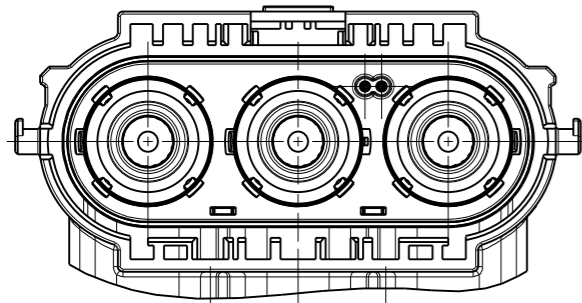


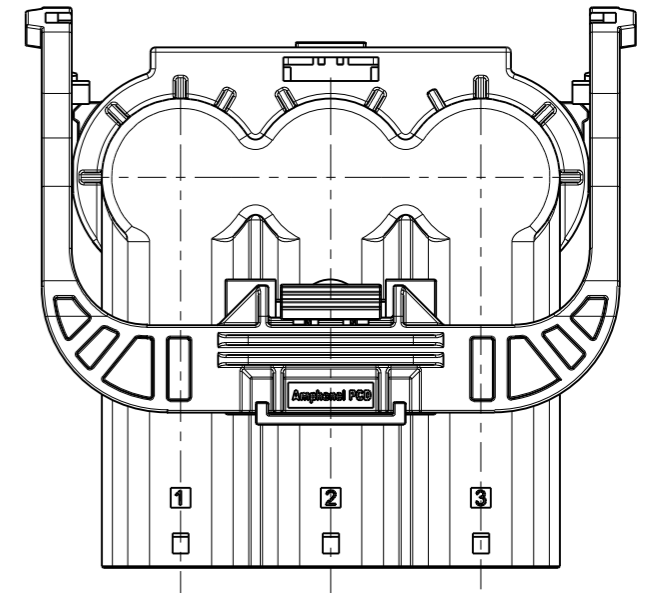
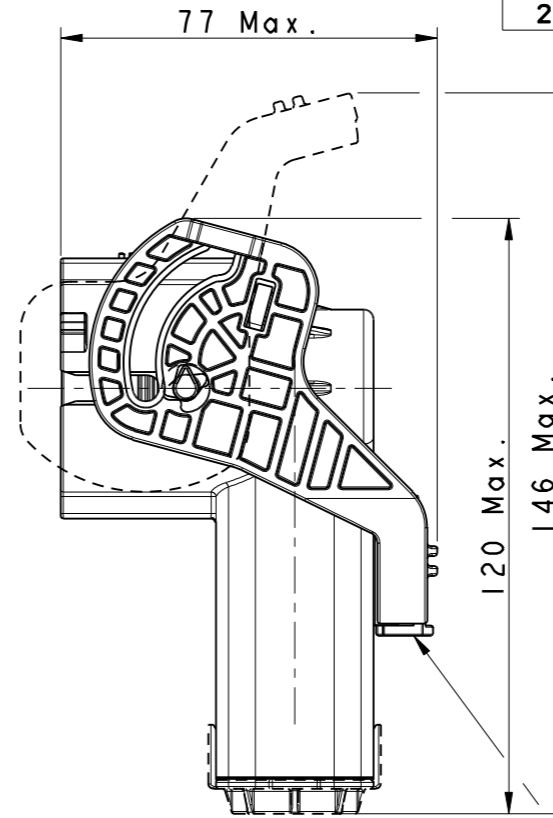
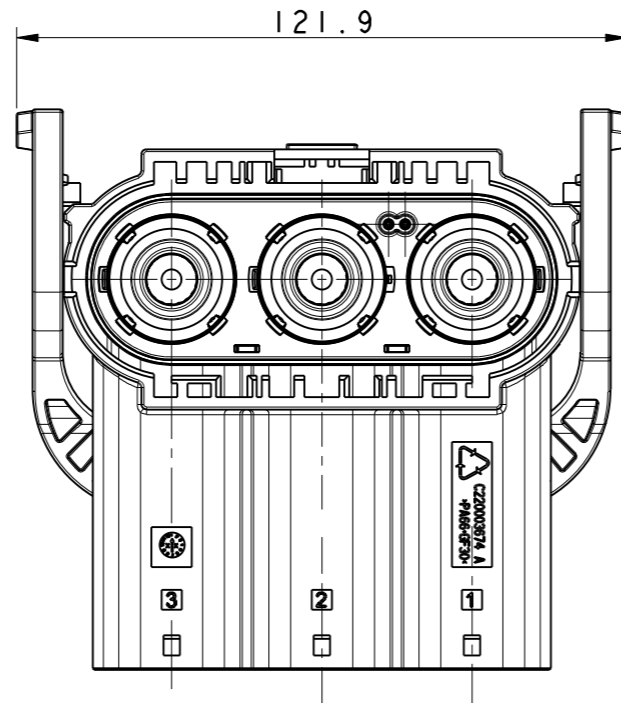
C-HVSL1000083X

CUSTOMER DRAWING

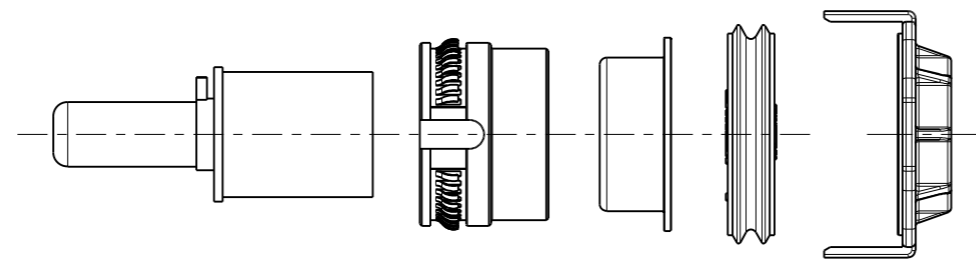


17.50 17.50

HVSL 1000 08 3 A
CODING A



DELIVERY
CONDITION: CPA ON
LOCKED POSITION



KIT OF PIN and ACCESSORIES

- P/N: C4220036031 -- 70 mm² WIRE OD=19.0 ± 0.7MM
- C4220036032 -- 50 mm² WIRE OD=16.5 ± 0.4MM
- C4220036033 -- 35 mm² WIRE OD=14.2 ± 0.4MM
- C4220036034 -- 25 mm² WIRE OD=11.9 ± 0.3MM

NOTES:

1. MATERIAL & FINISH:
PLASTIC BODY: THERMOPLASTICS UL 94V-0 ORANGE COLOR
SOCKET CONTACT: COPPER ALLOY SILVER PLATED
SHIELDING: COPPER ALLOY TIN PLATED
FERRULE: ALUMINIUM ALLOY
CABLE SEAL: SILICONE RUBBER
2. ELECTRICAL CHARACTERISTICS:
HIGH VOLTAGE RATED 1000 V DC MAX.
CURRENT RATED 250 A MAX.
WITHSTANDING VOLTAGE 3000 V AC
PRODUCTS ARE COMPLIANCE WITH EN 60664-1 POLLUTION II
3. ENVIROMENT CHARACTERISTICS:
IP67 IP6K9K RATED (WHEN MATING)
IP2XB RATED FOR FINGER TOUCH-PROOF
4. DELIVERY WITHOUT PIN CONTACT AND ACCESSORIES. THE PIN CONTACT AND ACCESSORIES SHOULD BE ORDERED SEPARATELY.
5. SEE APCD-TD-118 FOR ASSEMBLY INSTRUCTION.

C-HVSL1000083X

C-HVSL1000083X

DIMENSIONS ANSI Y14.5M UNITS: MM Pro/E FILE	TOLERANCES .X ±0.3 .XX ±0.10 ANGLES ±2.0°	PROJECTION 	TITLE Amphenol Pcd Shenzhen		
			ENGR Robin Yuan	15/09/15	
ORIGINAL NOT FOR CUSTOMER DISTRIBUTION	THIS DOCUMENT CONTAINS PROPRIETARY INFORMATION WHICH IS THE CONFIDENTIAL PROPERTY OF AMPHENOL PCD SHENZHEN		SIZE A3	DWG NO. C-HVSL1000083X	REV 2
			CODE: 58982	SCALE: 7:10	SHEET 1 OF 1

REV	ECN	DESCRIPTION	DATE	MODIFIED
1		PRE-RELEASE	15/07/14	Eric Zhou
2		ADD WIRE DIAMETER	15/09/15	Robin Yuan