

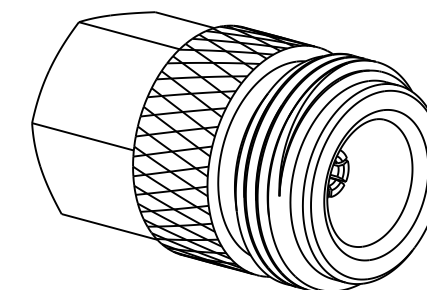
NOTES:

1. MATERIALS AND FINISHES:
 BODY - BRASS, NICKEL PLATING
 CONTACT - BeCu, GOLD PLATING
 INSULATOR - PTFE, NATURAL
 CAP - PHOS. BRONZE, NICKEL PLATING
2. ELECTRICAL:
 A. IMPEDANCE: 50 OHM
 B. FREQUENCY RANGE: DC - 18 GHz
 C. VSWR(RETURN LOSS): 1.15 (-23 dB) MAX. DC-8 GHz
 1.20 (-20 dB) MAX. 8-18 GHz
 D. AVG. POWER: 2 WATTS (POWER DERATED LINEARLY FROM 20°C TO 1 WATT AT 125°C)
 E. PEAK POWER: 200 WATTS (PEAK POWER FOR 1% DUTY CYCLE OF 0.005 MAX. PULSE DURATION OF 5 MICROSECONDS)
3. MECHANICAL:
 A. DURABILITY: 500 CYCLES MIN.
 B. TEMPERATURE RANGE: -65° C TO 165° C
4. PACKAGING:
 A. QUANTITY: SINGLE PACK
 B. MARKING: PACKAGING TO BE MARKED "AMPHENOL RF, 82-6693 & DATE CODE"

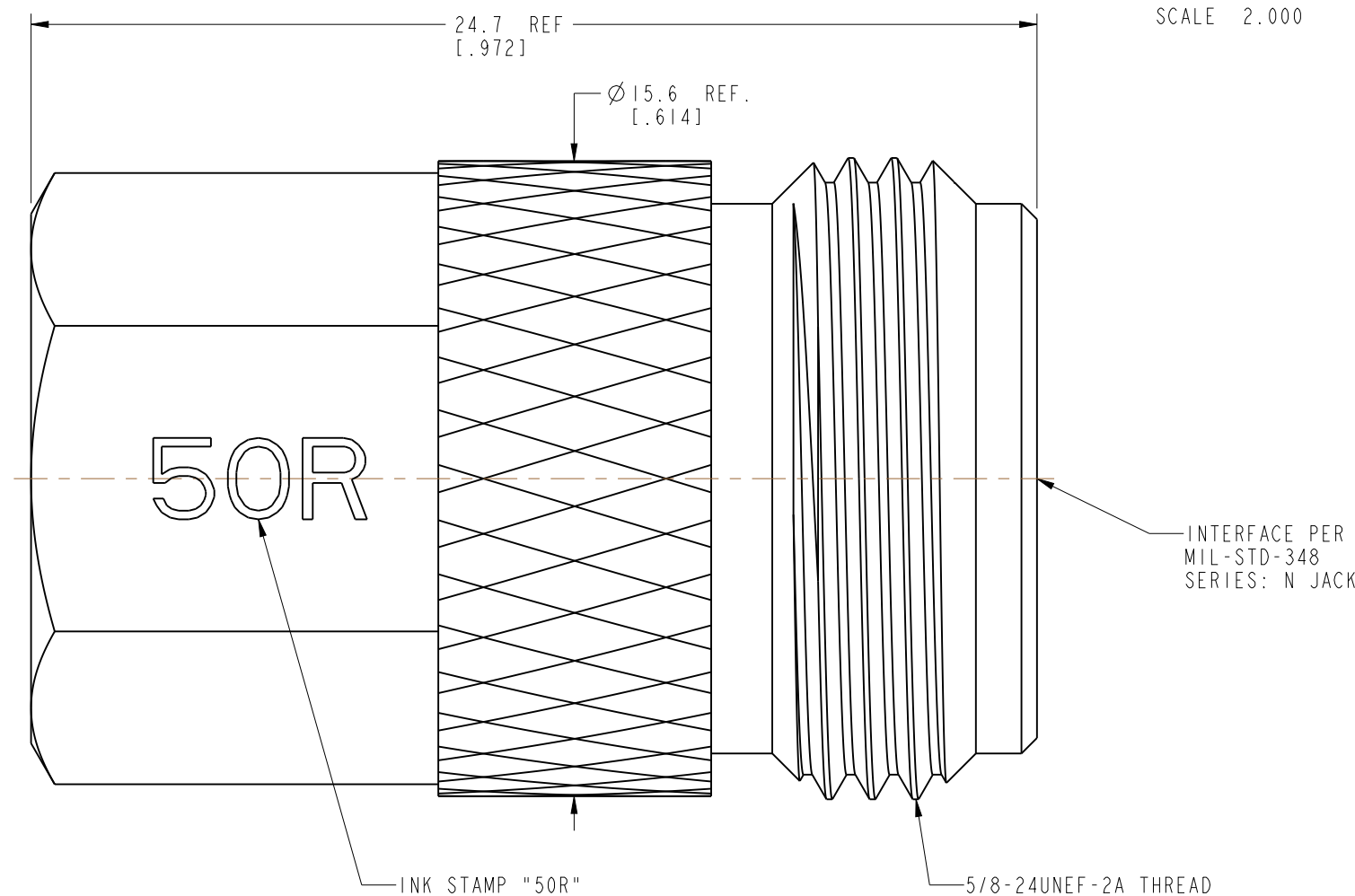
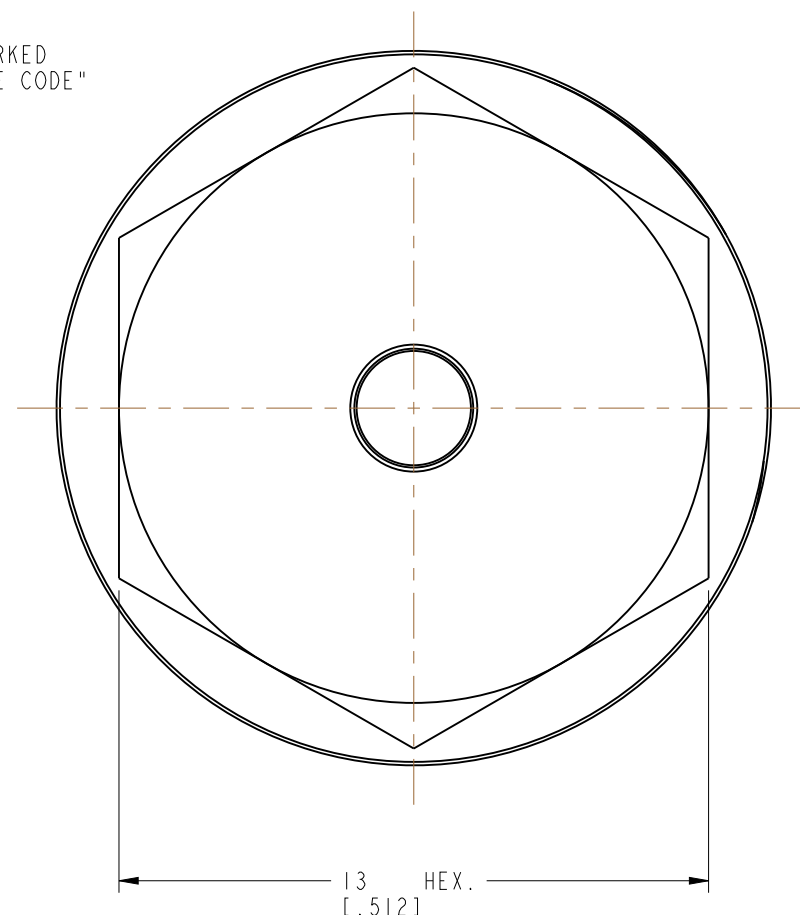
THIRD ANGLE PROJ.

REVISIONS

REV	DESCRIPTION	DATE	ECN	APPR
A	RELEASE TO MANUFACTURING	06-May-19	11422	CJV



SCALE 2.000



CUSTOMER OUTLINE DRAWING

ALL OTHER SHEETS ARE FOR INTERNAL USE ONLY

UNLESS OTHERWISE SPECIFIED, DIMENSIONS ARE IN METRIC AND TOLERANCES ARE: <0.5mm ±0.05mm 0.5 - 6mm ±0.1mm 6 - 30mm ±0.2mm 30 - 120mm ±0.3mm ANGLES ±1°	MATERIAL	DRAWN	DATE	TITLE		Amphenol RF www.amphenolrf.com
	SEE NOTES	C. VIGORITO	25-Jan-19	TERMINATION JACK		
NOTICE - These drawings, specifications, or other data (1) are, and remain the property of Amphenol corp. (2) must be returned upon request; and (3) are confidential and not to be disclosed to any person other than those to whom they are given by Amphenol Corp. the furnishing of these drawings, specifications, or other data by Amphenol Corp., or to any other person to anyone for any purpose is not to be regarded by implication or otherwise in any manner licensing, granting rights to permitting such holder or any other person to manufacture, use or sell any product, process or design, patented or otherwise, that may in any way be related to or disclosed by said drawings, specifications, or other data.	REFERENCE	ENGINEER	DATE	18 GHz TYPE N		DRAWING NO. 82-6693
	EAR# 8746	C. VIGORITO	25-Jan-19	2 WATTS		ITEM NO. 82-6693
	REF: ---	APPROVED	DATE	SCALE: 6.0:1.0 SHEET 2 OF 2		PART NO. 82-6693
	CONFIGURATION LEVEL: In Work	K. CAPOZZI	06-May-19	CAD FILE	DWG SIZE B	REV A
FINISH						