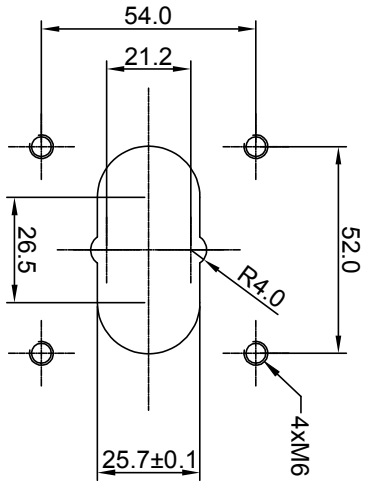
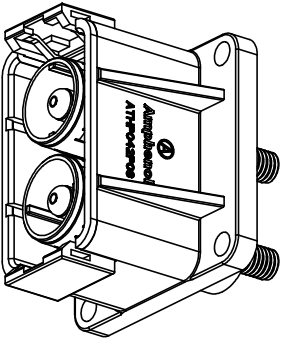
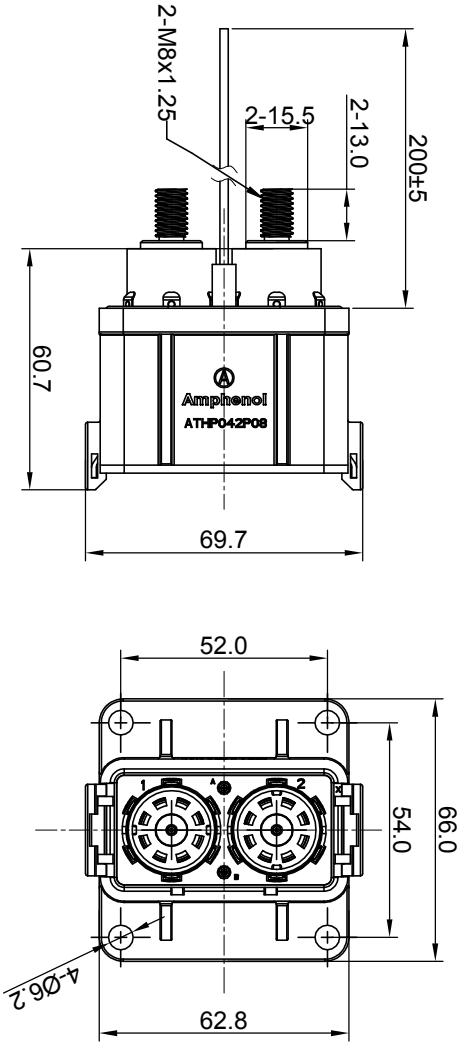


| REVISIONS |     |                     |           |             |
|-----------|-----|---------------------|-----------|-------------|
| REV       | ECO | DESCRIPTION         | DATE      | BY APPR     |
| A1        | -   | RELEASE NEW DRAWING | Dec.12.18 | Blink Tommy |



**RECOMMEND PANEL CUT**

NOTES: UNLESS OTHERWISE SPECIFIED

- MATERIAL:
  - 1.1 HOUSING: THERMOPLASTIC UL 94V0
  - 1.2 SEAL: SILICONE RUBBER
  - 1.3 POWER CONTACT: COPPER ALLOY, SILVER PLATED
  - 1.4 SHIELDING: COPPER ALLOY, TIN PLATED

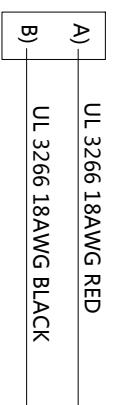
2. SPECIFICATIONS:

- 2.1 CURRENT RATING: 180 AMPS
- 2.2 VOLTAGE RATING: 1000 V AC/DC
- 2.3 CONTACT RESISTANCE: 0.3 mΩ@POWER CONTACT
- 2.4 OPERATING TEMPERATURE: -40°C TO +130°C
- 2.5 DIELECTRIC WITHSTANDING VOLTAGE: LESS THAN 2 MILLIAMPS CURRENT LEAKAGE @ 3000 VOLTS AC.
- 2.6 INSULATION RESISTANCE: 500 MEGOHMS MIN@25°C.
- 2.7 DEGREE OF PROTECTION: IP67 (MATED CONDITION)
- 2.8 MATING CYCLE DURABILITY: 100 CYCLES
- 2.9 ROHS COMPLIANT

- SIGNAL CONTACT: RT SERIES 16# PIN CONTACT
- POWER CONTACT: SC000384-8-M1

4. ALL DIMENSIONS ARE FOR REFERENCE USE ONLY.

Wiring Diagram



| QUANTITY                            | PART NUMBER | DESCRIPTION | ITEM |
|-------------------------------------|-------------|-------------|------|
| <b>MATERIALS LIST</b>               |             |             |      |
| UNLESS OTHERWISE SPECIFIED          |             |             |      |
| 1) All dimensions are in metric/mm. |             |             |      |
| 2) Dimensions are in inches.        |             |             |      |
| 3) PL, DEC 30/18                    |             |             |      |
| 4) PL, DEC 30/18                    |             |             |      |
| 5) Note reference = X               |             |             |      |
| MATERIAL SPECIFICATIONS:            |             |             |      |
| CUSTOMER: Tommy Dec.12.18           |             |             |      |
| APPROVAL: Tommy Dec.12.18           |             |             |      |
| ENGINEER: Ttd Dec.12.18             |             |             |      |
| CHECKED: Btk Dec.12.18              |             |             |      |
| DRAWN: Btk Dec.12.18                |             |             |      |
| DATE: Dec.12.18                     |             |             |      |
| SIGNATURES                          |             |             |      |
| PROCESS SPECIFICATIONS:             |             |             |      |
| NEXT ASSY:                          |             |             |      |
| SCALE: NONE                         |             |             |      |
| SHEET 1 OF 1                        |             |             |      |

**Amphenol**

Site Systems - www.amphenol-site.com  
44124 Moley Drive  
Clinton Township, MI 48036

ATHP, RECEPTACLE, 2 PIN, 3MM  
FLANG MOUNTING WITH EMC SHIELDING

|      |      |                   |          |
|------|------|-------------------|----------|
| SIZE | TYPE | DWG NO.           | REVISION |
| B    | C-   | ATHP042P08EL16-M1 | A1       |