

REVISIONS					
REV	ECO	DESCRIPTION	DATE	BY	APPR
A1	-	RELEASE NEW DRAWING	22JUN18	SULLEN	TOMMY
A2	-	UPDATE DRAWING	18MAR19	SULLEN	TOMMY

NOTES: UNLESS OTHERWISE SPECIFIED

- MATERIAL:**
HOUSING: THERMOPLASTIC, GRAY
SEAL: SILICONE RUBBER
- MODIFICATIONS:** LIGHT EMITTING DIODE (GREEN), STRAIN RELIEF END CAP, REVERSE VOLTAGE PROTECTION CIRCUIT (RVPC).
- CONNECTOR SPECIFICATIONS:**
 - CURRENT RATING: 13 AMPS
 - DIELECTRIC WITHSTANDING VOLTAGE: LESS THAN 2 MILLIAMPS CURRENT LEAKAGE @ 1500 VOLTS AC.
 - INSULATION RESISTANCE: 1000 MEGOHMS MIN @ 25°C.
 - MOISTURE RESISTANCE: IP67 (MATED CONDITION)
 - MATING CYCLE DURABILITY: 100 CYCLES
 - ROHS COMPLIANT
- LED SPECIFICATIONS:**
 - FORWARD CURRENT: 30 MILLIAMPS TYPICAL; 100 MILLIAMPS MAXIMUM
 - REVERSE CURRENT: 50 MICROAMPS MAXIMUM
 - POWER DISSIPATION: 120 MILLIWATTS MAXIMUM
 - FORWARD VOLTAGE: 4 VOLTS MAXIMUM
 - REVERSE VOLTAGE: 5 VOLTS MAXIMUM
- RESISTANCE SPECIFICATIONS:**
 - RESISTANCE VALUE (R1): 330 OHMS;
 - RESISTANCE VALUE (R2): 0 OHMS;
 - POWER RATING: 1/8 WATTS
 - MAX.WORKING VOLTAGE: 150 VOLTS
- SUPPRESSOR DIODE SPECIFICATIONS:**
 - STAND-OFF VOLTAGE: 14 VOLTS;
 - MAX. FORWARD CURRENT: 5µA @ 14V
 - PEAK PULSE POWER DISSIPATION: 400 WATTS
- MATING PART:** AT04-2P* RECEPTACLE
(* = MODIFICATIONS AND COLORS)
- ALL DIMENSIONS ARE FOR REFERENCE USE ONLY.

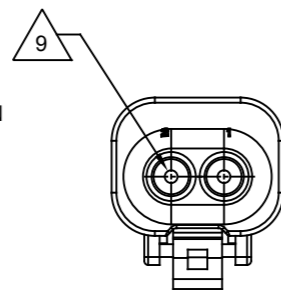
9 CONTACT SIZE AND REAR SEAL WIRE RANGE:

REDUCED DIAMETER SEAL:

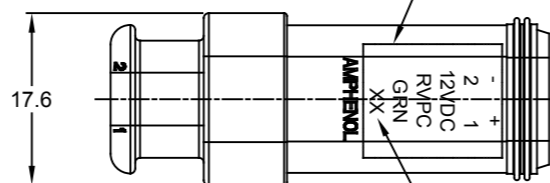
CONTACT SIZE	MIN. INSUL O.D.	MAX. INSUL O.D.	TYPICAL WIRE RANGE
16	1.35 mm (.053 in)	3.05 mm (.120 in)	14 - 20 AWG

STANDARD SEAL:

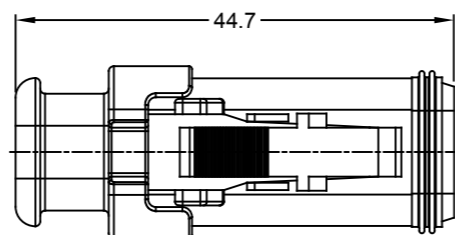
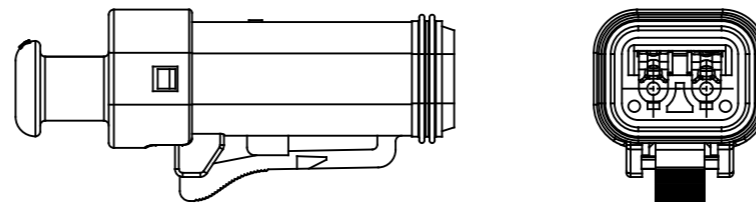
CONTACT SIZE	MIN. INSUL O.D.	MAX. INSUL O.D.	TYPICAL WIRE RANGE
16	2.24 mm (.088 in)	3.68 mm (.145 in)	14 - 20 AWG



LASER ENGRAVE POLARITY, CONTACT NUMBER, VOLTAGE, SEAL TYPE, SPECIAL CIRCUIT TYPE (RVPC), AND LED COLOR CODE AS SHOWN IN THIS AREA.

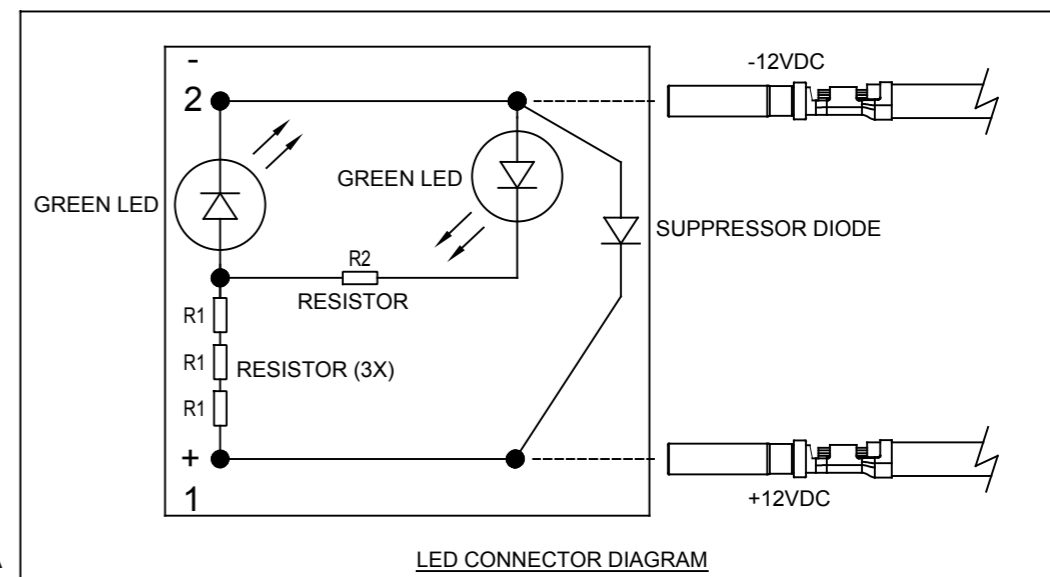
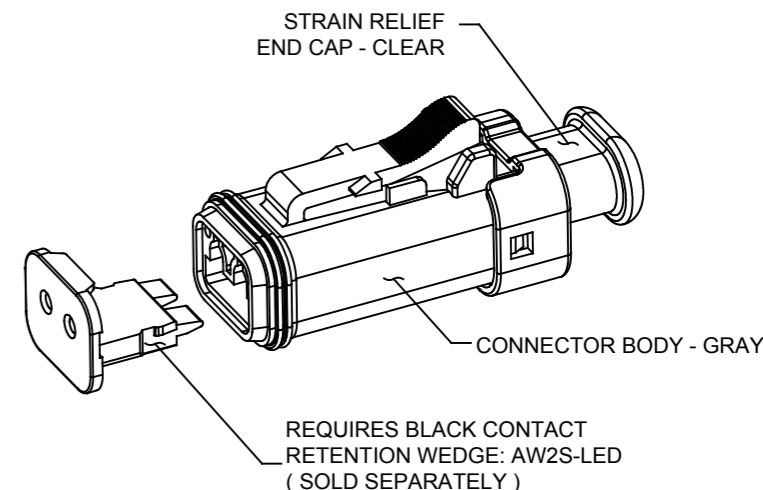


SEE PART NUMBER CHART BELOW.
XX = SEAL CODE. RD IF REDUCED DIA.,
BLANK IF STANDARD SEAL.



COMPONENT TYPES:
R2 RESISTOR: TYPE 0805, R0Ω, 1/8W
SMD LED: KPA-1606ZGC-G
R1 RESISTOR: TYPE 0805, R330Ω, 1/8W
SMD T.V.S. DIODE: 400W, 14V, P4SMAJ14CA

PART NUMBER CHART	
SEAL	PART NUMBER
STANDARD	AT06-2S-LED12V01
REDUCED DIAMETER	AT06-2S-LED12VR1



QUANTITY	SEE PN CHART	DESCRIPTION	ITEM
	PART NUMBER		
MATERIALS LIST			
UNLESS OTHERWISE SPECIFIED: 1) All dimensions are in metric(mm). 2) Tolerances are as follows: 1 PL DEC ±0.30 2 PL DEC ±0.15 3 PL DEC ±0.08 3) Note reference =		SIGNATURES	DATE
		DRAWN: SULLEN,ZHANG	18MAR19
		CHECKED: ORION,LI	18MAR19
		ENGINEER:	
		APPROVAL: TOMMY,XIE	18MAR19
		CUSTOMER:	
MATERIAL SPECIFICATIONS:		<p style="text-align: center;">Amphenol</p> <p style="text-align: center;">Sine Systems - www.amphenol-sine.com 44724 Morley Drive Clinton Township, MI 48036</p>	
PROCESS SPECIFICATIONS:			
NEXT ASSY:		<p style="text-align: center;">AT SERIES, 2-WAY, PLUG, LED, 12V CLEAR CAP, GRAY, RVP CIRCUIT</p>	
		SIZE	REVISION
		B C-	A2
		SCALE: NONE	SHEET 1 OF 1

TITLE: AT SERIES, 2-WAY, PLUG, LED, 12V, CLEAR CAP, GRAY, RVP CIRCUIT
DWG NO: AT06-2S-LED12VX1
REV: A2
SH: 1
OF: 1