

REVISIONS					
REV	ECO	DESCRIPTION	DATE	BY	APPR
A1	-	RELEASE NEW DRAWING	22JUN18	SULLEN	TOMMY
A2	-	UPDATE DRAWING	18MAR19	SULLEN	TOMMY

NOTES: UNLESS OTHERWISE SPECIFIED

- MATERIAL:  
HOUSING: THERMOPLASTIC, BLACK  
SEAL: SILICONE RUBBER
- MODIFICATIONS: LIGHT EMITTING DIODE (GREEN), STRAIN RELIEF END CAP, REVERSE VOLTAGE PROTECTION CIRCUIT (RVPC).
- CONNECTOR SPECIFICATIONS:
  - CURRENT RATING: 13 AMPS
  - DIELECTRIC WITHSTANDING VOLTAGE: LESS THAN 2 MILLIAMPS CURRENT LEAKAGE @ 1500 VOLTS AC.
  - INSULATION RESISTANCE: 1000 MEGOHMS MIN @ 25°C.
  - MOISTURE RESISTANCE: IP67 ( MATED CONDITION )
  - MATING CYCLE DURABILITY: 100 CYCLES
  - ROHS COMPLIANT
- LED SPECIFICATIONS:
  - FORWARD CURRENT: 30 MILLIAMPS TYPICAL; 100 MILLIAMPS MAXIMUM
  - REVERSE CURRENT: 50 MICROAMPS MAXIMUM
  - POWER DISSIPATION: 120 MILLIWATTS MAXIMUM
  - FORWARD VOLTAGE: 4 VOLTS MAXIMUM
  - REVERSE VOLTAGE: 5 VOLTS MAXIMUM
- RESISTANCE SPECIFICATIONS:
  - RESISTANCE VALUE (R1): 680 OHMS;
  - RESISTANCE VALUE (R2): 0 OHMS;
  - POWER RATING: 1/8 WATTS
  - MAX.WORKING VOLTAGE: 150 VOLTS
- SUPPRESSOR DIODE SPECIFICATIONS:
  - STAND-OFF VOLTAGE: 26 VOLTS;
  - MAX. FORWARD CURRENT: 5µA @ 26V
  - PEAK PULSE POWER DISSIPATION: 400 WATTS
- MATING PART: AT04-2P\* RECEPTACLE  
(\* = MODIFICATIONS AND COLORS )
- ALL DIMENSIONS ARE FOR REFERENCE USE ONLY.

9 CONTACT SIZE AND REAR SEAL WIRE RANGE:

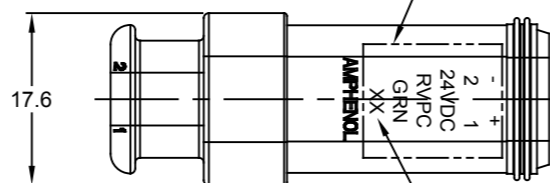
REDUCED DIAMETER SEAL:

CONTACT SIZE	MIN. INSUL O.D.	MAX. INSUL O.D.	TYPICAL WIRE RANGE
16	1.35 mm (.053 in)	3.05 mm (.120 in)	14 - 20 AWG

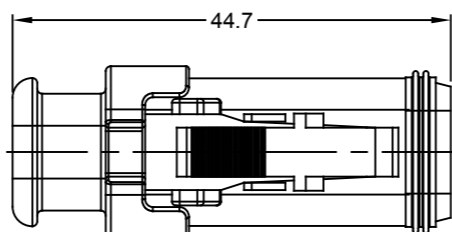
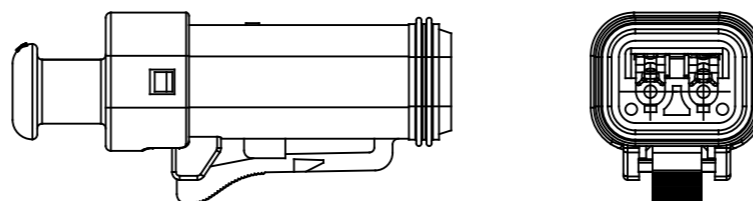
STANDARD SEAL:

CONTACT SIZE	MIN. INSUL O.D.	MAX. INSUL O.D.	TYPICAL WIRE RANGE
16	2.24 mm (.088 in)	3.68 mm (.145 in)	14 - 20 AWG

LASER ENGRAVE POLARITY, CONTACT NUMBER, VOLTAGE, SEAL TYPE, SPECIAL CIRCUIT TYPE (RVPC), AND LED COLOR CODE AS SHOWN IN THIS AREA.

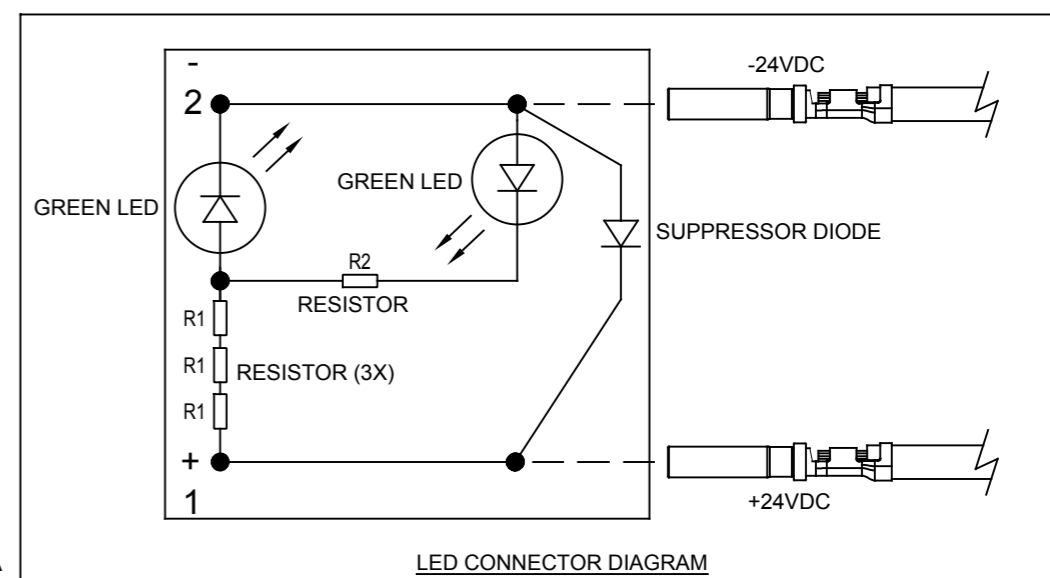
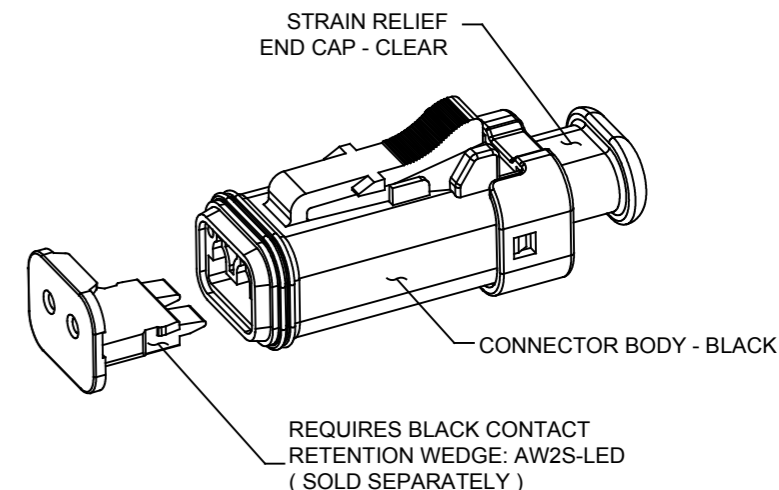


SEE PART NUMBER CHART BELOW.  
XX = SEAL CODE. RD IF REDUCED DIA.,  
BLANK IF STANDARD SEAL.



COMPONENT TYPES:  
R2 RESISTOR: TYPE 0805, R0Ω, 1/8W  
SMD LED: KPA-1606ZGC-G  
R1 RESISTOR: TYPE 0805, R680Ω, 1/8W  
SMD T.V.S. DIODE: 400W, 26V, P4SMAJ26CA

PART NUMBER CHART	
SEAL	PART NUMBER
STANDARD	AT06-2S-LED24V01
REDUCED DIAMETER	AT06-2S-LED24VR1



QUANTITY	SEE PN CHART	PART NUMBER	DESCRIPTION	ITEM
MATERIALS LIST				
UNLESS OTHERWISE SPECIFIED 1) All dimensions are in metric(mm). 2) Tolerances are as follows: 1 PL DEC ±0.30 Fractions ±1/64 2 PL DEC ±0.15 Angles ±1° 3 PL DEC ±0.08				
SIGNATURES		DATE		
DRAWN: SULLEN,ZHANG		18MAR19		
CHECKED: ORION,LI		18MAR19		
ENGINEER:				
APPROVAL: TOMMY,XIE		18MAR19		
CUSTOMER:				
MATERIAL SPECIFICATIONS:				
PROCESS SPECIFICATIONS:				
NEXT ASSY:				
THIS DRAWING IS SUPPLIED FOR INFORMATION ONLY. DESIGN FEATURES, SPECIFICATIONS AND PERFORMANCE DATA SHOWN HEREON ARE THE PROPERTY OF THE AMPHENOL CORPORATION. NO RIGHTS OF REPRODUCTION ARE IMPLIED. ALL DIMENSIONS ARE SUBJECT TO NORMAL MANUFACTURING VARIATIONS.				
Sine Systems - www.amphenol-sine.com 44724 Morley Drive Clinton Township, MI 48036		AT SERIES, 2-WAY, PLUG, LED, 24V CLEAR CAP, BLACK, RVP CIRCUIT		
SIZE	TYPE	DWG NO:	REVISION	
B	C-	AT06-2S-LED24VX1	A2	
SCALE: NONE		SHEET 1 OF 1		

TITLE: AT SERIES, 2-WAY, PLUG, LED, 24V CLEAR CAP BLACK RVP CIRCUIT  
DWG NO: AT06-2S-LED24VX1  
REV: A2  
SH: 1  
OF: 1