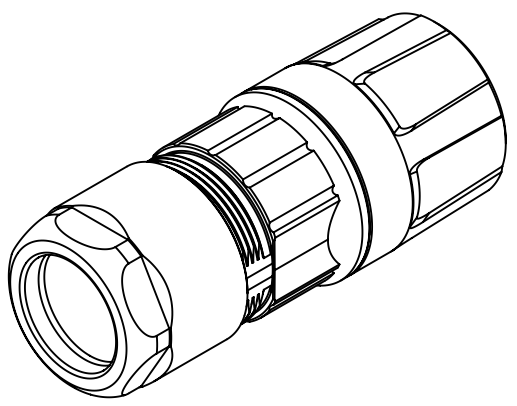
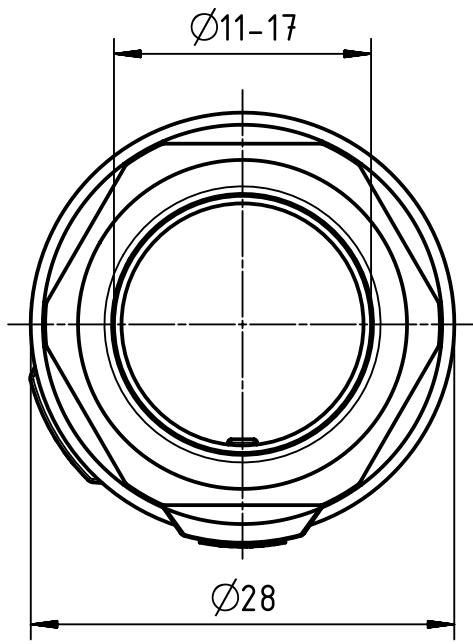
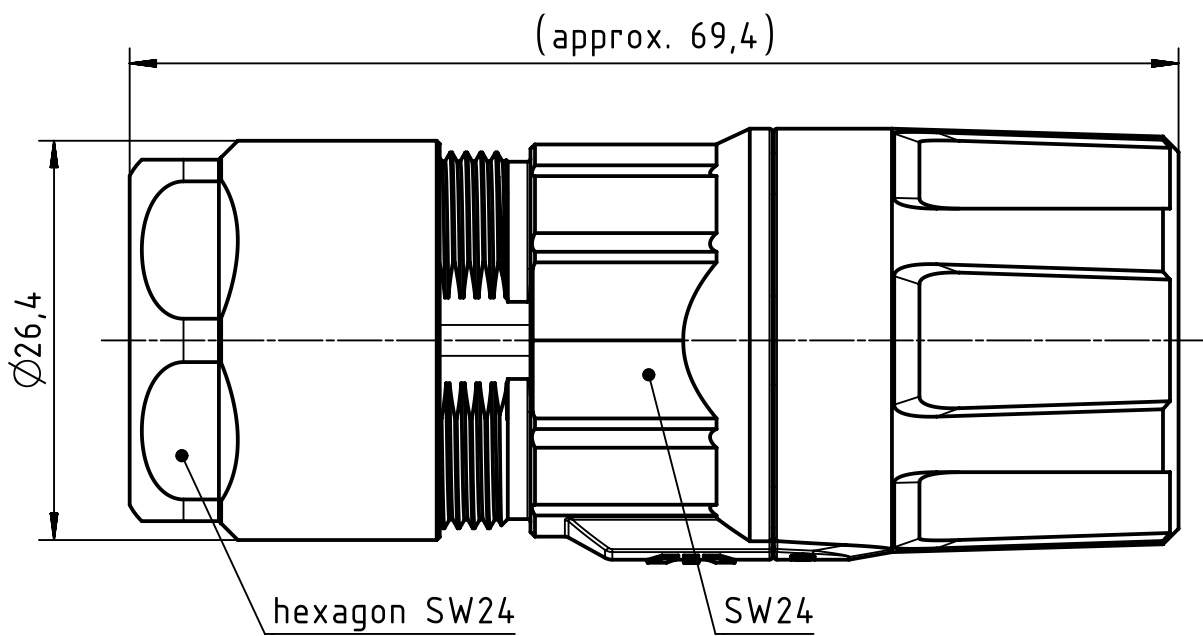



1 2 3 4 5 6

A
B
C
D



	All rights reserved Department EL PD - DE	All Dimensions in mm Original Size DIN A4		Scale 2:1	Free size tol.	Ref.	
		Created by HELLMANN	Inspected by RIEPE	Standardisation TIEMANNA	Date 2017-09-12	State Final Release	
HARTING Electric GmbH & Co. KG D-32339 Espelkamp		Title Han M23 ComLock-S Hood 11-17 mm				Doc-Key / ECM-Nr. 100736338/UGD/000/A 500000124813	
		Type TB	Number 09 15 100 0483			Rev. A	Page 1/1