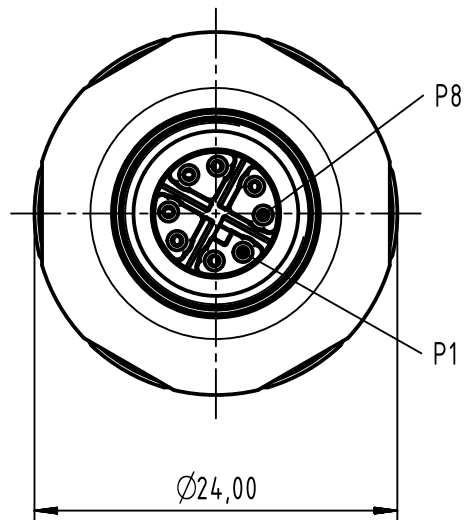


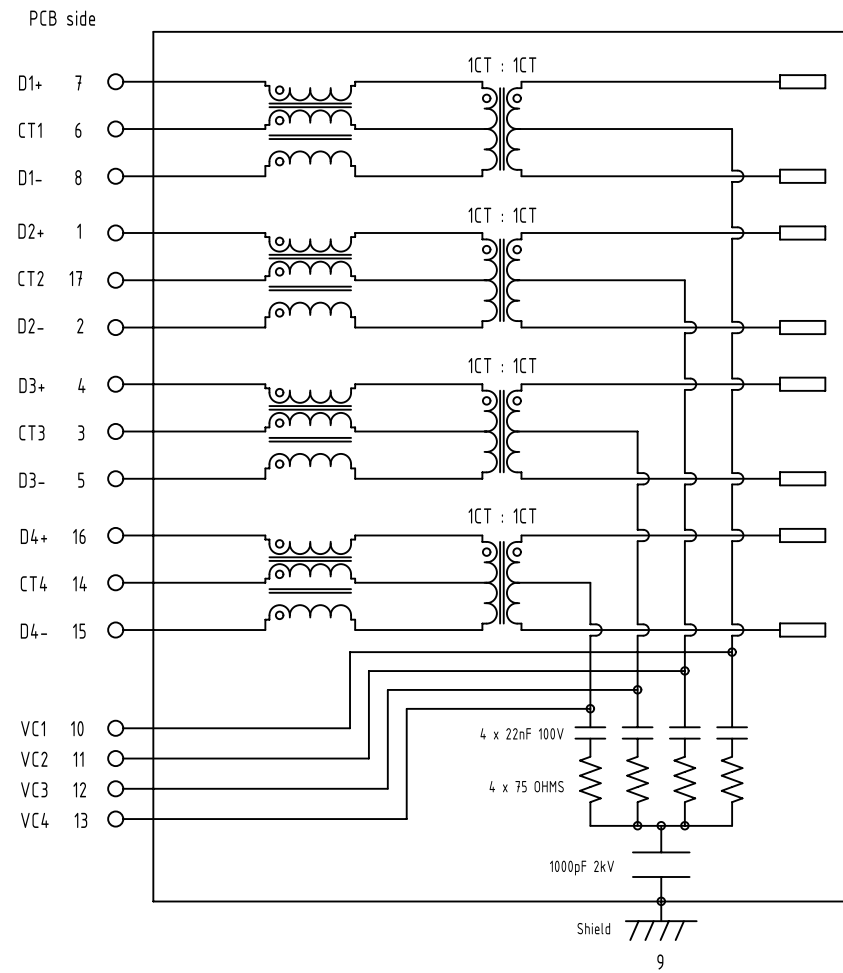
mating face based on
IEC 61076-2-109



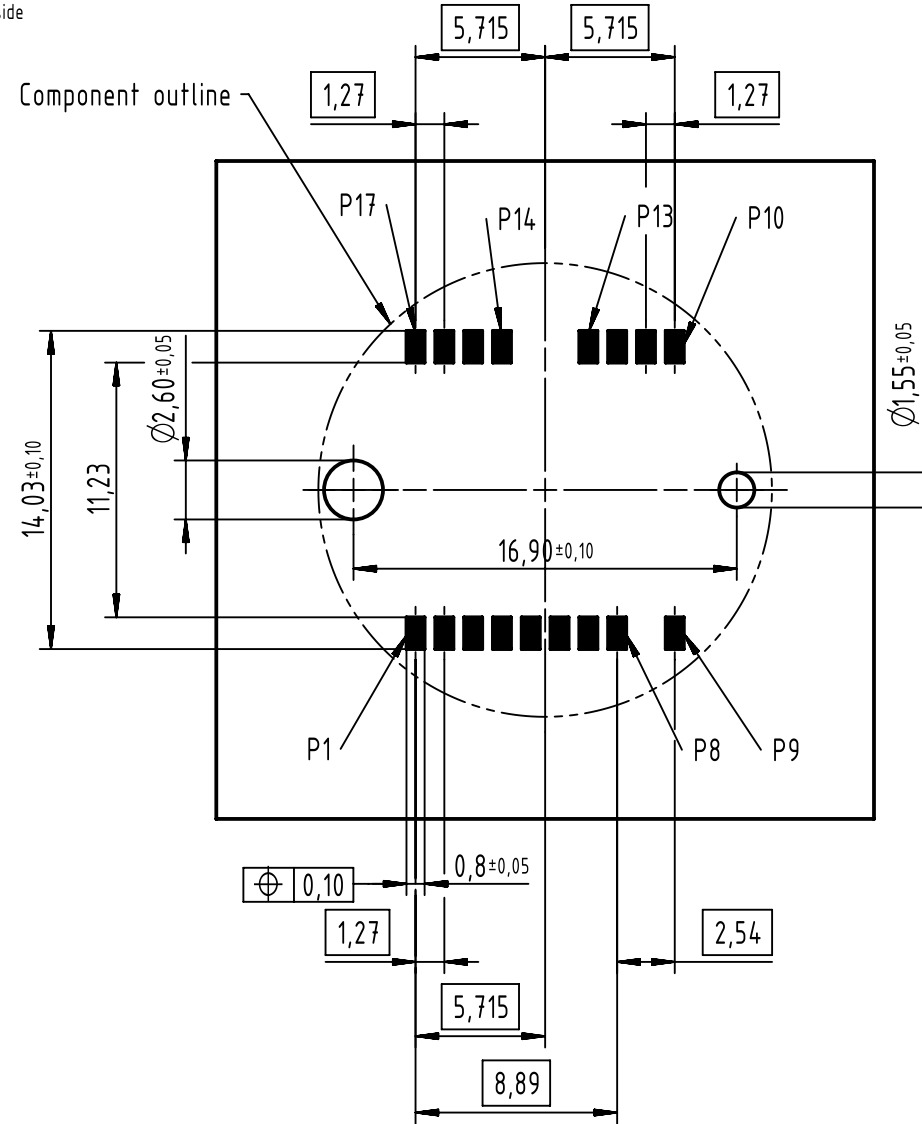
1 PC Packaging
 Content: 1 x 21033812817
 M12 transformer straight X-coded 1G BASE-T
 1 x 21033012006
 Front mounting kits

	All rights reserved Department EC PD - CN HARTING Electronics GmbH D-32339 Espelkamp	All Dimensions in mm Original Size DIN A3		Scale 2:1	Free size tol.	Ref. Sub.
		Created by CHENSK	Inspected by CHENSK	Standardisation HOFFMANN	Date 2017-03-06	State Final Release
Title M12 WITH MAGNETICS X-CODED STRAIGHT POE+ 1GB					Doc-Key / ECM-Nr. 100693027/UGD/004/A 500000115875	
Type TB		Number 21033812824			Rev. A	Page 1/2

Schematic



Recommended PCB layout



Electrical Characteristics @+25°C unless otherwise noted
 Meets IEEE802.3 specification
 RoHS compliant

Parameter	Specification/ Limit Values	
Operating Temperature	-40°C - +85°C	
Turn Ratio (+/- 2%)	1CT : 1CT	
Current Capacity Pins 1-8/ VC1-VC4	750mA DC	
OCL	min 350µH @ 100KHz , 100mV with 8mA bias current	
Isolation (Input- Output)	1.5kV VAC RMS , for 60sec. min	
Insertion Loss	f ≤ 0.3MHz	0.3MHz < f ≤ 100MHz
	-3dB max	-0.6-0.002*f ^{1.25}
Return Loss	f ≤ 10MHz	10MHz < f ≤ 100MHz
	-19dB min	-19+10*log (f/10)
Crosstalk	f ≤ 10MHz	10MHz < f ≤ 100MHz
	-40dB min	-40+10*log(f/10)
CMRR	f ≤ 10MHz	10MHz < f ≤ 100MHz
	-40dB min	-40+20*log (f/10)
CDMR	f ≤ 10MHz	10MHz < f ≤ 100MHz
	-45dB min	-45+18*log (f/10)

NOTE: f is the frequency in MHz

	All rights reserved		Scale 1:1		Free size tol.		Ref.	
	Department EC PD - CN		Created by CHENSK	Inspected by CHENSK	Standardisation HOFFMANN	Date 2017-03-06	State Final Release	
HARTING Electronics GmbH		Title M12 WITH MAGNETICS X-CODED STRAIGHT POE+ 1GB				Doc-Key / ECM-Nr. 100693027/UGD/004/A 500000115875		Page 2/2
D-32339 Espelkamp		Type TB	Number 21033812824		Rev. A			