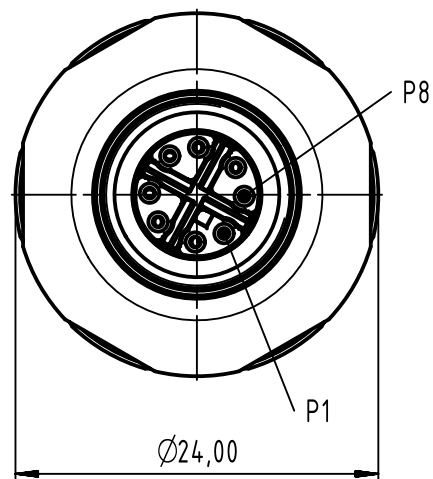
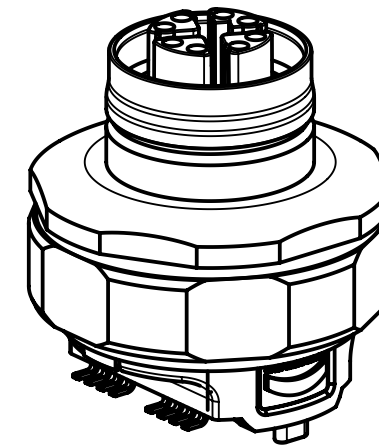
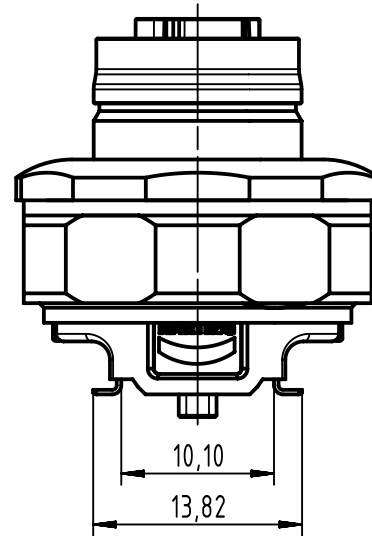


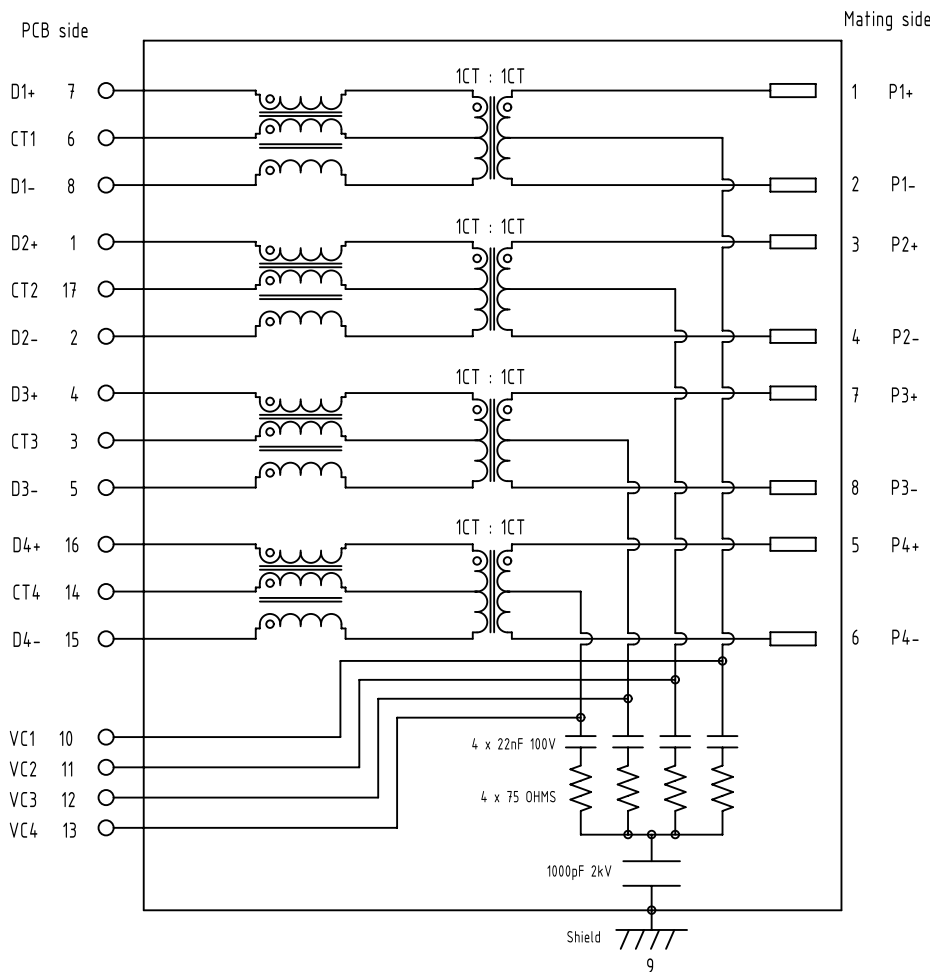
mating face based on
IEC 61076-2-109



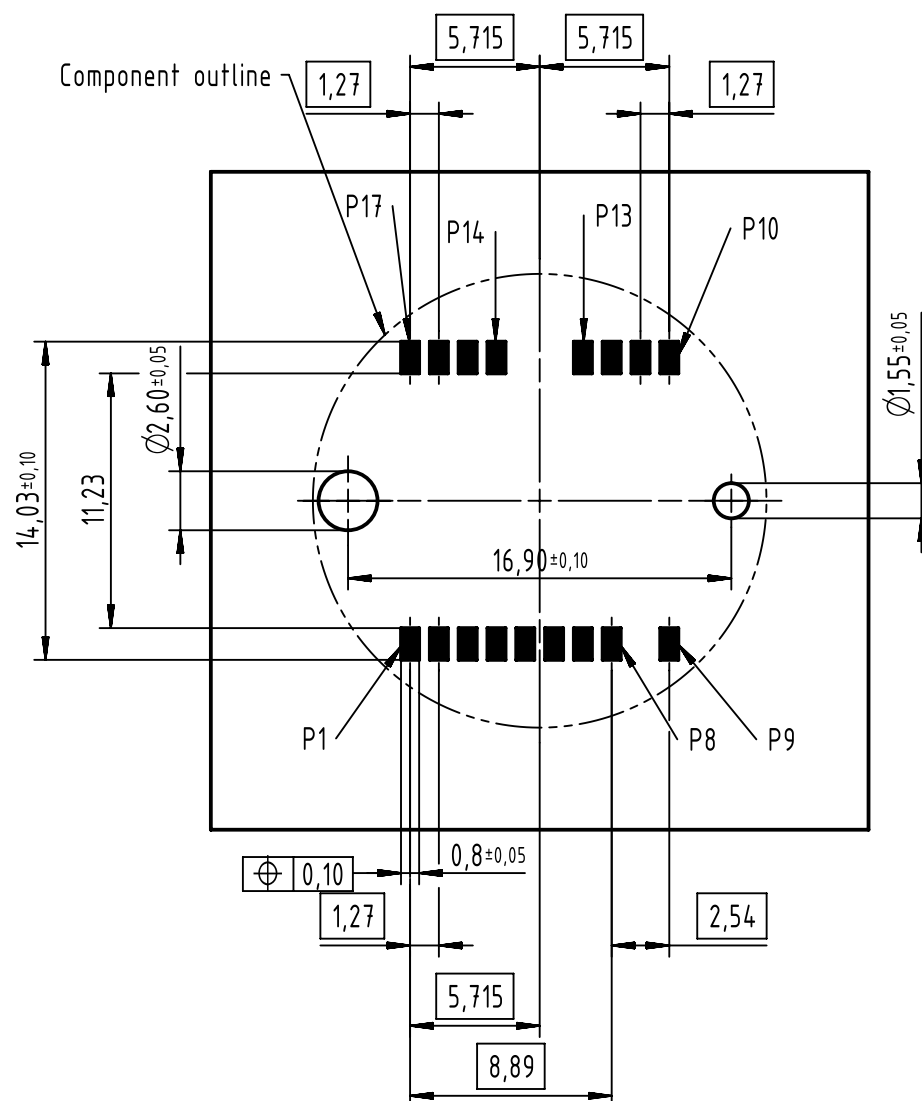
1 PC Packaging
Content: 1 x 21033812823
M12 transformer straight X-coded 10G BASE-T
1 x 21033012006
Front mounting kits

	All rights reserved Department EC PD - CN	All Dimensions in mm Original Size DIN A3			Scale 2:1	Free size tol.	Ref. Sub.
		Created by CHENSK	Inspected by CHENSK	Standardisation HOFFMANN	Date 2017-03-06	State Final Release	
HARTING Electronics GmbH D-32339 Espelkamp		Title M12 WITH MAGNETICS X-CODED STRAIGHT POE+ 10GB				Doc-Key / ECM-Nr. 100684225/UGD/004/A 500000115875	
		Type TB	Number 21033812825			Rev. A	Page 1/2

Schematic



Recommended PCB layout



Electrical Characteristics @+25°C unless otherwise noted
 Meets IEEE802.3 specification
 RoHS compliant

Parameter	Specification/ Limit Values	
Operating Temperature	-40°C - +85°C	
Turn Ratio (+/- 2%)	1CT : 1CT	
Current Capacity Pins 1-8/ VC1-VC4	750mA	
OCL	min 120µH @ 100KHz , 100mV with 18mA bias current	
Isolation (Input- Output)	1.5kV VAC RMS , for 60sec. min	
Insertion Loss	f ≤ 0.3MHz	0.3MHz < f ≤ 500 MHz
	-3dB max	-0.7-0.001*f ^{1.25}
Return Loss	f ≤ 40MHz	40MHz < f ≤ 350MHz
	-19dB min	-19+18*log (f/39) -5+18*log (f/500)
Crosstalk	f ≤ 20MHz	20MHz < f ≤ 500Mhz
	-45dB min	-45+15*log(f/20)
CMRR	f ≤ 20Mhz	20MHz < f ≤ 500Mhz
	-40dB min	-40+10*log (f/20)
CDMR	f ≤ 20Mhz	20MHz < f ≤ 500Mhz
	-45dB min	-45+12*log (f/18)

NOTE: f is the frequency in MHz

All rights reserved Department EC PD - CN HARTING Electronics GmbH D-32339 Espelkamp	All Dimensions in mm Original Size DIN A3	Scale 2:1 Free size tol.	Ref. Sub.
	Created by CHENSK Inspected by CHENSK Standardisation HOFFMANN Date 2017-03-06 State Final Release	Title M12 WITH MAGNETICS X-CODED STRAIGHT POE+ 10GB Type TB Number 21033812825	Doc-Key / ECM-Nr. 100684225/UGD/004/A 500000115875 Rev. A Page 2/2