

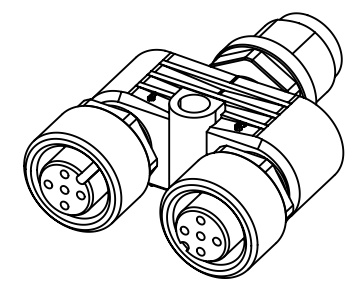
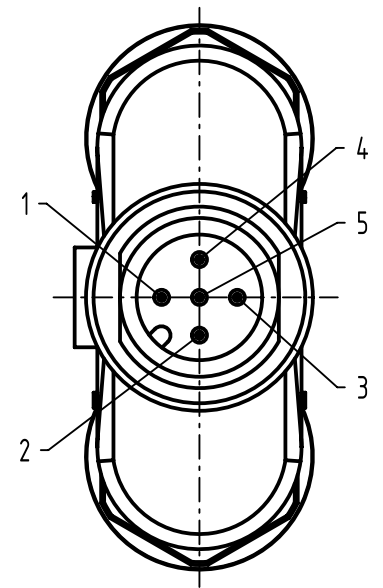
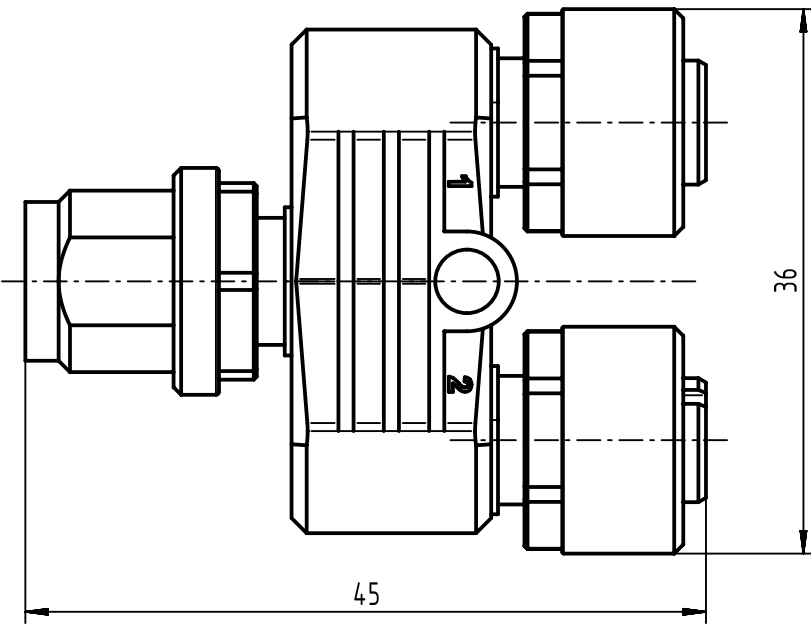
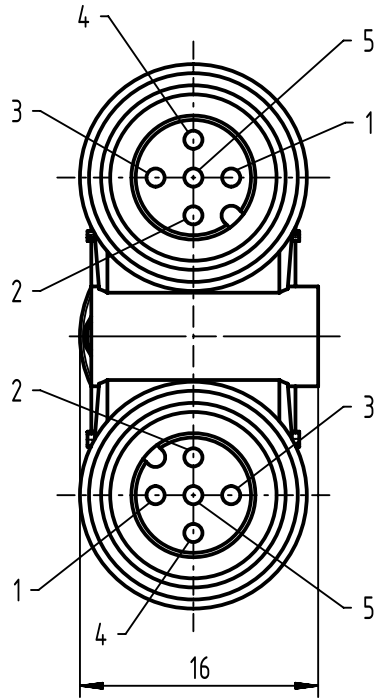
1 2 3 4 5 6

A

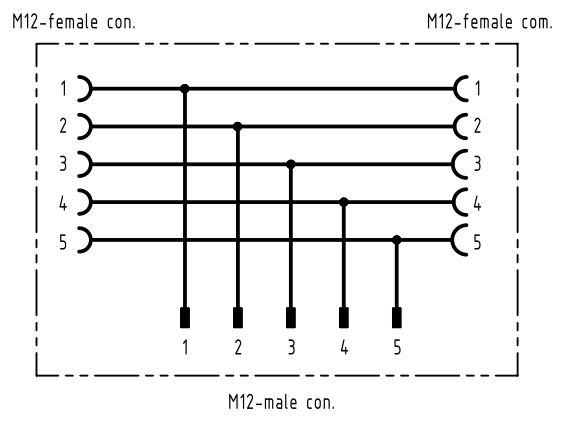
B


C

D



schematic diagram



	All rights reserved Department EL PD	All Dimensions in mm Original Size DIN A4		Scale 2:1	Free size tol. ISO 2768-m	Ref. Sub.	
		Created by EISFELD	Inspected by HAEMMERLING	Standardisation HOFFMANN	Date 2019-05-14	State Final Release	
HARTING Electronics GmbH D-32339 Espelkamp		Title HARTING M12 T-coupler			Doc-Key / ECM-Nr. 100530639/UGD/000/C 500000151576		Rev. C
		Type TB	Number 21033219400			Page 1/1	