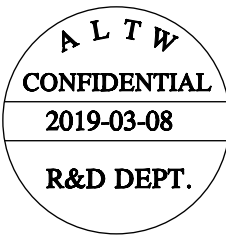
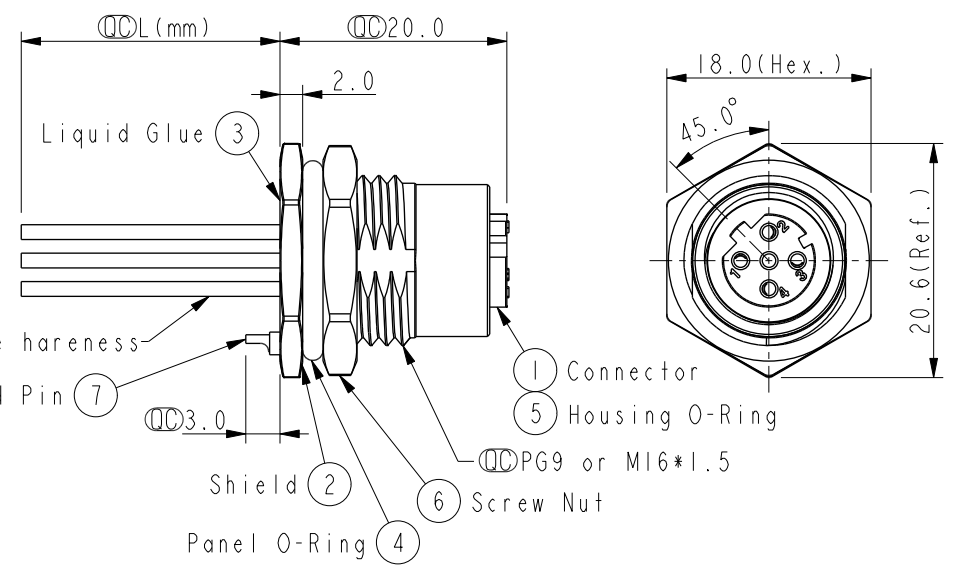
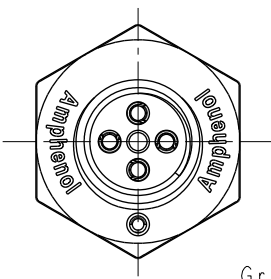
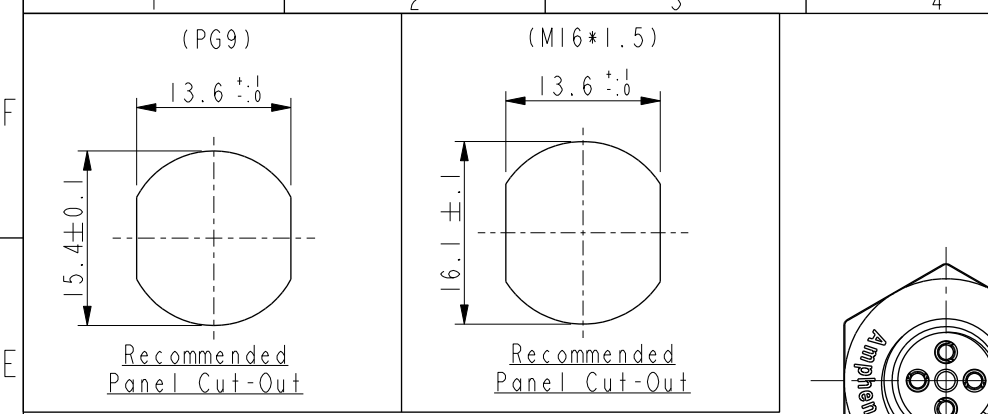
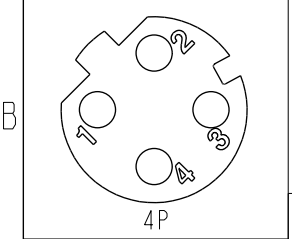


THIS DOCUMENT IS SUBJECT TO CHANGE WITHOUT NOTICE. IT IS CONFIDENTIAL AND A PROPERTY OF Amphenol LTW. DISCLOSURE TO THIRD PARTY HAS TO BE AUTHORIZED BY Amphenol LTW.

REV.	ECN NO.	DATE	SIGN	DESCRIPTION
A		2019-03-08	Allen Pan	



4	Black	黑
3	Blue	藍
2	White	白
1	Brown	棕
Pin #	Wire	
	Pin Out	



M SDS - 04 P F F C - S F 8 X XX

12D: D-Code
Shielded

04: 4Pin

P: Panel (板端)

F: Female Connector (母座)

F: Female Pin (母Pin)

C: Crimp Type (打端式)

S: Screw (螺紋式)

15: 150mm
30: 300mm
50: 500mm
A0: 1000mm
A5: 1500mm
Wire Length (L): 150~1500mm

B: PG9
C: M16*1.5

8: IP68 (防水等級68)

F: Front Fasten (前鎖式/Enclosure Rear Mount)

- Note:
- * \varnothing Important Dimension.
 - * Waterproof Rate: IP68.
 - * Housing: Nylon+GF, Black.
 - * Female Pin: Copper Alloy, Gold Plated.
 - * Shield: Zinc Alloy, Nickel Plated.
 - * Screw Nut: Zinc Alloy, Nickel Plated.
 - * Panel O-Ring: Viton, Black.
 - * Housing O-Ring: Viton, Green.
 - * Wire harness: UL1061
 - * Rated Voltage: 250V dc. or ac.
 - * Rated Current: 4A
 - * Operating Temperature: -25~85°C
 - * For Panel Thickness Max 4.5mm.
 - * Recommended Nut Torque: 4-6 Kgf.cm.
 - * Wire harness Tolerance: 150~300 ±15mm
301~1000 ±20mm
Over 1000 ±40mm

Pin Assignments - Front View	4P	UL1061	22	MSDS-04PFFC-SF8BXX MSDS-04PFFC-SF8CXX
	Contacts	Wire harness	AWG	Item No.

UNIT: mm		TITLE M12 D-Code Female Conn. Panel Front With Wire harness Shielded
TOLERANCE .X ±0.25 .XX ±0.1 .XXX ±0.05 ANGLES ±1°	SCALE 3:2	SIZE A4
	REV. A	WC-REV. A.1
		\varnothing : Inspection item

Amphenol LTW
安費諾亮泰企業股份有限公司

ITEM NO.	DRAWN BY	DATE
	Allen Pan	2019-03-08
DWG NO.	CHECKED BY	DATE
MSDS-04PFFC-SF8XXX	Fred Lee	2019-03-08
CUSTOMER	APPROVED BY	DATE
ALTW	Fred Lee	2019-03-08