

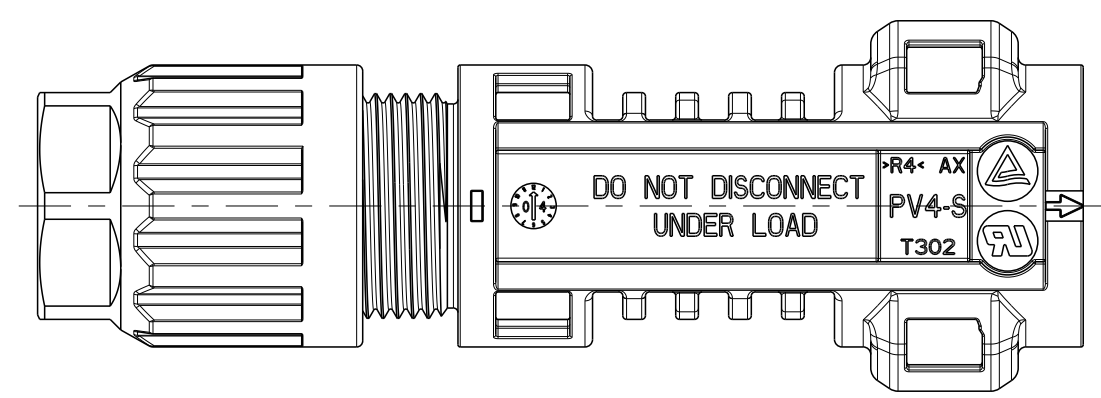
LOC		DIST		REVISIONS			
P	LTR	DESCRIPTION	DATE	DWN	APVD		
	B	UPGRADE STANDARD TO IEC 62852	02JUN2017	SG	SM		
	B1	UPDATED CABLE DIAMETER	01JUN2018	GCM	MZ		
	B2	REVISED DRAWING	28SEP2018	MZ	MZ		

1 SPECIFICATION:

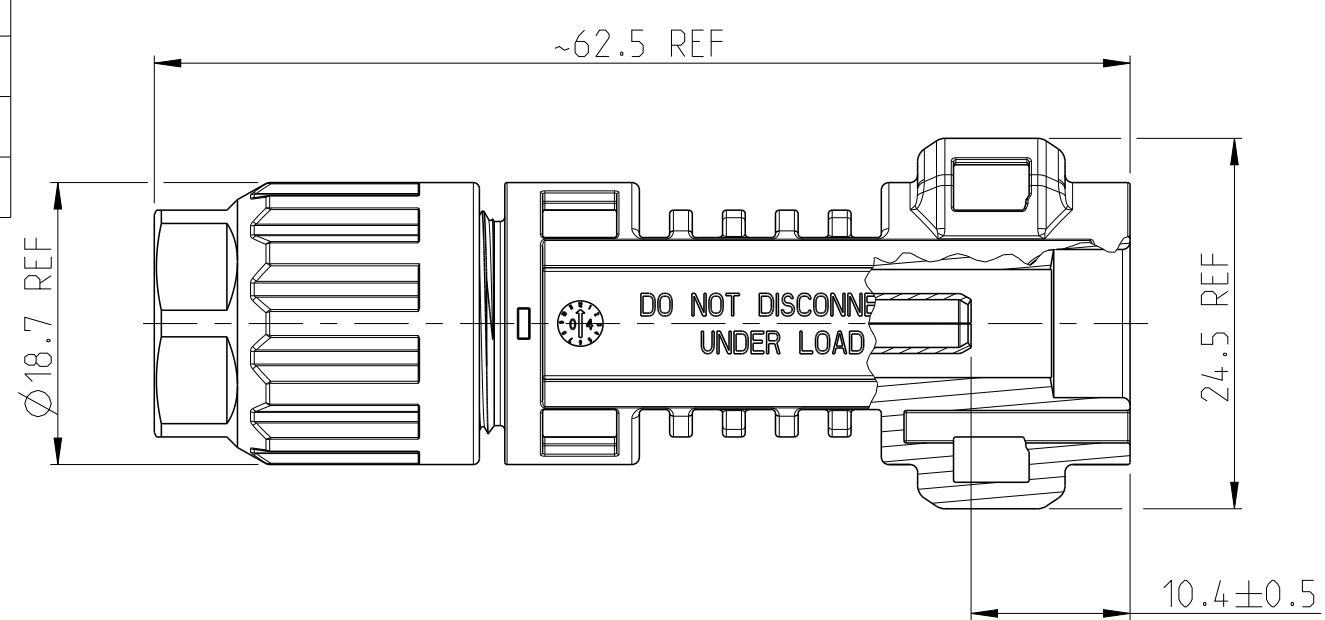
CABLE CONDUCTOR SIZE	2.5MM2/14AWG	4.0MM2/AWG12	6.0MM2/AWG10
RATED CURRENT (AT 85°C AMBIENT)	UL 15A DC TUV 35A DC	UL 20A DC TUV 40A DC	UL 30A DC TUV 45A DC
RATED VOLTAGE	PV4-S: UL 1000V DC / TUV 1000V DC		
	PV4-S1: UL 1500V DC / TUV 1500V DC		
DEGREE OF PROTECTION, MATED	IP 68 (1m, 24h)		
AMBIENT TEMPERATURE RANGE	-40°C ~ +85°C		
OVERVOLTAGE CATEGORY	III		
POLLUTION DEGREE	2		
CONTACT RESISTANCE	0.5mΩ		
CONTACT MATERIAL	COPPER, TIN PLATED		
INSULATION MATERIAL	THERMOPLASTIC, UL94-V0		
SAFETY CLASS	II		
STRIP LENGTH	6.5mm		
CABLE JACKET DIAMETER	TUV: 5.0-7.8 mm / UL: 5.5-7.8 mm		

2 CONTACT SHOWN UNINSTALLED, FOR REFERENCE ONLY.

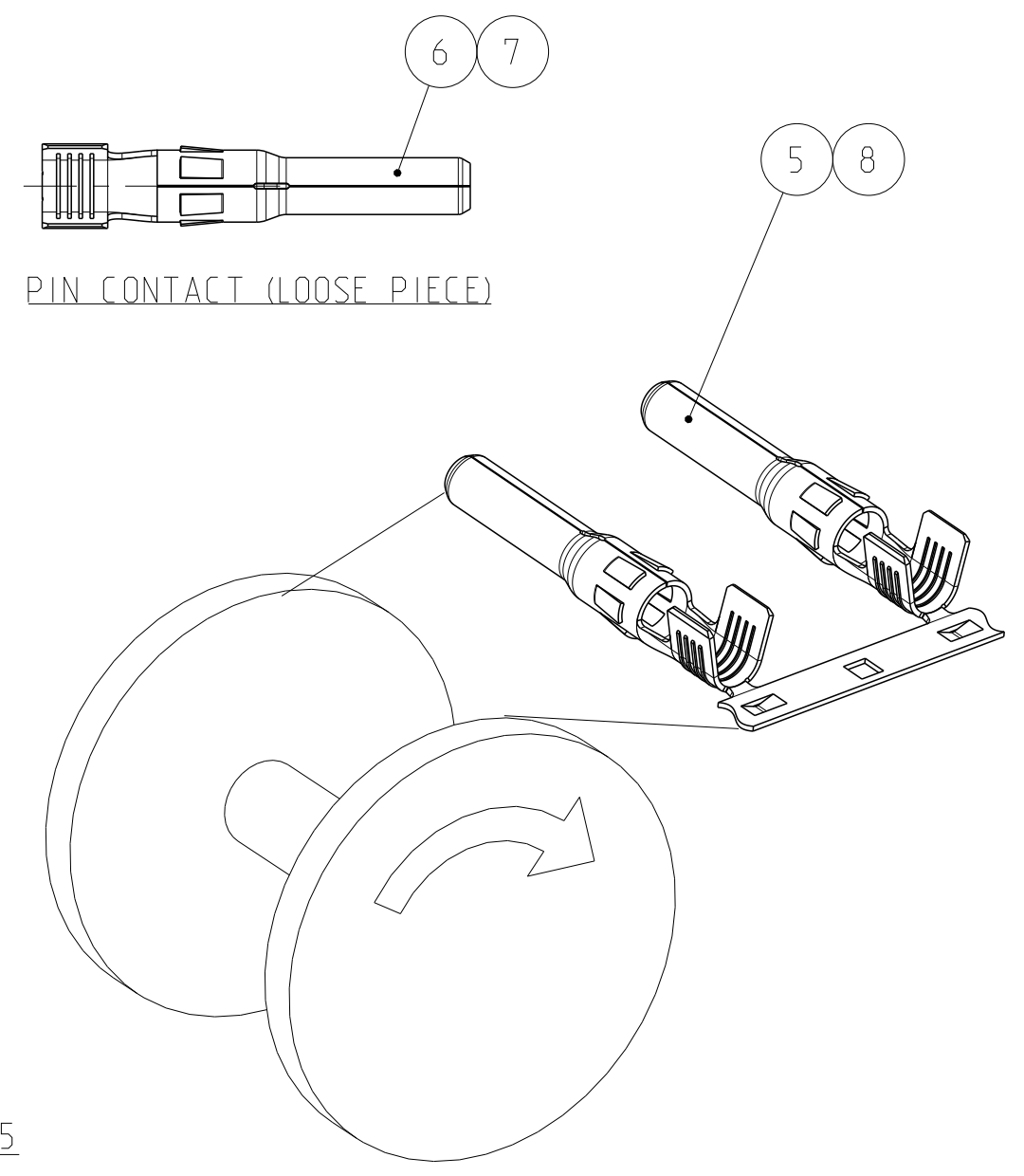
3 USE ONLY CRIMPING TOOL OF TE CONNECTIVITY TO CRIMP CONTACT.
 A. CRIMPING TOOL PN 6-1579014-9 WILL BE USED FOR CRIMPING THE CONTACTS HAVING WIRE SIZE 2.5mm² AND 4.0mm².
 B. CRIMPING TOOL PN 6-1579014-8 WILL BE USED FOR CRIMPING THE CONTACTS HAVING WIRE SIZE 4.0mm² AND 6.0mm².



PREASSEMBLED VIEW AS SHOWN

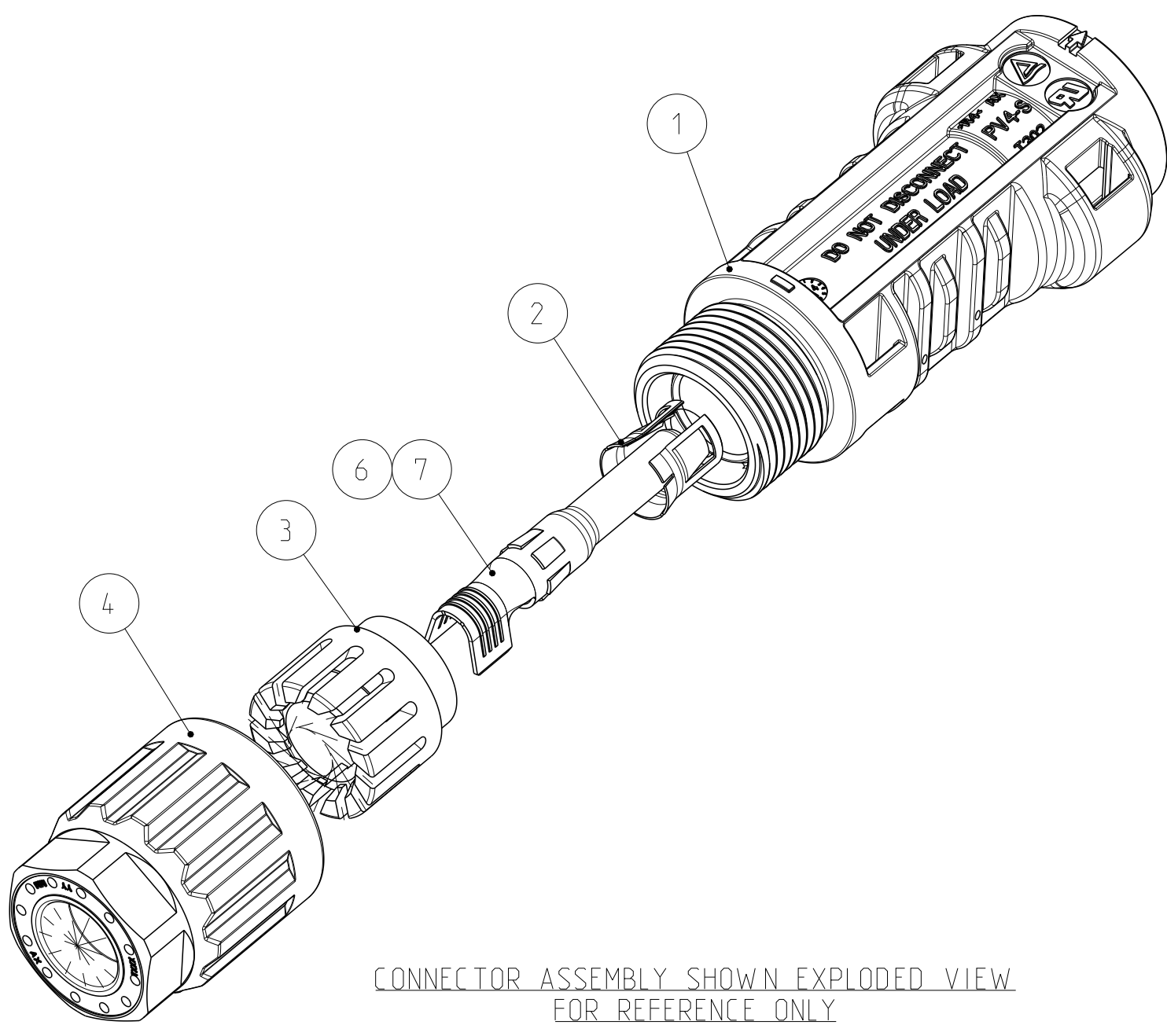


ASSEMBLED VIEW AS SHOWN



STRIP CONTACT COME OFF TO ASSEMBLY
 2000 PCS CONTACTS MOUNTED REEL
 REEL TYPE SUBJECT TO ALTERNATION

-1 AS SHOWN



CONNECTOR ASSEMBLY SHOWN EXPLODED VIEW FOR REFERENCE ONLY

2- -3	2- -1	1- -3	1- -1	-3	-1	PART NUMBER	ITEM No
100		2000		1000		PACKAGING QTY.	
TUV: 5.0-7.8 mm / UL: 5.5-7.8 mm						CABLE JACKET DIAMETER in mm	
-	-	1	-	-	-	PIN CONTACT, 2.5mm ² /14AWG, STRIP	8
1	-	-	-	1	-	PIN CONTACT, 2.5mm ² /14AWG, LOOSE PIECE	7
-	1	-	-	-	1	PIN CONTACT, 4-6mm ² /10-12AWG, LOOSE PIECE	6
-	-	-	1	-	-	PIN CONTACT, 4-6mm ² /10-12AWG, STRIP	5
1	1	1	1	1	1	CABLE SCREW JOINT	4
1	1	1	1	1	1	PINCH RING SEAL INMOLDED, ASSY	3
1	1	1	1	1	1	METAL CLIP	2
1	1	1	1	1	1	PV4-S1 PIN CONNECTOR.	1
QUANTITY PER ASSEMBLY						DESCRIPTION	ITEM No

THIS DRAWING IS A CONTROLLED DOCUMENT.

DIMENSIONS: mm

TOLERANCES UNLESS OTHERWISE SPECIFIED:

0 PLC	±0.0
1 PLC	±
2 PLC	±
3 PLC	±
4 PLC	±
ANGLES	±
FINISH	

MATERIAL: -

APPROVALS:

DWN	WANG LORRY	13JUN2014
CHK	TAO DANIEL	13JUN2014
APVD	PETER YIN	13JUN2014

PRODUCT SPEC: 108-137077

APPLICATION SPEC: 114-137077

WEIGHT: -

CUSTOMER DRAWING

SCALE: 2:1

SHEET 1 OF 1

REV: B2

TE Connectivity

PIN CONNECTOR KITS
 PV4-S1 CONNECTOR, PV4-S1M*

RESTRICTED TO: -