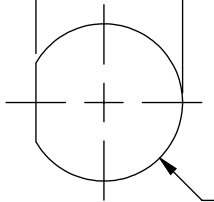


THE INFORMATION CONTAINED IN THIS DRAWING IS THE SOLE PROPERTY OF L-COM, INC. ANY REPRODUCTION IN PART OR WHOLE WITHOUT THE WRITTEN PERMISSION OF L-COM, INC. IS PROHIBITED.

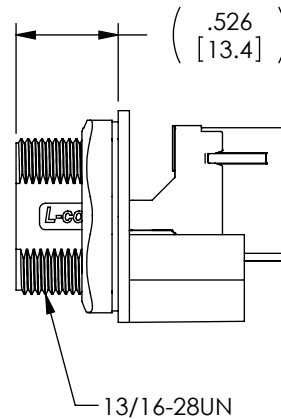
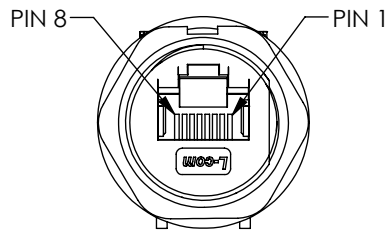
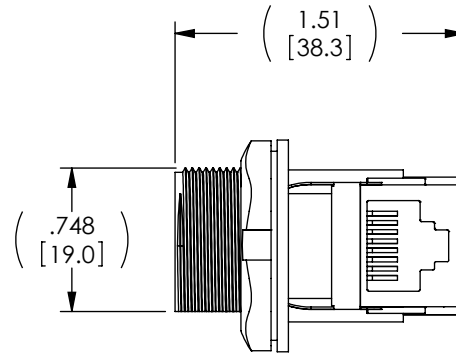
REVISIONS			
REV	DESCRIPTION	DATE	APPROVED
A	INITIAL RELEASE	3/30/10	D.GRIFFIN

.764±.004  
[19.4±0.1]



Ø.819±.004  
[20.8±0.1]

RECOMMENDED  
PANEL CUTOUT



**NOTES:**

**1. MATERIAL:**

NUT: NYLON, GLASS FILLED BLACK  
GASKET: EPDM, BLACK  
HOUSING: NYLON, GLASS FILLED, BLACK.

**2. MISCELLANEOUS:**

INGRESS PROTECTION RATING: IP67.  
FOR PANEL THICKNESS MAX: .110" [2.8mm].  
USE WITH WATERPROOF CAP OR DUST CAP FOR PANEL THICKNESS: .063" [1.6mm].  
COMPONENT SHALL BE TESTED FOR CONTINUITY.  
COMPONENT ASSEMBLY SHALL BE INDIVIDUALLY PACKAGED IN ACCORDANCE WITH L-COM SPEC. PS-0031

UNLESS OTHERWISE SPECIFIED, DIMENSIONS ARE IN INCHES [mm] OVERALL CABLE LENGTH TOLERANCE: ≤12 [305] = +1 [25] / -0 >12 [305] ≤60 [1524] = +2 [51] / -0 >60 [1524] ≤120 [3048] = +4 [102] / -0 >120 [3048] ≤300 [7620] = +6 [152] / -0 >300 [7620] = +3% / -0%	APPROVALS	DATE		45 BEECHWOOD DRIVE NORTH ANDOVER, MA 01845		
	DRAWN BY D. CASTRO	3/25/10				
ALL OTHER DIMENSIONAL TOLERANCES: .X = ± .2 .XX = ± .02 .XXX = ± .005	CHECKED BY D. PARHAM	3/29/10	CATEGORY <b>MODULAR</b>			
	APPROVED BY P. MCNEIL	3/29/10	PRODUCT DESCRIPTION <b>P67 RJ45 RT ANGLE FEED-THRU SHIELDED</b>			
PROJECTION 	CONFIGURATION DETAILS OF UNDIMENSIONED FEATURES MAY VARY	COLOR VARIATIONS MAY OCCUR	SIZE <b>A</b>	FSCM NO. <b>43321</b>	DWG. NO. <b>WPRJ-FTRACAT5E</b>	REV. <b>A</b>
SCALE: NONE			CAD FILE: WPRJ-FTRACAT5E.SLDDRW		SHEET 1 OF 1	