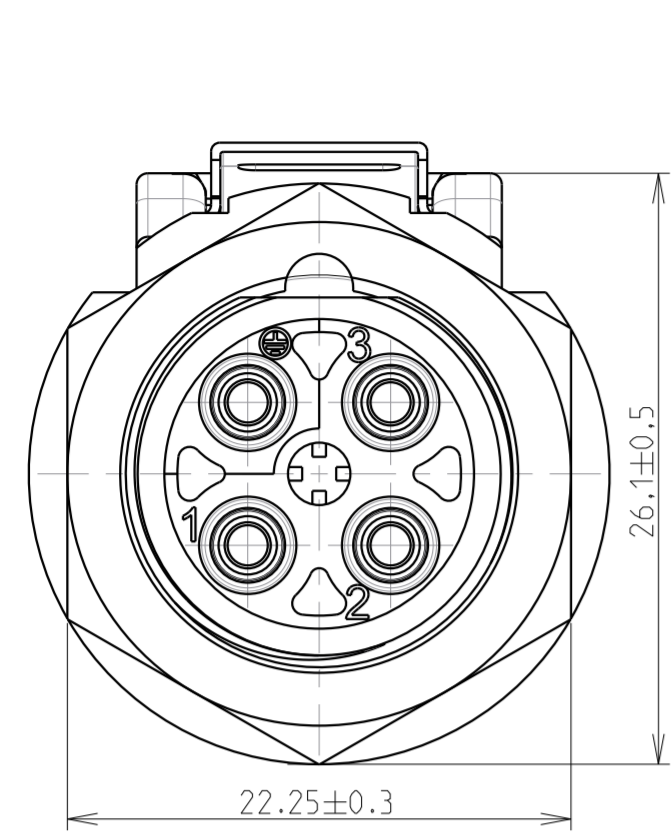


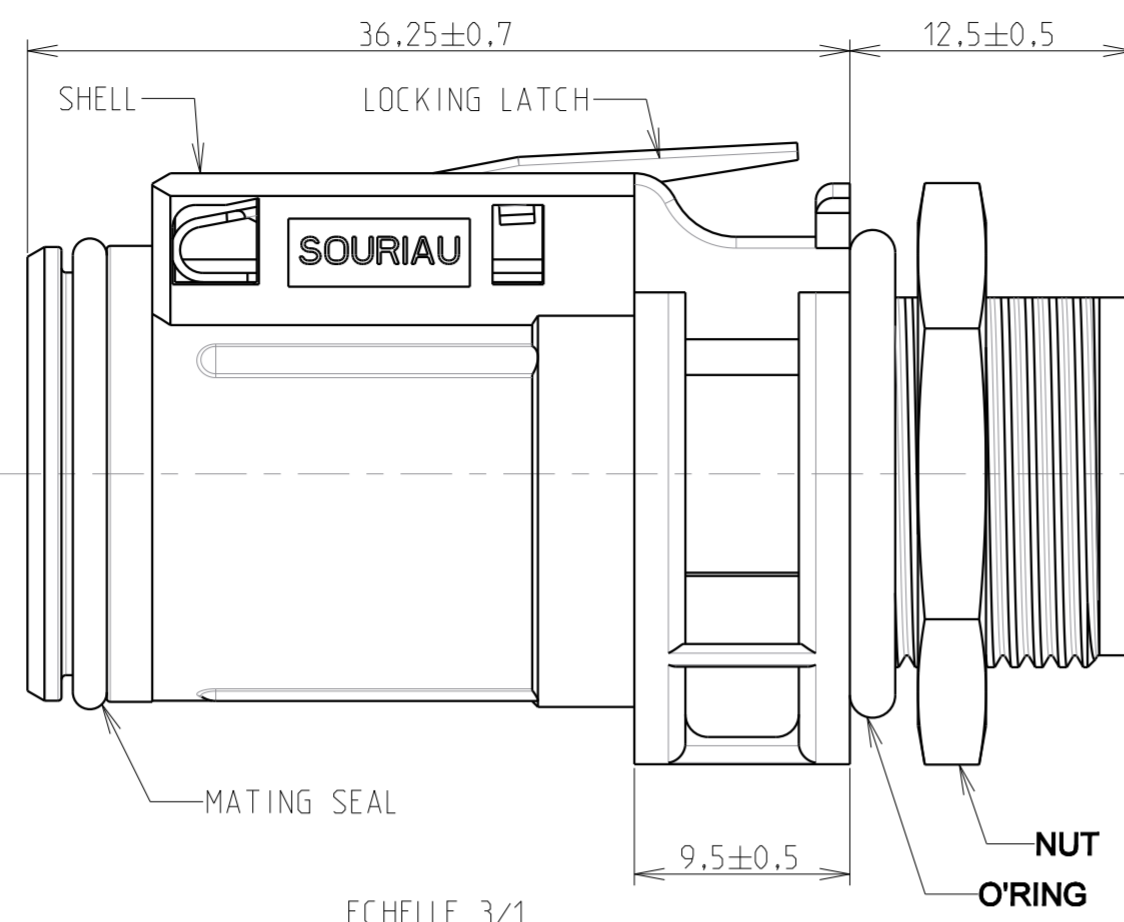
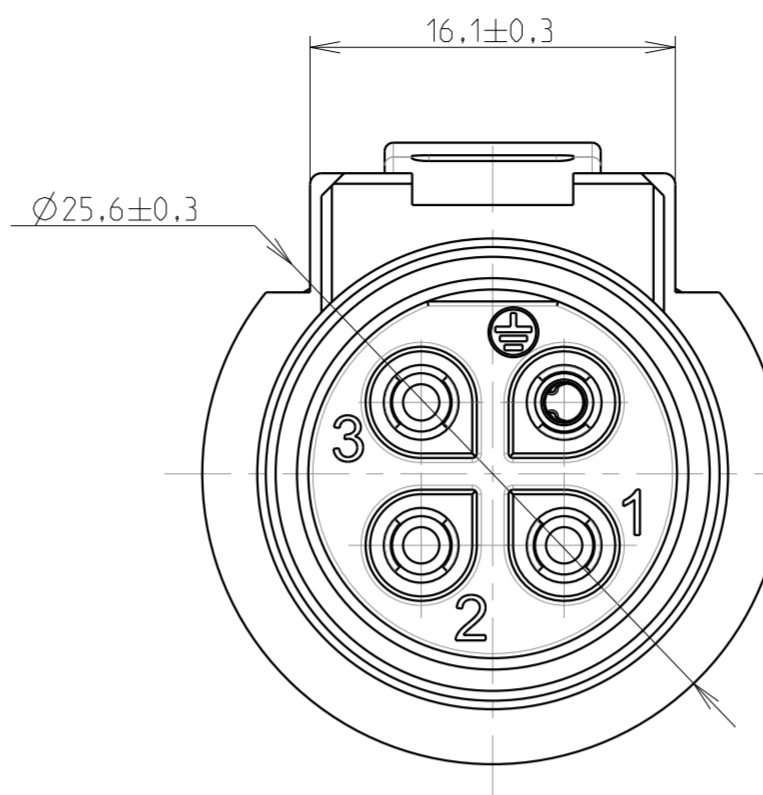
B.5: Validité

MASS ± 5% 17.1 g

WIRING FACE



MATING FACE



NOTES

MATERIALS

- SHELL
- O'RING
- NUT
- MATING SEAL
- LOCKING LATCH

- BLACK POLYAMID
- NBR
- BLACK ANODIZED ALUMINIUM ALLOY
- SILICON
- STAINLESS STEEL

PERFORMANCES CHARACTERISTICS

MECHANICAL

TEMPERATURE CLASS	IEC61984/UL1977	-40°C TO 105°C
DURABILITY	IEC61984	500 MATE / UNMATE CYCLES
SEALING IN MATED CONDITIONS	IEC60529 DIN40050	IP68 1BAR DURING 1WEEK IP69K
SEALING IN UNMATED CONDITIONS	IEC60529	IP67 WITH CAPS
OPEN FACE SEALING	IEC60529	IP67 WITH R*M25* CONTACTS
POLLUTION DEGREE	IEC61984	4
CORROSION SALT SPRAY		MIN 1000H
FLAMMABILITY	UL94	MATERIAL RATING: 5VA
OUTDOOR SUITABILITY (UV RESIST)	UL746C	MATERIAL RATING: (F1)
SCOOP PROOF		

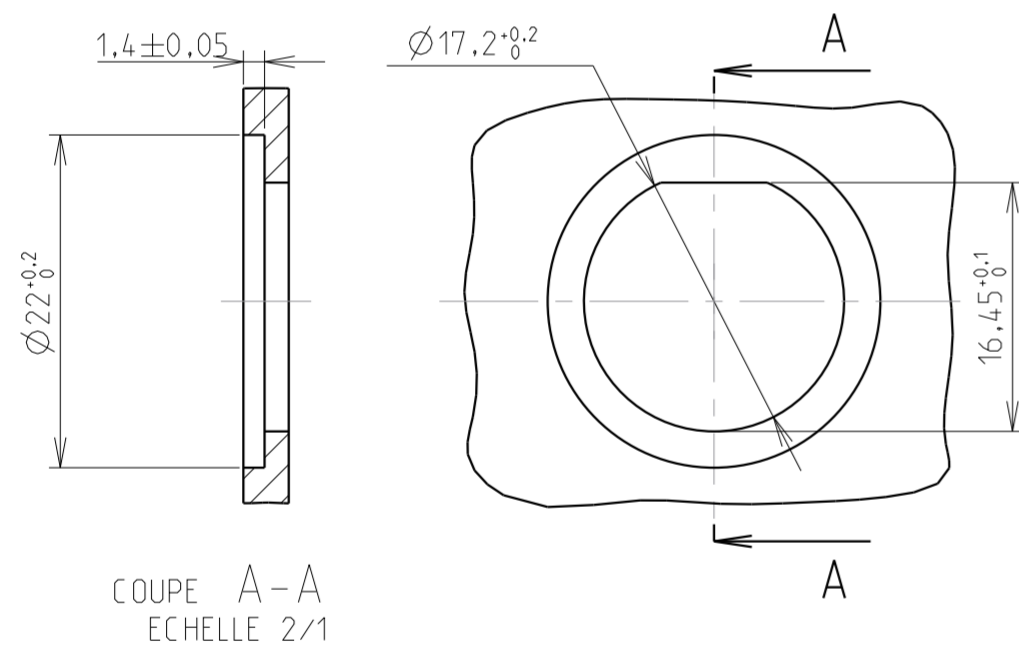
ELECTRICAL

TOUCH PROOF	IEC60529	IP2X
NOMINAL CURRENT	UL1977	16A WITH AWG14 WIRE / 13A WITH AWG16 WIRE
NOMINAL CURRENT	IEC61984	16A WITH 2.5MM² WIRE / 13A WITH 1.5MM² WIRE AT 60°C
NOMINAL VOLTAGE	UL1977	600V
NOMINAL VOLTAGE	IEC61984	250VAC 4KV 4 FOR CLASS II
NOMINAL VOLTAGE	IEC61984	500VAC 6KV 4 FOR CLASS I
CONNECTOR BREAKING CAPACITY	UL1977	277V 13A WITH AWG14/16 WIRES
CONNECTOR BREAKING CAPACITY	IEC61984	250VAC 13A 4KV 4

ROHS COMPLIANT

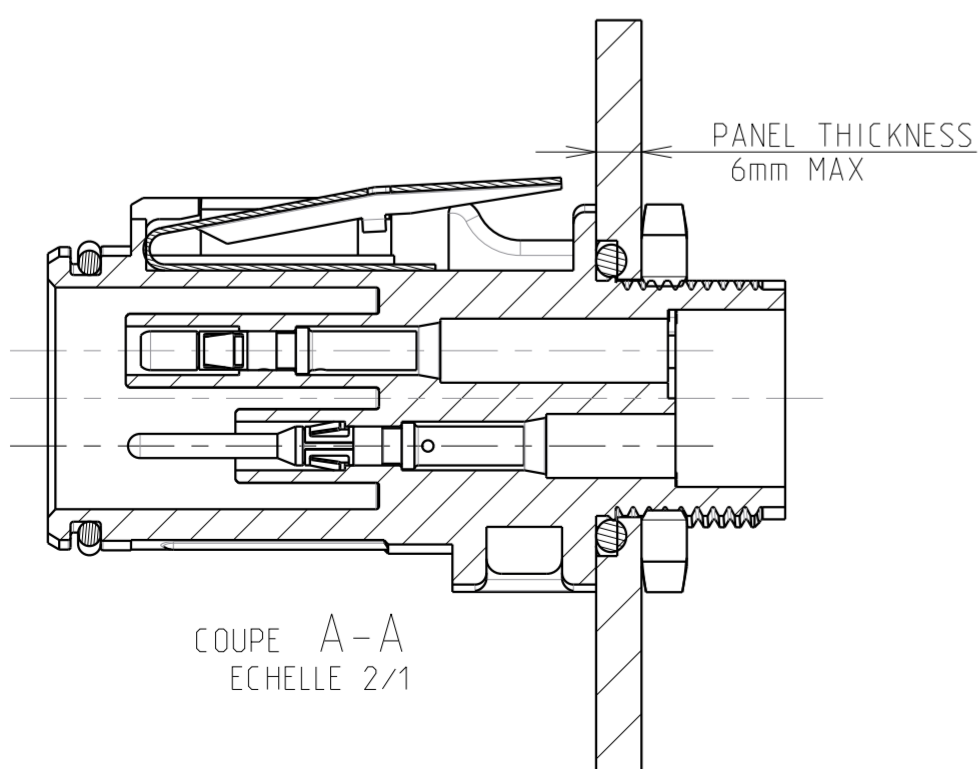
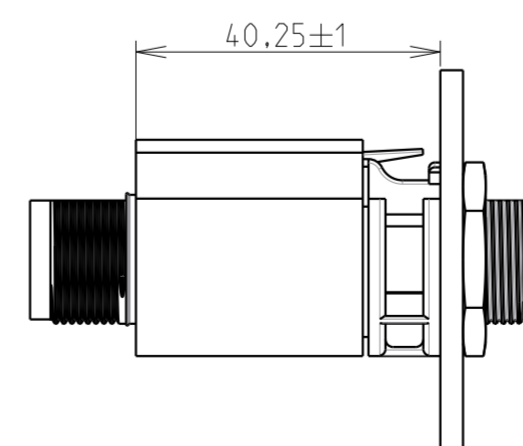
- COUNTERPART REFERENCE UTL RECEPTACLE OR FREE HANGING
- CONNECTORS ARE DELIVERED AS PRE-ASSEMBLED KIT
- CONNECTOR BLOCKS ACCEPTS TRIM TRIO CONTACTS #16, R*M* OR S*M* TYPES
- CONTACTS TO BE ORDERED SEPARATELY.
- WARNING: PHASE CONTACTS ARE MALE VERSION AND GROUND CONTACT IS FEMALE VERSION
- UNIT IN MM
- MAX WIRE INSULATOR DIAMETER : Ø3.7mm
- (*) : OPTIONAL ORDERING PART NUMBERS TO BE ORDERED SEPARATELY
- (**) FOR x100 pcs BULK PACKAGING ADD SUFFIX B -> UTL6TH103G1PB

PANEL CUT OUT

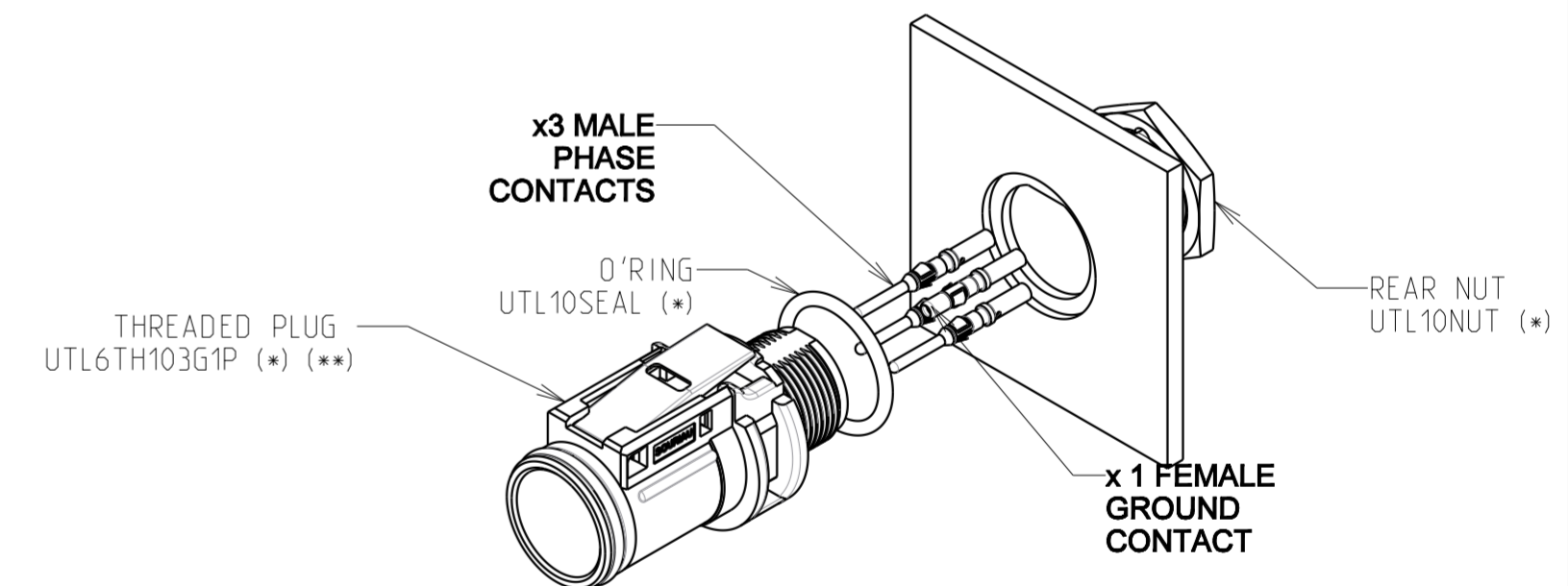


COUPE A-A
ECHELLE 2/1

VIEW IN MOUNTED AND MATED CONDITIONS



COUPE A-A
ECHELLE 2/1



Country	Jurisdiction & Control List
FR	NOT LISTED

P/N : UTL5 103G1 P

B	23/02/18	Update	--
ISS	DATE	Latest modification - by:	R.M. MOD N°
Designed by:		R.M. Date: 04/04/17	CUSTOMER DRAWING
TITLE		PANEL PLUG SIZE 10 UTL CONNECTOR	
Scale	1/1	General Linear Tolerances: ± 0.2	NPRDS / PROJECT IC 155105C
SOURIAU		WWW.SOURIAU.COM	
FORMAT		SOURIAU DRG N° UTL1-0087A-C	
A2		SHEET 1 / 1	

SOURIAU shall not be liable for any non-conformity or damage due to a use of the Products which does not comply with the Specifications issued by either of the Parties or by a third party (professional recommendation, technical notice.)