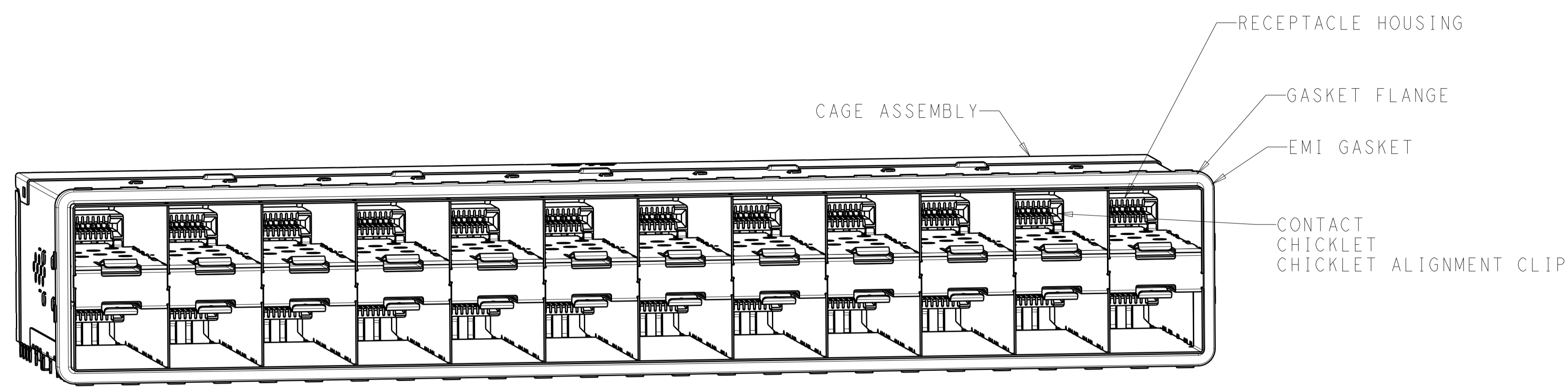
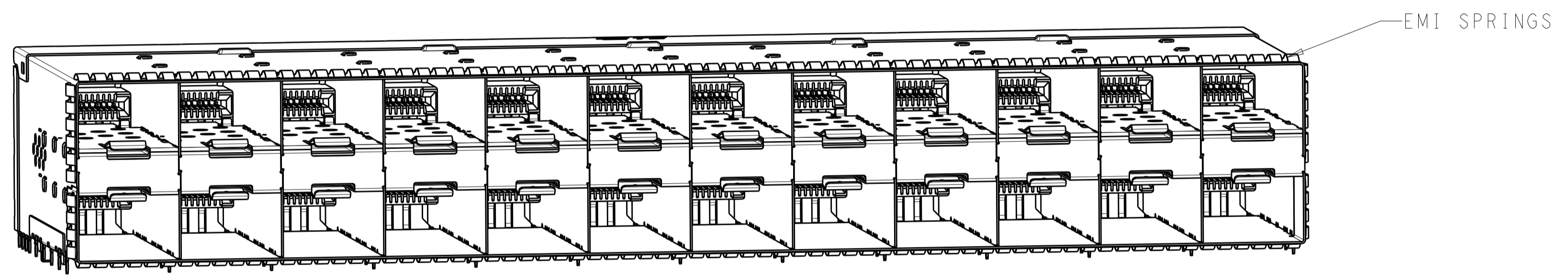


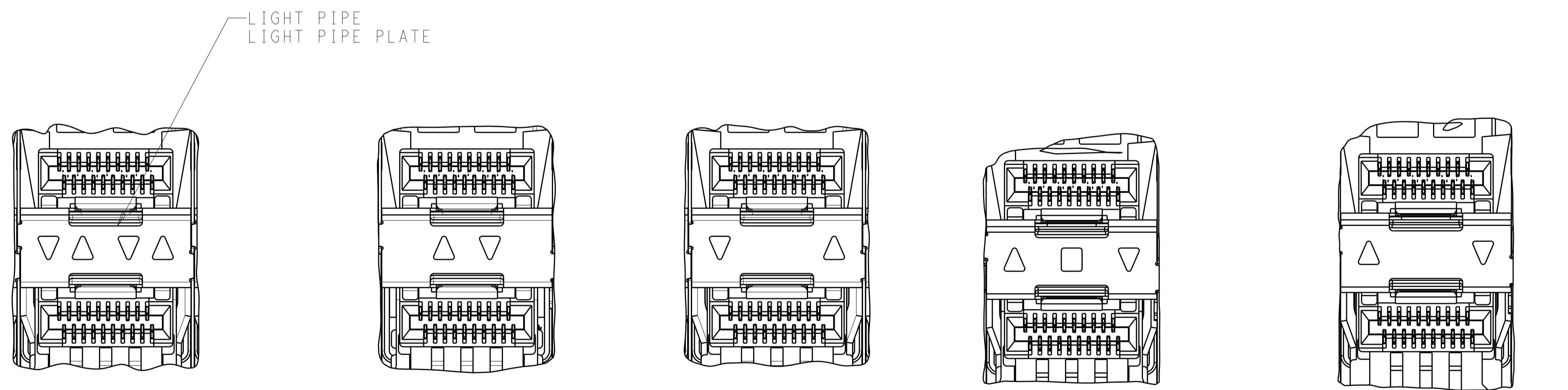
LOC	DIST	REVISIONS					
GP	00	P	LTN	DESCRIPTION	DATE	DWN	APVD
		A		PRODUCTION RELEASE	05JUN2019	JW	SH



2349201-1



2349201-5



INNER/OUTER LIGHT PIPE
 2349201-2, 2349201-6
 SCALE 4:1

INNER LIGHT PIPE
 2349201-3, 2349201-7
 SCALE 4:1

OUTER LIGHT PIPE
 2349201-4, 2349201-8
 SCALE 4:1

CENTER/
 REVERSE OUTER LIGHT PIPE
 1-2349201-7, 1-2349201-9
 SCALE 4:1

REVERSE OUTER LIGHT PIPE
 1-2349201-8, 2-2349201-0
 SCALE 4:1

- MATERIALS:**
 CAGE ASSEMBLY - NICKEL-SILVER ALLOY PER ASTM B 122
 RECEPTACLE HOUSING - LCP, BLACK, UL 94V-O RATED
 CHICKLET - LCP, BLACK, UL 94V-O RATED
 CHICKLET ALIGNMENT CLIP - LCP, BLACK, UL94V-O RATED
 CONTACT - COPPER ALLOY
 EMI GASKET - ELASTOMERIC
 GASKET FLANGE - STAINLESS STEEL
 LIGHT PIPE - POLYCARBONATE
 LIGHT PIPE PLATE - STAINLESS STEEL
 EMI SPRINGS - PHOSPHOR BRONZE PER ASTM B103
 INSULATOR TAPE: KAPTON
 - CONTACT FINISH:**
 CONFORMS TO THE REQUIREMENTS OF TYCO ELECTRONICS
 PRODUCT SPECIFICATION 108-2481, BASED ON EIA/ECA-364-1000.01A,
 (CONTROLLED ENVIRONMENT APPLICATIONS) ON MATING INTERFACE,
 TIN ON NEEDLE EYE
 - PCB MINIMUM THICKNESS = 1.5mm**
- ⚠ FOR HOLE SIZE AND PLATINGS,
 SEE APPLICATION SPECIFICATION 114-13319
- ⚠ LIGHT PIPE PAD LAYOUT IS FOR 0805 LOW PROFILE
 LED PACKAGE WITH A HEIGHT OF 0.8mm
- ⚠ THE ENTIRE AREA OF THE CONNECTOR FOOTPRINT, INDICATED BY THE
 DASHED LINE, TO BE CONSIDERED THE KEEPOUT AREA FOR COMPONENTS
 AND SIGNAL TRACES, TOP SIDE ONLY, TOP SIDE TRACES ALLOWED
 WITHIN CONNECTOR HOLE PATTERN
- ⚠ DIMENSION APPLIES FROM EMI SPRINGS ONLY.

173.5	EMI SPRINGS	NONE, AIRFLOW ENHANCE WITH INSULATOR TAPE	2-2349201-2
		NONE, AIRFLOW ENHANCE	2-2349201-1
173.5	EMI SPRINGS	REVERSED OUTER	2-2349201-0
		CENTER/REVERSED OUTER	1-2349201-9
176.25	EMI GASKET	REVERSED OUTER	1-2349201-8
		CENTER/REVERSED OUTER	1-2349201-7
173.5	EMI SPRINGS	OUTER	2349201-8
		INNER	2349201-7
		INNER/OUTER	2349201-6
176.25	EMI GASKET	NONE	2349201-5
		OUTER	2349201-4
		INNER	2349201-3
		INNER/OUTER	2349201-2
(E)	CAGE TYPE	NONE	2349201-1
		LIGHT PIPE CONFIGURATION	PART NUMBER

THIS DRAWING IS A CONTROLLED DOCUMENT. DIMENSIONING AND TOLERANCING PER ASME Y14.5M-2009. TOLERANCES UNLESS OTHERWISE SPECIFIED:

DIMENSIONS:	mm	0 PLC ±0.25 1 PLC ±0.25 2 PLC ±0.25 3 PLC ±0.25 4 PLC ±0.25
ANGLES:	°	±0.5°
FINISH:		±0.0015"

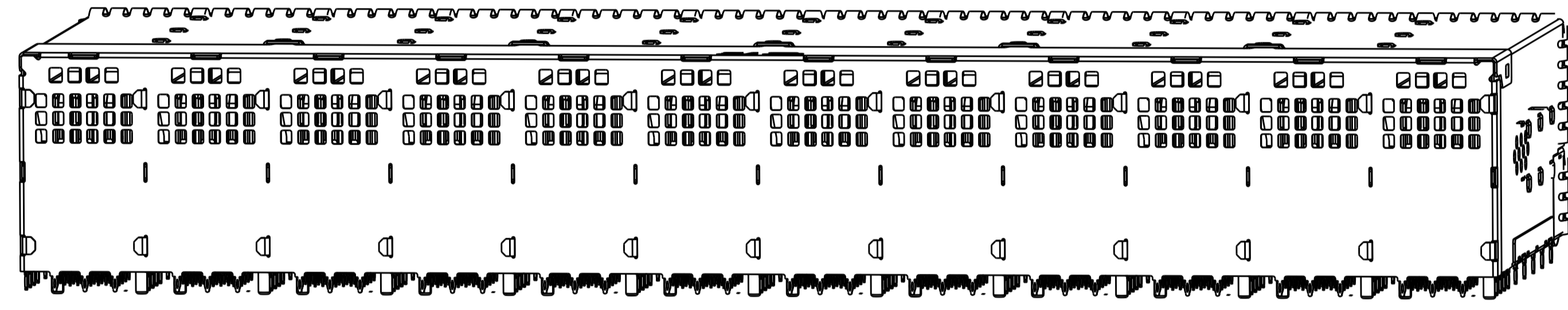
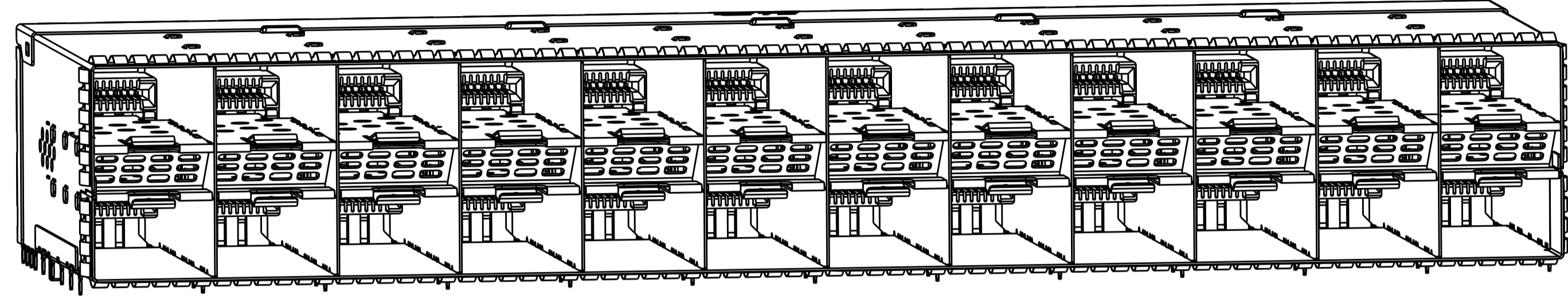
SEE NOTES

DWN	J. WANG	27FEB2019
CHK	S. HAN	27FEB2019
APVD	S. HAN	27FEB2019
NAME		
PRODUCT SPEC	108-2431	
APPLICATION SPEC	114-13319	
SIZE	CAGE CODE	DRAWING NO
RESTRICTED TO	A100779C=2349201	
WEIGHT		
CUSTOMER DRAWING	SCALE	2:1
SHEET	1	OF 6
REV	A	

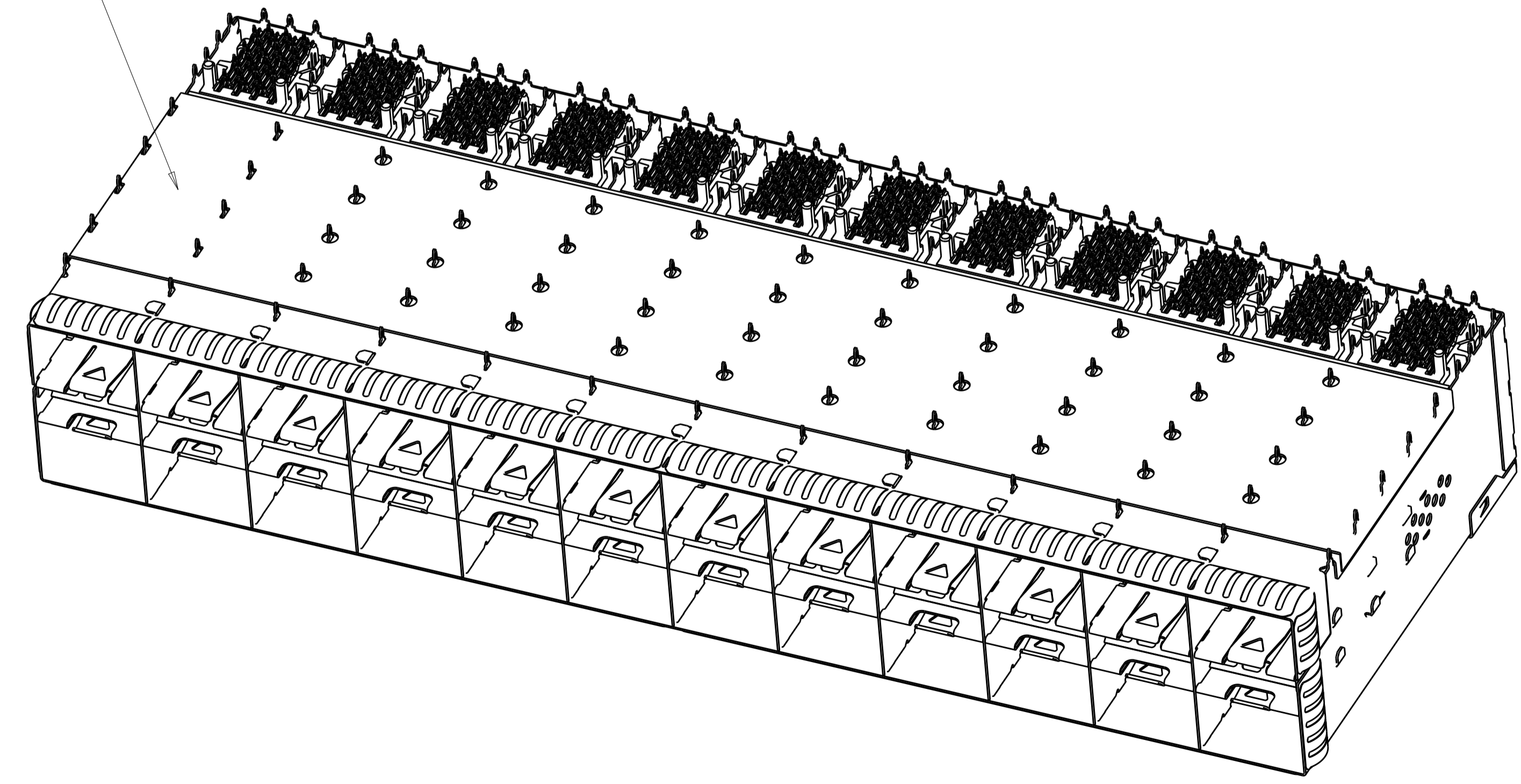
STE TE Connectivity

LOC		DIST		REVISIONS			
GP	00	P	LYR	DESCRIPTION	DATE	DWN	APVD
		-		SEE SHEET 1			

2-2349201-1/2-2349201-2 AIR FLOW ENHANCE VERSION
 UNMARKED DIMENSIONS ARE SAME AS 2349201-7



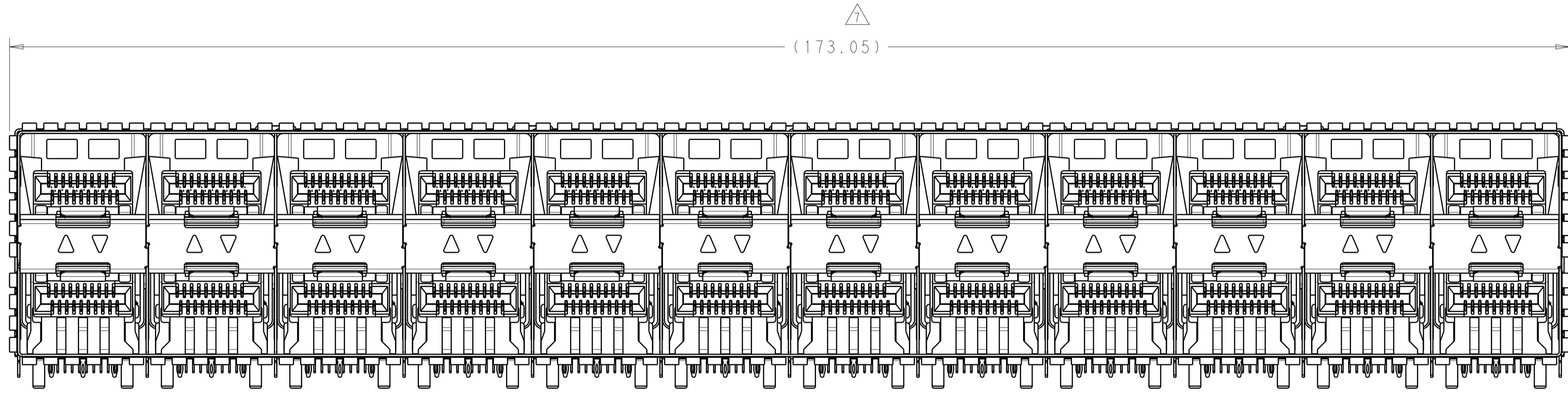
INSULATOR TAPE
 ONLY FOR 2-2349201-2



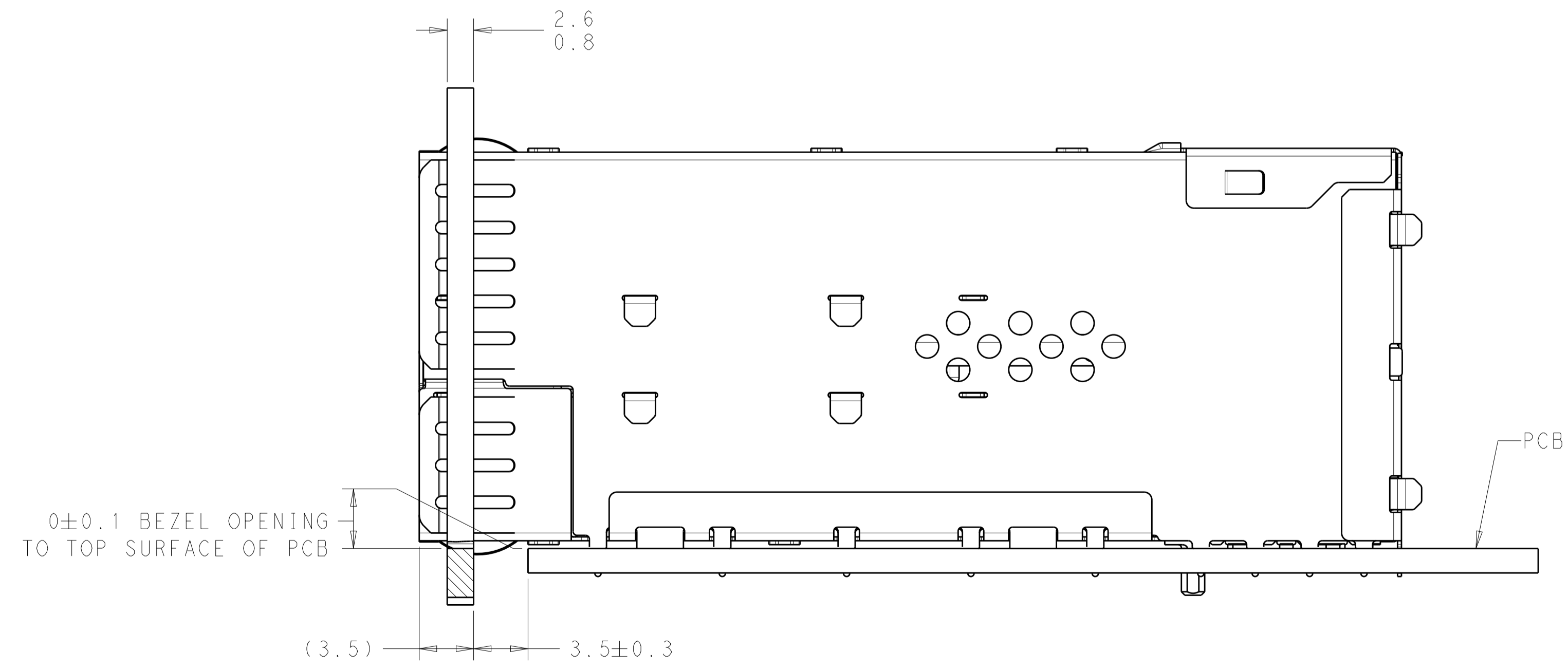
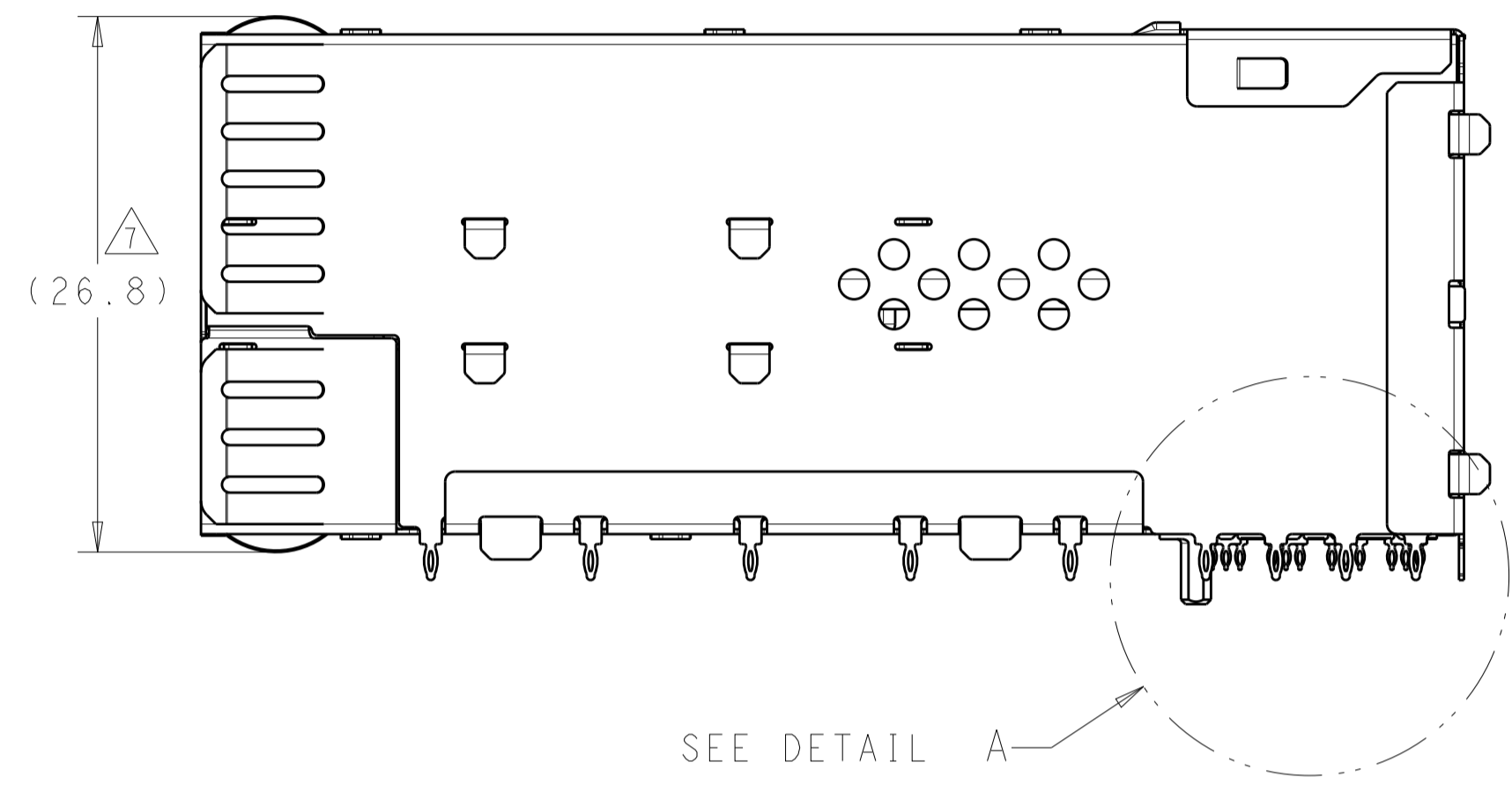
SCALE 2:1

THIS DRAWING IS A CONTROLLED DOCUMENT.		DWN J. WANG 27FEB2019	TE Connectivity
DIMENSIONS:		CHK S. HAN 27FEB2019	
mm	TOLERANCES UNLESS OTHERWISE SPECIFIED:	APVD S. HAN 27FEB2019	NAME
	0 PLC ±0.25 1 PLC ±0.25 2 PLC ±0.25 3 PLC ±0.25 4 PLC ± ANGLES ±°	PRODUCT SPEC 108-2431	SIZE
MATERIAL	FINISH	APPLICATION SPEC 114-13319	CAGE CODE DRAWING NO A100779C=2349201
SEE NOTES	SEE NOTES	WEIGHT	RESTRICTED TO
CUSTOMER DRAWING		SCALE 2:1	SHEET 2 OF 6 REV A

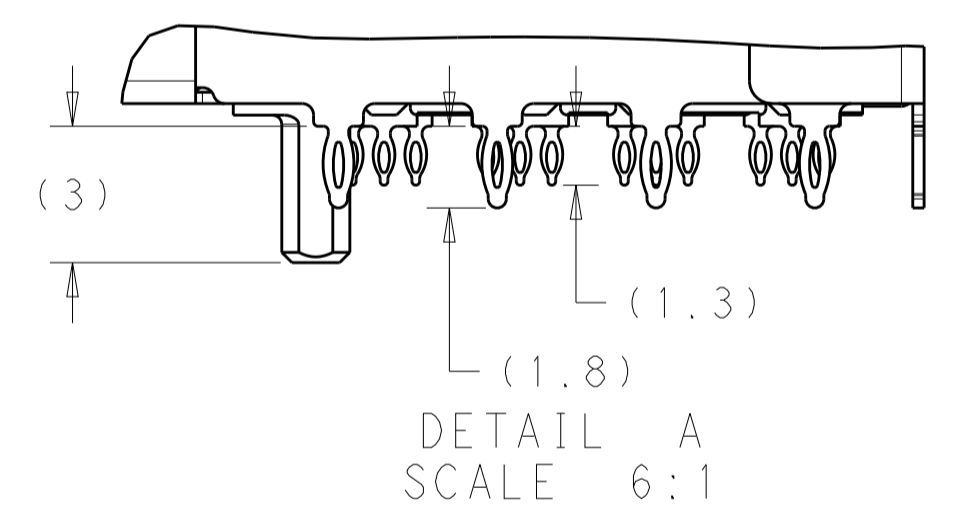
LOC	DIST	REVISIONS			
GP	00	REV	DATE	BY	APPV
-	-	SEE SHEET 1	-	-	-



2349201-7
EMI SPRINGS ONLY
SCALE 3:1



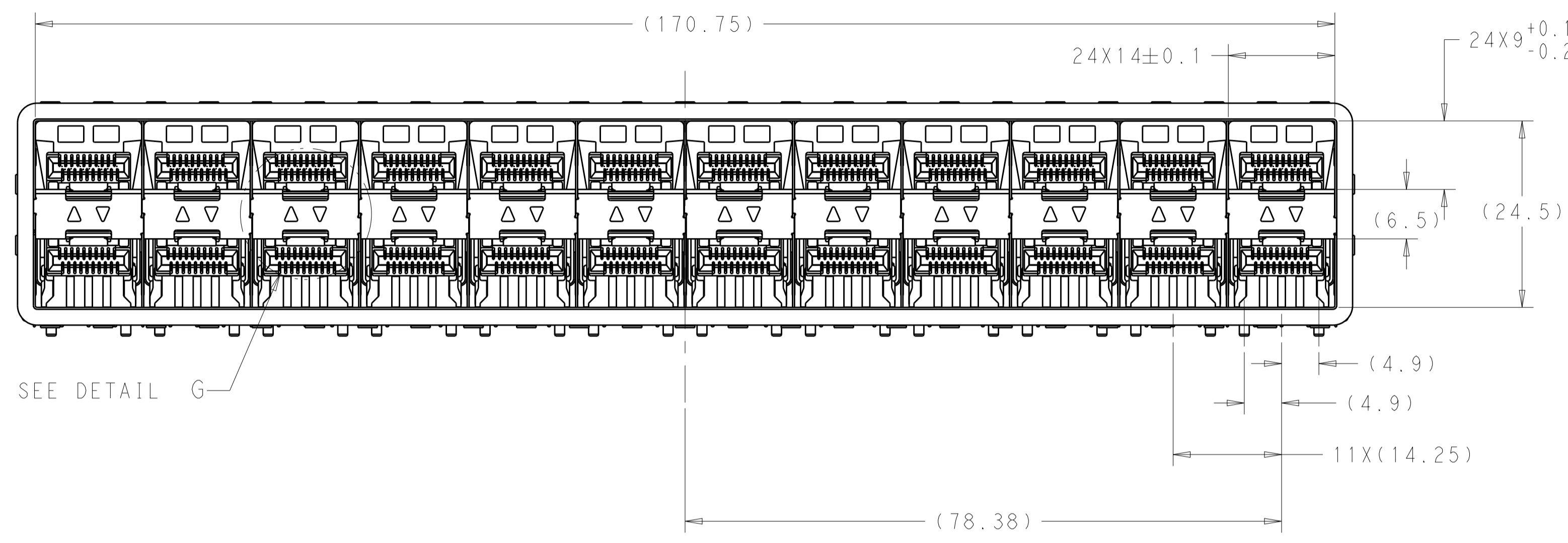
RECOMMENDED BEZEL LOCATION WITH EMI SPRINGS
SCALE 4:1



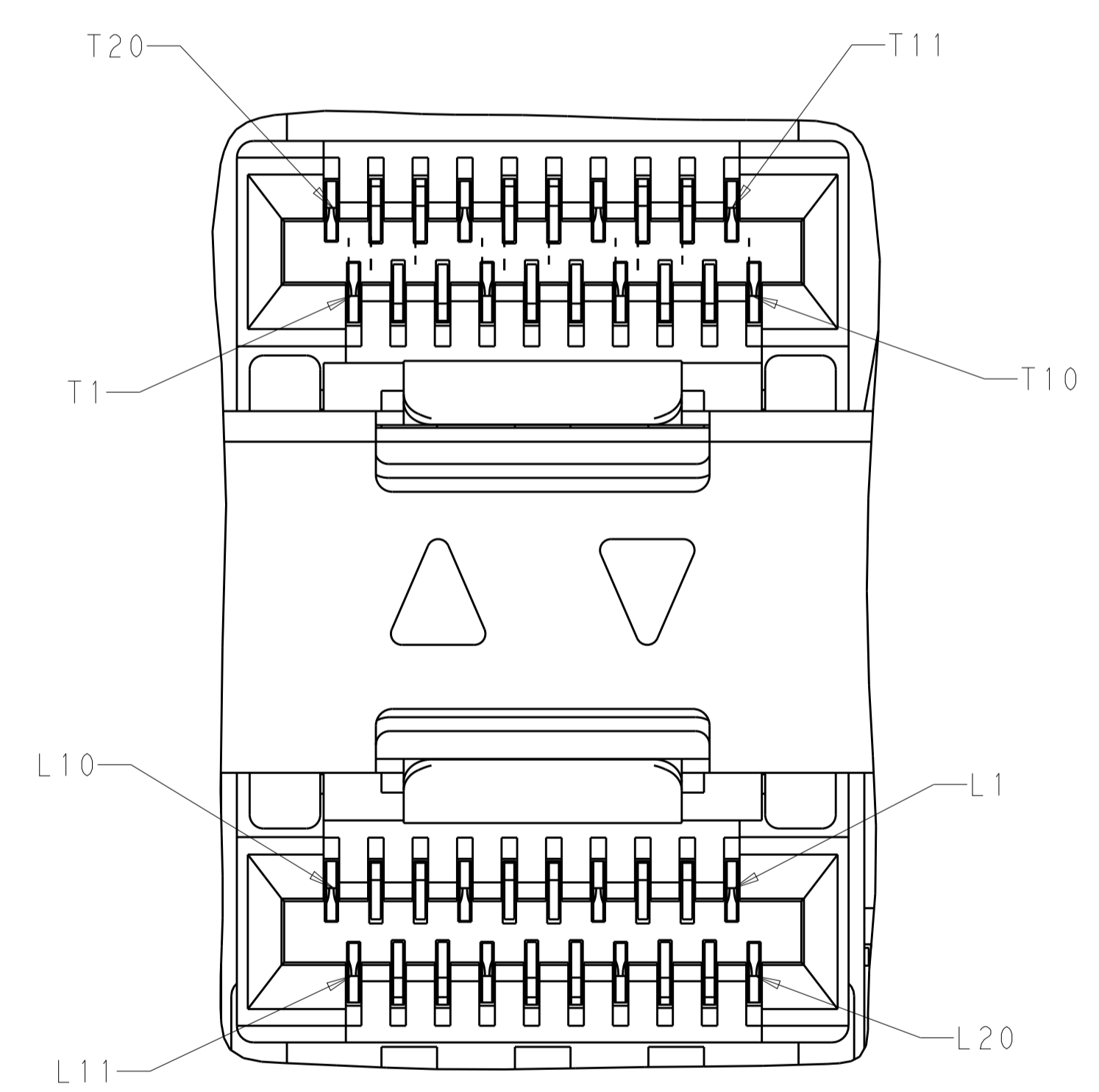
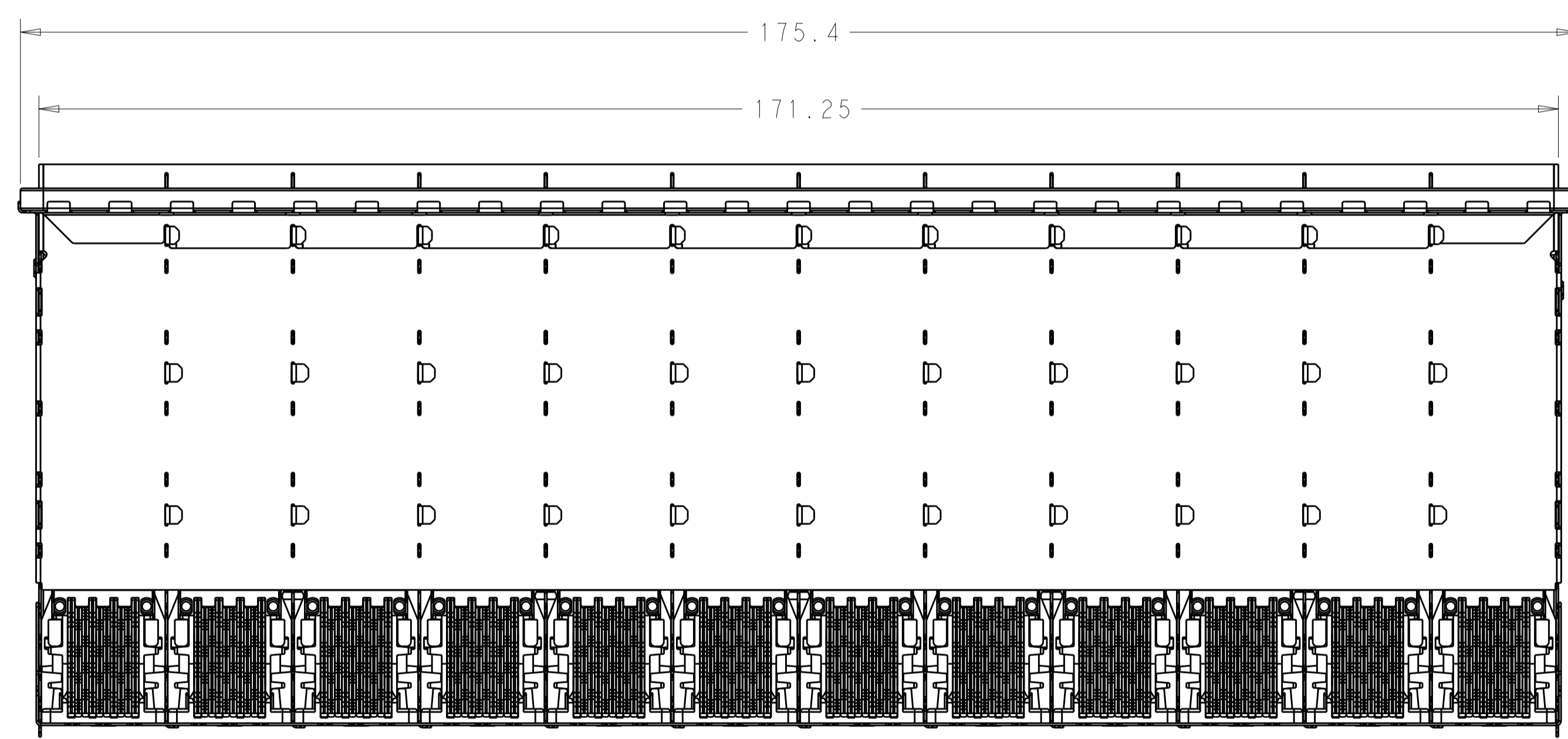
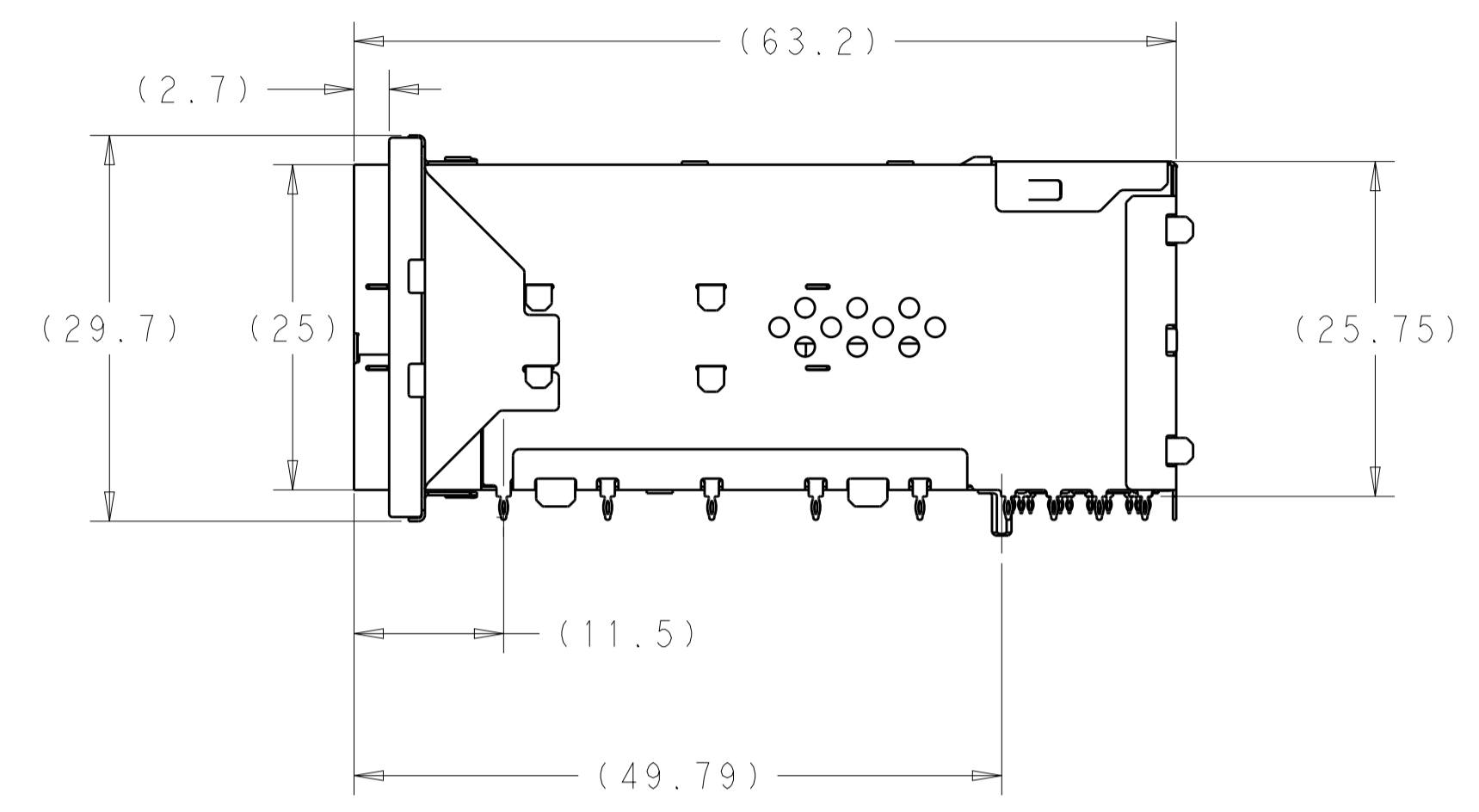
DETAIL A
SCALE 6:1

THIS DRAWING IS A CONTROLLED DOCUMENT.		DWN J. WANG 27FEB2019 CHK S. HAN 27FEB2019 APVD S. HAN 27FEB2019		RESTRICTED TO
DIMENSIONS: mm 	TOLERANCES UNLESS OTHERWISE SPECIFIED: 0 PLC ±0.25 1 PLC ±0.25 2 PLC ±0.25 3 PLC ±0.25 4 PLC ± ANGLES ±°	PRODUCT SPEC 108-2431 APPLICATION SPEC 114-13319 WEIGHT CUSTOMER DRAWING		NAME SIZE CAGE CODE DRAWING NO A100779C=2349201
SEE NOTES	SEE NOTES	SCALE 2:1		

LOC		DIST		REVISIONS			
GP	00	P	LTN	DESCRIPTION	DATE	DMN	APVD
		-		SEE SHEET 1	-	-	-



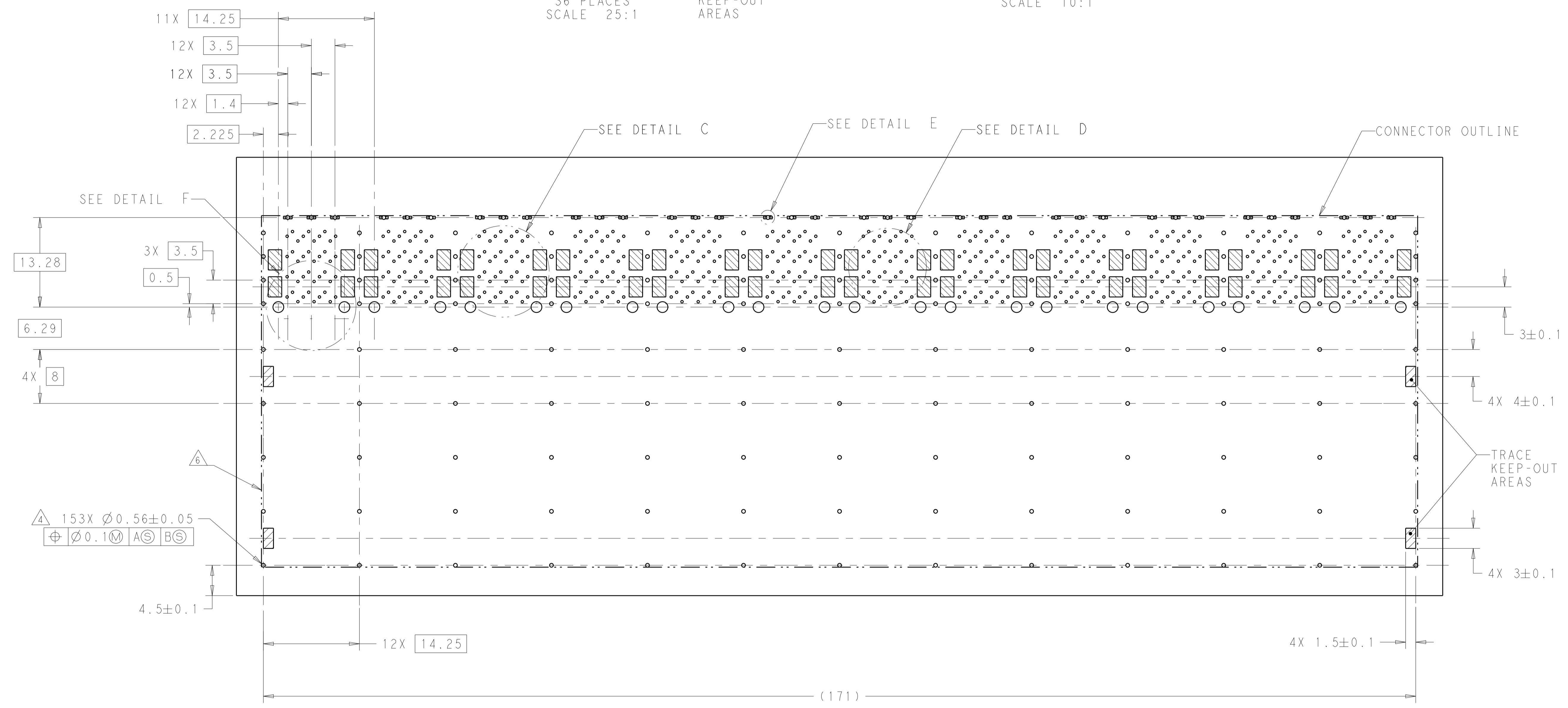
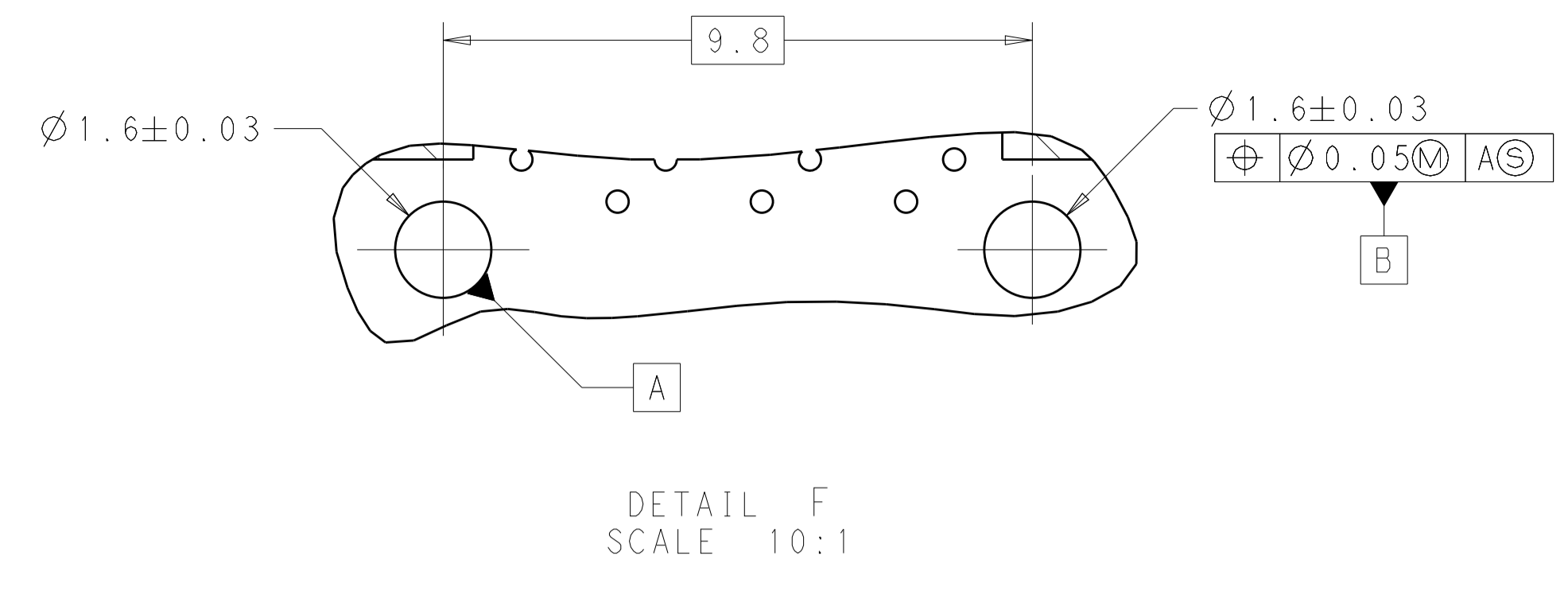
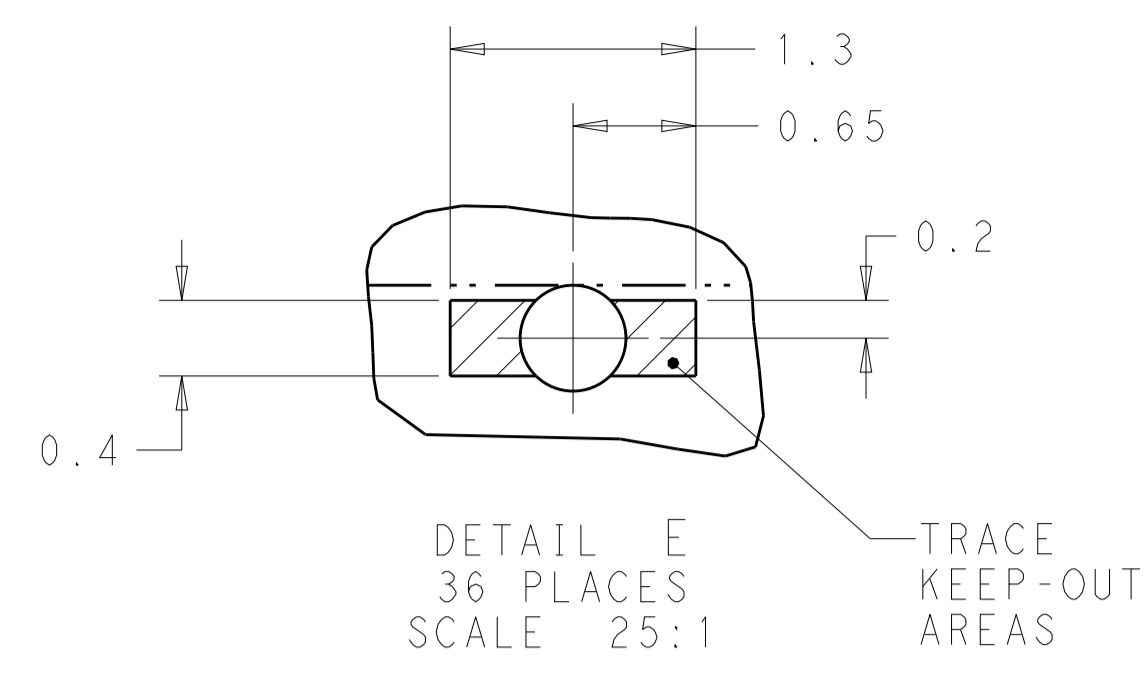
EMI GASKET VERSION



DETAIL G
 12X INDIVIDUALLY
 SCALE 10:1

THIS DRAWING IS A CONTROLLED DOCUMENT. DIMENSIONING AND TOLERANCING PER ASME Y14.5M-2009.		DMN: J. WANG 27FEB2019	TE Connectivity
DIMENSIONS: mm		CHK: S. HAN 27FEB2019	
TOLERANCES UNLESS OTHERWISE SPECIFIED:		APVD: S. HAN 27FEB2019	NAME: -
0 PLC	±0.25	PRODUCT SPEC	SIZE: -
1 PLC	±0.25	108-2431	CAGE CODE: -
2 PLC	±0.25	APPLICATION SPEC	DRAWING NO: A100779C=2349201
3 PLC	±0.25	114-13319	RESTRICTED TO: -
4 PLC	±0.25	WEIGHT: -	SCALE: 2:1
ANGLES	±0.5°	CUSTOMER DRAWING	SHEET 4 OF 6
FINISH	-		REV A

LOC	DIST	REVISIONS			
GP	00	REV	DATE	BY	APPD
-	-	SEE SHEET 1	-	-	-

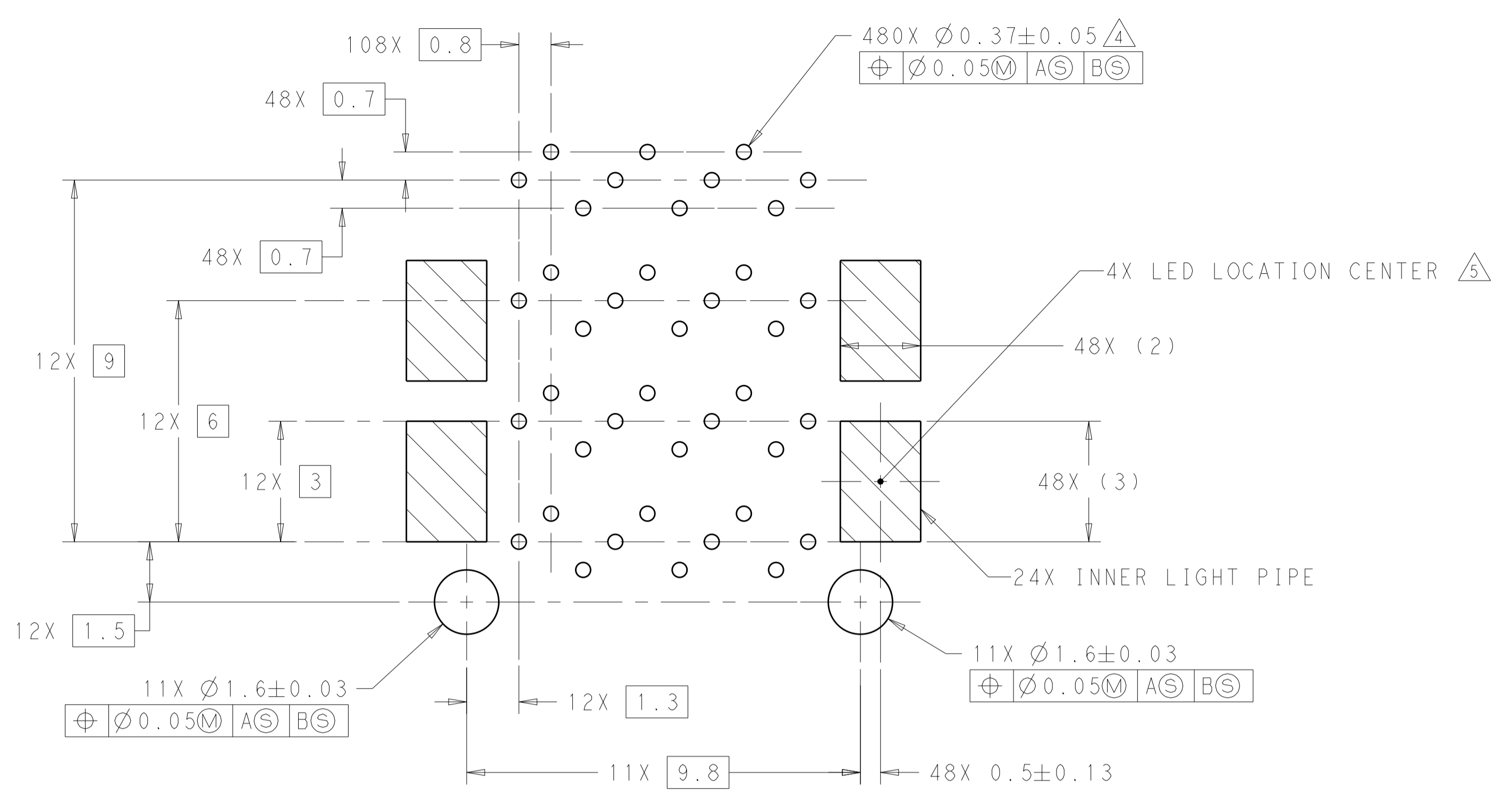
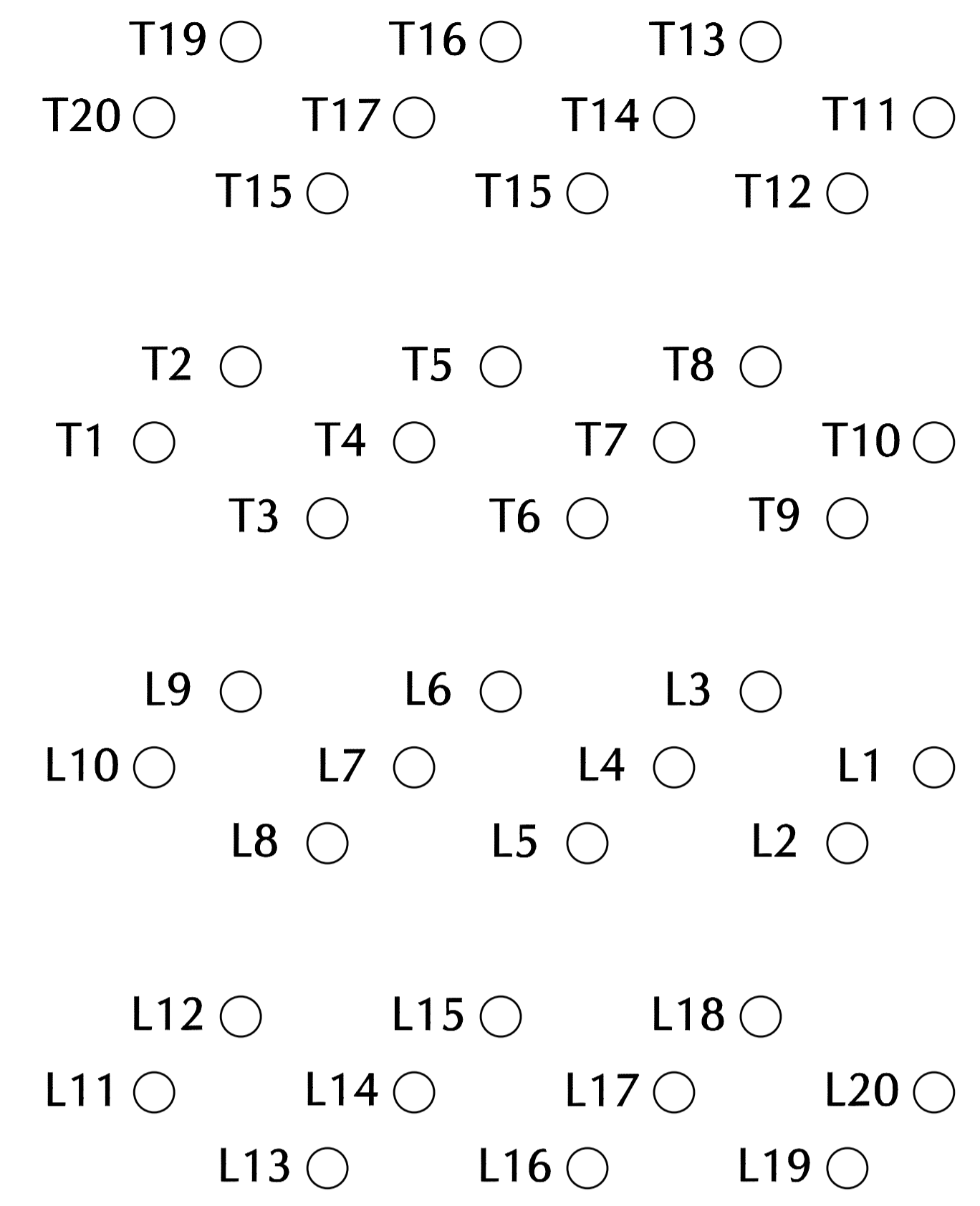


THIS DRAWING IS A CONTROLLED DOCUMENT. DIMENSIONING AND TOLERANCING PER ASME Y14.5M-2009.		DWN: J. WANG 27FEB2019 CHK: S. HAN 27FEB2019 APVD: S. HAN 27FEB2019	TE Connectivity
DIMENSIONS: mm 	TOLERANCES UNLESS OTHERWISE SPECIFIED: 0 PLC ± 0.25 1 PLC ± 0.25 2 PLC ± 0.25 3 PLC ± 0.25 4 PLC ± 0.25 ANGLES: $\pm 0.5^\circ$	NAME: - PRODUCT SPEC: 108-2431 APPLICATION SPEC: 114-13319 WEIGHT: -	
SEE NOTES	SEE NOTES	CUSTOMER DRAWING	RESTRICTED TO: - SCALE: 2:1 SHEET 5 OF 6 REV A

LOC	DIST	REV	DATE	BY	CHKD	APVD
GP	00					

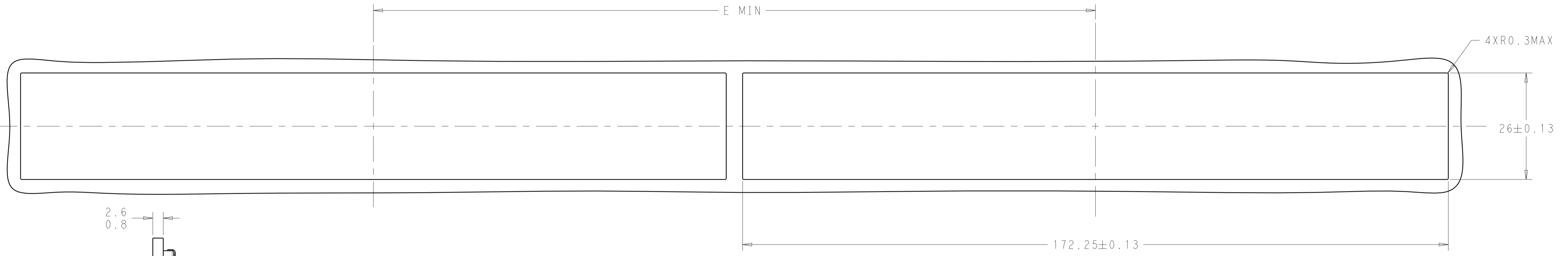
PIN MAP LEGEND

PIN NUMBER	FUNCTION
L1/T1	VEET
L2/T2	TX-FAULT
L3/T3	TX-DISABLE
L4/T4	SDA
L5/T5	SCL
L6/T6	MOD_ABS
L7/T7	RS0
L8/T8	RX_LOS
L9/T9	RS1
L10/T10	VEER
L11/T11	VEER
L12/T12	RD-
L13/T13	RD+
L14/T14	VEER
L15/T15	VCCR
L16/T16	VCCT
L17/T17	VEET
L18/T18	TD+
L19/T19	TD-
L20/T20	VEET

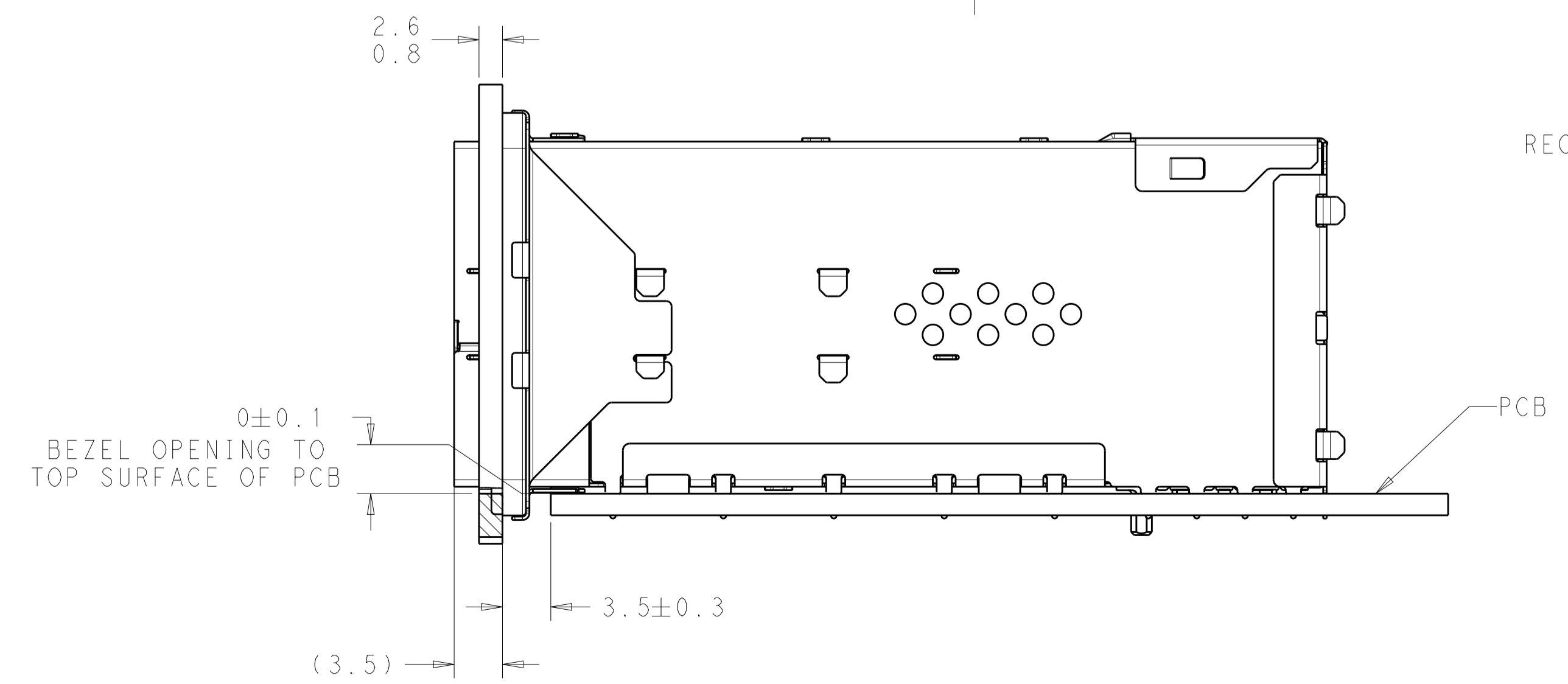


DETAIL C
 RECOMMENDED PIN AND LIGHT PIPE LAYOUT
 SCALE 10:1

DETAIL D
 PIN MAP
 12 PLACES
 SCALE 20:1



RECOMMENDED BEZEL CUT OUT DETAIL



RECOMMENDED BEZEL LOCATION WITH EMI GASKET
 SCALE 3:1

THIS DRAWING IS A CONTROLLED DOCUMENT. DIMENSIONING AND TOLERANCING PER ASME Y14.5M-2009. TOLERANCES UNLESS OTHERWISE SPECIFIED:

DIMENSIONS:	mm	0 PLC ±0.25	1 PLC ±0.25	2 PLC ±0.25	3 PLC ±0.25	4 PLC ±0.25	ANGLES ±°
-------------	----	-------------	-------------	-------------	-------------	-------------	-----------

OWN: J. WANG 27FEB2019
 CHK: S. HAN 27FEB2019
 APVD: S. HAN 27FEB2019

PRODUCT SPEC: 108-2431
 APPLICATION SPEC: 114-13319

SIZE: A1
 CAGE CODE: 00779
 DRAWING NO: 2349201

RESTRICTED TO: -

MATERIAL: SEE NOTES
 FINISH: SEE NOTES

CUSTOMER DRAWING
 SCALE: 2:1
 SHEET: 6 OF 6
 REV: A