


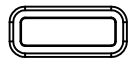


Section A-A

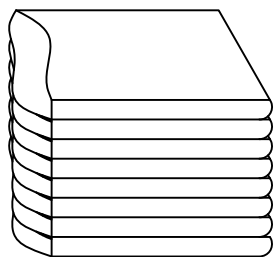


Recomended Waterproof Gasket Spec  
 Material: Silicone  
 Colour:Black  
 Used with: USB3500,USB3505,USB3510

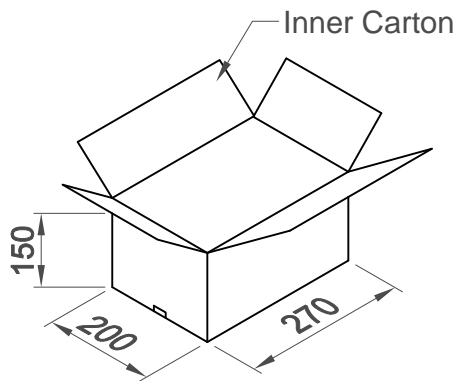
Part Number		Product Description		 <a href="http://www.gct.co">www.gct.co</a>
USBTJ-02		Micro USB Waterproof Gasket		
Drawing Date		21st September 2018		
By	CC	Tolerances (Except as Noted)	Units:	  <small>This drawing is confidential and copyright of Global Connector Technology, Ltd (GCT). This drawing must not be copied or disclosed without written consent. E &amp; OE</small>
Detail	Drawing Release	Length	Metric (mm)	
Revision	A	Angle	3rd Angle Projection	
Date	21/09/18	$X. \pm 0.50$ $X.X \pm 0.30$ $X.XX \pm 0.20$ $X.XXX \pm 0.10$	$\pm 1^\circ$	
Not to Scale	Drawn By	CC	Sheet No.	1/2



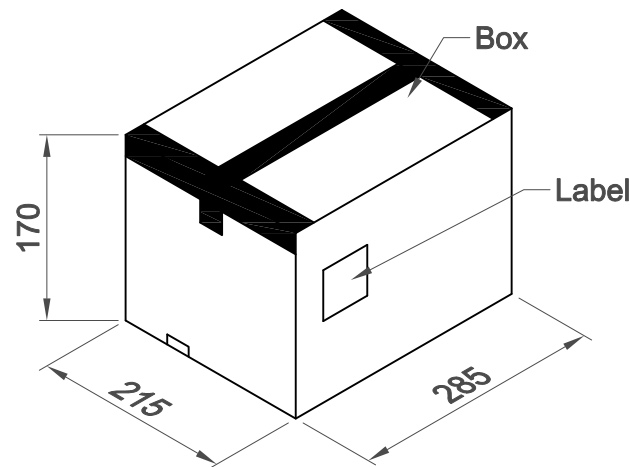
PE Bag



15 Bags






Inner Carton



Box

Label

Pcs / Bag	Bags / Box	Total Quantity
5000	15	75000 pcs

Part Number		Product Description		<b>GCT</b> www.gct.co
USBTJ-02		Micro USB Waterproof Gasket		
Drawing Date		21st September 2018		
By	CC	Tolerances (Except as Noted)	Units:	  This drawing is confidential and copyright of Global Connector Technology, Ltd (GCT). This drawing must not be copied or disclosed without written consent. E & OE
Detail	Drawing Release	Length	Angle	
Revision	A	X. ± 0.50	± 1°	
Date	21/09/18	X.X ± 0.30		
		X.XX ± 0.20		 3rd Angle Projection
		X.XXX ± 0.10		
Not to Scale	Drawn By CC			Sheet No. 2/2