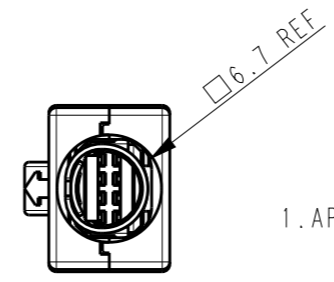
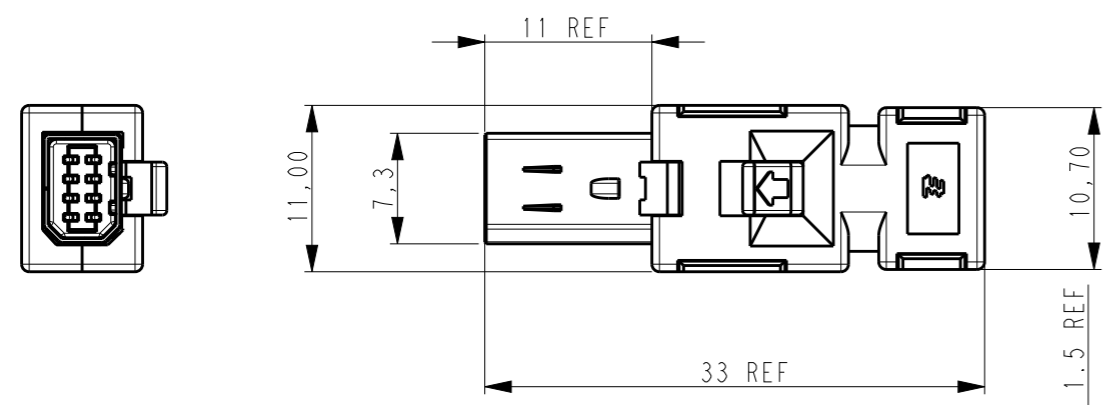


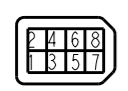
THIS DRAWING IS UNPUBLISHED. RELEASED FOR PUBLICATION 20  
 © COPYRIGHT 20 BY - ALL RIGHTS RESERVED.

REVISIONS					
P	LTR	DESCRIPTION	DATE	DWN	APVD
	D	REVISED	12SEP2013	T.S	N.Y
	D1	ECR-19-000401	10JAN2019	PP	PP
	D2	ECR-19-007308	08MAY2019	SS	PP



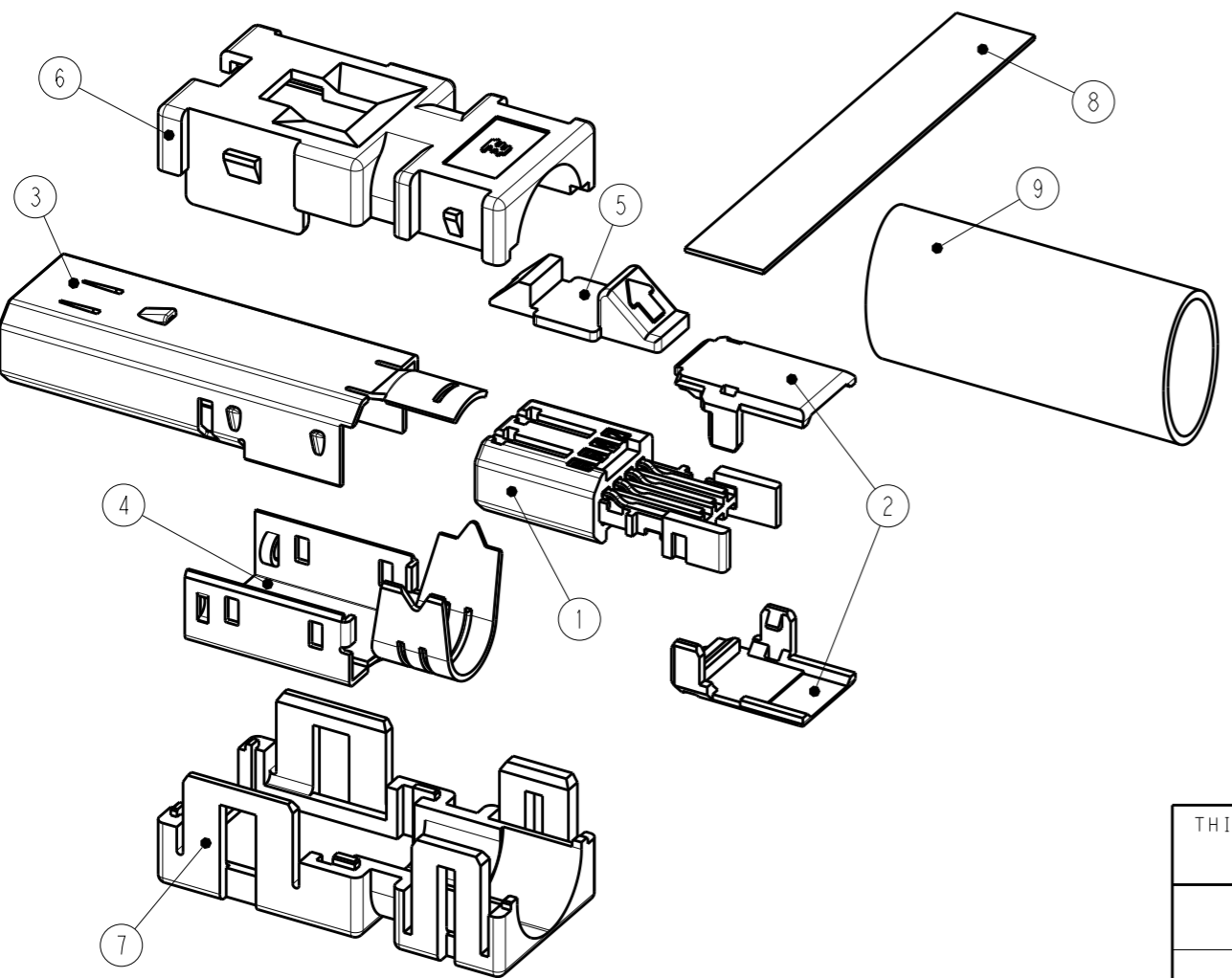
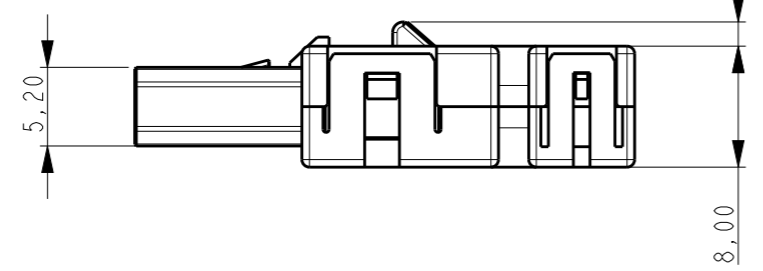
1. APPLICABLE CABLE: RECOMMENDED AWG30-26 X 8C  
MAX AWG22 x4C  
OVERALL DIAMETER 6.7MAX.
2. DATE CODE IS DESCRIBED ON THE BUNDLED CUSTOMER DRAWING.
3. THE PRODUCT OF THIS DRAWING NO. IS PACKED INDIVIDUALLY IN PACKAGE OF EXCLUSIVE USE.

D-SHAPE TYPE 1



CIRCUIT NO.

VIEW



REQ'D/ASSY	MATERIAL / FINISH	PART NAME	COLOR	ITEM NO.
1	CROSS-LINKED POLYOLEFIN	HEAT SHRINKABLE TUBE		⑨
1	ELECTROLYSIS COPPER FOIL, ACRYLIC ADHESIVE MATERIAL	COPPER FOIL TAPE		⑧
1	POLYESTER OF GLASS FILLED THERMO PLASTIC(UL94V-0)	BOTTOM COVER	YELLOW	⑦
-	POLYESTER OF GLASS FILLED THERMO PLASTIC(UL94V-0)	BOTTOM COVER	GREY	
-	POLYESTER OF GLASS FILLED THERMO PLASTIC(UL94V-0)	BOTTOM COVER	BLACK	
1	POLYESTER OF GLASS FILLED THERMO PLASTIC(UL94V-0)	TOP COVER	YELLOW	⑥
-	POLYESTER OF GLASS FILLED THERMO PLASTIC(UL94V-0)	TOP COVER	GREY	
-	POLYESTER OF GLASS FILLED THERMO PLASTIC(UL94V-0)	TOP COVER	BLACK	
1	POLYESTER OF GLASS FILLED THERMO PLASTIC(UL94V-0)	LOCK EJECTOR	WHITE PRINT	⑤
-	POLYESTER OF GLASS FILLED THERMO PLASTIC(UL94V-0)	LOCK EJECTOR	BLACK	
1	STEEL/UNDER:Cu PLATING, TOP:Ni PLATING	BOTTOM SHELL		④
1	STEEL/UNDER:Cu PLATING, TOP:Ni PLATING	TOP SHELL		③
2	POLYESTER OF GLASS FILLED THERMO PLASTIC(UL94V-0)	PLUG HSG COVER		②
2013595-4	CONTACT: COPPER ALLOY UNDER ALL SURFACE: Ni PLATING 1.27± $\mu$ mMIN TOP CONTACT AREA: Au PLATING: 0.5 $\mu$ mMIN SOLDERING AREA: Au FLASH HSG: POLY-AMID OF GLASS FILLED THERMO PLASTIC(UL94V-0)	PLUG HSG SUB ASSY		①

THIS DRAWING IS A CONTROLLED DOCUMENT.

DWN: S. INOMATA 12NOV2007  
 CHK: I. HASEGAWA 12NOV2007  
 APVD: I. HASEGAWA 12NOV2007

PRODUCT SPEC: 108-78405  
 APPLICATION SPEC: 114-5431  
 WEIGHT: -

**STE** TE Connectivity

NAME: INDUSTRIAL MINI I/O PLUG CONNECTOR KIT D-SHAPE TYPE 1

SIZE: A3 CAGE CODE: 00779 DRAWING NO: 2013595 RESTRICTED TO: -

Customer Drawing SCALE: 5:2 SHEET: 1 OF 1 REV: D2