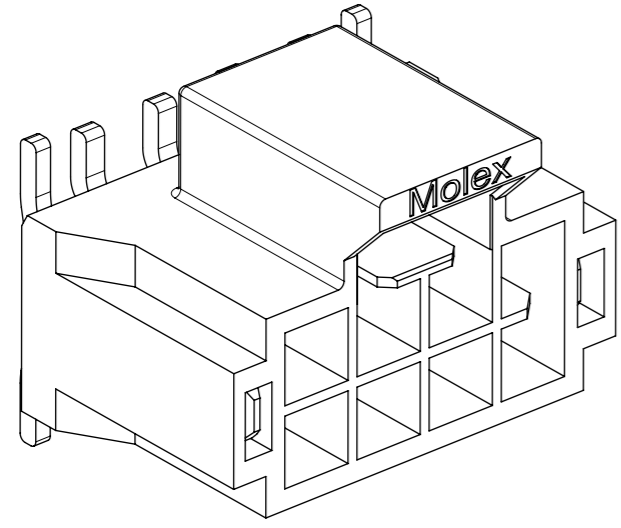
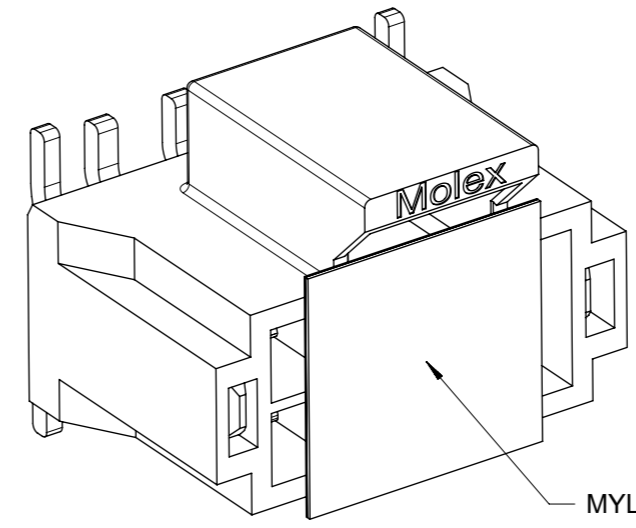


RECOMMENDED PCB LAYOUT(CONNECTOR SIDE VIEW)
THICKNESS=1.6mm MIN. TOLERANCE:±0.05

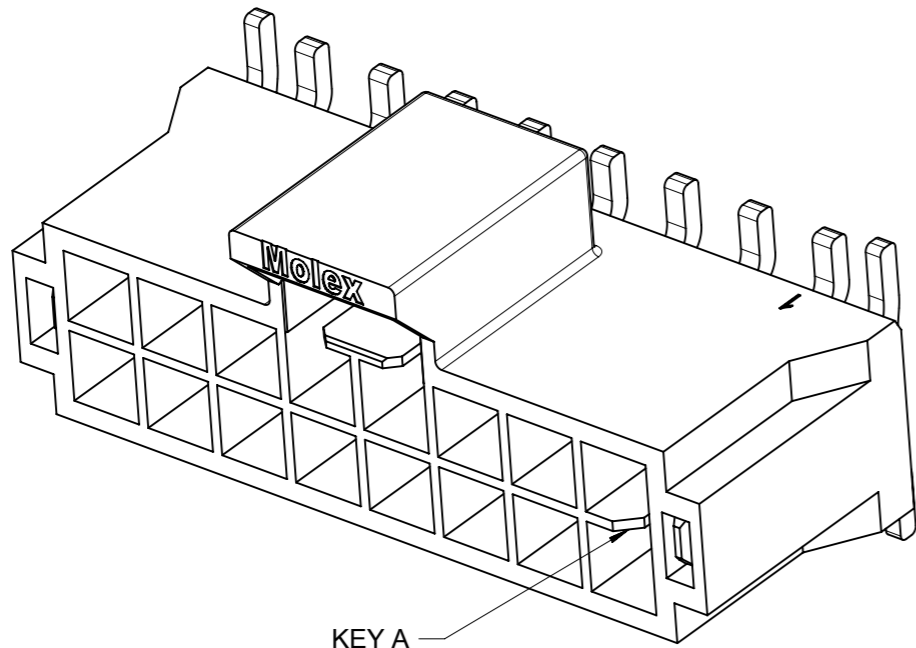


WITHOUT MYLAR

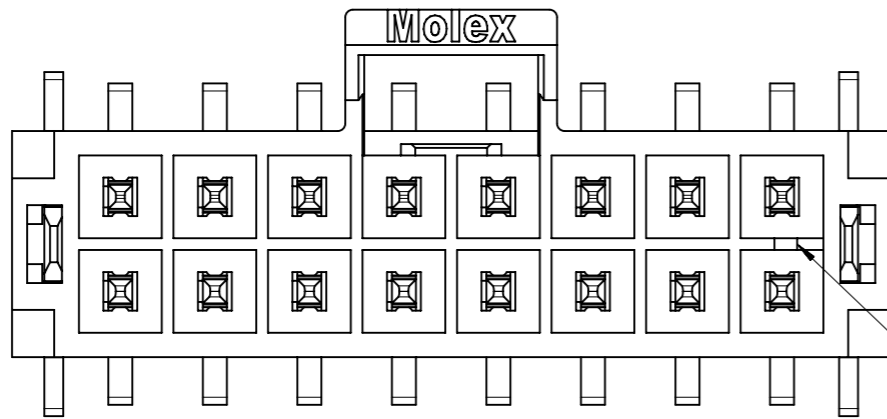


WITH MYLAR
DELIVER TO CUSTOMER

QUALITY SYMBOLS ▽A = 0 ▽E = 0 ▽F = 0 ▼ = 0 ▽C = 0 ⊗ = 0 ■ = 0 ▽ = 0	THIS DRAWING CONTAINS INFORMATION THAT IS PROPRIETARY TO MOLEX ELECTRONIC TECHNOLOGIES, LLC AND SHOULD NOT BE USED WITHOUT WRITTEN PERMISSION										
	RE-MASTER IN ECTR EC NO: 614394 DRWN: GLLI CHK'D: AYIN APPR: AYIN	2019/03/26	2019/04/17	GENERAL TOLERANCES (UNLESS SPECIFIED)		DIMENSION UNITS	SCALE				
		2019/04/17	2019/04/17	ANGULAR TOL ± 3.0 °		mm	5:1				
		4 PLACES	±	DRWN BY		DATE		SD DRAWING FOR NANO-FIT HEADER OF SMT VERTICAL DUAL			
		3 PLACES	±	WJHUO		2014/10/30					
		2 PLACES	± 0.2	CHK'D BY		DATE					
	1 PLACE	± 0.3	APPR BY		DATE		PRODUCT CUSTOMER DRAWING				
	0 PLACES	±	AYIN		2015/03/12		SERIES	MATERIAL NUMBER	CUSTOMER		
	DRAFT WHERE APPLICABLE MUST REMAIN WITHIN DIMENSIONS		A3		THIRD ANGLE PROJECTION		105429	SEE TABLE	GENERAL MARKET		
							DOCUMENT NUMBER	DOC TYPE	DOC PART	SHEET NUMBER	
						SD-105429-001	PSD	000	1 OF 4		

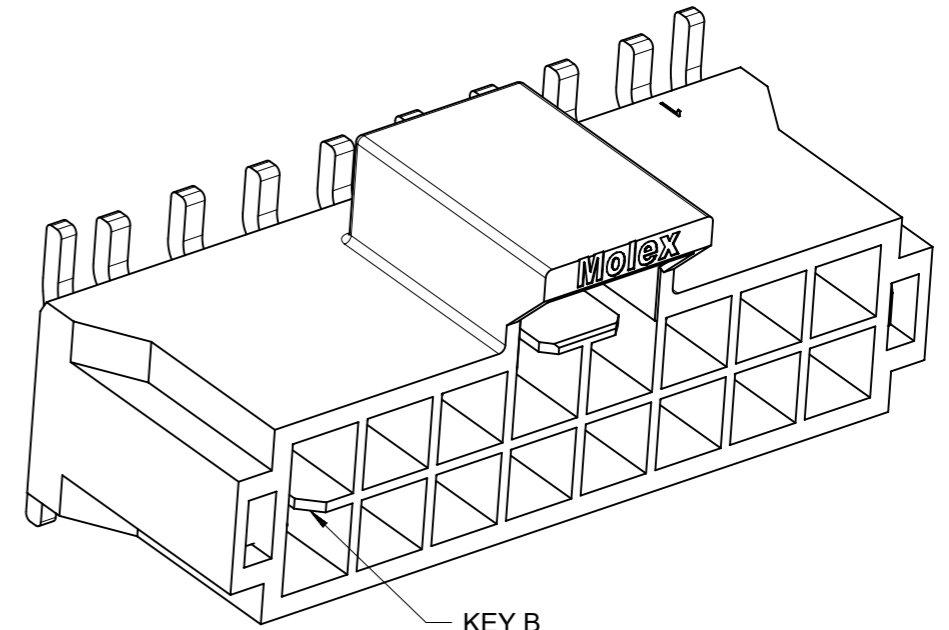


KEY A

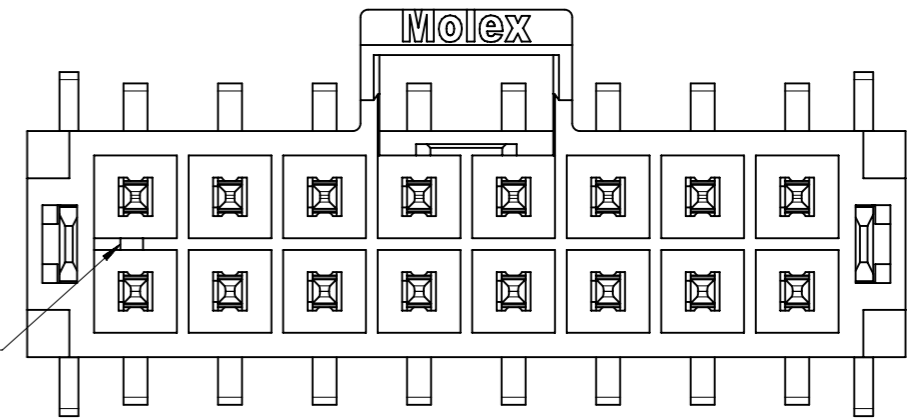


KEY A

BLACK



KEY B



KEY B

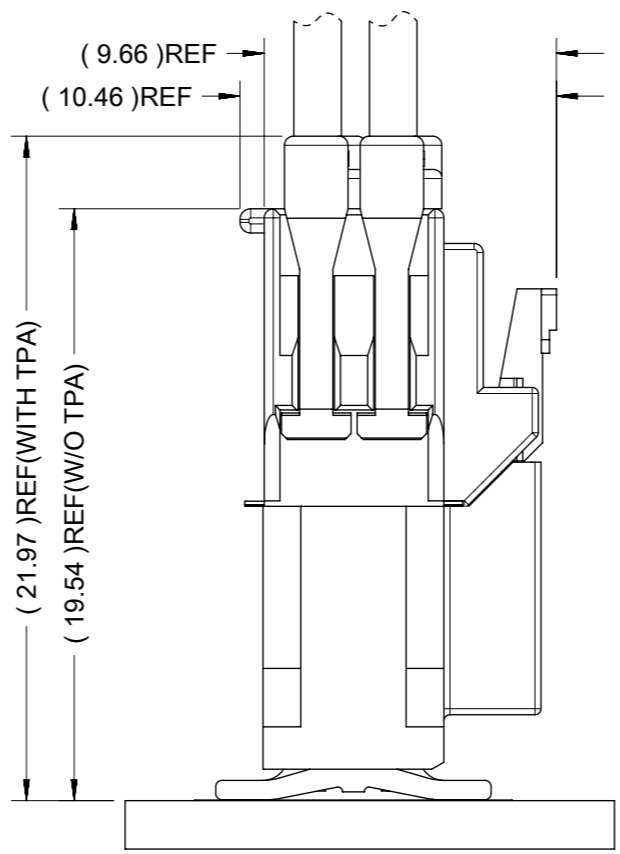
NATURAL

COLOR OPTION

THIS DRAWING CONTAINS INFORMATION THAT IS PROPRIETARY TO MOLEX ELECTRONIC TECHNOLOGIES, LLC AND SHOULD NOT BE USED WITHOUT WRITTEN PERMISSION									
SYMBOLS	DIMENSION UNITS	SCALE	CURRENT REV DESC: RE-MASTER IN ECTR						
	$\nabla = 0$	mm							
$\nabla = 0$	GENERAL TOLERANCES (UNLESS SPECIFIED)		EC NO: 614394				SD DRAWING FOR		
$\nabla = 0$	ANGULAR TOL $\pm 3.0^\circ$		DRWN: GLLI 2019/03/26				NANO-FIT HEADER OF SMT VERTICAL DUAL		
$\nabla = 0$	4 PLACES \pm		CHK'D: AYIN 2019/04/17				PRODUCT CUSTOMER DRAWING		
$\nabla = 0$	3 PLACES \pm		APPR: AYIN 2019/04/17				DOCUMENT NUMBER		
$\nabla = 0$	2 PLACES ± 0.2		INITIAL REVISION:				SD-105429-001		
$\nabla = 0$	1 PLACE ± 0.3		DRWN: RMV02 2016/01/14				DOC TYPE		
$\nabla = 0$	0 PLACES \pm		APPR: AYIN 2017/05/15				DOC PART		
$\square = 0$	DRAFT WHERE APPLICABLE MUST REMAIN WITHIN DIMENSIONS		THIRD ANGLE PROJECTION		DRAWING	SERIES	MATERIAL NUMBER	CUSTOMER	REVISION
$\nabla = 0$					A3-SIZE	105429	GENERAL MARKET	000	C
							SHEET NUMBER		2 OF 4

PART NUMBER	DIM. A	DIM. B	DIM. C	CKT SIZE	PLATING	LUBE
105429-1104	8.23	2.50	6.11	4	TIN	
105429-1106	10.73	5.00	8.61	6		
105429-1108	13.23	7.50	11.11	8		
105429-1110	15.73	10.00	13.61	10		
105429-1112	18.23	12.50	16.11	12		
105429-1114	20.73	15.00	18.61	14		
105429-1116	23.23	17.50	21.11	16		
105429-1204	8.23	2.50	6.11	4		
105429-1206	10.73	5.00	8.61	6		
105429-1208	13.23	7.50	11.11	8		
105429-1210	15.73	10.00	13.61	10		
105429-1212	18.23	12.50	16.11	12		
105429-1214	20.73	15.00	18.61	14		
105429-1216	23.23	17.50	21.11	16		
105429-1304	8.23	2.50	6.11	4	GOLD 0.76	
105429-1306	10.73	5.00	8.61	6		
105429-1308	13.23	7.50	11.11	8		
105429-1310	15.73	10.00	13.61	10		
105429-1312	18.23	12.50	16.11	12		
105429-1314	20.73	15.00	18.61	14		
105429-1316	23.23	17.50	21.11	16		
105429-1404	8.23	2.50	6.11	4		
105429-1406	10.73	5.00	8.61	6		
105429-1408	13.23	7.50	11.11	8		
105429-1410	15.73	10.00	13.61	10		
105429-1412	18.23	12.50	16.11	12		
105429-1414	20.73	15.00	18.61	14		
105429-1416	23.23	17.50	21.11	16		

COLOR: BLACK



PART NUMBER	DIM. A	DIM. B	DIM. C	CKT SIZE	PLATING	LUBE
105429-2104	8.23	2.50	6.11	4	TIN	
105429-2106	10.73	5.00	8.61	6		
105429-2108	13.23	7.50	11.11	8		
105429-2110	15.73	10.00	13.61	10		
105429-2112	18.23	12.50	16.11	12		
105429-2114	20.73	15.00	18.61	14		
105429-2116	23.23	17.50	21.11	16		
105429-2204	8.23	2.50	6.11	4		
105429-2206	10.73	5.00	8.61	6		
105429-2208	13.23	7.50	11.11	8		
105429-2210	15.73	10.00	13.61	10		
105429-2212	18.23	12.50	16.11	12		
105429-2214	20.73	15.00	18.61	14		
105429-2216	23.23	17.50	21.11	16		
105429-2304	8.23	2.50	6.11	4	GOLD 0.76	
105429-2306	10.73	5.00	8.61	6		
105429-2308	13.23	7.50	11.11	8		
105429-2310	15.73	10.00	13.61	10		
105429-2312	18.23	12.50	16.11	12		
105429-2314	20.73	15.00	18.61	14		
105429-2316	23.23	17.50	21.11	16		
105429-2404	8.23	2.50	6.11	4		
105429-2406	10.73	5.00	8.61	6		
105429-2408	13.23	7.50	11.11	8		
105429-2410	15.73	10.00	13.61	10		
105429-2412	18.23	12.50	16.11	12		
105429-2414	20.73	15.00	18.61	14		
105429-2416	23.23	17.50	21.11	16		

COLOR: NATURAL

NOTES FOR ALL PARTS

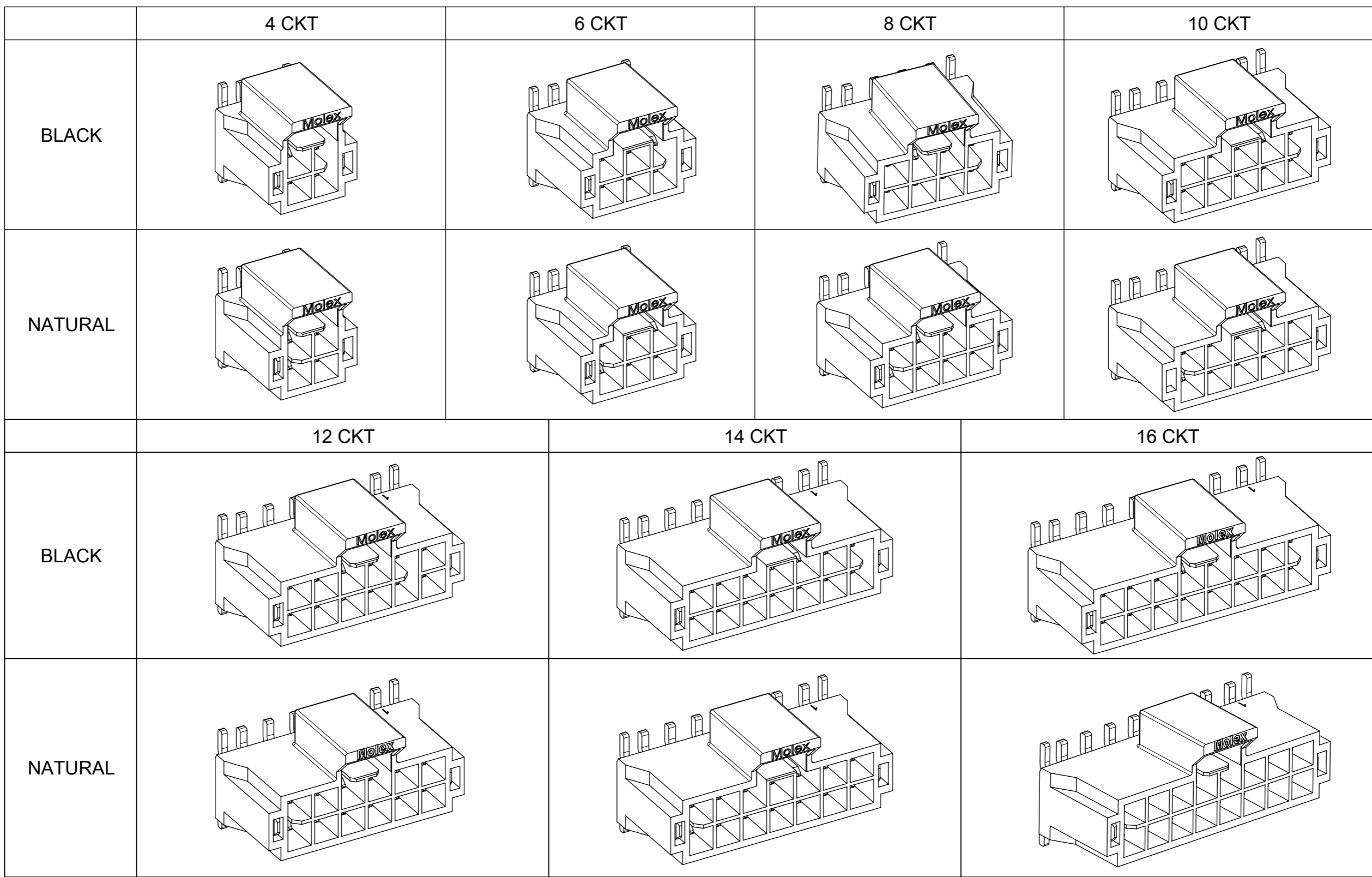
1> MATERIAL:
HOUSING: LCP, UL 94V-0.
TERMINAL: BRASS.
SOLDER CLIP: BRASS.

2> PLATING FINISHED:
TERMINAL:
CONTACT AREA:
a. TIN 0.76 MICRONS MIN; b. GOLD 0.38 MICRONS MIN; c. GOLD 0.76 MICRONS MIN.
SOLDER AREA: TIN 0.76 MICRONS MINIMUM.
UNDER PLATING NICKEL 1.25 MICRONS MINIMUM.
SOLDER CLIP: TIN 2.5 MICRONS MINIMUM; UNDER PLATING NICKEL 1.25 MICRONS MINIMUM.

3> PRODUCT SPECIFICATION: PS-105405-001.
4> PACKAGE: TAPE REEL, DETAILS REFER TO DRAWING 1054291000-PK.
5> ALL COMPONENTS AND PRODUCT COMPLIANT TO RoHS DIRECTIVE 2011/65/EU AND ELV DIRECTIVE 2000/53/EC.
6> PRODUCT MATE WITH SERIES OF 105308(RECEPTACLE), 105300(CRIMP TERMINAL).
7> PARTS CONFORM TO CLASS 'B' REQUIREMENTS OF COSMETIC SPECIFICATION PS-45499-002.

<table border="1"> <tr> <th>QUALITY SYMBOLS</th> <td>▽A = 0</td> <td>▽E = 0</td> <td>▽B = 0</td> <td>▼ = 0</td> <td>▽C = 0</td> <td>⊗ = 0</td> <td>■ = 0</td> <td>▽ = 0</td> </tr> </table>										QUALITY SYMBOLS	▽A = 0	▽E = 0	▽B = 0	▼ = 0	▽C = 0	⊗ = 0	■ = 0	▽ = 0	<p>THIS DRAWING CONTAINS INFORMATION THAT IS PROPRIETARY TO MOLEX ELECTRONIC TECHNOLOGIES, LLC AND SHOULD NOT BE USED WITHOUT WRITTEN PERMISSION</p>									
QUALITY SYMBOLS	▽A = 0	▽E = 0	▽B = 0	▼ = 0	▽C = 0	⊗ = 0	■ = 0	▽ = 0																				
<p>RE-MASTER IN ECTR</p> <p>EC NO: 614394</p> <p>DRWN: GLLI</p> <p>CHK'D: AYIN</p> <p>APPR: AYIN</p>			<p>2019/03/26</p> <p>2019/04/17</p> <p>2019/04/17</p>			<p>GENERAL TOLERANCES (UNLESS SPECIFIED)</p> <p>ANGULAR TOL ± 3.0 °</p> <p>4 PLACES ±</p> <p>3 PLACES ±</p> <p>2 PLACES ± 0.2</p> <p>1 PLACE ± 0.3</p> <p>0 PLACES ±</p>			<p>DIMENSION UNITS</p> <p>mm</p>		<p>SCALE</p> <p>5:1</p>																	
<p>DRWN BY</p> <p>WJHUO</p>			<p>DATE</p> <p>2014/10/30</p>			<p>CHK'D BY</p> <p>DATE</p>			<p>SD DRAWING FOR NANO-FIT HEADER OF SMT VERTICAL DUAL</p>																			
<p>APPR BY</p> <p>AYIN</p>			<p>DATE</p> <p>2015/03/12</p>			<p>DRAWING SIZE</p> <p>A3</p>		<p>THIRD ANGLE PROJECTION</p>				<p>PRODUCT CUSTOMER DRAWING</p>																
<p>DOCUMENT NUMBER</p> <p>SD-105429-001</p>			<p>DOC TYPE</p> <p>PSD</p>			<p>DOC PART</p> <p>000</p>			<p>SHEET NUMBER</p> <p>3 OF 4</p>																			

RELEASE STATUS: P1 | RELEASE DATE: 2019/04/17 | 04:07:59



THIS DRAWING CONTAINS INFORMATION THAT IS PROPRIETARY TO MOLEX ELECTRONIC TECHNOLOGIES, LLC AND SHOULD NOT BE USED WITHOUT WRITTEN PERMISSION											
QUALITY SYMBOLS 		RE-MASTER IN ECTR EC NO: 614394 DRWN: GLLI CHK'D: AYIN APPR: AYIN		GENERAL TOLERANCES (UNLESS SPECIFIED) ANGULAR TOL ± 3.0 ° 4 PLACES ± 3 PLACES ± 2 PLACES ± 0.2 1 PLACE ± 0.3 0 PLACES ± DRAFT WHERE APPLICABLE MUST REMAIN WITHIN DIMENSIONS		DIMENSION UNITS mm		SCALE 3:1		 SD DRAWING FOR NANO-FIT HEADER OF SMT VERTICAL DUAL	
DRWN BY: RMV02 DATE: 2016/01/14		CHK'D BY: AYIN DATE: 2017/05/15		APPR BY: AYIN DATE: 2017/05/15		PRODUCT CUSTOMER DRAWING		SERIES: 105429 MATERIAL NUMBER: [blank] CUSTOMER: GENERAL MARKET			
DRAWING SIZE: A3 THIRD ANGLE PROJECTION:		DOCUMENT NUMBER: SD-105429-001 DOC TYPE: PSD DOC PART: 000 SHEET NUMBER: 4 OF 4									