

NOTES:

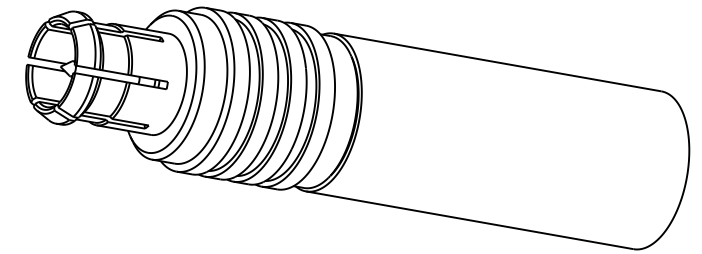
1. MATERIALS AND FINISHES:
  - BODY - BERYLLIUM COPPER, GOLD PLATING
  - REAR BODY - BRASS, GOLD PLATING
  - CONTACT - BRASS, GOLD PLATING
  - INSULATOR - PTFE, NATURAL
  - INSULATOR BEAD - PTFE, NATURAL
2. ELECTRICAL:
  - A. IMPEDANCE: 75 OHM
  - B. FREQUENCY RANGE: DC-12 GHz
  - C. VSWR(RETURN LOSS): 1.22 (20 dB) MAX. @ DC-6 GHz  
1.43 (15 dB) MAX. @ 6-12 GHz
  - D. DIELECTRIC WITHSTANDING VOLTAGE: 500 VRMS, MIN.
3. MECHANICAL:
  - A. DURABILITY: 500 CYCLES MIN.
  - B. TEMPERATURE RANGE: -65°C TO +165°C
  - C. DISENGAGEMENT FORCE: 8 LBS MAX.
4. CABLE ASSEMBLY INSTRUCTIONS:
  - A. TRIM CABLE AS SHOWN.
  - B. SLIDE FERRULE ONTO CABLE.
  - C. INSERT INSULATOR BEAD ONTO CENTER CONDUCTOR.
  - D. SOLDER CONTACT TO CABLE CENTER CONDUCTOR.
  - E. INSERT CABLE INTO CONNECTOR WITH FOIL ENTERING CONNECTOR AND BRAID OVER KNURL.
  - F. CRIMP FERRULE USING .178" HEX DIE.

5. SHOWS CABLE ENTRY DIMENSIONS.

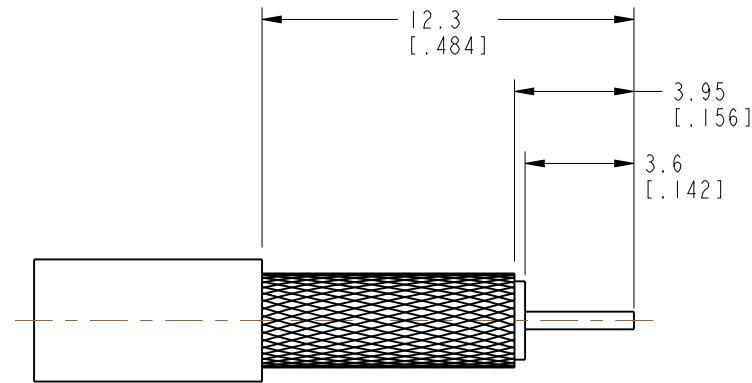
6. PACKAGING:
  - A. QUANTITY: SINGLE PACK
  - B. MARKING: PACKAGING TO BE MARKED  
"AMPHENOL RF, 919-421P-71S12G & DATE CODE"

THIRD ANGLE PROJ.

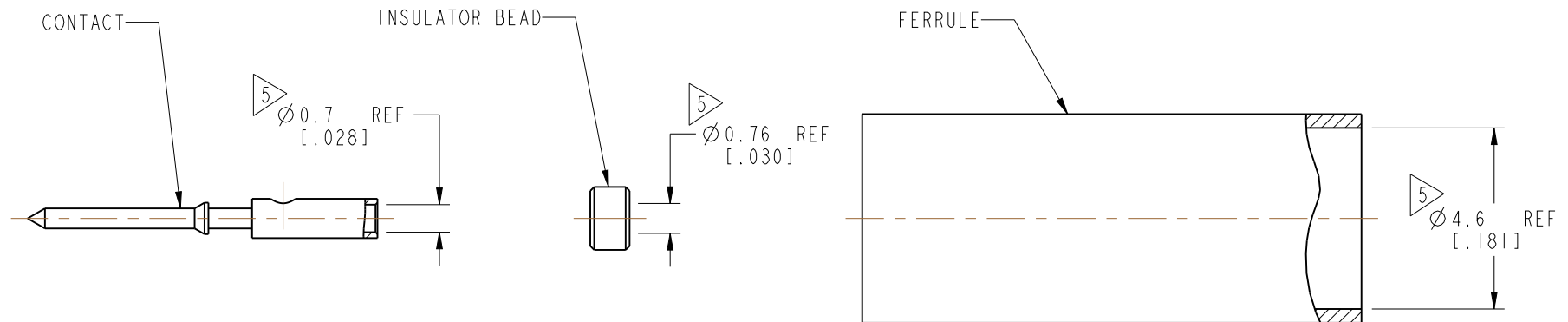
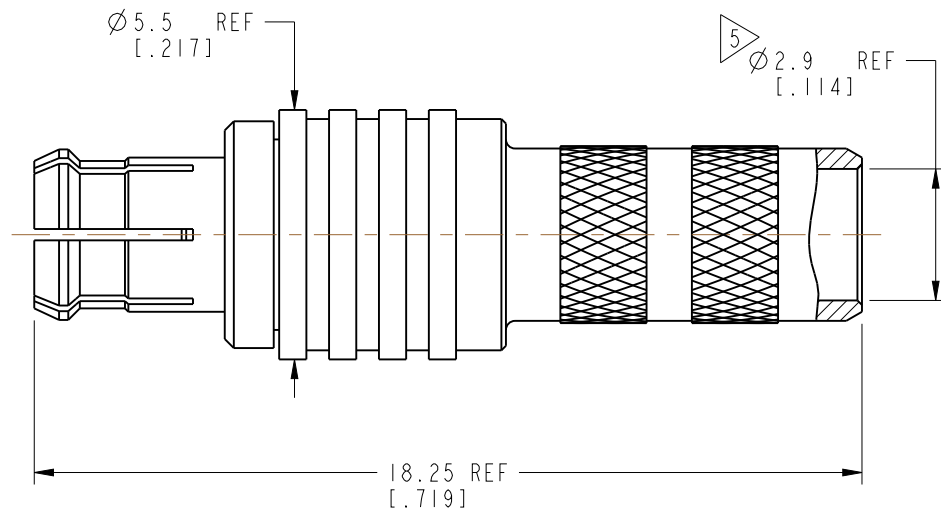
REVISIONS				
REV	DESCRIPTION	DATE	ECN	APPR
A	RELEASE TO MFG.	08-Aug-19	12525	EH



SCALE 4.000



RECOMMENDED  
CABLE STRIPPING DIMENSIONS



**CUSTOMER OUTLINE DRAWING**

ALL OTHER SHEETS ARE FOR INTERNAL USE ONLY

UNLESS OTHERWISE SPECIFIED, DIMENSIONS ARE IN METRIC AND TOLERANCES ARE: <0.5mm ± 0.05mm    0.5 - 6mm ± 0.1mm    6 - 30mm ± 0.2mm    30 - 120mm ± 0.3mm    ANGLES ± 1°	MATERIAL NOTE 1	DRAWN E. HILL	DATE 13-May-19	TITLE 75 OHM MCX PLUG FOR BELDEN 4855R		Amphenol RF www.amphenolrf.com	
	REFERENCE EAR# 8605 REF: ---	ENGINEER E. HILL	DATE 13-May-19				
NOTICE - These drawings, specifications, or other data (1) are, and remain the property of Amphenol corp. (2) must be returned upon request; and (3) are confidential and not to be disclosed to any person other than those to whom they are given by Amphenol Corp. the furnishing of these drawings, specifications, or other data by Amphenol Corp., or to any other person to anyone for any purpose is not to be regarded by implication or otherwise in any manner licensing, granting rights to permitting such holder or any other person to manufacture, use or sell any product, process or design, patented or otherwise, that may in any way be related to or disclosed by said drawings, specifications, or other data.	CONFIGURATION LEVEL: In Work	APPROVED K. CAPOZZI	DATE 08-Aug-19	SCALE: 6.0:1.0	SHEET 2 OF 2	ITEM NO. 919-421P-71S12G	PART NO. 919-421P-71S12G
	FINISH	CAD FILE	DWG SIZE B	REV A			