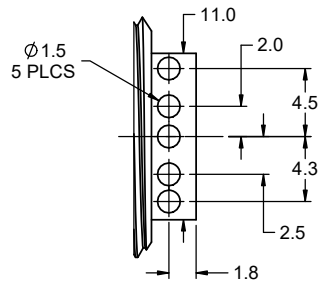
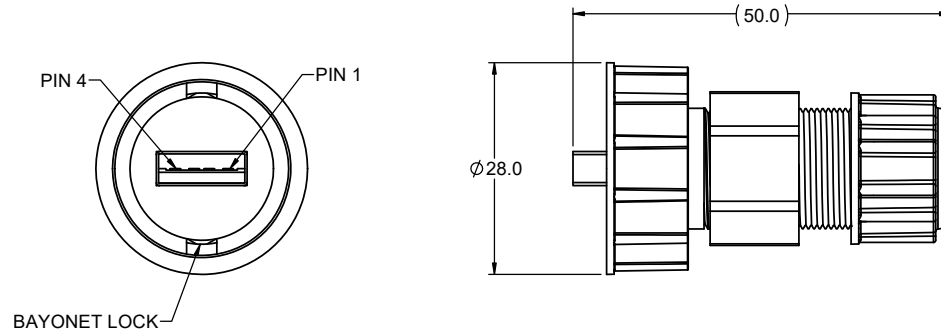
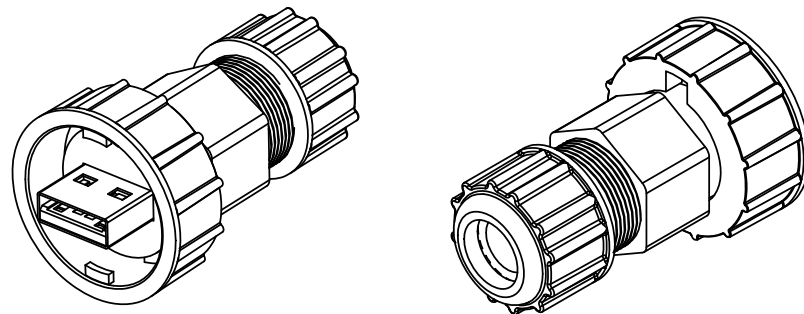
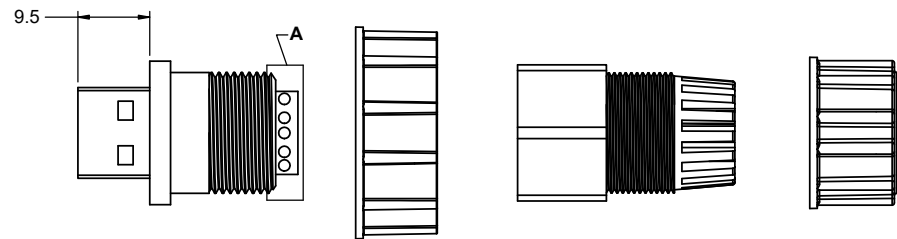




REVISIONS			
REV	DESCRIPTION, ECN, EAR NO.	DATE	APPD
C	PART NUMBE UPDATED	APR04/19	S.M.
D	NOTE UPDATED	APR12/19	S.M.



**DETAIL A
PCB LAYOUT
SCALE 4 : 1**



ORDERING CODE: MRU - A F 2 1 - 4 0 0 0

SERIES _____
STYLE _____
 A = USB 2.0 TYPE A
CONNECTOR TYPE _____
 M = MALE
CONNECTOR MOUNTING FEATURE _____
 2 = FIELD INSTALLABLE 180°
 LOCKING BAYONET TYPE
WIRE LENGTH _____
 00 = NO WIRE
COVER OPTION _____
 0 = NO COVER
TERMINATION _____
 4 = PCB FOR HARDWIRE
PLATING _____
 1 = GOLD AT MATING AREA STANDARD

NOTES:

- MATERIAL:** ALL MATERIALS ARE RoHS COMPLIANT PER EU DIRECTIVE 2011/65/EU & AMENDMENTS:
 - HOUSING, LOCK, RING & NUT: GLASS FILLED THERMOPLASTIC, UL FLAMMABILITY RATING 94V-0, BLACK
 - PCB: FR4 FIBER GLASS
 - GASKETS: SILICON RUBBER
 - CONTACT: COPPER ALLOY PLATED WITH GOLD OVER NICKEL IN MATING AREA
 - SHIELD: STAINLESS STEEL
- SPECIFICATIONS:**
 - NUMBER OF CONTACTS: 4
 - WIRE GAUGE: 24 AWG
 - INGRESS PROTECTION: IP67 / 68
 - MECHANICAL LIFE: 1500 MATING CYCLES
 - OPERATING TEMPERATURE: -45 - +85°C
 - DWV: 500VAC / 1 MINUTE @ SEA LEVEL
 - SPEED: 480 Mbps
 - CONTACT RESISTANCE: 30 MILLIOHMS MAX.
 - INSULATION RESISTANCE: 1000 MEGOHMS MIN.
 - CURRENT RATING: 1.5 A
 - MAX TORQUE FOR RUNNING THREAD: 0.5 IN-LBS MAX
 - MATING FORCES: MATING 35N MAX, UNMATING 10N MIN
- RECOMMENDED CABLE OD:** ϕ 3.5mm (.138") - ϕ 6.8mm (.268")
- PRODUCT SPEC #S6148C**

UNLESS SPECIFIED OTHERWISE	DRAWN	B COPPING	SEP7/18
PRIMARY UNITS MILLIMETERS	CHECKED	S.MUGAN	SEP7/18
SECONDARY	M.E. APPD	C.ZHONG	SEP8/18
REFERENCE IN PARENTHESES	Q.A. APPD		
GENERAL TOLERANCES	DWG APPR.	A.GREEN	SEP10/18
1 DECIMAL PLACE	ENG. REL. NO.	ECN 180082	
2 DECIMAL PLACES ± 0.15	REF.		
3 DECIMAL PLACES	THIRD ANGLE PROJECTION		
ANGULAR DEGREES			

Amphenol Canada Corp. Commercial Products	
MRU SERIES CONNECTOR, USB 2.0 TYPE A, BAYONET LOCK PLUG FOR HARDWIRE TERMINATION, RoHS COMPLIANT	
DWG. NO.	P-MRU-AM21-4000
CODE ID NO.	03554
DWG SIZE:	X
SCALE:	2:1
SHEET	1 OF 1