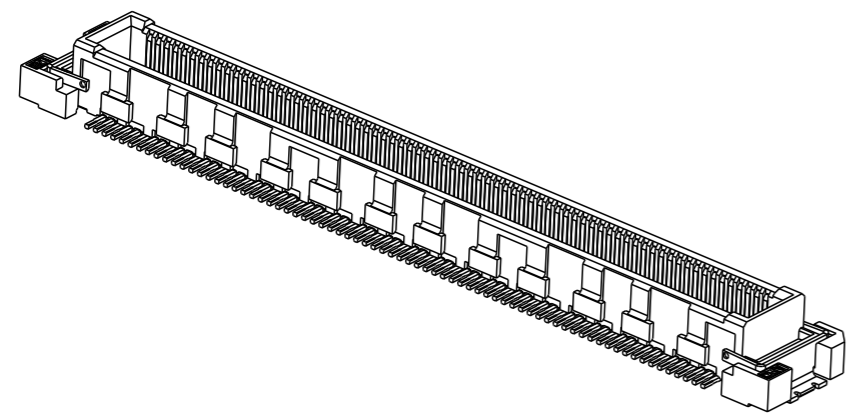
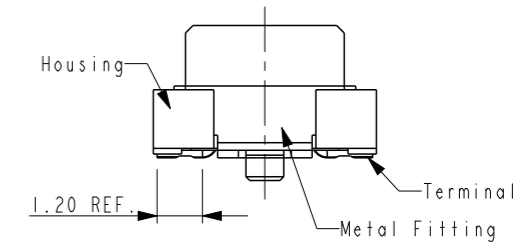
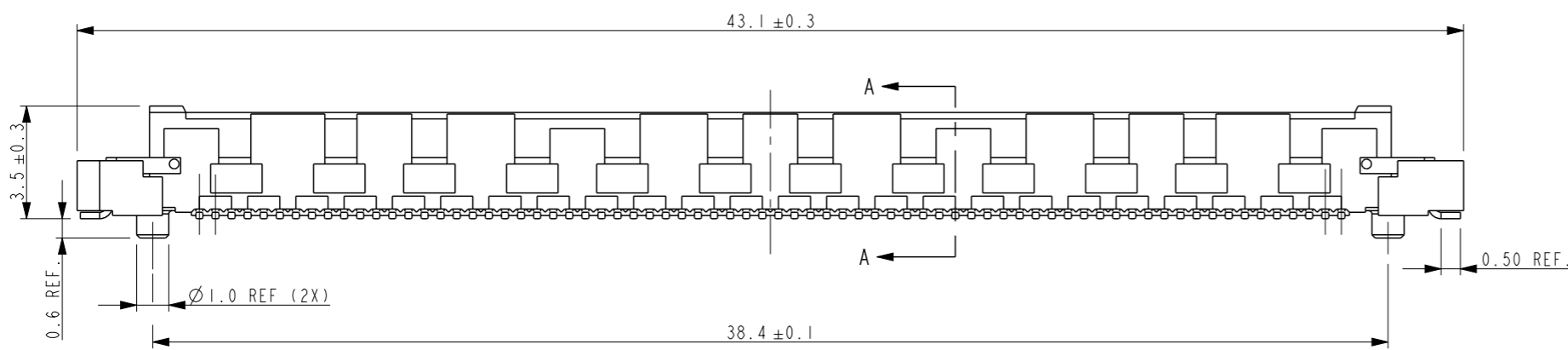
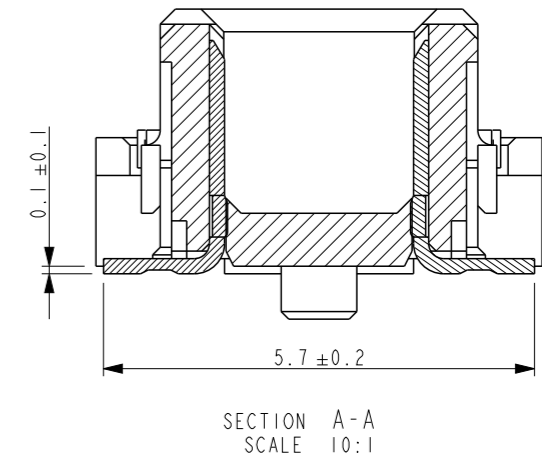
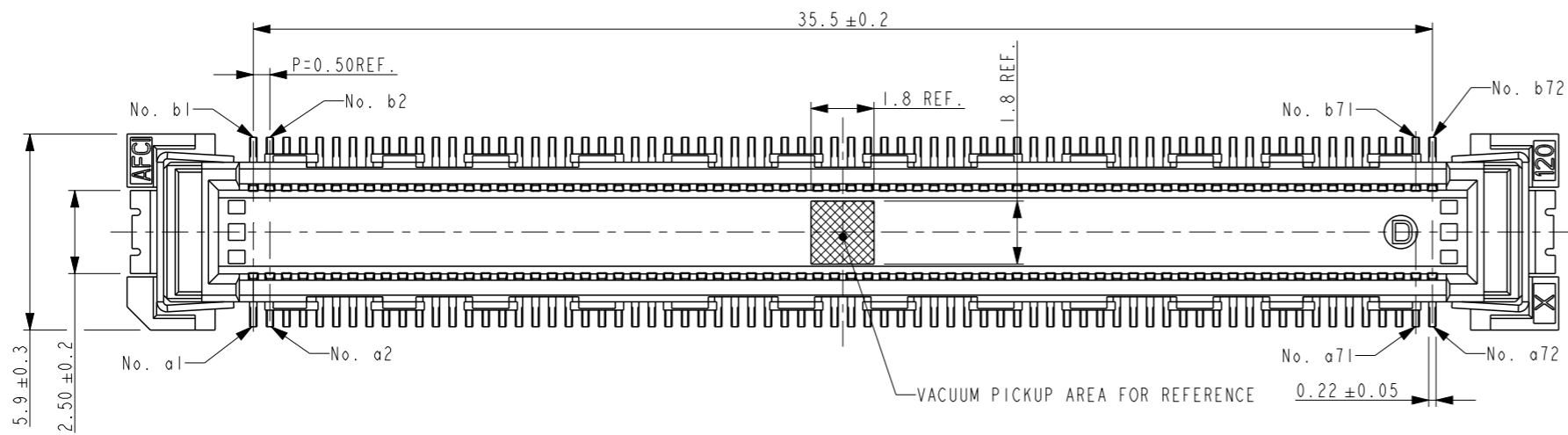


PRODUCT NO.
10147520-144-SHLF



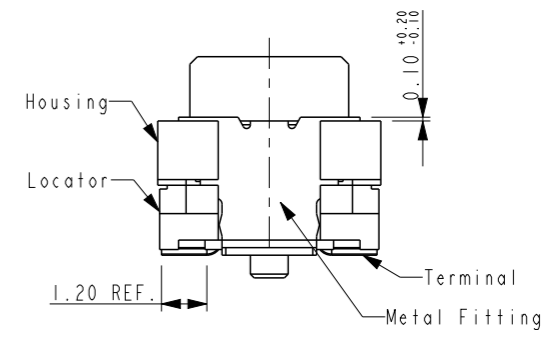
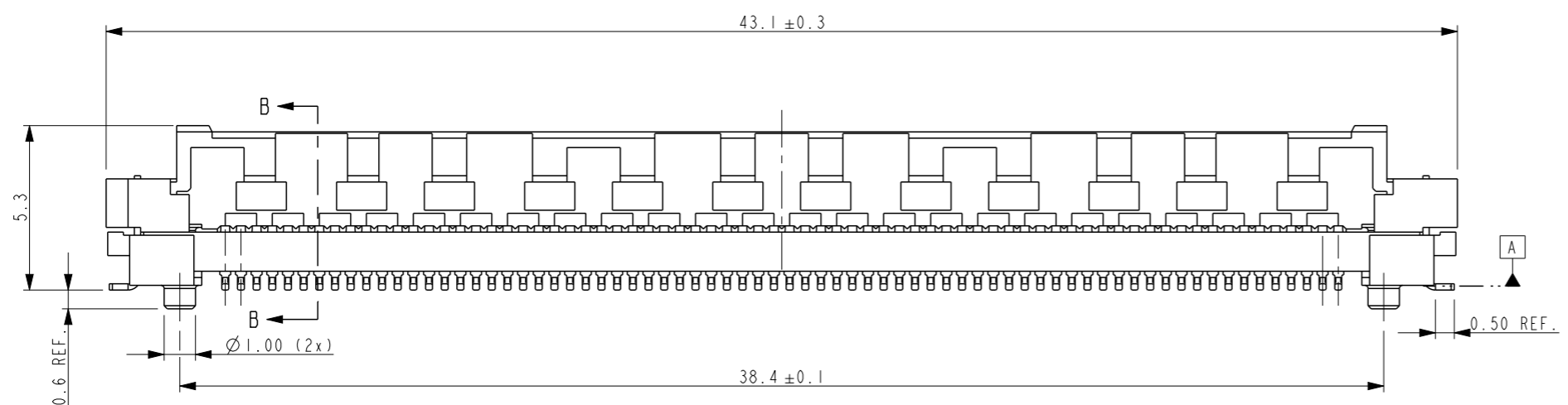
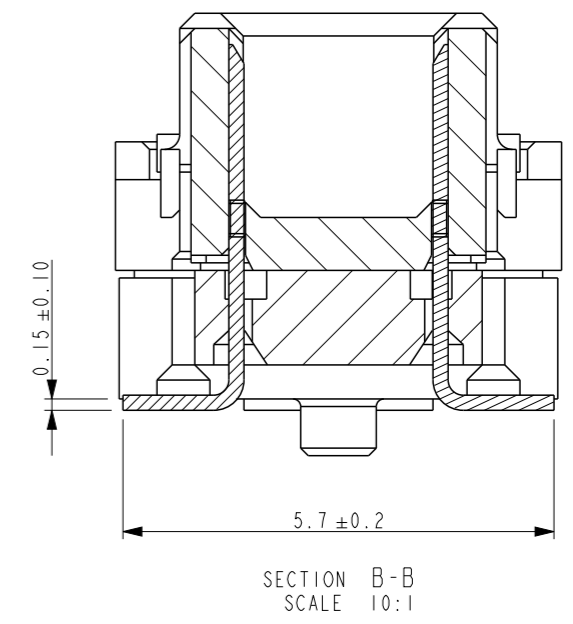
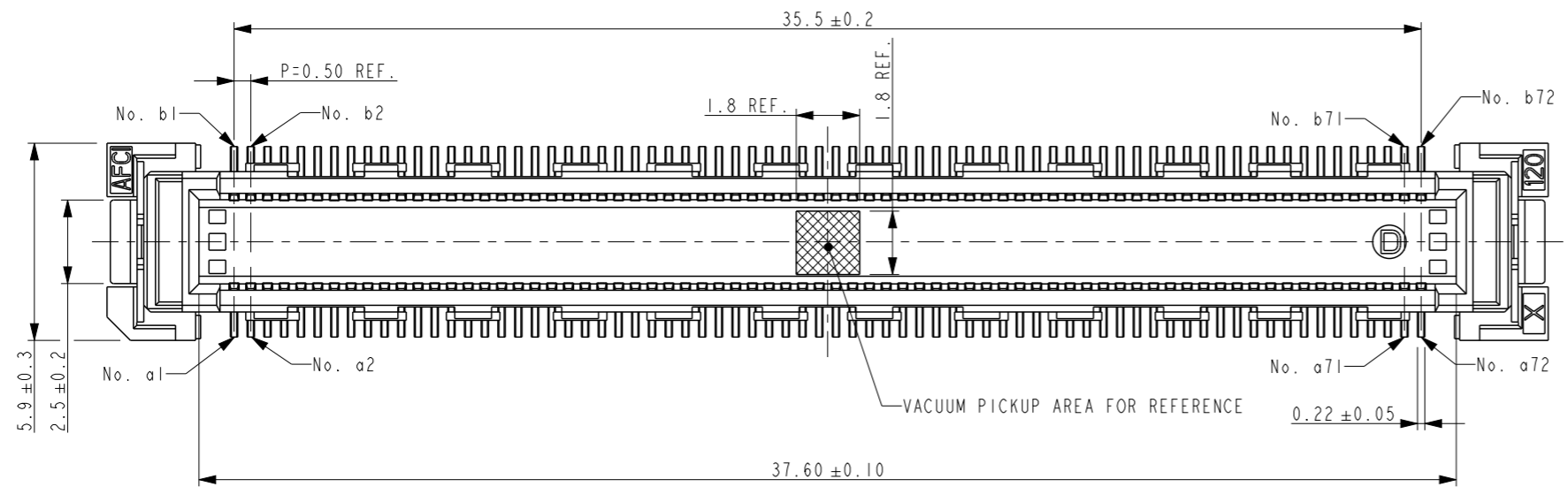
- NOTES:
- MATERIAL:
 - HOUSING: LCP BEIGE, UL94V-0
 - TERMINAL AND METAL FITTING: COPPER ALLOY.
 - PLATING:
 - GOLD FLASH ON SOLDER AREA;
 - 0.76 μM AU ON MATING AREA.
 - PRODUCTION SPECIFICATION GS-12-1529;
 - THIS HOUSING WILL WITHSTAND EXPOSURE TO 260°C PEAK TEMPERATURE FOR 20 SECONDS IN A IR REFLOW SOLDERING APPLICATION;
 - THIS PRODUCT MEETS EUROPEAN UNION DIRECTIVES AND OTHER COUNTRY REGULATIONS AS DESCRIBED IN GS-22-008;
 - SMT LEAD-COPLANARITY: 0.1 MAX.

spec ref	*	dr	Li-Qing Lei	2019/05/24	projection	mm	size	A3	scale	5:1
tolerance std	TOLERANCES UNLESS OTHERWISE SPECIFIED	eng	Li-Qing Lei	2019/07/24			ecn no	-	rel level	Released
		chr	-	-						
		appr	Tim Yao	2019/07/24	product family					
surface	linear	0.X	±0.30	Amphenol FCI	Header Connector 0.5P BTB	title 0.5P BTB	dwg no 10147520	rev A		
		0.XX	±0.15							
		0.XXX	±0.05							
ASME Y14.5	angular	0°	±2°	cat. no.	Product - Customer Drw	sheet 1 of 3				

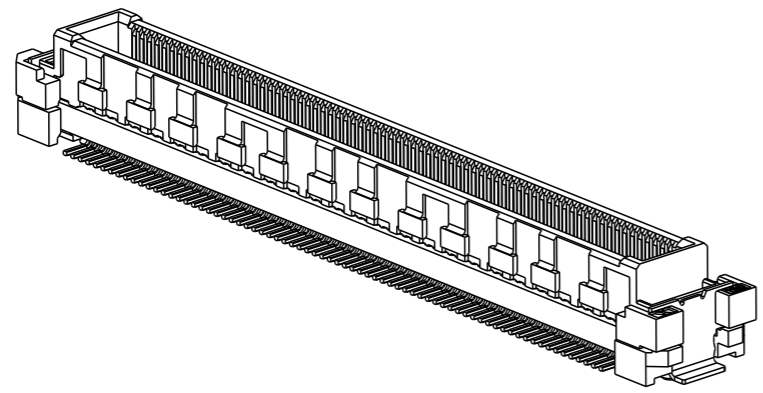
Amphenol FCI

© 2016 AFCI

PRODUCT NO.
10147520-144-THLF



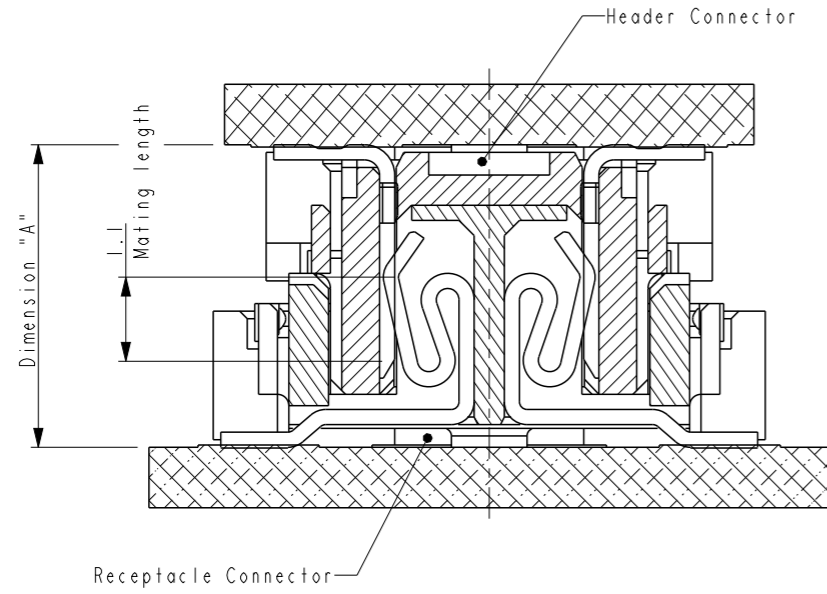
- NOTES:
- MATERIAL:
 - HOUSING AND LOCATOR: LCP BEIGE. UL94V-0
 - TERMINAL AND METAL FITTING: COPPER ALLOY.
 - PLATING:
 - GOLD FLASH ON SOLDER AREA;
 - 0.76 μm AU ON MATING AREA.
 - PRODUCTION SPECIFICATION GS-12-1529;
 - THIS HOUSING WILL WITHSTAND EXPOSURE TO 260°C PEAK TEMPERATURE FOR 20 SECONDS IN A IR REFLOW SOLDERING APPLICATION;
 - THIS PRODUCT MEETS EUROPEAN UNION DIRECTIVES AND OTHER COUNTRY REGULATIONS AS DESCRIBED IN GS-22-008;
 - SMT LEAD-COPLANARITY: 0.1 MAX.



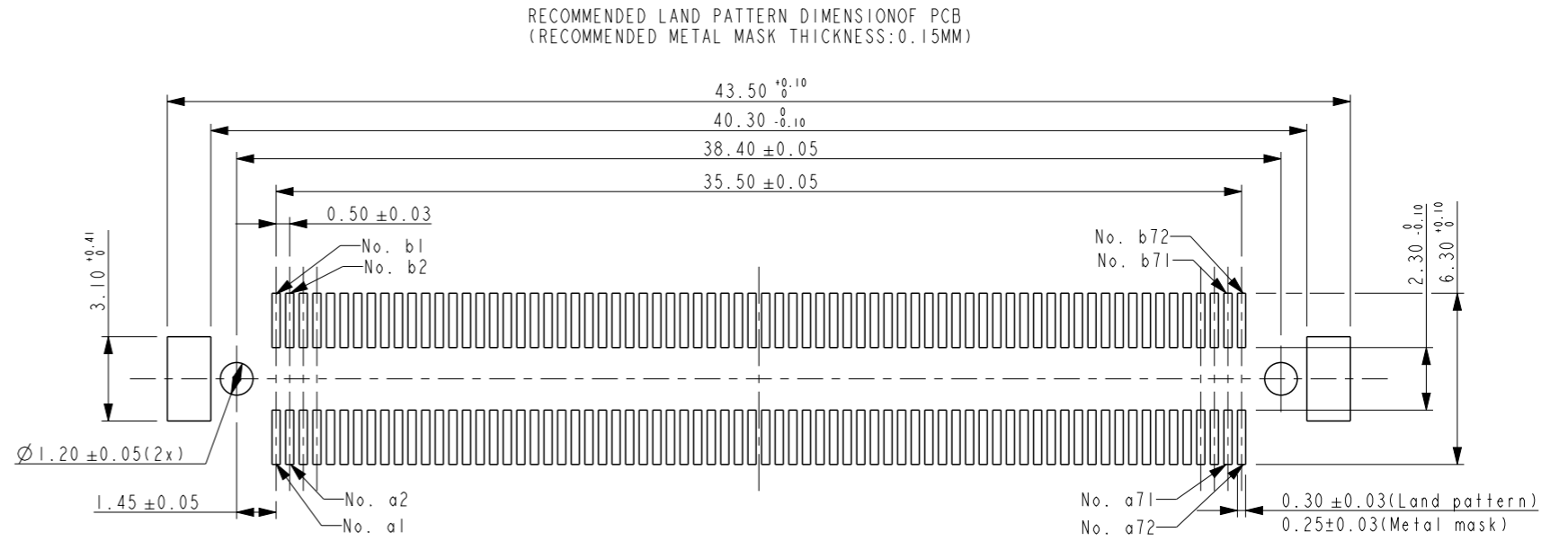
spec ref	*	dr	Li-Qing Lei	2019/05/24	projection	mm	size	A3	scale	5:1
tolerance std	TOLERANCES UNLESS OTHERWISE SPECIFIED	eng	Li-Qing Lei	2019/07/24			ecn no	-	rel level	Released
surface	linear	chr	-	-						
ASME Y14.5	angular	appr	Tim Yao	2019/07/24	product family	Header Connector	dwg no	10147520	rev	A
	0.X ±0.30									
	0.XX ±0.15									
	0.XXX ±0.05									
	0° ±2°									
		cat. no.	Product - Customer Drw		sheet 2 of 3					

Amphenol FCI

© 2016 AFCI



Stack height	10147523-144-IHLF
	Dimension "A"
10147520-144-SHLF	4.3+0.2/-0.127
10147520-144-THLF	6.0±0.127



spec ref	*	dr	Li-Qing Lei	2019/05/24	projection	mm	size	A3	scale	4:1											
tolerance std	TOLERANCES UNLESS OTHERWISE SPECIFIED	eng	Li-Qing Lei	2019/07/24			ecn no	-	rel level	Released											
surface	<table border="1"> <tr> <td>linear</td> <td>0.X</td> <td>±0.30</td> </tr> <tr> <td></td> <td>0.XX</td> <td>±0.15</td> </tr> <tr> <td></td> <td>0.XXX</td> <td>±0.05</td> </tr> <tr> <td>ASME Y14.5</td> <td>angular</td> <td>0°</td> <td>±2°</td> </tr> </table>	linear	0.X	±0.30				0.XX	±0.15		0.XXX	±0.05	ASME Y14.5	angular	0°	±2°	appr	Tim Yao	2019/07/24	product family	
linear	0.X	±0.30																			
	0.XX	±0.15																			
	0.XXX	±0.05																			
ASME Y14.5	angular	0°	±2°																		
		Amphenol FCI			Header Connector 0.5P BTB		dwg no	10147520	rev	A											
		cat. no.			Product - Customer Drw			sheet 3 of 3													