

4

3

2

1

THIS DRAWING IS UNPUBLISHED.

RELEASED FOR PUBLICATION

-- --

REVISIONS

© COPYRIGHT - TE Connectivity Ltd.

ALL RIGHTS RESERVED.

P	LTR	DESCRIPTION	DATE	DWN	APVD
	C	REVISED (ECR-19-011814)	26JUL2019	HX	WH

NOTE:

1. MATERIAL:

HOUSING: LCP, WITH 40% GF, UL 94V-0, NATURAL COLOR.

SPACER: LCP, WITH 30% GF, UL 94V-0, BLACK COLOR.

CONTACTS: PHOSPHOR BRONZE.

HOLD DOWN: BRASS.

2. FINISH:

CONTACTS: GOLD FLASH PLATED ALL CONTACT AREA,

1.27 μ m [50 μ "] MIN. NICKEL UNDERPLATED OVER ALL.HOLD DOWN: 3.04 μ m [120 μ "]~5.08 μ m [200 μ "] MATTE-TIN OVER ALL.1.27 μ m [50 μ "] MIN. NICKEL UNDERPLATED OVER ALL.

3. REFLOW SOLDER CAPABLE TO 260°C PER TEST SPEC.

109-201, CONDITION B.

RECOMMENDED P.C. BOARD PATTERN LAYOUT
METAL MASK: T=0.15, TOLERANCE: ± 0.05

POS.	PN	DIM.A	DIM.B	DIM.C	DIM.D	DIM.E	DIM.F	DIM.G	DIM.H	DIM.I
40	4-2041215-0	19.50	24.90	20.60	20.65	25.23	22.00	25.60	22.10	20.50
60	2041215-1	29.50	34.90	30.60	30.65	35.23	32.00	35.60	32.10	30.50

THIS DRAWING IS A CONTROLLED DOCUMENT.

DWN J. LAI 17SEP2009

CHK S. CHIEN 17SET2009

APVD W. KODAMA

PRODUCT SPEC

APPLICATION SPEC

108-57789

WEIGHT -

CUSTOMER DRAWING

NAME
ZIF FPC 0.50mm PITCH CONNECTOR,
2.5mm HIGH, LOCK TYPE

SIZE A3 CAGE CODE 00779 DRAWING NO C=2041215 RESTRICTED TO -

SCALE 1:1 SHEET 1 OF 1 REV C

1470-19 (1/15)

4

3

2

1

THIS DRAWING IS UNPUBLISHED.

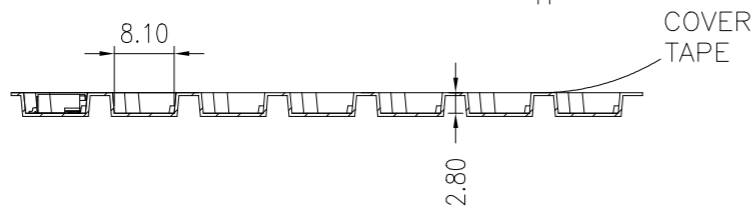
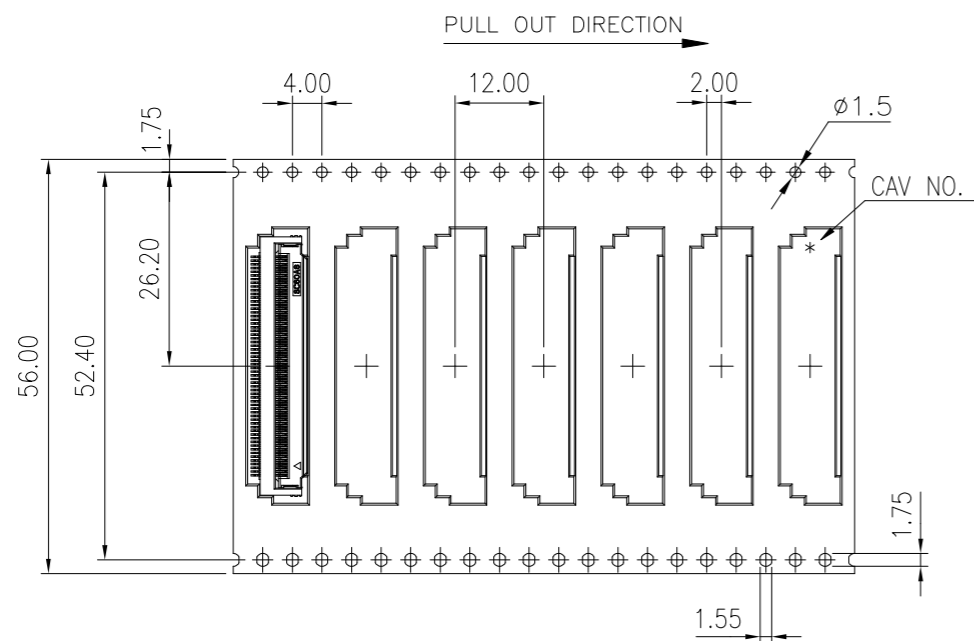
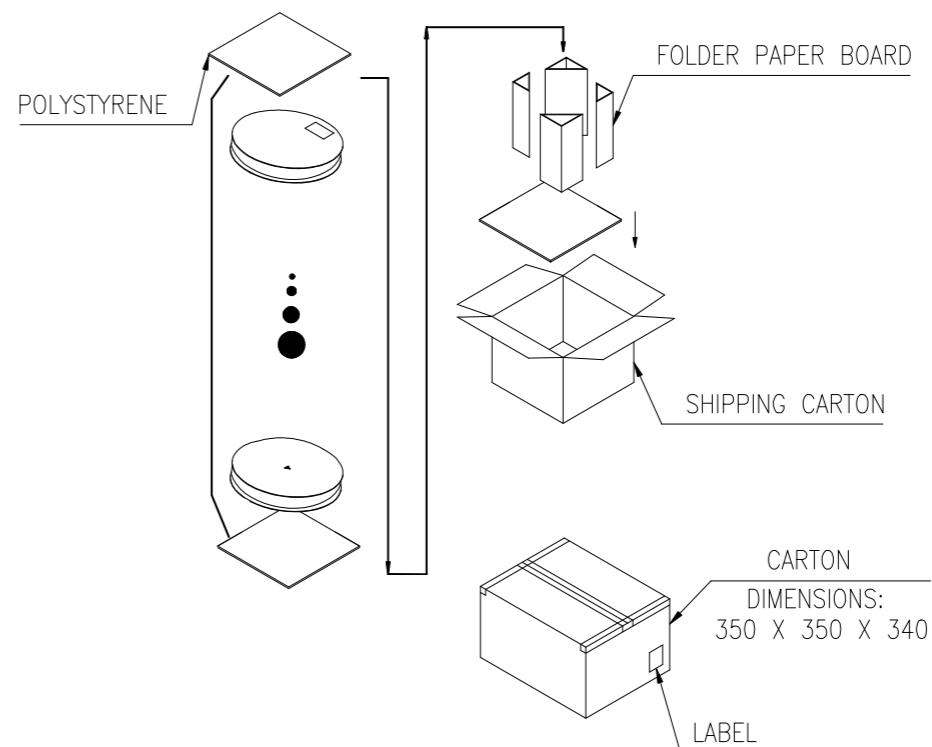
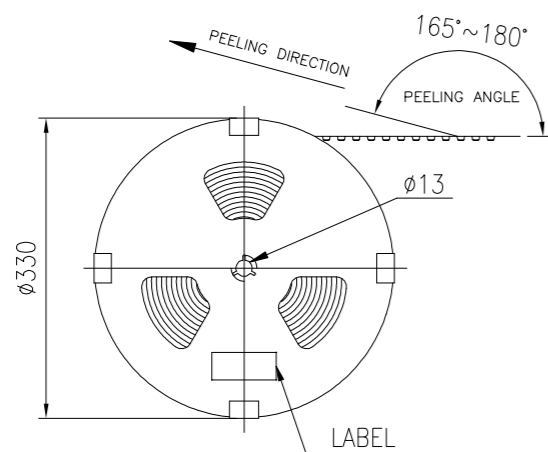
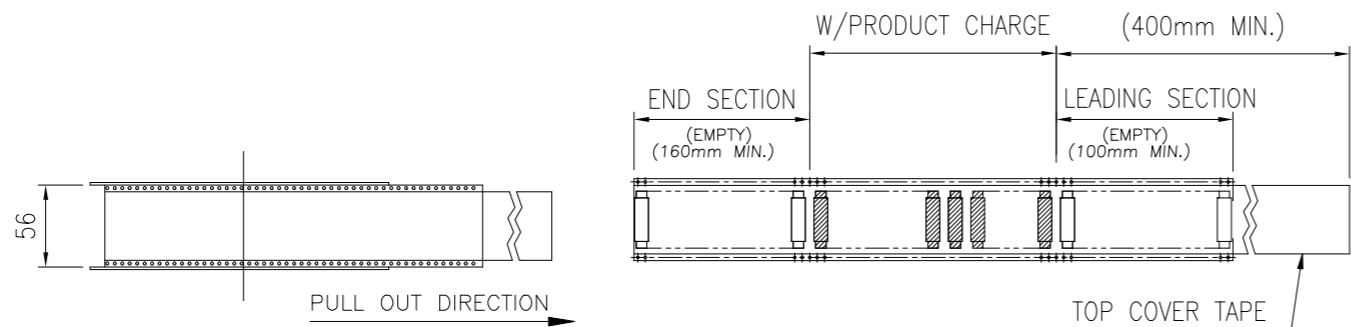
RELEASED FOR PUBLICATION

REVISIONS


© COPYRIGHT - TE Connectivity Ltd.

ALL RIGHTS RESERVED.

P	LTR	DESCRIPTION	DATE	DWN	APVD
-	-	SEE SHEET 1	-	-	-



10800	6	1800	4-2041215-0
9000	5	1800	2041215-1
QUANTITY(PCS)	REEL/CARTON	PCS/REEL	PN

THIS DRAWING IS A CONTROLLED DOCUMENT.		DWN J. LAI 17SEP2009	 TE Connectivity													
DIMENSIONS: mm		CHK S. CHIEN 17SET2009														
TOLERANCES UNLESS OTHERWISE SPECIFIED:		APVD W. KODAMA	NAME ZIF FPC 0.50mm PITCH CONNECTOR, 2.5mm HIGH, LOCK TYPE													
<table border="0"> <tr><td>0 PLC</td><td>± -</td></tr> <tr><td>1 PLC</td><td>± 0.30</td></tr> <tr><td>2 PLC</td><td>± 0.20</td></tr> <tr><td>3 PLC</td><td>± 0.15</td></tr> <tr><td>4 PLC</td><td>± -</td></tr> <tr><td>ANGLES</td><td>± -</td></tr> </table>		0 PLC	± -	1 PLC	± 0.30	2 PLC	± 0.20	3 PLC	± 0.15	4 PLC	± -	ANGLES	± -	PRODUCT SPEC 108-57789	RESTRICTED TO	
0 PLC	± -															
1 PLC	± 0.30															
2 PLC	± 0.20															
3 PLC	± 0.15															
4 PLC	± -															
ANGLES	± -															
MATERIAL SEE NOTE		FINISH SEE NOTE	APPLICATION SPEC -	SIZE A3												
		WEIGHT -	CAGE CODE 00779	DRAWING NO C=2041215												
CUSTOMER DRAWING			SCALE 1:1	SHEET 2 OF 2												
			REV C													