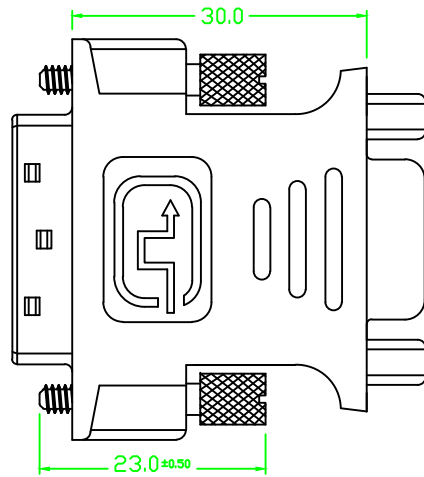
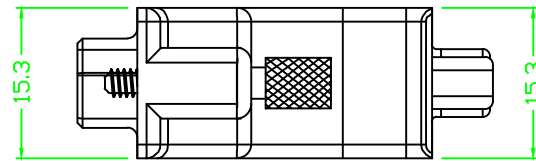
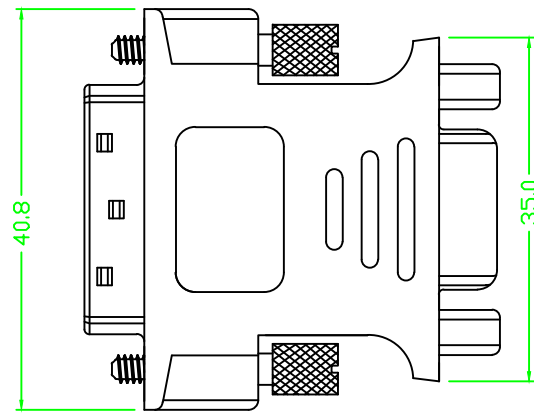
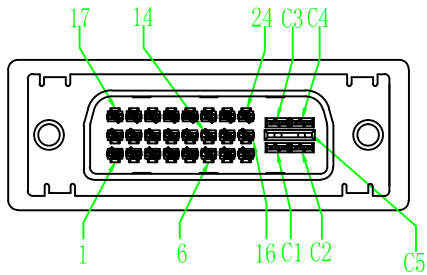
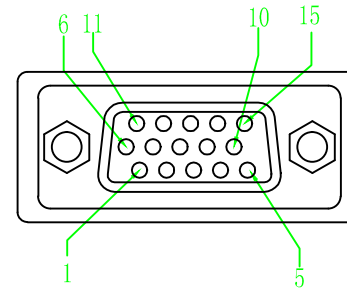


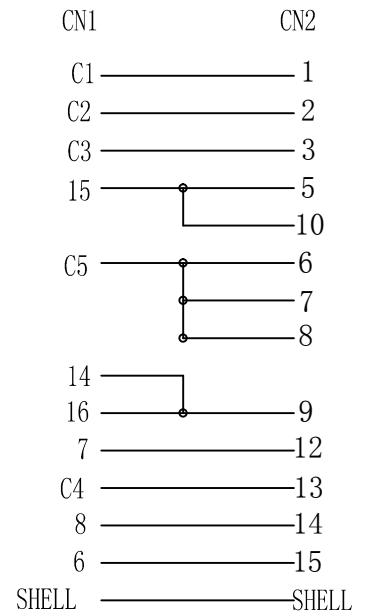
CN1



CN2



Soldered Drawing:



Notes:
 Contact resistance $\leq 10 \Omega$,
 Insulation resistance $\geq 3M\Omega$.
 Withstand Voltage: DC 300V/10mS.

TOLERANCE		SIGNATURES		DATE	
0 - 10	± 0.05	DRAFT: CHECKED: APPROVAL:		2019-9-25	
10 - 99	± 0.5				
100 - 999	± 10.0				
1000 - 9999	± 100.00				
10000 - 99999	± 1000.00				
		SHEET		SCALE	UNIT
OF		1:1		mm	REV

PRO-SIGNAL	
TITLE	DDVI (24+5) Male To VGA HDDB15P Female, Gold
CUSTOMER	

REV	PART NO. & SAMPLE NO.	BY
A1	CS32883	
A2		
A3		