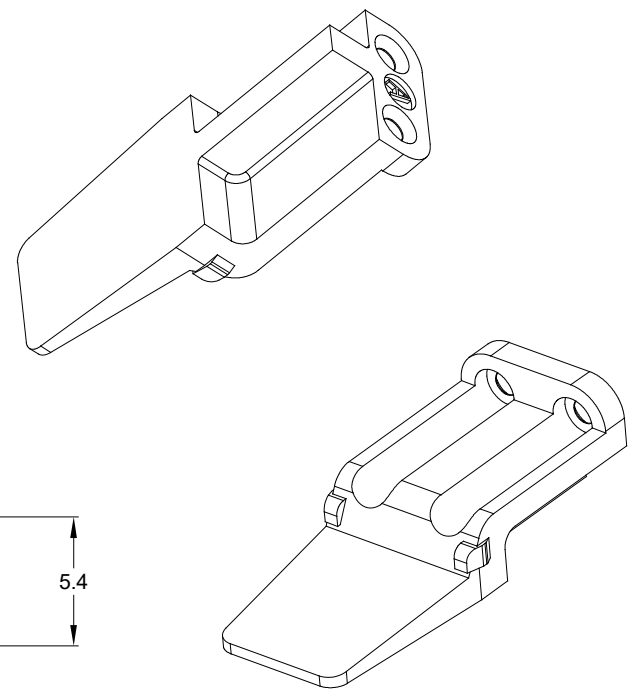
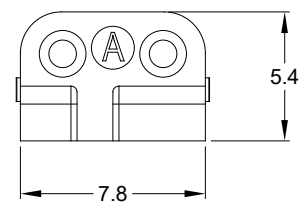
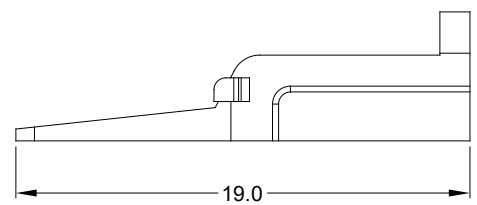
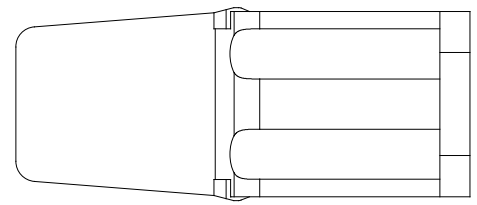


REVISIONS					
REV	ECO	DESCRIPTION	DATE	BY	APPR
A1	-	RELEASE	26/JUL/16	JONY	TOMMY



NOTES: UNLESS OTHERWISE SPECIFIED

1. MATERIAL: THERMOPLASTIC; COLOR: GRAY
2. RoHS COMPLIANT
3. CAVITIES: 2
4. KEYED: A KEYED
5. USE WITH CONNECTORS ATM06-2S\*  
(\* = MODIFICATIONS AND COLORS)
6. ALL DIMENSIONS ARE FOR REFERENCE USE ONLY.

AWM-2SA		REF: WM-2SA	
PART NUMBER		DESCRIPTION	
QUANTITY	MATERIALS LIST		
<p><b>UNLESS OTHERWISE SPECIFIED</b></p> <p>1) All dimensions are in metric(mm).                  2) Tolerances are as follows:                  1 PL DEC ±0.30    Fractions ±1/64                  2 PL DEC ±0.15    Angles ±1°                  3 PL DEC ±0.08</p> <p>3) Note reference = </p>	SIGNATURES		DATE
	DRAWN: JONY		26/JUL/16
	CHECKED: Orion		26/JUL/16
	ENGINEER:		
APPROVAL: Tommy		26/JUL/16	
MATERIAL SPECIFICATIONS:		CUSTOMER:	
PROCESS SPECIFICATIONS:		THIS DRAWING IS SUPPLIED FOR INFORMATION ONLY. DESIGN FEATURES, SPECIFICATIONS AND PERFORMANCE DATA SHOWN HEREON ARE THE PROPERTY OF THE AMPHENOL CORPORATION. NO RIGHTS OF REPRODUCTION ARE IMPLIED. ALL DIMENSIONS ARE SUBJECT TO NORMAL MANUFACTURING VARIATIONS.	
NEXT ASSY:			
		<p style="text-align: center;"><b>Amphenol</b></p> <p style="text-align: center;">Sine Systems - www.amphenol-sine.com                  44724 Morley Drive                  Clinton Township, MI 48036</p>	
		S-WEDGELOCK, 2 POS, A KEYED, ATM SERIES	
SIZE	TYPE	DWG NO:	REVISION
B	C-	AWM-2SA	A1
SCALE: NONE		SHEET 1 OF 1	