

MATERIALS AND FINISHES

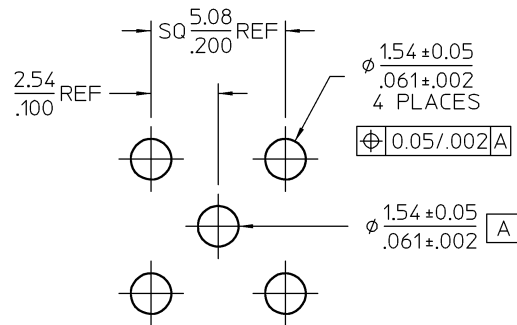
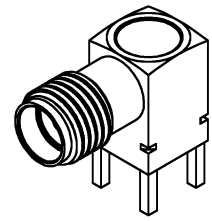
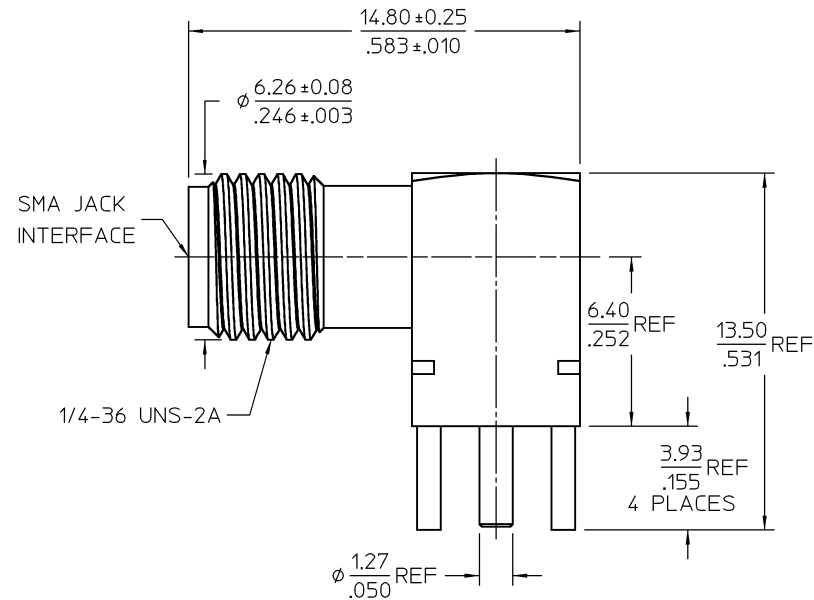
BODY BRASS
PLATED GOLD

CENTER CONTACT BERYLLIUM COPPER
PLATED GOLD

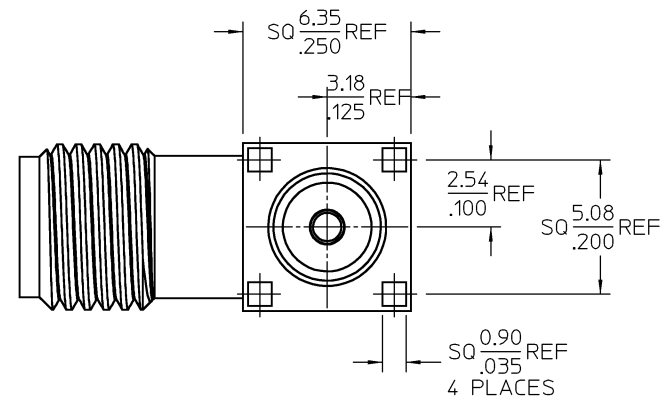
PCB CONTACT BRASS
PLATED GOLD

INSULATOR TEFLON

EXCEPTION TO PRODUCT SPECIFICATION
73598-0111: FREQUENCY RANGE: DC TO 12GHZ



RECOMMENDED MOUNTING HOLE



73251-3130	73100-0114, ONE PER BAG
73100-0114	TRAY
PART NO.	PACKAGING

PS-73598-0111	ELEC/MECH PERFORMANCE
SPECIFICATION	DESCRIPTION

CHG: ADD PACKING SHEET PER RF15-E247	EC NO: URF2015-0738	DRW:YR:YEH	CHKD: 2015/06/26	APPR:YCHENG	2015/07/01
REV: C4	DESCRIPTION	QUALITY SYMBOLS			

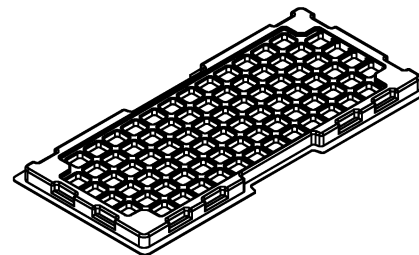
GENERAL TOLERANCES (UNLESS SPECIFIED)	mm	INCH
4 PLACES ±	---	± ---
3 PLACES ±	---	± ---
2 PLACES ±	---	± ---
1 PLACE ±	---	± ---
0 PLACE ±	---	±
ANGULAR ± 2 °		
DRAFT WHERE APPLICABLE MUST REMAIN WITHIN DIMENSIONS		

DIMENSION STYLE	MM/IN
DRAWN BY	DATE
THOMPSON TSN	1993/10/15
CHECKED BY	DATE
VL ID WANG	1995/09/23
APPROVED BY	DATE
MHUANG	2010/02/22
MATERIAL NO.	SEE TABLE
SIZE	C

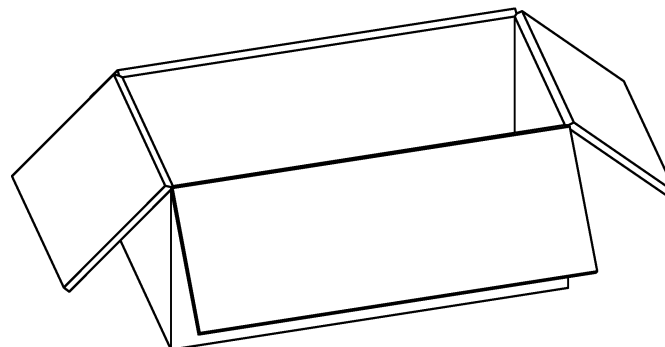
SCALE	7:1	DESIGN UNITS	METRIC	THIRD ANGLE PROJECTION
TITLE				
SMA JACK,R/A PCB,50 OHMS SMA-J/PCB				
molex				SHEET NO.
DOCUMENT NO.				1 OF 2
SD-73100-0114				
THIS DRAWING CONTAINS INFORMATION THAT IS PROPRIETARY TO MOLEX INCORPORATED AND SHOULD NOT BE USED WITHOUT WRITTEN PERMISSION				



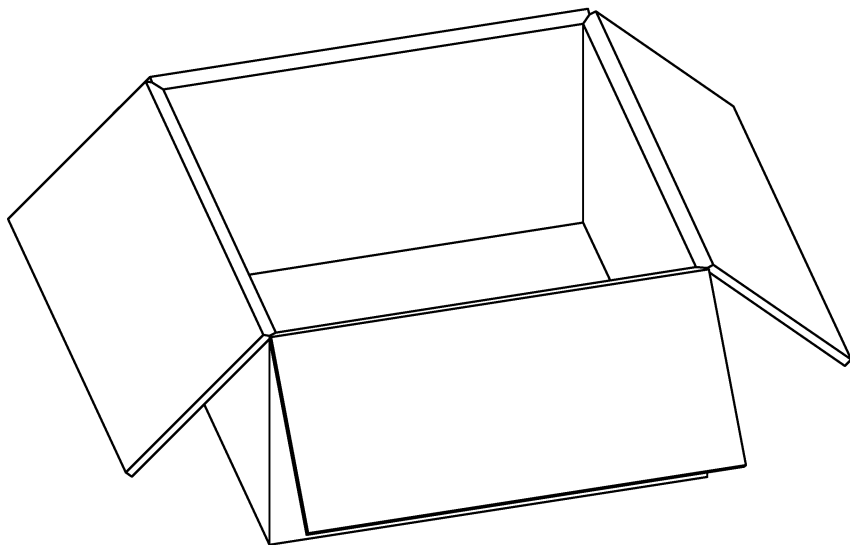
P/N: 73100-0114



80 SETS PER TRAY
P/N: 89707-0190



1760 SETS PER INNER
CARTON BOX
P/N: 96707-0001



3520 SETS PER OUTER
CARTON BOX
P/N: 96708-0005

CHG:SEE SHEET 1
 EC NO: URF2015-0738
 DRAWN:YEH 2015/06/26
 CHKD:
 APPR:YCHENG 2015/07/01

REV	DESCRIPTION
C4	

QUALITY SYMBOLS
= 0
= 0
= 0

GENERAL TOLERANCES (UNLESS SPECIFIED)

	mm	INCH
4 PLACES	± .005	± .0002
3 PLACES	± .005	± .0002
2 PLACES	± .005	± .0002
1 PLACE	± .005	± .0002
0 PLACE	± .005	± .0002

ANGULAR ± 2 °

DRAFT WHERE APPLICABLE MUST REMAIN WITHIN DIMENSIONS

DIMENSION STYLE	
MM/IN	
DRAWN BY	DATE
THOMPSON TSN	1993/10/15
CHECKED BY	DATE
VL ID WANG	1995/09/23
APPROVED BY	DATE
MHUANG	2010/02/22

SEE TABLE

SCALE	DESIGN UNITS	THIRD ANGLE PROJECTION
1:1	METRIC	
TITLE		
SMA JACK,R/A PCB,50 OHMS SMA-J/PCB		
MATERIAL NO.		SHEET NO.
SD-73100-0114		2 OF 2
THIS DRAWING CONTAINS INFORMATION THAT IS PROPRIETARY TO MOLEX INCORPORATED AND SHOULD NOT BE USED WITHOUT WRITTEN PERMISSION		