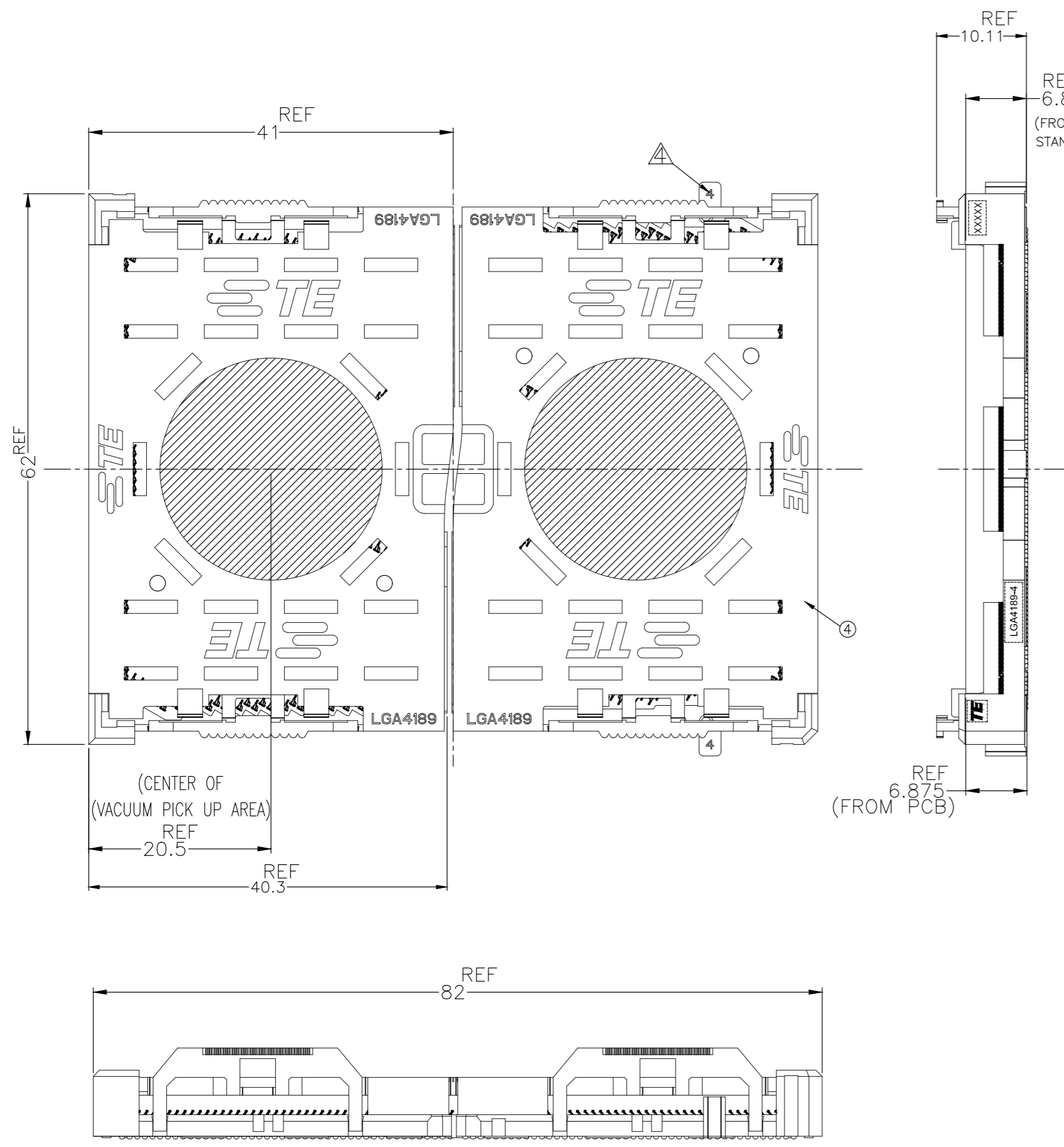


THIS DRAWING IS UNPUBLISHED. RELEASED FOR PUBLICATION
 © COPYRIGHT - Tyco Electronics JAPAN G.K. ALL RIGHTS RESERVED.

LOC	DIST	REVISIONS					
		P	LTR	DESCRIPTION	DATE	DWN	APVD
ES	-	8		ADD GATE LOCATION	23Jun2019	B.L	S.L

1. MATERIAL
- ① HOUSING : HIGH TEMP, THERMO-PLASTIC, UL94V-0, BLACK
 - ② CONTACT : COPPER ALLOY
FINISH : Au PL. SHOW AS Δ AT CONTACT AREA
ON OVERALL OVER Ni UNDER PL. 0.00127 MIN.
 - ③ SOLDER BALL : Sn/Ag/Cu
 - ④ CAP : HIGH TEMP. THERMO-PLASTIC, UL94V-0, NATURAL
- Δ INDICATED DATE CODE , TYCO LOGO, PRODUCT NAME ON THE HSG
 Δ FOR NORMAL ORDER, LEFT AND RIGHT SEGMENT SHOULD ORDER AT SAME TIME
 Δ THE NUMBER INDICATED SOCKET NAME, "4" FOR SOCKET P4, "5" FOR SOCKET P5.
 Δ THE PAD SIZE IS FOR REFERENCE, CUSTOMER CAN FOLLOW INTEL INSTRUCTION TO DESIGN
 Δ THESE DIMENSIONS FOR BACK PLATE SCREW HOLE.



THIS PRINT IS
PRELIMINARY
 UNQUALIFIED PRODUCT
 CONTACT PRODUCT ENGINEERING
 BEFORE USING THIS PRINT

FOR DGO.7

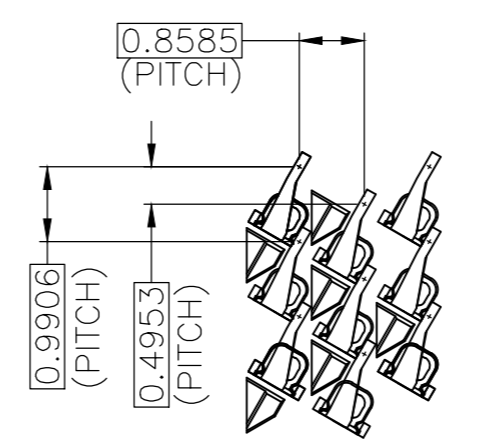
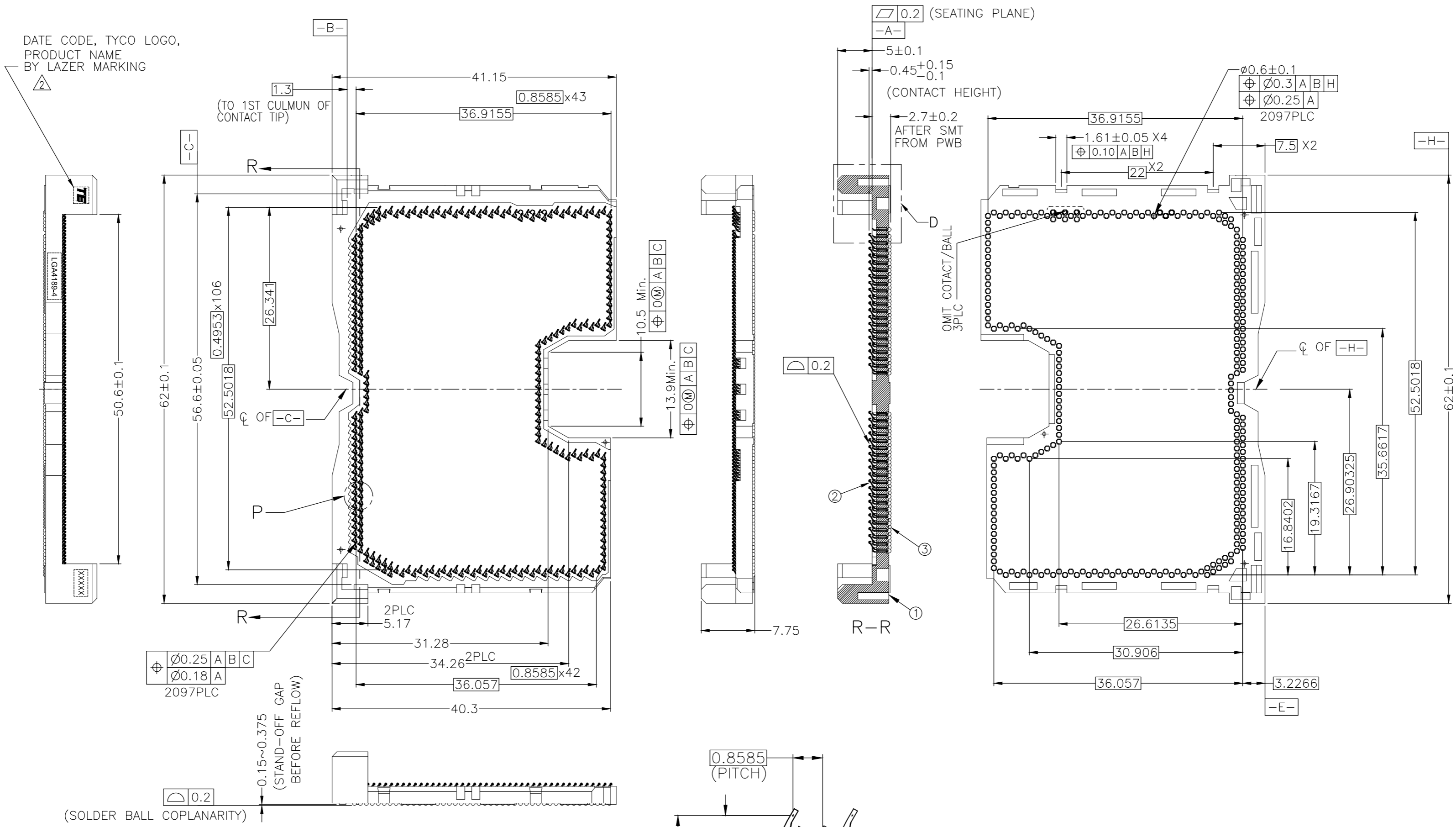
	30u" AU PLATING		15u" AU PLATING		DESCRIPTION
	LGA4189-4 SOCKET P4	LGA4189-5 SOCKET P5	LGA4189-4 SOCKET P4	LGA4189-5 SOCKET P5	
LGA4189-4 RIGHT SEGMENT	LGA4189-4 LEFT SEGMENT	LGA4189-5 RIGHT SEGMENT	LGA4189-5 LEFT SEGMENT		
2323614-1	1-2323614-1	2323614-3	1-2323614-1	2323614-2	1-2324271-1
					1-2324271-2
					1-2324271-5
					1-2324271-6
					1-2324271-3
					1-2324271-4
					1-2324271-7
					1-2324271-8
PRODUCT WEIGHT (g/SOCKET)	QUANTITY PER UNIT				PACKAGE P/N

AFTER SMT CONDITION (WITH CAP)
 DEMONSTRATION BY SOCKET P4, LGA4189-4

THIS DRAWING IS A CONTROLLED DOCUMENT.		DWN	23Jun2019	STE TE Connectivity	
DIMENSIONS: mm		BILL LV	23Jun2019		
TOLERANCES UNLESS OTHERWISE SPECIFIED:		CHK	23Jun2019	SOCKET ASSY LGA4189-X	
0-PLC ±		BILL LV	23Jun2019		
1-PLC ± ±0.3		APVD	23Jun2019	RESTRICTED TO	
2-PLC ± ±3		NAME	SIMON LI		
3-PLC ±		PRODUCT SPEC	108-115149	SIZE	A2
4-PLC ±		APPLICATION SPEC	114-115011	CAGE CODE	00779
ANGLES ±		WEIGHT	-	DRAWING NO	C=2324271
FINISH		CUSTOMER DRAWING		SCALE	NTS
				SHEET	1 of 7
				REV	8

THIS DRAWING IS UNPUBLISHED. RELEASED FOR PUBLICATION
 © COPYRIGHT - Tyco Electronics JAPAN G.K. ALL RIGHTS RESERVED.

LOC		DIST		REVISIONS			
P	LTR	DESCRIPTION	DATE	DWN	APVD		
-	-	SEE SHEET 1	-	-	-		

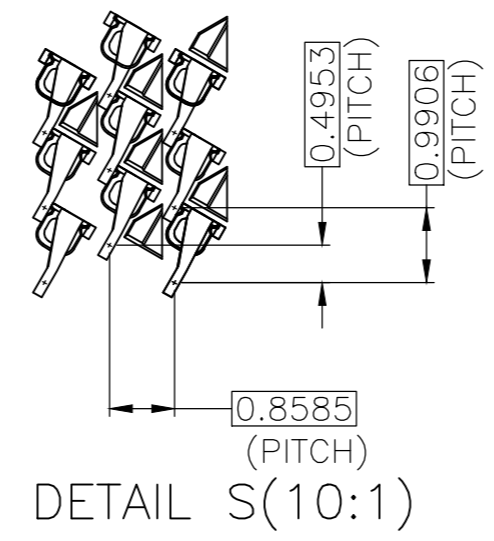
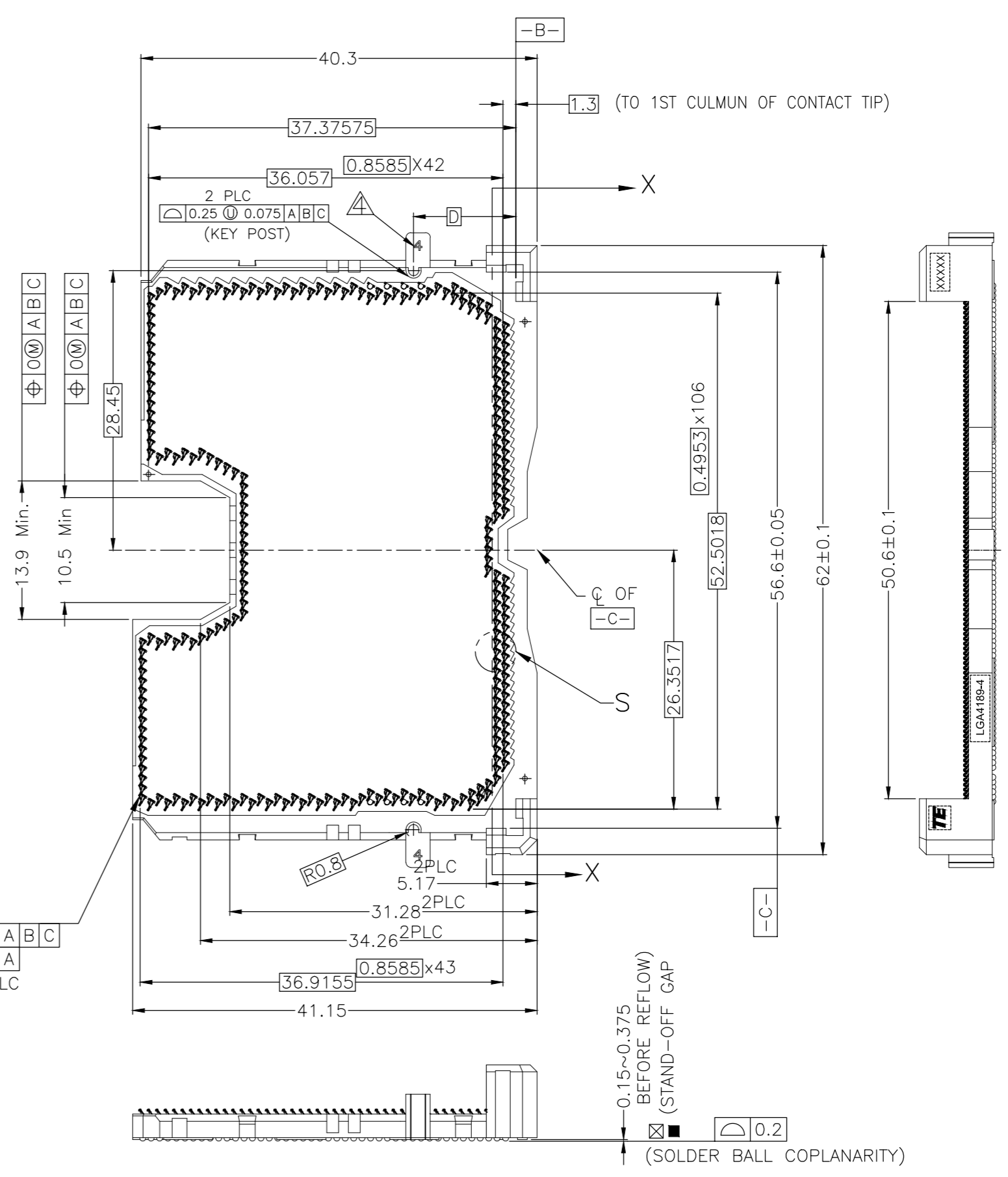
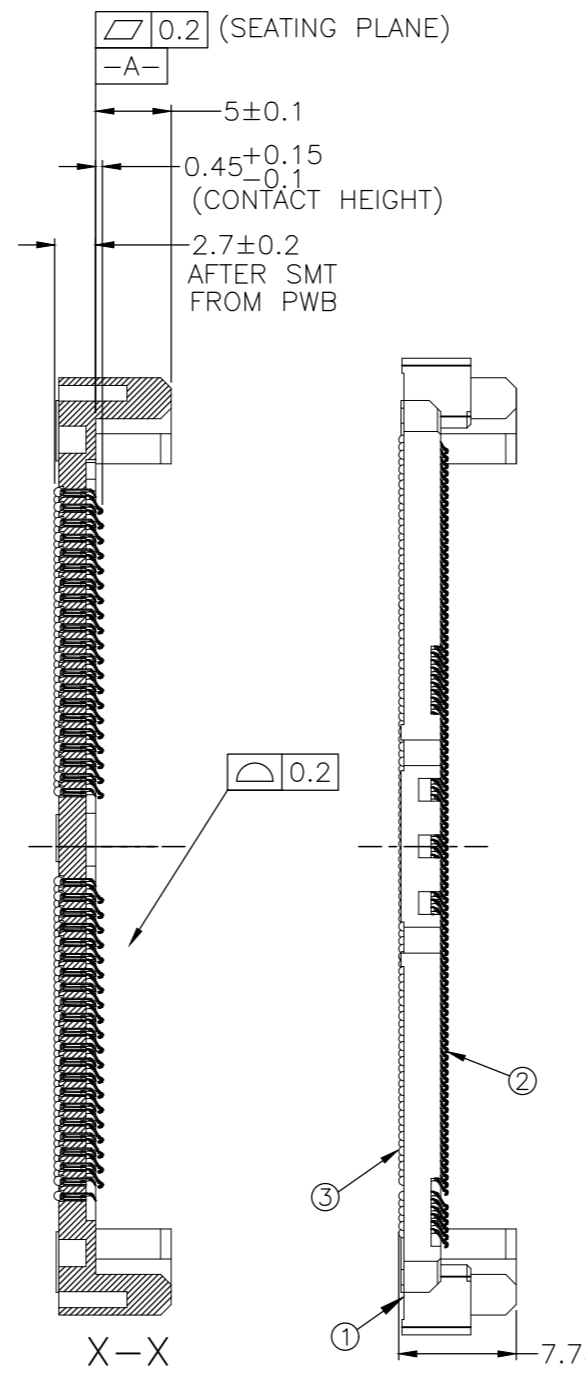
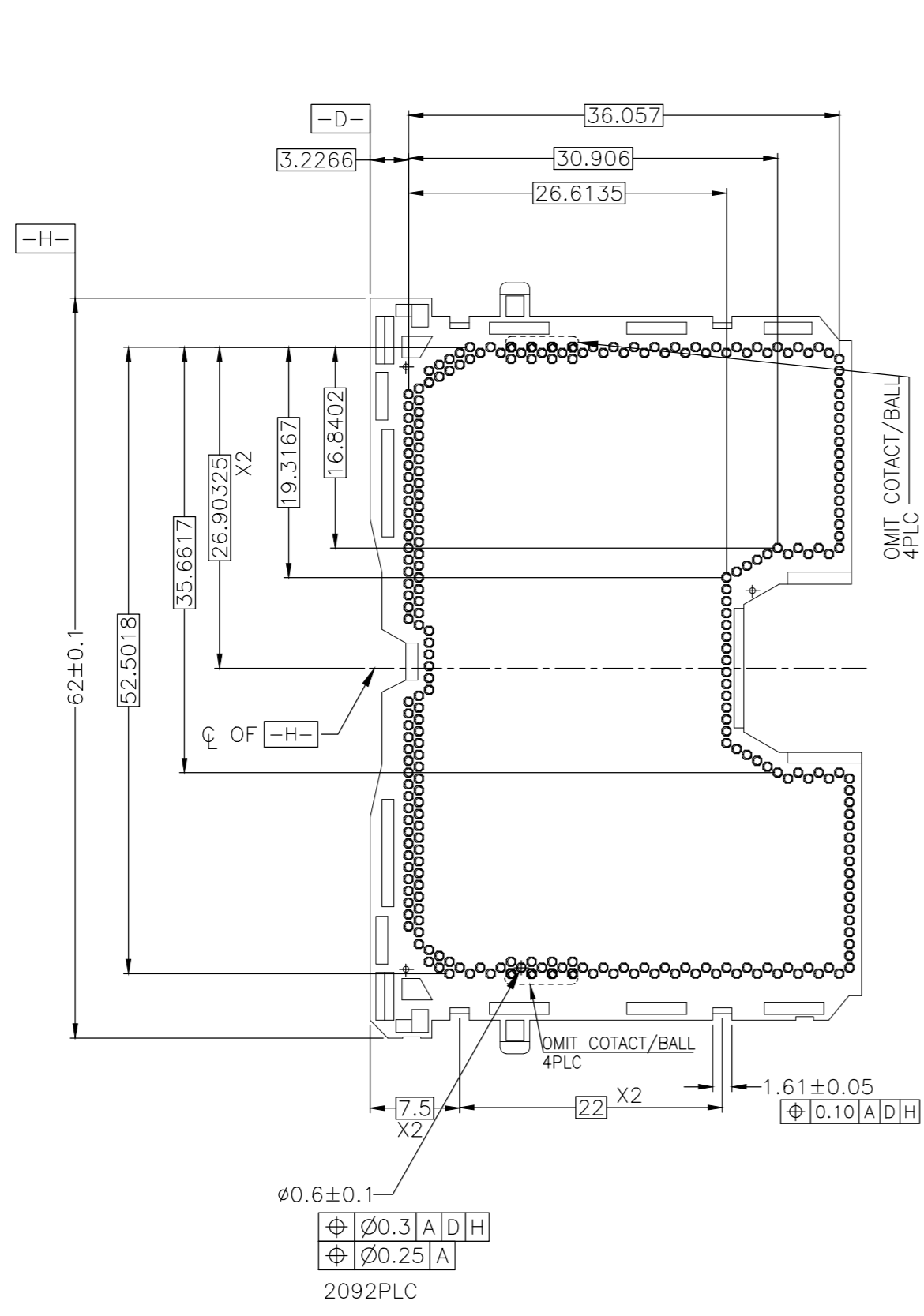


THESE VIEW DON'T SHOW CAP BEFORE SMT CONDITION
 LGA4189-4 LEFT SIDE ASSY
 1-2323614-* AS SHOWN

THIS DRAWING IS A CONTROLLED DOCUMENT.		DWN	-	TE Connectivity	
DIMENSIONS: mm		CHK	-		
TOLERANCES UNLESS OTHERWISE SPECIFIED:		APVD	-	NAME	
0-PLC ± 1-PLC ± 2-PLC ± 3-PLC ± 4-PLC ± ANGLES ± FINISH -		PRODUCT SPEC	-	SOCKET ASSY LGA4189-X	
MATERIAL		APPLICATION SPEC	-	SIZE	A2
		WEIGHT	-	CAGE CODE	00779
		CUSTOMER DRAWING	-	DRAWING NO	C=2324271
		SCALE	NTS	SHEET	2 OF 7
		REV	8	RESTRICTED TO	-

THIS DRAWING IS UNPUBLISHED. RELEASED FOR PUBLICATION
 © COPYRIGHT - Tyco Electronics JAPAN G.K. ALL RIGHTS RESERVED.

LOC		DIST		REVISIONS			
P	LTR	DESCRIPTION	DATE	DWN	APVD		
-	-	SEE SHEET 1	-	-	-		



THESE VIEW DON'T SHOW CAP BEFORE SMT CONDITION LGA4189-4 RIGHT SIDE ASSY 2323614-* AS SHOWN

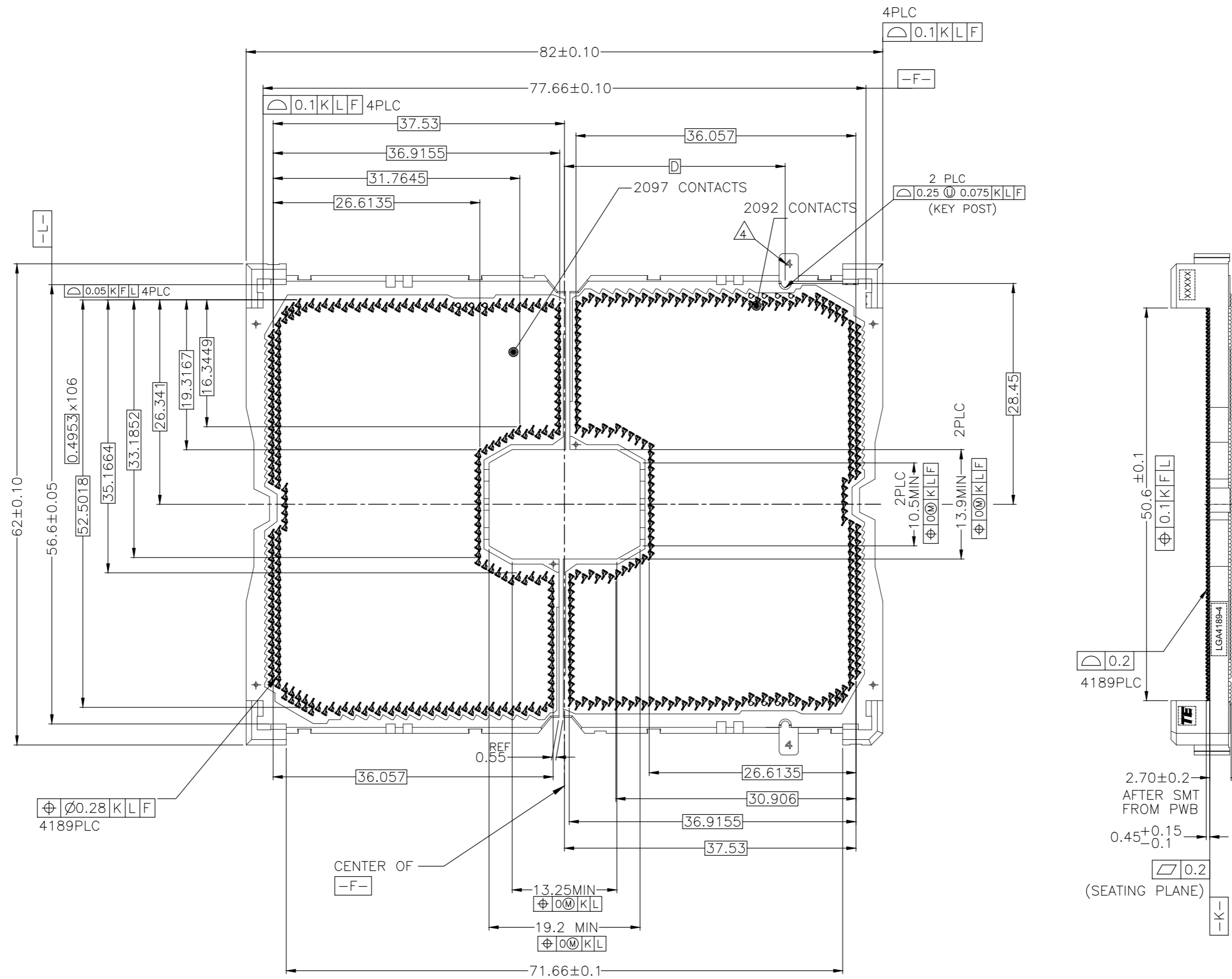
TABLE FOR P4/P5 KEY LOCATION

DESCRIPTION	DIM D
LGA4189 SOCKET P5(RIGHT SEGMENT)	13.415
LGA4189 SOCKET P4(RIGHT SEGMENT)	10.415

THIS DRAWING IS A CONTROLLED DOCUMENT.		DWN	TE Connectivity		
DIMENSIONS: mm		CHK	NAME		
TOLERANCES UNLESS OTHERWISE SPECIFIED:		APVD	SOCKET ASSY LGA4189-X		
0-PLC	±	PRODUCT SPEC	SIZE	CAGE CODE	DRAWING NO
1-PLC	±0.3	APPLICATION SPEC	A2	00779	C=2324271
2-PLC	±	WEIGHT	RESTRICTED TO		
3-PLC	±	CUSTOMER DRAWING	SCALE NTS SHEET 3 OF 7 REV 8		
4-PLC	±				
ANGLES	±				
FINISH	-				

THIS DRAWING IS UNPUBLISHED. RELEASED FOR PUBLICATION
 © COPYRIGHT - Tyco Electronics JAPAN G.K. ALL RIGHTS RESERVED.

LOC	DIST	REVISIONS					
		P	LTR	DESCRIPTION	DATE	DWN	APVD
ES	-	-	-	SEE SHEET 1	-	-	-



AFTER SMT CONDITION (WITHOUT CAP)

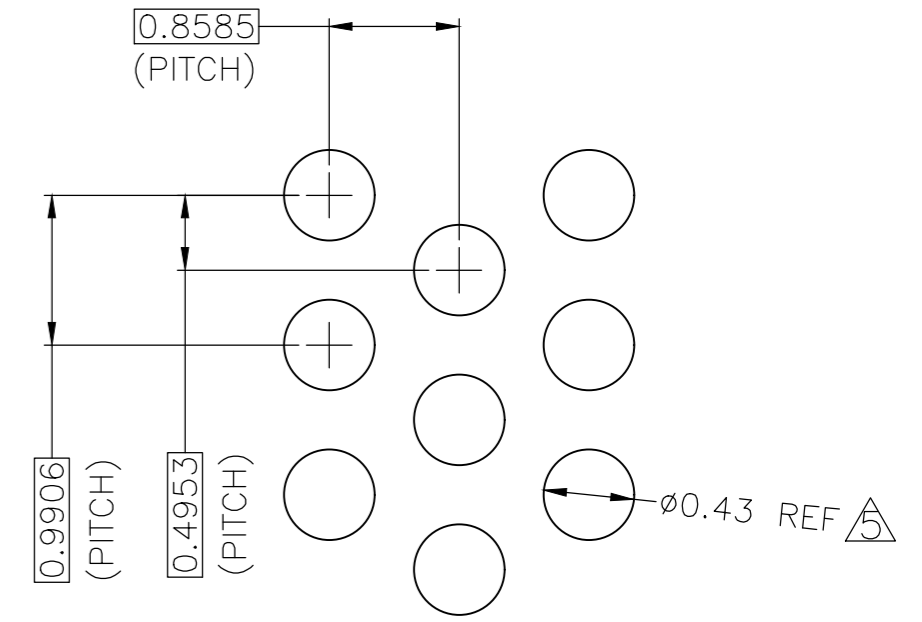
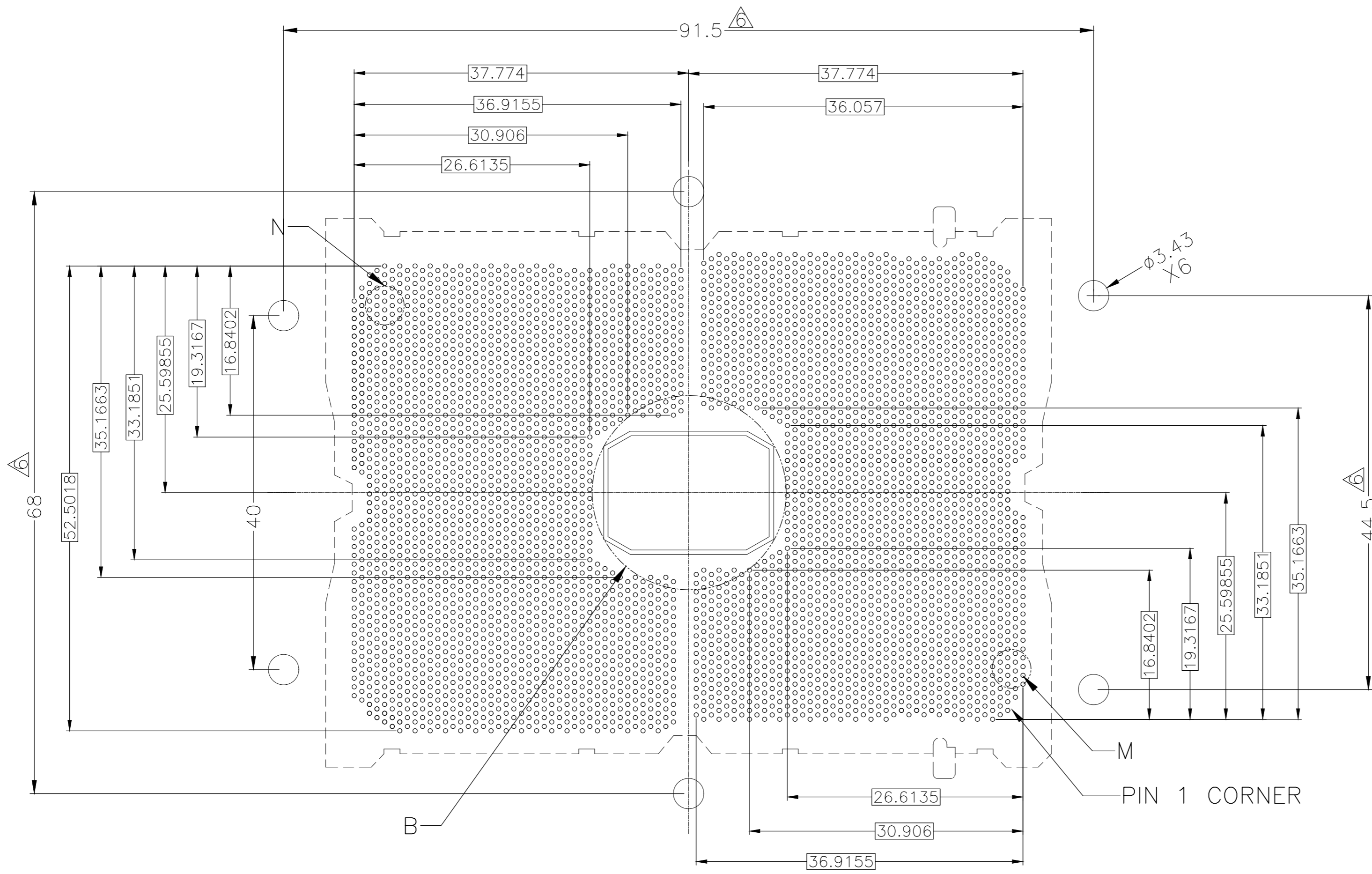
TABLE FOR P4/P5 KEY LOCATION

LGA4189 SOCKET P5(RIGHT SEGMENT)	25.415
LGA4189 SOCKET P4(RIGHT SEGMENT)	28.415
DESCRIPTION	DIM D

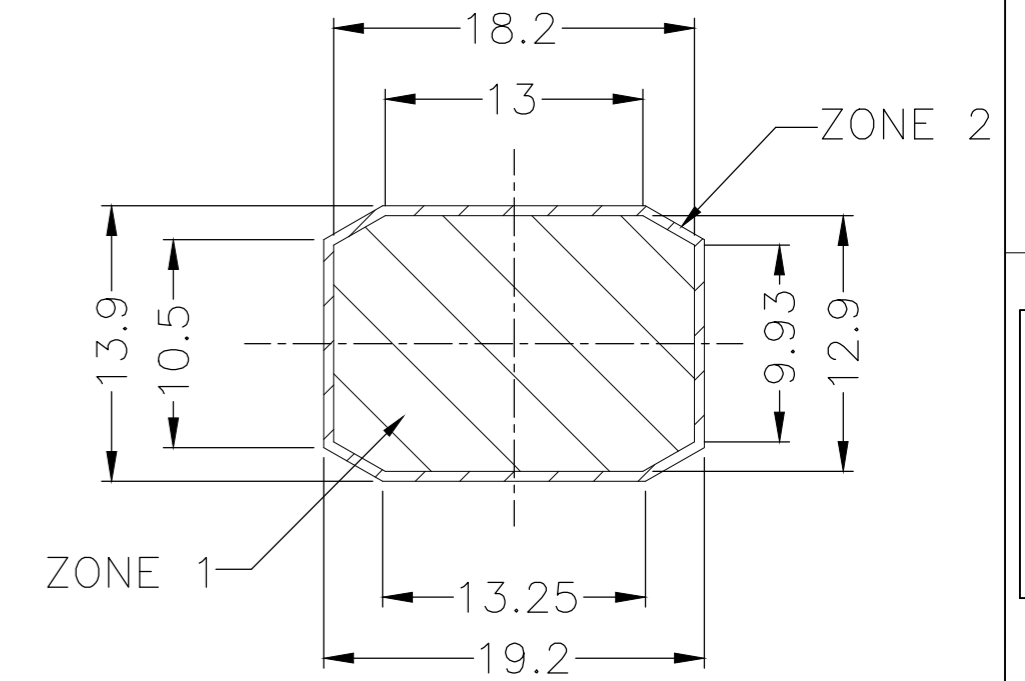
THIS DRAWING IS A CONTROLLED DOCUMENT.		DWN	TE Connectivity		
DIMENSIONS: mm		CHK	NAME		
TOLERANCES UNLESS OTHERWISE SPECIFIED:		APVD	SOCKET ASSY LGA2324271-X		
0-PLC ±		PRODUCT SPEC	SIZE	CAGE CODE	DRAWING NO
1-PLC ± ±0.3		APPLICATION SPEC	A2	00779	C=2324271
2-PLC ± ±0.3		WEIGHT	RESTRICTED TO		
3-PLC ± ±0.3		CUSTOMER DRAWING	SCALE NTS SHEET 4 OF 7 REV 8		
4-PLC ± ±					
ANGLES ±					
FINISH					

THIS DRAWING IS UNPUBLISHED. RELEASED FOR PUBLICATION
 © COPYRIGHT - Tyco Electronics JAPAN G.K. ALL RIGHTS RESERVED.

LOC	DIST	REVISIONS					
ES	-	P	LTR	DESCRIPTION	DATE	DWN	APVD
		-	-	SEE SHEET 1	-	-	-

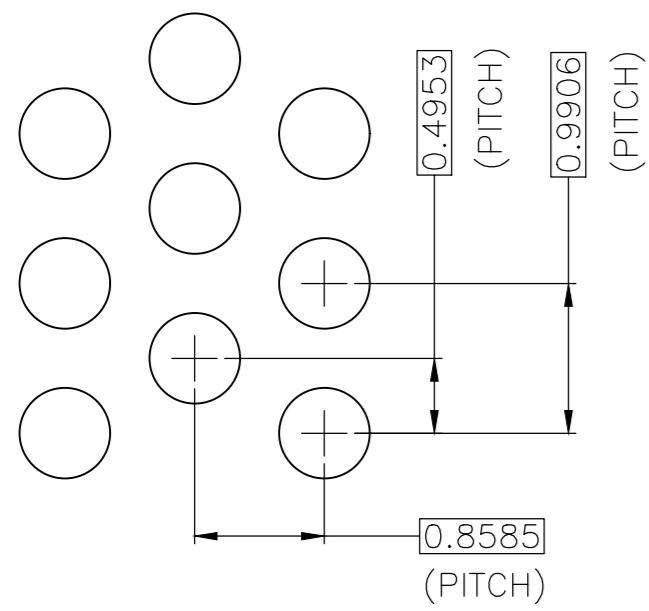


DETAIL M(20:1)



DETAIL B

PCB BALL LAYOUT REFERENCE



DETAIL N(20:1)

KOZ LEGEND FOR REFERENCE:

	ZONE 2: SOCKET CAVITY TO SOCKET ZONE. NO COMPONENT PLACEMENT ALLOWED 0.0mm HEIGHT RESTRICTION.
	ZONE 1: SOCKET CAVITY 1.222mm HEIGHT RESTRICTION.

THIS DRAWING IS A CONTROLLED DOCUMENT.		DWN	-		
DIMENSIONS: mm		CHK	-		
TOLERANCES UNLESS OTHERWISE SPECIFIED:		APVD	-		
0-PLC ±		NAME	-		
1-PLC ± ±0.3		PRODUCT SPEC	-		
2-PLC ± ±3.0		APPLICATION SPEC	-		
3-PLC ±		SIZE	CAGE CODE	DRAWING NO	RESTRICTED TO
4-PLC ±		WEIGHT	A2	00779	C=2324271
ANGLES ±		CUSTOMER DRAWING	SCALE	SHEET	REV
FINISH			NTS	5 of 7	8

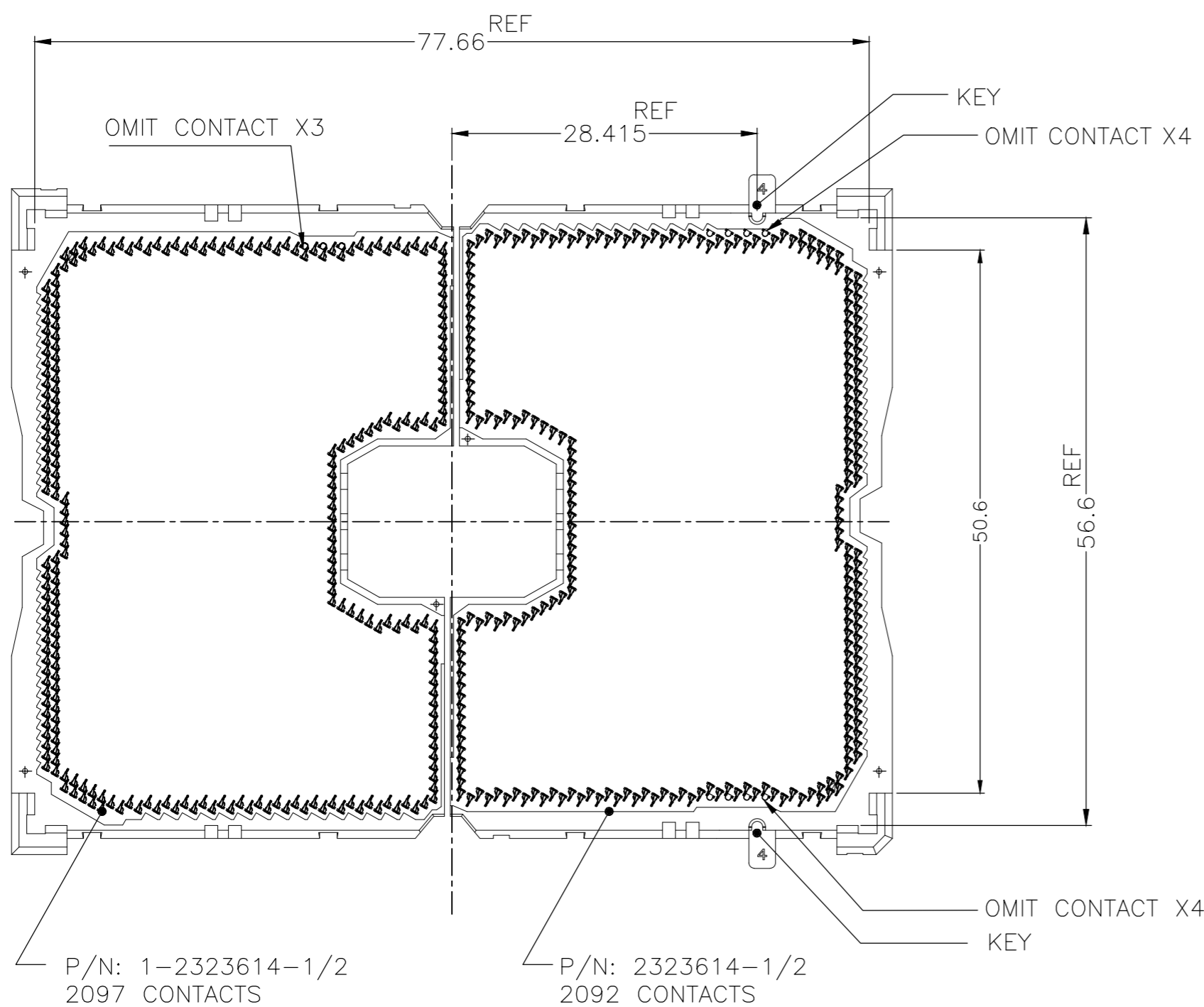
TE Connectivity

SOCKET ASSY
LGA4189-X

THIS DRAWING IS UNPUBLISHED. RELEASED FOR PUBLICATION
 © COPYRIGHT - Tyco Electronics JAPAN G.K. ALL RIGHTS RESERVED.

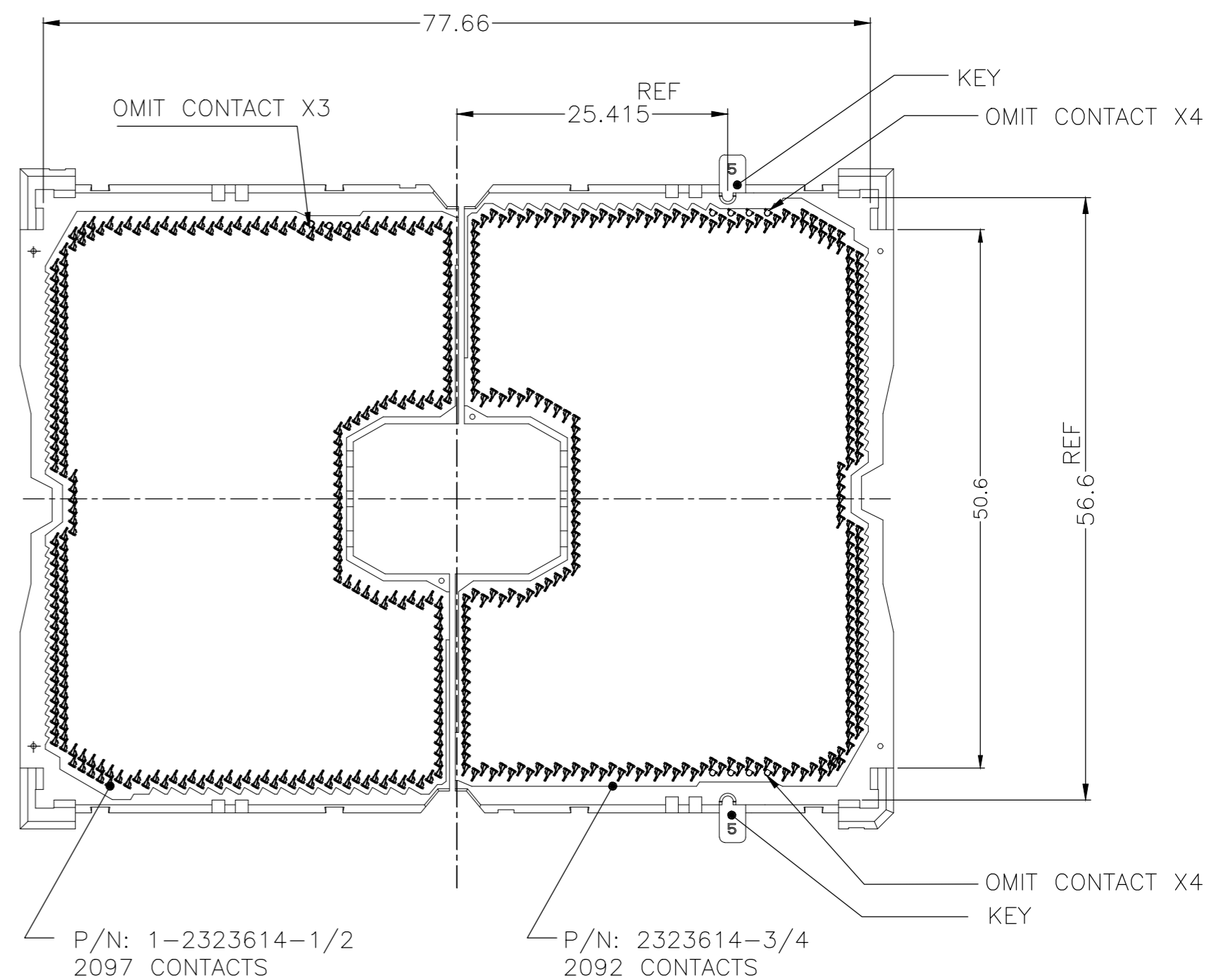
LOC	DIST	REVISIONS					
		P	LTR	DESCRIPTION	DATE	DWN	APVD
ES	-	-	-	SEE SHEET 1	-	-	-

SOCKET P4,LGA4189-4 AS SHOWN



LGA4189-4 AS SHOWN
 AFTER SMT CONDITION (WITHOUT CAP)

SOCKET P5,LGA4189-5 AS SHOWN



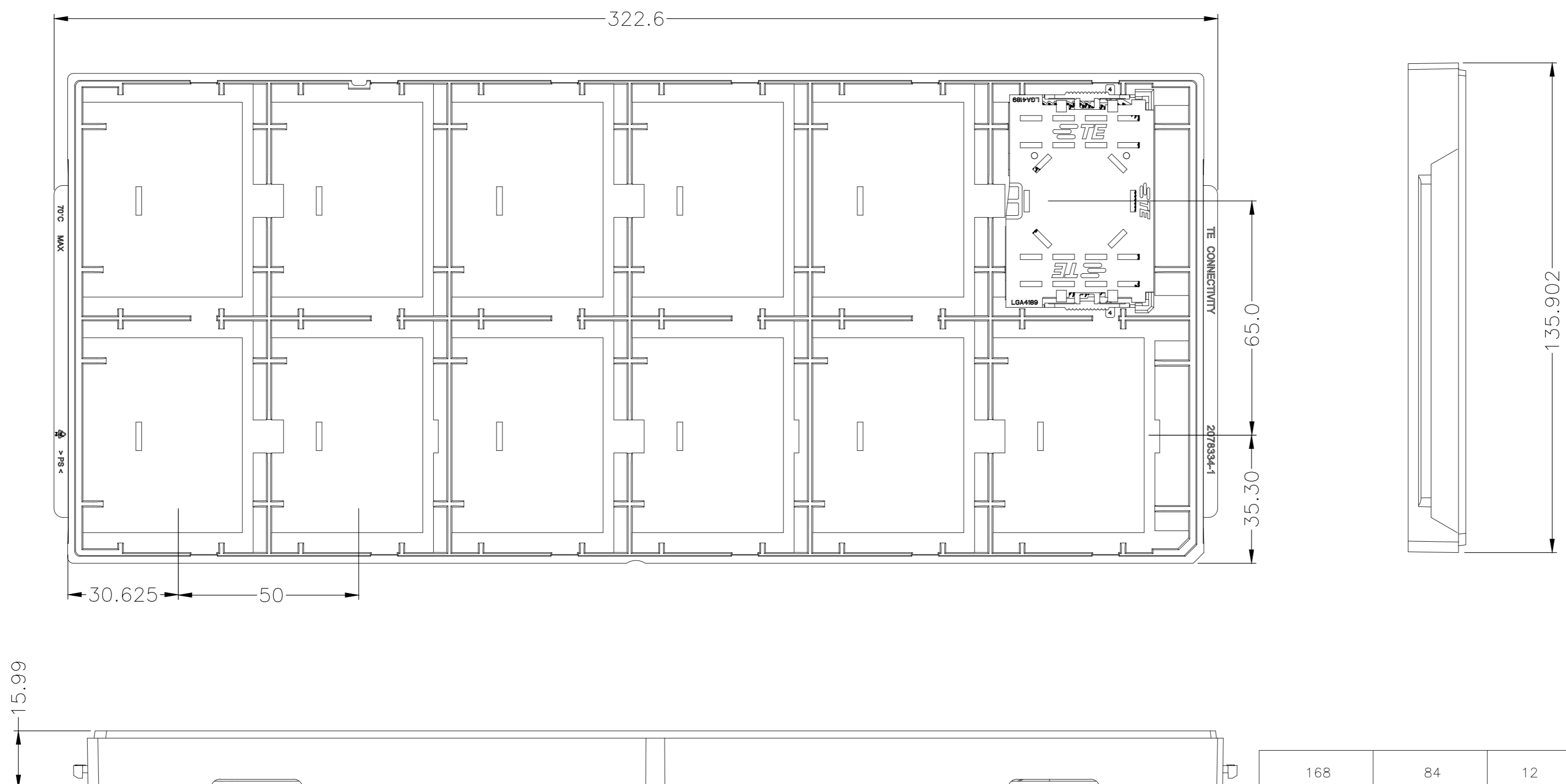
LGA4189-5 AS SHOWN
 AFTER SMT CONDITION (WITHOUT CAP)

LGA4189-X POST SMT CONDITION
 (PCB IS NOT SHOWN)

THIS DRAWING IS A CONTROLLED DOCUMENT.		DWN	TE Connectivity		
DIMENSIONS: mm		CHK	NAME		
TOLERANCES UNLESS OTHERWISE SPECIFIED:		APVD	SOCKET ASSY LGA4189-X		
0-PLC ±		PRODUCT SPEC	SIZE	CAGE CODE	DRAWING NO
1-PLC ± ±0.3		APPLICATION SPEC	A2	00779	C=2324271
2-PLC ± ±3		WEIGHT	RESTRICTED TO		
3-PLC ± ±3		CUSTOMER DRAWING	-		
4-PLC ± ±		SCALE	NTS	SHEET	6 OF 7
FINISH		REV	8		

THIS DRAWING IS UNPUBLISHED. RELEASED FOR PUBLICATION
 © COPYRIGHT - Tyco Electronics JAPAN G.K. ALL RIGHTS RESERVED.

LOC	DIST	REVISIONS					
ES	-	P	LTR	DESCRIPTION	DATE	DWN	APVD
		-	-	SEE SHEET 1	-	-	-



FOR LEFT SEGMENT,USE BLACK TRAY TO PACKAGE.
 FOR RIGHT SEGMENT,USE BLUE TRAY TO PACKAGE.

SOCKET P4/5 HARD TRAY

168	84	12	2323614-4	1-2324271-7	LGA4189-5 RIGHT SEGMENT	LGA4189-5 SOCKET P5
168	84	12	1-2323614-2	1-2324271-8	LGA4189-5 LFFT SEGMENT	
168	84	12	2323614-3	1-2324271-5	LGA4189-5 RIGHT SEGMENT	
168	84	12	1-2323614-1	1-2324271-6	LGA4189-5 LFFT SEGMENT	
168	84	12	2323614-2	1-2324271-3	LGA4189-4 RIGHT SEGMENT	LGA4189-4 SOCKET P4
168	84	12	1-2323614-2	1-2324271-4	LGA4189-4 LFFT SEGMENT	
168	84	12	2323614-1	1-2324271-1	LGA4189-4 RIGHT SEGMENT	
168	84	12	1-2323614-1	1-2324271-2	LGA4189-4 LFFT SEGMENT	
SOCKET QTY PER OUTER BOX	SOCKET QTY PER INNER BOX	SOCKET QTY PER TRAY	ASSY PART NUMBER	ORDER PART NUMBER	PRODUCT NAME	

THIS DRAWING IS A CONTROLLED DOCUMENT.

DWN	-		TE Connectivity			
CHK	-		NAME			
APVD	-		SOCKET ASSY LGA4189-X			
PRODUCT SPEC	-		SIZE	CAGE CODE	DRAWING NO	RESTRICTED TO
APPLICATION SPEC	-	A2	00779	C=2324271	-	
MATERIAL	-	WEIGHT	-	-	-	
FINISH	-	CUSTOMER DRAWING		SCALE	SHEET	REV
				NTS	7 of 7	8