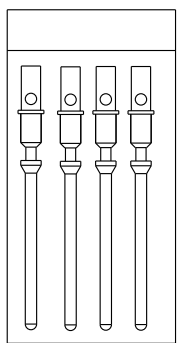
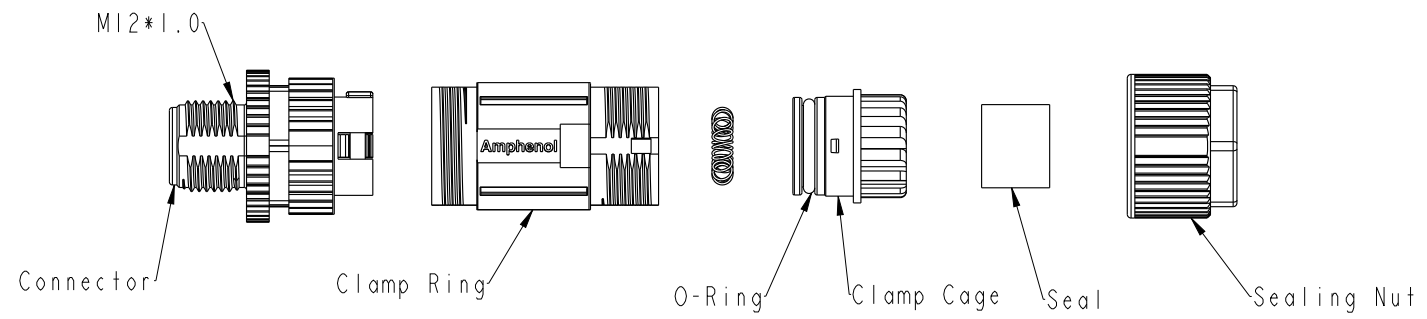
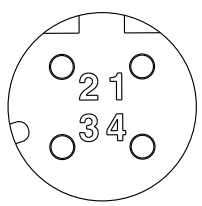


THIS DOCUMENT IS SUBJECT TO CHANGE WITHOUT NOTICE. IT IS CONFIDENTIAL AND A PROPERTY OF Amphenol LTW. DISCLOSURE TO THIRD PARTY HAS TO BE AUTHORIZED BY Amphenol LTW.

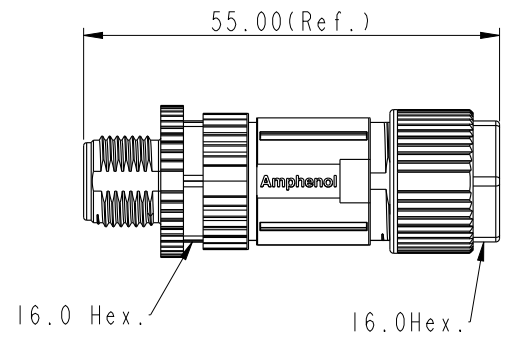
REV.	DESCRIPTION
A	Initial Release



PE Bag



Pin Assignments  
Front View



**ALTW**  
CONFIDENTIAL  
2019-06-18  
R&D DEPT.

UNIT:mm		
TOLERANCE	±0.25	
.X	±0.1	
.XX	±0.05	
.XXX	±1°	
ANGLES		

TITLE M12 Shielded Assy 4PIN M Conn. M Pin			
SCALE Free	SIZE A4	SHEET 1 OF 2	
REV. A	WC-REV. .0	QC: Inspection item	

**Amphenol LTW**  
安費諾亮泰企業股份有限公司

ITEM NO MSDS-04BMMC-SL7001	DRAWN BY Xiaofeng	DATE 2019/06/18
DWG NO MSDS-04BMMC-SL7001	CHECKED BY Li-Feng	DATE 2019/06/18
CUSTOMER ALTW	APPROVED BY Jerry	DATE 2019/06/18

THIS DOCUMENT IS SUBJECT TO CHANGE WITHOUT NOTICE. IT IS CONFIDENTIAL AND A PROPERTY OF Amphenol LTW. DISCLOSURE TO THIRD PARTY HAS TO BE AUTHORIZED BY Amphenol LTW.

REV.	ECN NO.	DATE	SIGN	DESCRIPTION

M SDS - XX B M M C - S L 7 001

SDS: D-Code Shielded  
 04: 4Pin  
 B: Without S/R(無網尾)  
 M: Male Connector(公座)  
 M: Male Pin(公Pin)  
 001: Without Cable  
 7: IP67(防水等級67)  
 L: Straight(180°)  
 S: Screw(螺紋式)  
 C: Screw in Type(組裝式)

Note:

- \* IP: IP67.
- \* Housing: Nylon, Black.
- \* Clamp Cage: Metal
- \* Male Pin: Copper Alloy, Gold Plated.
- \* O-Ring: Silicone, Grey.
- \* Clamp Ring: Zinc Alloy, Nickel Plated.
- \* Sealing Nut: Zinc Alloy, Nickel Plated.
- \* Seal For Cable OD:  $\varnothing 4.0\text{mm} \sim \varnothing 7.5\text{mm}$
- \* Applicable Wire gauge (Stranded wire cross section) 20AWG-24AWG
- \* Mating Recommended tightening torque: 3~4 kgf.cm / 0.29~0.39 N.m
- \* Sealing-Nut Recommended tightening torque: 4~6 kgf.cm / 0.39~0.59 N.m
- \* Detailed applicable wire specifications may vary depending on the actual wire construction.

UNIT: mm	
TOLERANCE	
.X	±0.25
.XX	±0.1
.XXX	±0.05
ANGLES	±1°

TITLE M12 Shielded Assy 4PIN M Conn. M Pin			
SCALE 1:1	SIZE A4	SHEET 2 OF 2	
REV. A	WC-REV. .0	QC: Inspection item	

**Amphenol LTW**  
安費諾亮泰企業股份有限公司

ITEM NO. MSDS-04BMCC-SL7001	DRAWN BY Xiaofeng	DATE 2019/06/18
DWG NO. MSDS-04BMCC-SL7001	CHECKED BY Feng-Li	DATE 2019/06/18
CUSTOMER ALTW	APPROVED BY Jerry	DATE 2019/06/18