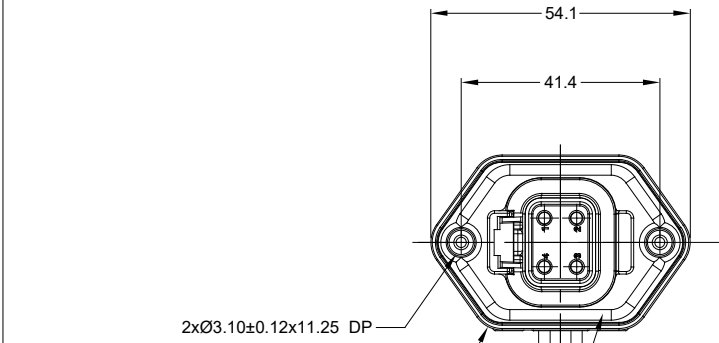
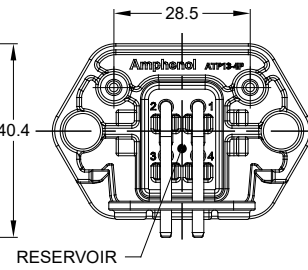
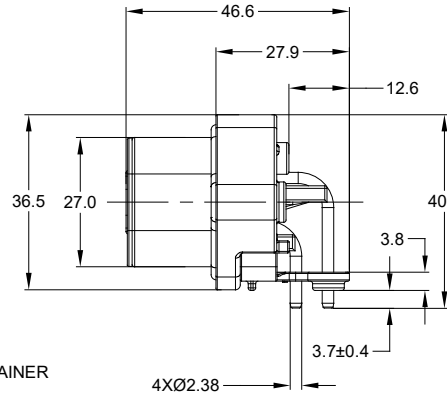


REVISIONS					
REV	ECO	DESCRIPTION	DATE	BY	APPR
A1	-	RELEASE	6JUN19	JAH	TOMMY

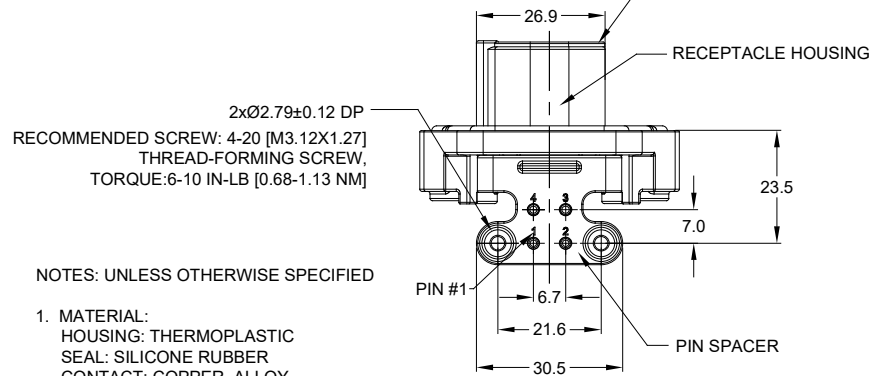
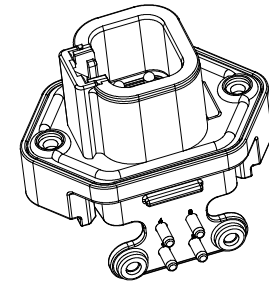


2xØ3.10±0.12x11.25 DP
 RECOMMENDED SCREW: 6-19 [M3.63 x 1.34]
 THREAD-FORMING SCREW,
 TORQUE: 11-15 IN-LB [1.24-1.70 NM]

FLANGE SEAL SEAL RETAINER



RESERVOIR

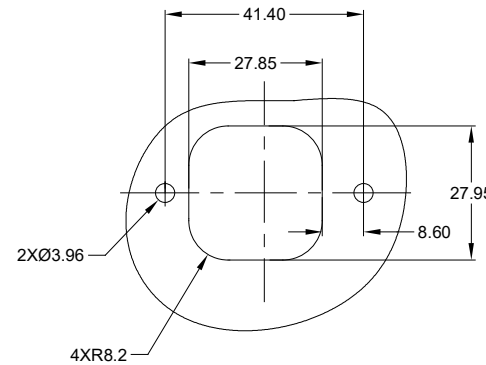


2xØ2.79±0.12 DP
 RECOMMENDED SCREW: 4-20 [M3.12X1.27]
 THREAD-FORMING SCREW,
 TORQUE: 6-10 IN-LB [0.68-1.13 NM]

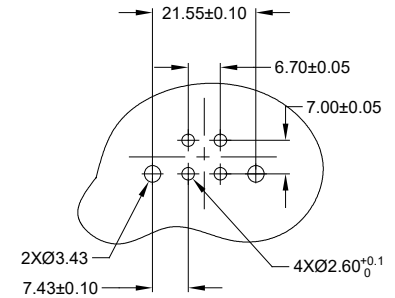
RECEPTACLE HOUSING

PIN #1

PIN SPACER



RECOMMENDED PANEL
 CUTOUT



RECOMMENDED PCB LAYOUT
 VIEW FROM COMPONENTS
 SIDE OF PCB

NOTES: UNLESS OTHERWISE SPECIFIED

- MATERIAL:
 HOUSING: THERMOPLASTIC
 SEAL: SILICONE RUBBER
 CONTACT: COPPER ALLOY
- MODIFICATIONS: FLANGE; PCB MOUNT RIGHT ANGLE
- SPECIFICATIONS:
 3.1 CURRENT RATING: 25 AMPS
 3.2 OPERATING TEMPERATURE: -55°C TO +125°C
 3.3 DIELECTRIC WITHSTANDING VOLTAGE: LESS THAN 2 MILLIAMPS CURRENT LEAKAGE @ 1500 VOLTS AC.
 3.4 INSULATION RESISTANCE: 1000 MEGOHMS MIN @ 25°C
 3.5 MOISTURE RESISTANCE: IP67 (MATED CONDITION)
 3.6 MATING CYCLE DURABILITY: 100 CYCLES
 3.7 RoHS COMPLIANT
- MATING PART: ATP06-4S*
 (* = ALL MODIFICATIONS)
- ALL DIMENSIONS ARE FOR REFERENCE USE ONLY

ATP13-4P-BM0XXXX VARIANTS			
CONTACT PLATING	POTTING OR NOT IN RESERVOIR	COLOR	PART NUMBER
GOLD	NO POTTING	GRAY	ATP13-4P-BM01GRY
GOLD	POTTING	GRAY	ATP13-4P-BM02GRY
TIN	NO POTTING	GRAY	ATP13-4P-BM03GRY
TIN	POTTING	GRAY	ATP13-4P-BM04GRY
GOLD	NO POTTING	BLACK	ATP13-4P-BM01BLK
GOLD	POTTING	BLACK	ATP13-4P-BM02BLK
TIN	NO POTTING	BLACK	ATP13-4P-BM03BLK
TIN	POTTING	BLACK	ATP13-4P-BM04BLK

ATP13-4P-BM0XXXX		REF: DTP13-4P	
PART NUMBER		DESCRIPTION	
QUANTITY	MATERIALS LIST		
UNLESS OTHERWISE SPECIFIED: 1) All dimensions are in metric (mm). 2) Tolerances are as follows: 1 PL DEC ±0.30 Fractions ±1/64 2 PL DEC ±0.15 Angles ±1° 3 PL DEC ±0.08 3) Note reference =		SIGNATURES	DATE
MATERIAL SPECIFICATIONS:		DRAWN: PETER YANG	14MAY19
PROCESS SPECIFICATIONS:		CHECKED: ORON LI	14MAY19
NEXT ASSY:		ENGINEER:	APPROVAL: TOMMY XIE
		CUSTOMER:	14MAY19
		THIS DRAWING IS SUPPLIED FOR INFORMATION ONLY. DESIGN FEATURES, SPECIFICATIONS AND PERFORMANCE DATA SHOWN HEREON ARE THE PROPERTY OF THE AMPHENOL CORPORATION. NO RIGHTS OF REPRODUCTION ARE IMPLIED. ALL DIMENSIONS ARE SUBJECT TO NORMAL MANUFACTURING VARIATIONS.	
SIZE	TYPE	DWG NO.	REVISION
B	C-	ATP13-4P-BM0XXXX	A1
SCALE	NONE		SHEET 1 OF 1

TITLE: BOARDLOCK PCB MOUNT RECEPTACLE 4 PIN, RA FLANGE, ATP SERIES DWG NO: ATP13-4P-BM0XXXX REV: A1 SH: 1 OF: 1