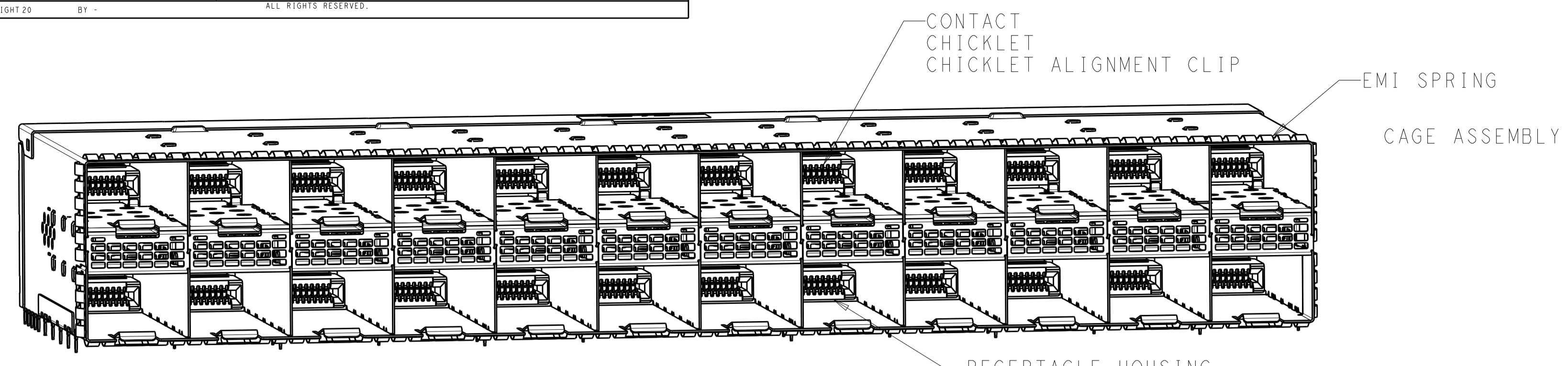
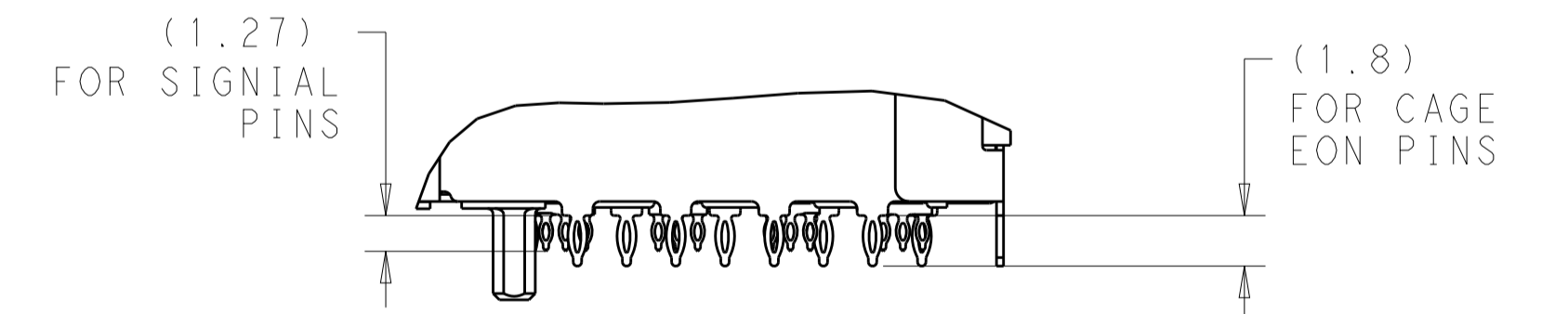
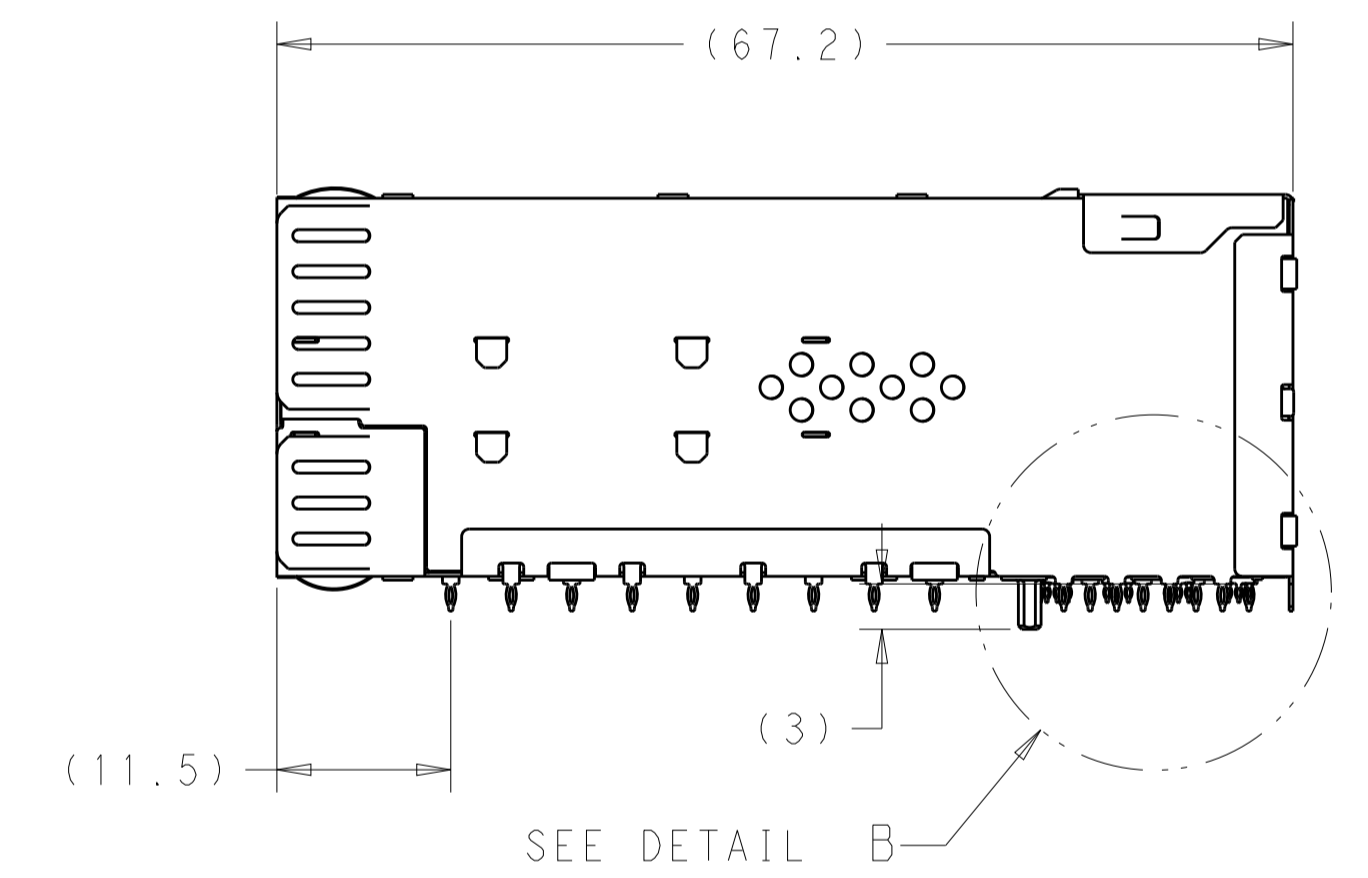
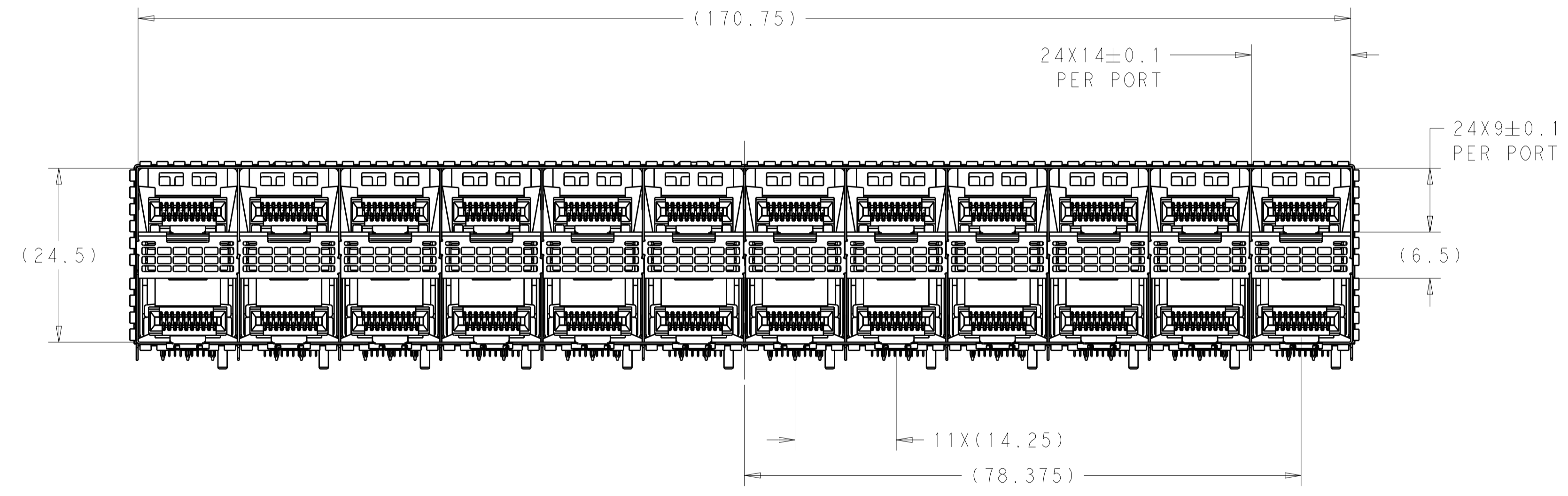


LOC	DIST	REVISIONS					
GP	00	P	LTN	DESCRIPTION	DATE	DWN	APVD
		A		RELEASE TO REV A	23OCT2019	JY	SH

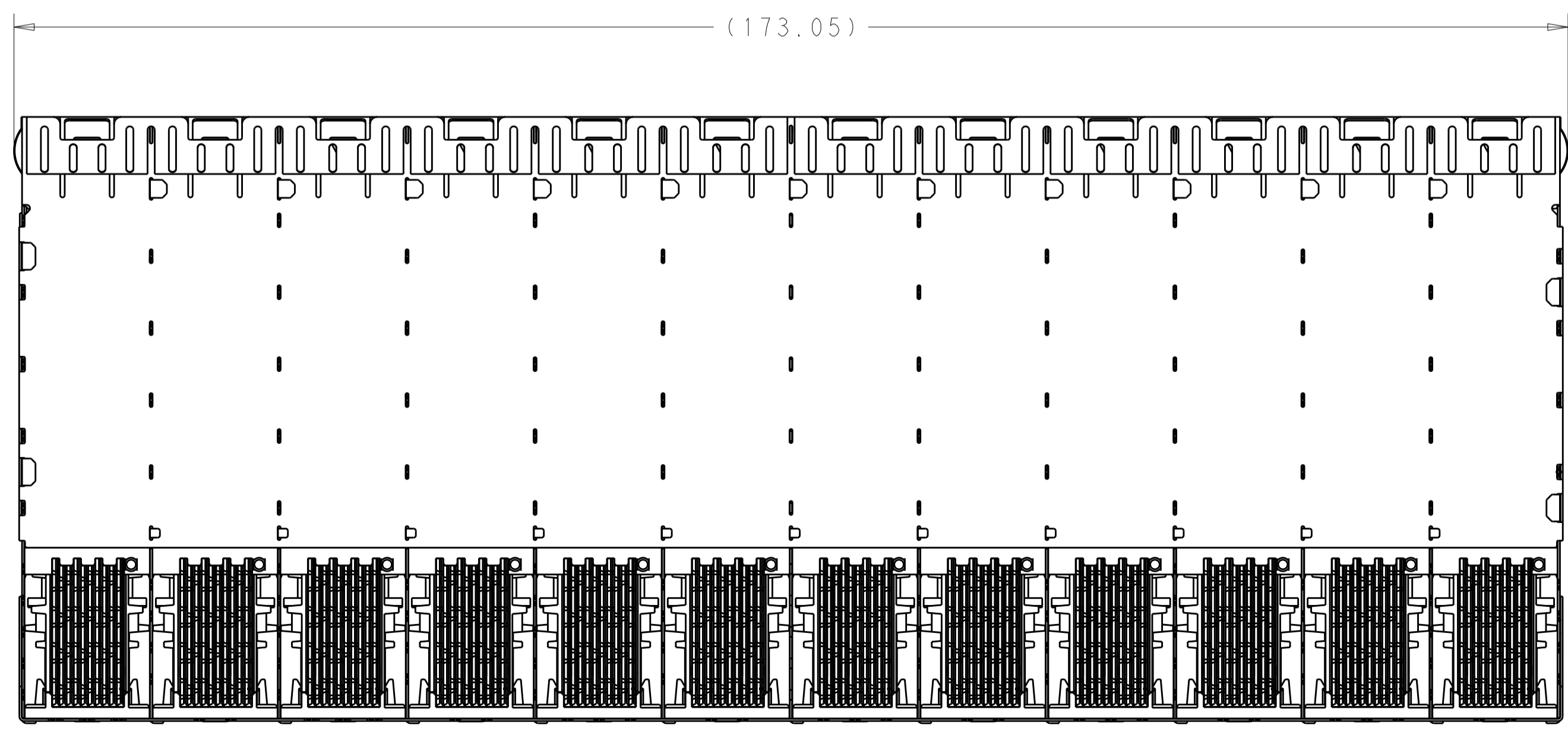


2357518-1
SCALE 2:1

- MATERIALS:
 CAGE ASSEMBLY - STAINLESS STEEL
 CONNECTOR HOUSING - LCP, BLACK, UL 94V-0 RATED
 CHICKLET - LCP, BLACK, UL 94V-0 RATED
 CHICKLET ALIGNMENT CLIP - PBT
 CONTACT - COPPER ALLOY
 EMI SPRINGS - PHOSPHOR BRONZE PER ASTM B 103,
 0.8µm MIN TIN OVER NICKEL PATING
 - CONTACT FINISH:
 0.76µm MIN GOLD PER ASTM B 844 AT MATING INTERFACE,
 1.25µm MIN MATTE TIN PER ASTM B 545 AT PCB INTERFACE
 ALLOYER 2.54µm MIN NICKEL PER QQ-N-290.
 - PCB MINIMUM THICKNESS FOR SINGLE SIDE= 1.5mm MIN
 PCB MINIMUM THICKNESS FOR BELLY TO BELLY=3mm MIN
- △ FOR HOLE SIZE AND PLATINGS,
SEE APPLICATION SPECIFICATION 114-13319
- △ LIGHT PIPE PAD LAYOUT IS FOR 0805 LOW PROFILE
LED PACKAGE WITH A HEIGHT OF 0.5mm
- △ DIMENSIONS APPLY FOR EMI SPRINGS ONLY
- △ THE ENTIRE AREA OF THE CONNECTOR FOOTPRINT,
INDICATED BY THE DASHED LINE, TO BE CONSIDERED
THE KEEPOUT AREA FOR COMPONENTS AND SIGNAL TRACES,
TOP SIDE ONLY, TOP SIDE TRACES ALLOWED WITHIN
CONNECTOR HOLE PATTERN



DETAIL B
SCALE 4:1



173.5	EMI SPRINGS AIRFLOW ENHANCE TYPE	2357518-1
(E)	CAGE TYPE	PART NUMBER

THIS DRAWING IS A CONTROLLED DOCUMENT. DWN: J. WANG 30MAY2019
 CHK: S. HAN 30MAY2019
 APVD: S. HAN 30MAY2019

DIMENSIONS: mm
 TOLERANCES UNLESS OTHERWISE SPECIFIED:
 0 PLC ±
 1 PLC ±0.25
 2 PLC ±0.25
 3 PLC ±0.25
 4 PLC ±
 ANGLES ±

FINISH: SEE NOTES

PRODUCT SPEC: 108-60129
 APPLICATION SPEC: 114-13319

WEIGHT: -
 CUSTOMER DRAWING

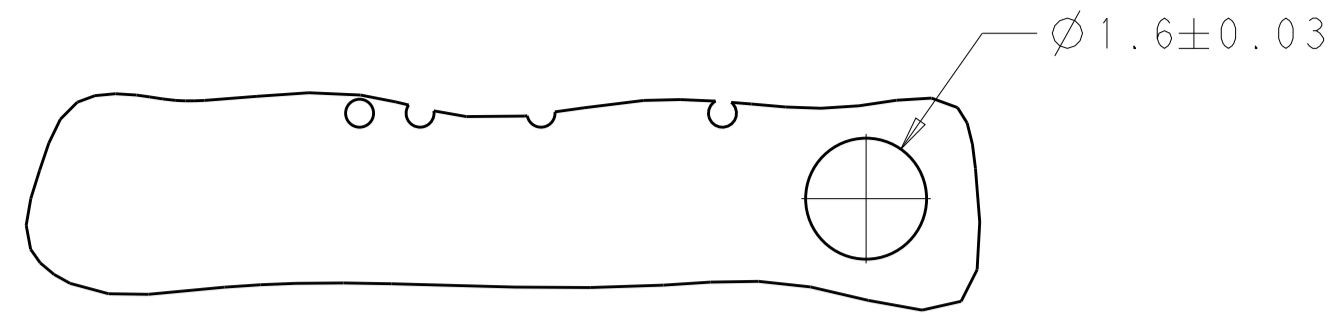
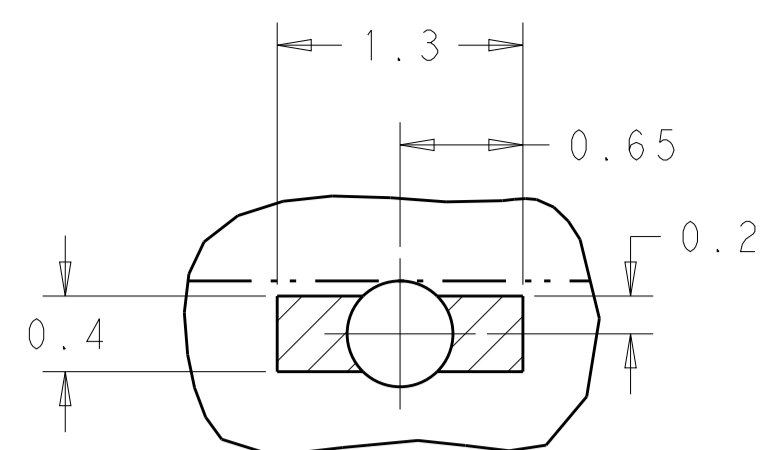
SIZE: A1
 CAGE CODE: 00779
 DRAWING NO: 2357518

RESTRICTED TO: -

SCALE: 2:1 SHEET 1 OF 4 REV A

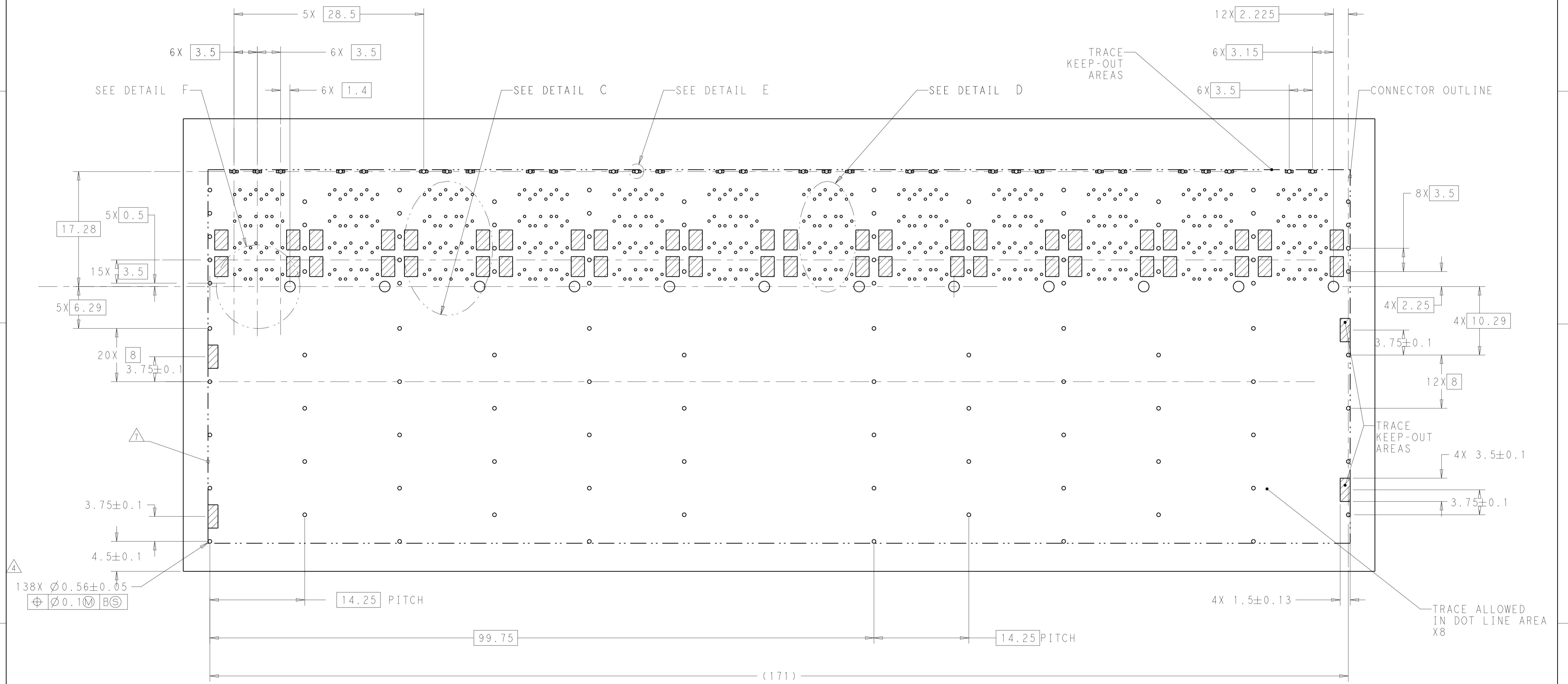
TE Connectivity
 RECEPTACLE ASSEMBLY, 2X12 ZSFP+ STACKED BELLY TO BELLY

LOC		DIST		REVISIONS			
GP	00	P	LTN	DESCRIPTION	DATE	DMN	APVD
				SEE SHEET 1			



DETAIL E
20 PLACES
SCALE 25:1

DETAIL F
8 PLACES
SCALE 10:1



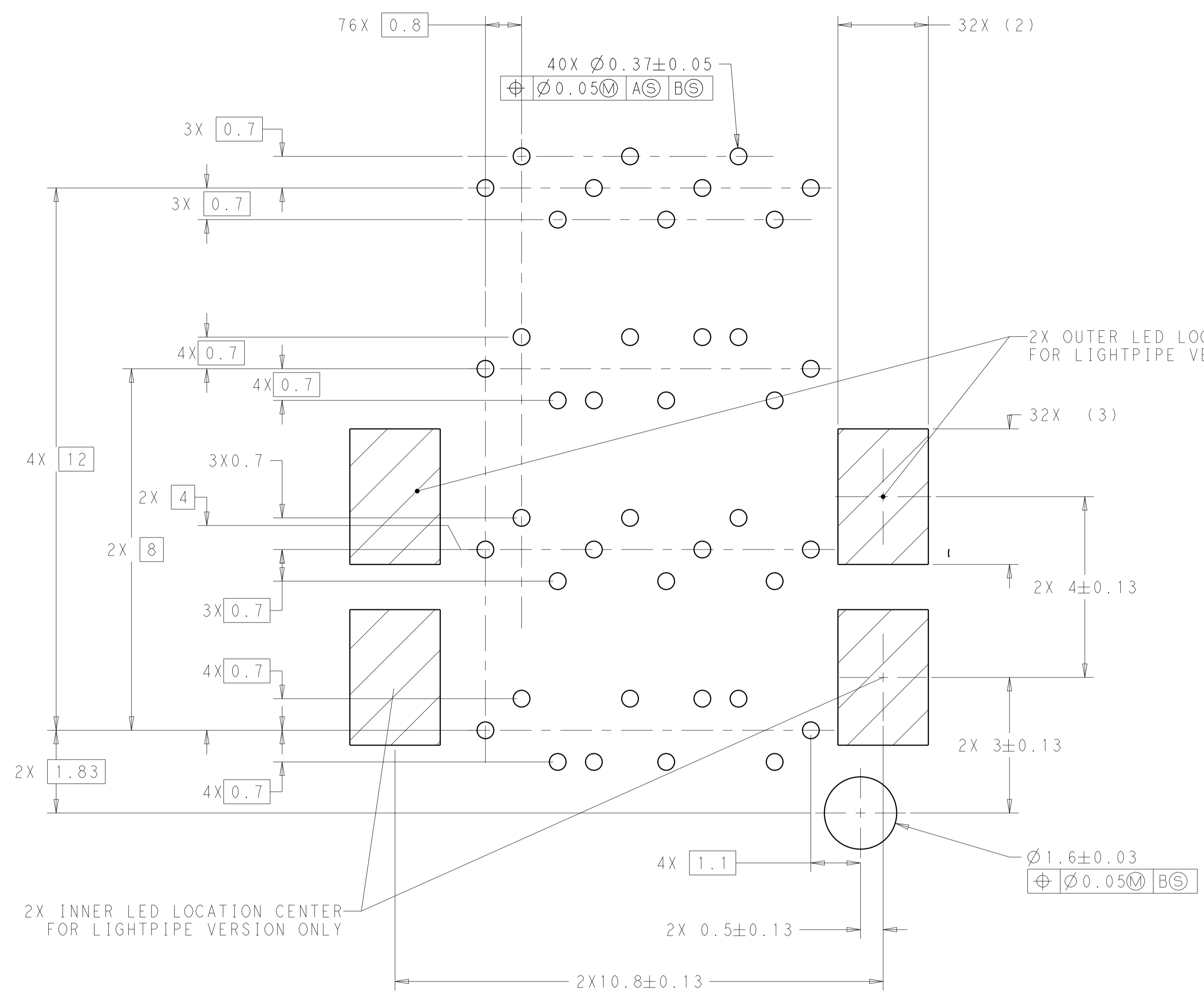
RECOMMENDED SINGLE SIDE PCB LAYOUT
SCALE 7:2

138X $\varnothing 0.56 \pm 0.05$
 $\varnothing 0.1$ B(S)

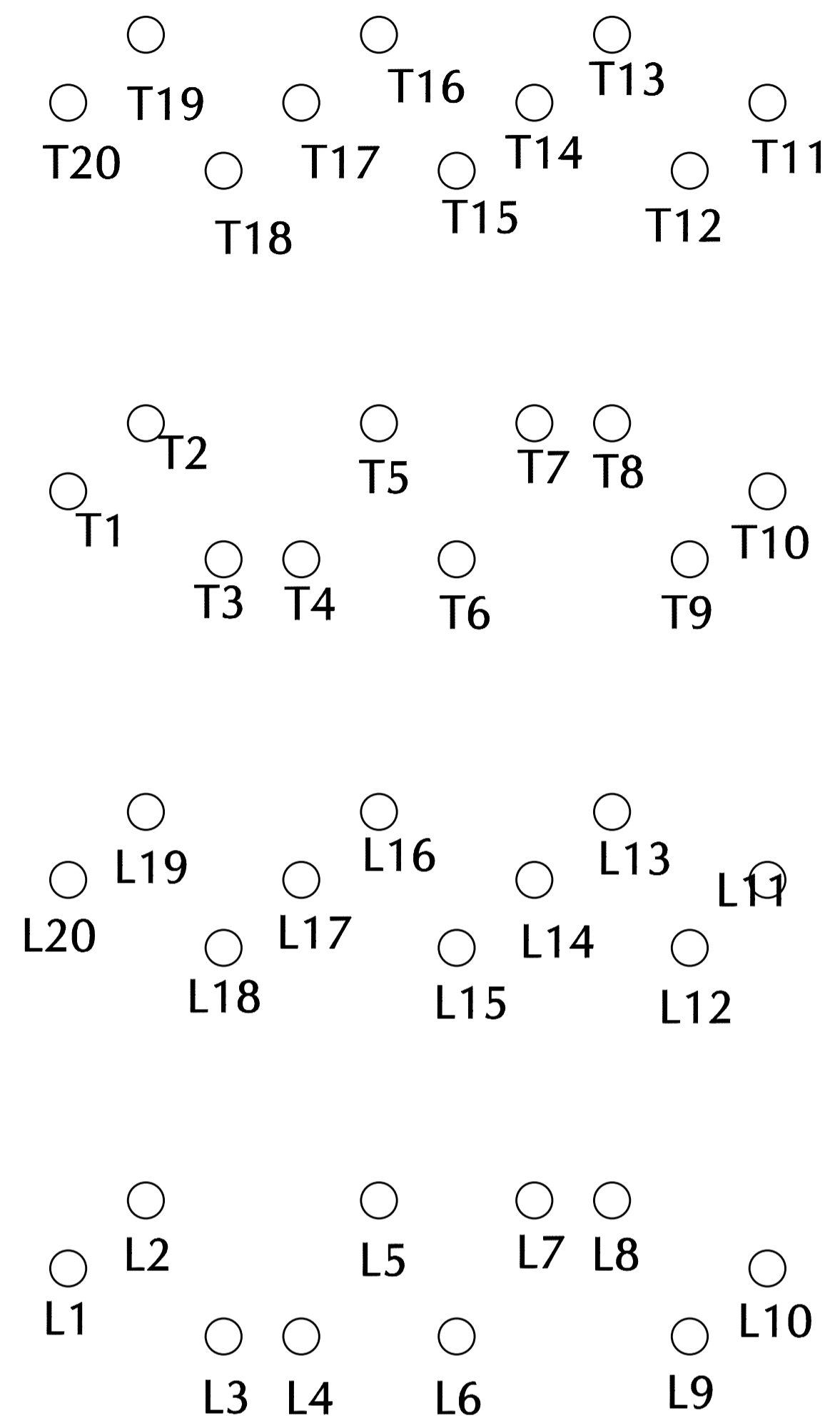
THIS DRAWING IS A CONTROLLED DOCUMENT.		DMN J. WANG 30MAY2019	TE Connectivity										
DIMENSIONS: mm		CHK S. HAN 30MAY2019											
TOLERANCES UNLESS OTHERWISE SPECIFIED:		APVD S. HAN 30MAY2019	NAME RECEPTACLE ASSEMBLY, 2X12 ZSFP+ STACKED BELLY TO BELLY										
<table border="1"> <tr> <td>0 PLC</td> <td>±</td> </tr> <tr> <td>1 PLC</td> <td>±0.25</td> </tr> <tr> <td>2 PLC</td> <td>±0.25</td> </tr> <tr> <td>3 PLC</td> <td>±0.25</td> </tr> <tr> <td>4 PLC</td> <td>±</td> </tr> </table>		0 PLC	±	1 PLC	±0.25	2 PLC	±0.25	3 PLC	±0.25	4 PLC	±	PRODUCT SPEC 108-60129	SIZE 114-13319
0 PLC	±												
1 PLC	±0.25												
2 PLC	±0.25												
3 PLC	±0.25												
4 PLC	±												
MATERIAL SEE NOTES		FINISH SEE NOTES	RESTRICTED TO A100779C=2357518										
CUSTOMER DRAWING		SCALE 3:1	SHEET 2 OF 4										

LOC	DIST	REV	DATE	BY	APPV
GP	00				

REVISIONS			
NO.	DESCRIPTION	DATE	BY
-	SEE SHEET 1	-	-

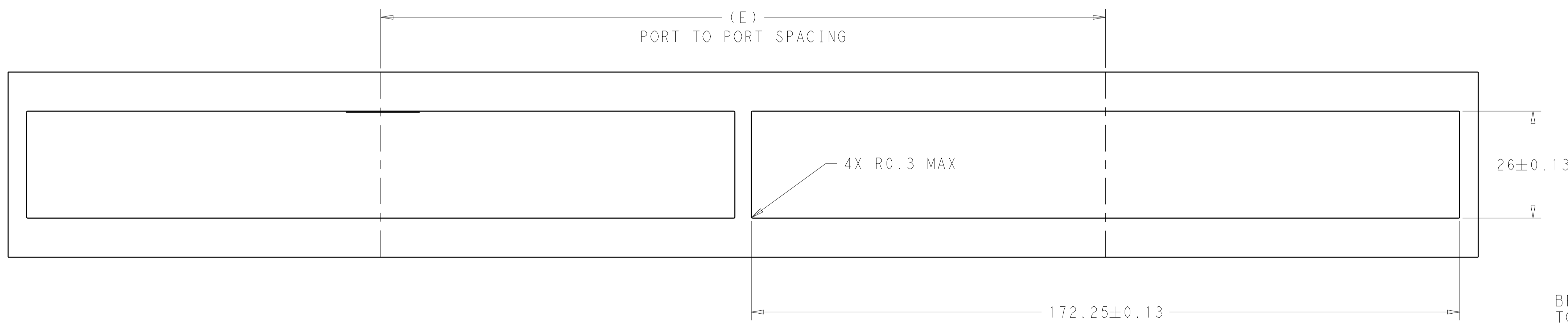


DETAIL C
 RECOMMENDED PIN AND LIGHT PIPE LAYOUT
 12X INDIVIDUALLY
 SCALE 15:1

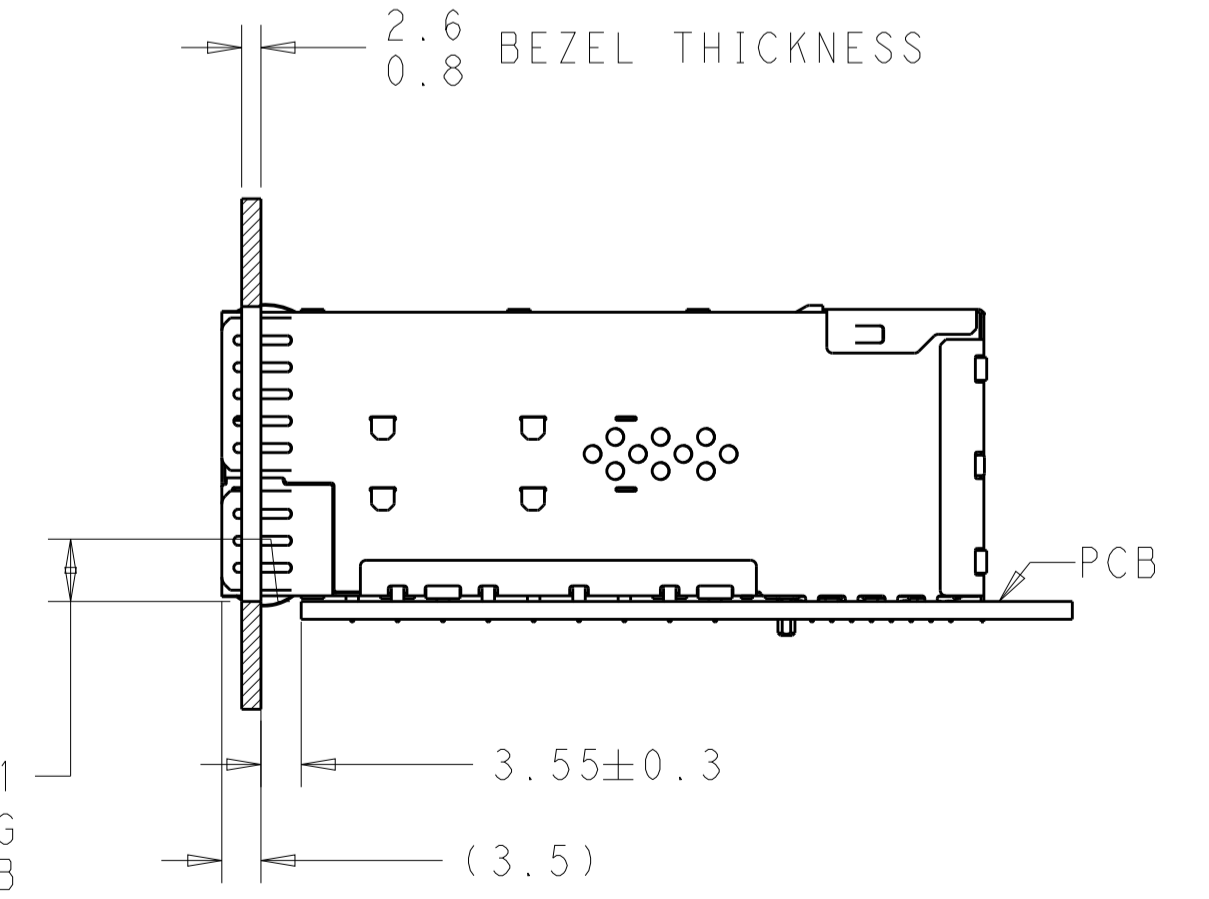


PIN MAP LEGEND	
PIN NUMBER	FUNCTION
L1/T1	VEET
L2/T2	TX-FAULT
L3/T3	TX-DISABLE
L4/T4	SDA
L5/T5	SCL
L6/T6	MOD_ABS
L7/T7	RSO
L8/T8	RX_LOS
L9/T9	RSI
L10/T10	VEER
L11/T11	VEER
L12/T12	RD-
L13/T13	RD+
L14/T14	VEER
L15/T15	VCCR
L16/T16	VCCT
L17/T17	VEET
L18/T18	TD+
L19/T19	TD-
L20/T20	VEET

DETAIL D
 PIN MAP
 8X PLACES
 SCALE 18:1

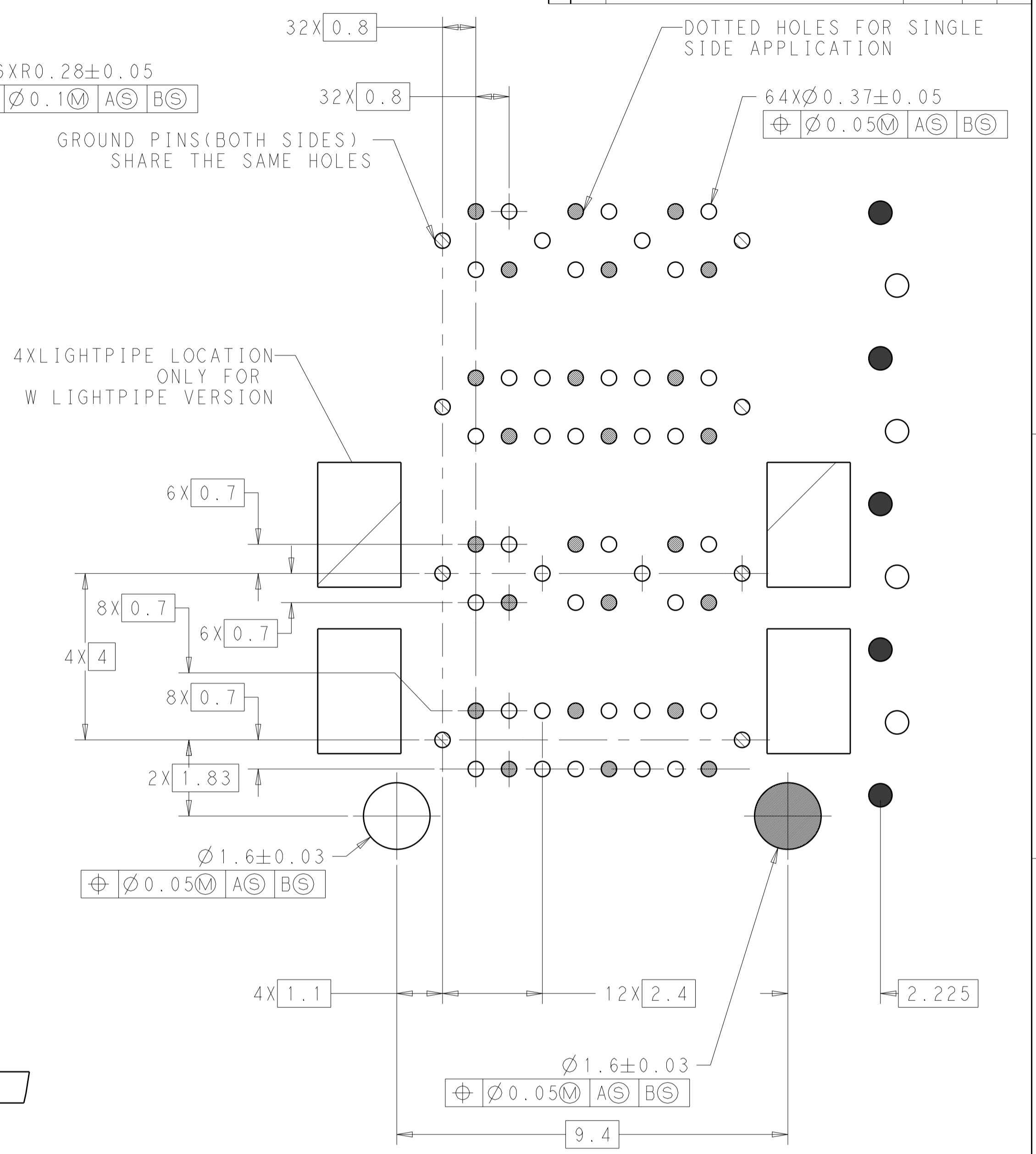
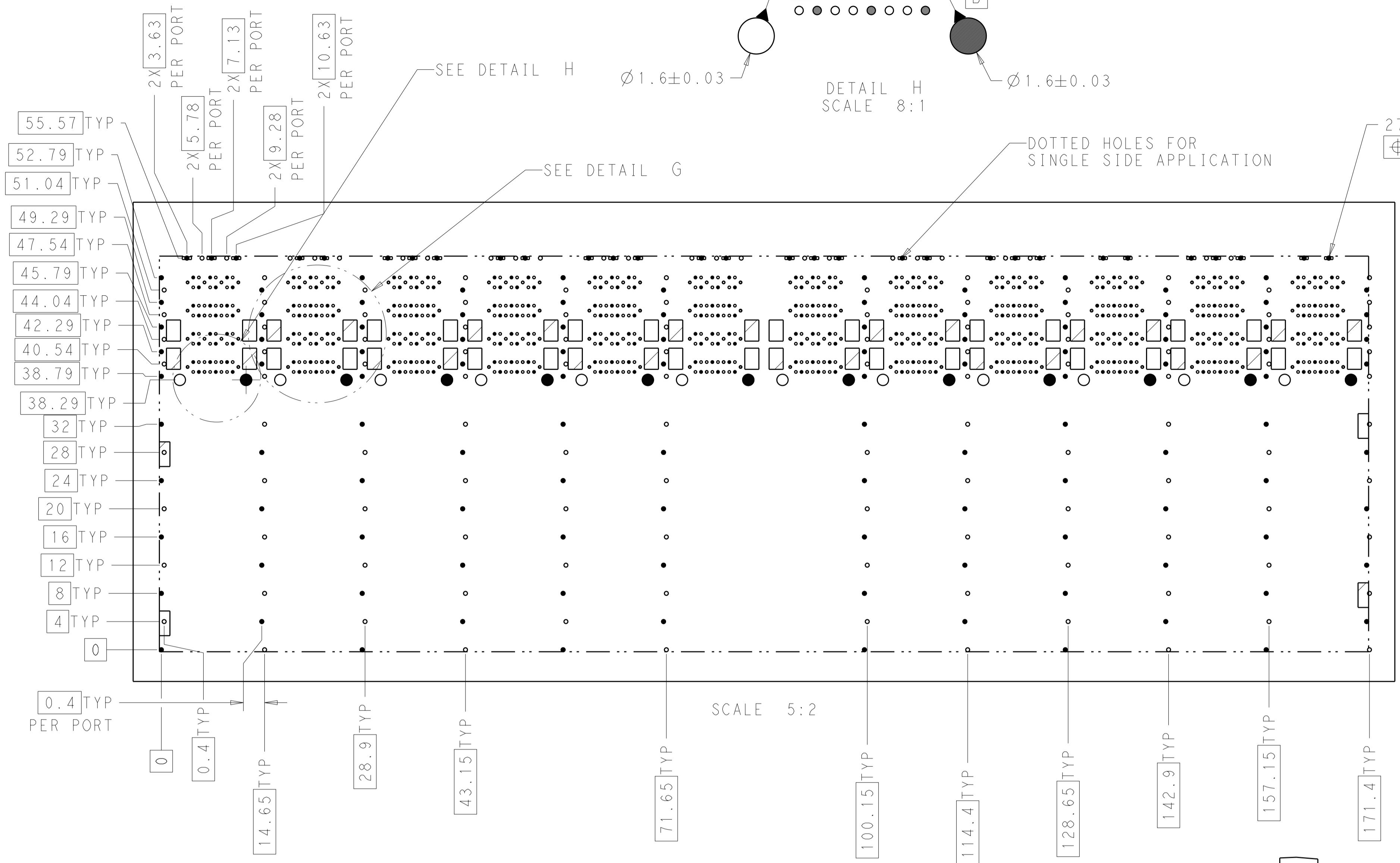


RECOMMENDED BEZEL CUT-OUT DETAIL
 SCALE 3:2

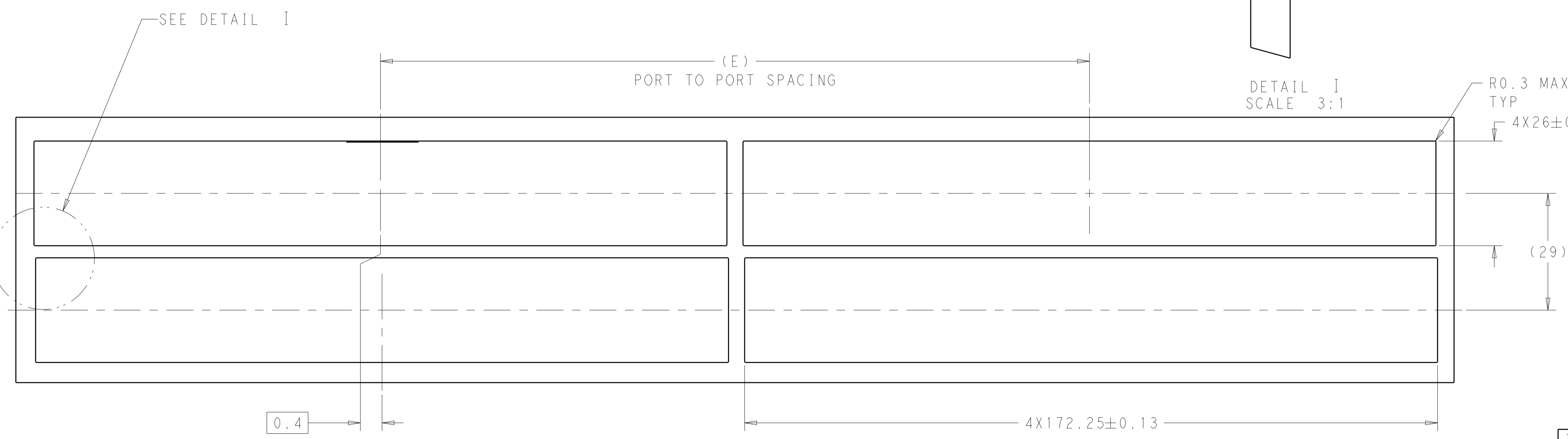


THIS DRAWING IS A CONTROLLED DOCUMENT.		DWG: J.WANG 30MAY2019 CHK: S.HAN 30MAY2019 APVD: S.HAN 30MAY2019	TE Connectivity
DIMENSIONS: mm 	TOLERANCES UNLESS OTHERWISE SPECIFIED: 0 PLC ± 1 PLC ±0.25 2 PLC ±0.25 3 PLC ±0.25 4 PLC ± ANGLES ±	NAME: RECEPTACLE ASSEMBLY, 2X12 zSFP+ STACKED BELLY TO BELLY PRODUCT SPEC: 108-60129 APPLICATION SPEC: 114-13319 WEIGHT: - CUSTOMER DRAWING	

LOC	DIST	REVISIONS			
GP	00	REV	DATE	BY	APPV
		1	SEE SHEET 1		



RECOMMENDED BELLY TO BELLY PCB LAYOUT
UNMAKRED DIMENSIONS SAME AS SINGLE SIDE LAYOUT



RECOMMENDED BEZEL CUT-OUT DETAIL
FOR BELLY TO BELLY APPLICATION
SCALE 3:2

THIS DRAWING IS A CONTROLLED DOCUMENT.		OWN: J. WANG 30MAY2019	 TE Connectivity
DIMENSIONS: mm		CHK: S. HAN 30MAY2019	
TOLERANCES UNLESS OTHERWISE SPECIFIED:		APVD: S. HAN 30MAY2019	NAME: RECEPTACLE ASSEMBLY, 2X12 ZSFP+ STACKED BELLY TO BELLY
0 PLC ±	1 PLC ±0.25	PRODUCT SPEC	108-60129
2 PLC ±0.25	3 PLC ±0.25	APPLICATION SPEC	114-13319
4 PLC ±	ANGLES ±	SIZE: 114-13319	CAGE CODE: 2357518
MATERIAL: SEE NOTES	FINISH: SEE NOTES	WEIGHT: -	SCALE: 3:1 SHEET 4 OF 4 REV A
CUSTOMER DRAWING		RESTRICTED TO	