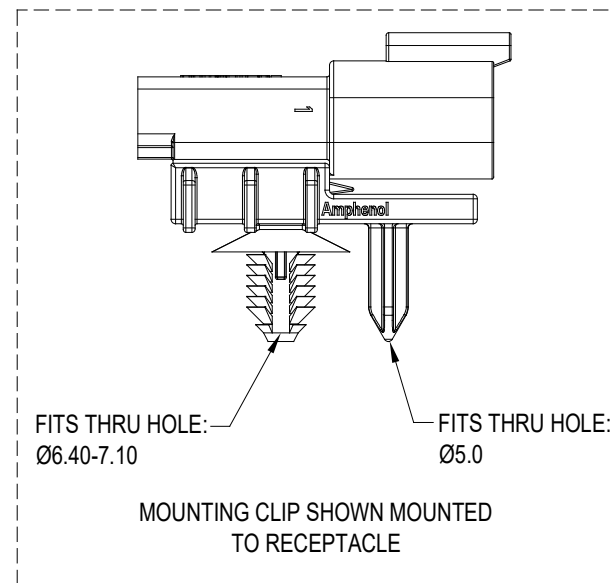
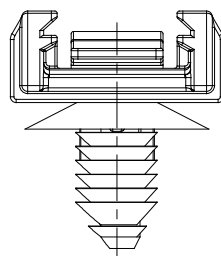
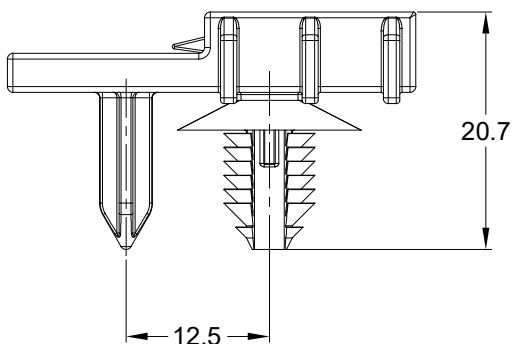
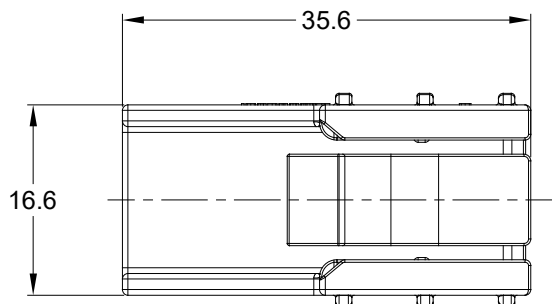


REVISIONS

REV	ECO	DESCRIPTION	DATE	BY	APPR
A1	--	NEW RELEASE	14/MAR/18	ROOKIE	TOMMY
A2	--	UPDATE DRAWING	19/SEP/19	ROOKIE	TOMMY



NOTES: UNLESS OTHERWISE SPECIFIED

1. MATERIAL: THERMOPLASTIC; COLOR: BLACK

2. RoHS COMPLIANT

3. USE WITH CONNECTORS

A.AT04-2P*/3P*/4P*/6P*/12P*

B.ATM04-2P*~12P*

C.ATP04-2P*/4P*

D.ATV04-*

E.ATHD04-*

(* = MODIFICATIONS AND/OR COLORS)

4. ALL DIMENSIONS ARE FOR REFERENCE USE ONLY.

5. RECOMMENDED PANEL THICKNESS: 0.70 - 5.10.

QUANTITY	PART NUMBER	DESCRIPTION	ITEM
	AT11-310-0205		
MATERIALS LIST			
<p>UNLESS OTHERWISE SPECIFIED</p> <p>1) All dimensions are in metric(mm).</p> <p>2) Tolerances are as follows:</p> <p>1 PL DEC ±0.30 Fractions ±1/64</p> <p>2 PL DEC ±0.15 Angles ±1°</p> <p>3 PL DEC ±0.08</p> <p>3) Note reference = </p>		<p>SIGNATURES</p> <p>DATE</p> <p>DRAWN: ROOKIE 19/SEP/19</p> <p>CHECKED: ORION 19/SEP/19</p> <p>ENGINEER:</p> <p>APPROVAL: TOMMY 19/SEP/19</p> <p>CUSTOMER:</p>	<p>Amphenol</p> <p>Sine Systems - www.amphenol-sine.com</p> <p>44724 Morley Drive</p> <p>Clinton Township, MI 48036</p>
<p>MATERIAL SPECIFICATIONS:</p>		<p>MOUNTING CLIP,AT/ATM/ATP/ATV/ATHD,BLK</p>	
<p>PROCESS SPECIFICATIONS:</p>		<p>THIS DRAWING IS SUPPLIED FOR INFORMATION ONLY. DESIGN FEATURES, SPECIFICATIONS AND PERFORMANCE DATA SHOWN HEREON ARE THE PROPERTY OF THE AMPHENOL CORPORATION. NO RIGHTS OF REPRODUCTION ARE IMPLIED. ALL DIMENSIONS ARE SUBJECT TO NORMAL MANUFACTURING VARIATIONS.</p>	
<p>NEXT ASSY:</p>		<p>SIZE: A</p> <p>SCALE: NONE</p>	<p>TYPE: C-</p> <p>DWG NO: AT11-310-0205</p> <p>REVISION: A2</p>
			<p>SHEET 1 OF 1</p>