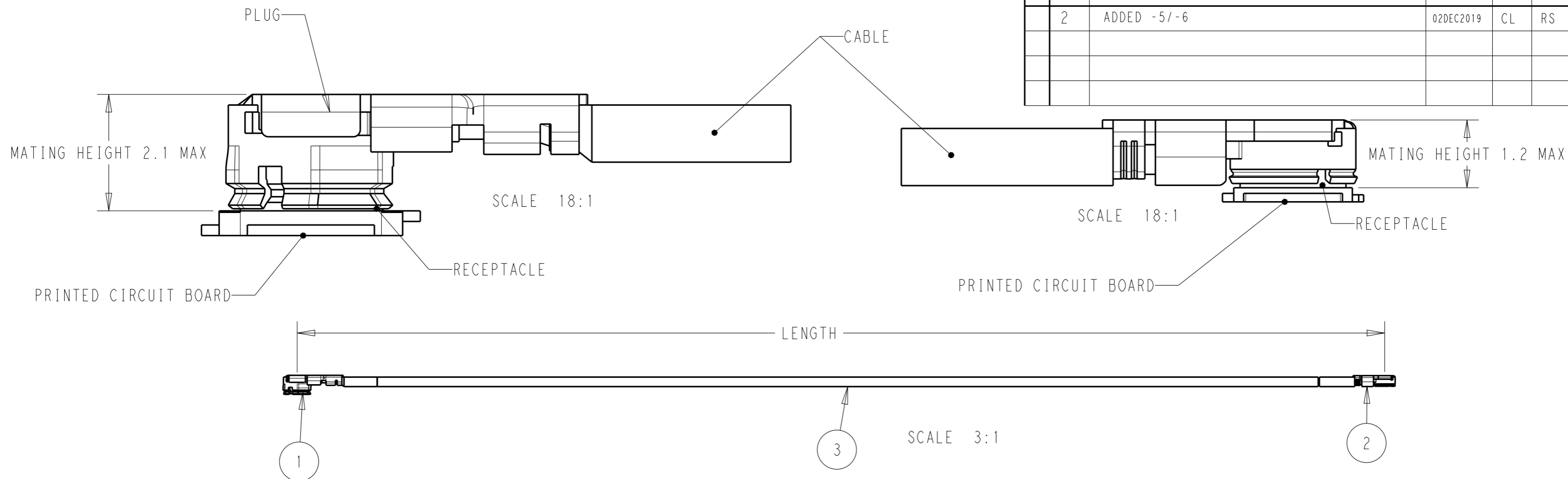


P	LTR	DESCRIPTION	DATE	DWN	APVD
2		ADDED -5/-6	02DEC2019	CL	RS



THIS PRINT IS  
**PRELIMINARY**  
 UNQUALIFIED PRODUCT  
 CONTACT PRODUCT ENGINEERING  
 BEFORE USING THIS PRINT

- NOTES:
- MATERIAL AND PROCESSING MUST MEET REQUIREMENTS OF TEC-138-702
  - UMCC GEN2 AND GEN4 MATING HEIGHT AS SHOW
  - PRODUCT RATING:  
 TEMPERATURE: -45°C TO +85°C  
 VOLTAGE: 30V (RMS)  
 CHARACTERISTIC IMPEDANCE: 50 OHMS Normal  
 FREQUENCY RANGE: DC TO 6GHz  
 BEND RADIUS: 4.5MM MIN
  - CABLE ASSEMBLY TO BE 100% SI TESTED  
 VSWR:  
 1.3:1 MAX @ DC~1000MHz  
 1.5:1 MAX @ 1000~4000MHz  
 2.0:1 MAX @ 4000~6000MHz  
 INSERT LOSS:  
 (5.30\*LENGTH+0.4)dB MAX @2GHz  
 LENGTH UNIT IS METER IN THE FORMULA
  - UMCC CAN MATE WITH I-PEX MHF SERIES AND HIROSE U.FL SERIES

2016677-6	350±3
2016677-5	250±3
2016677-4	220±3
2016677-3	170±3
2016677-2	120±3
2016677-1	70+3
PART NUMBER	LENGTH

Q'TY	UNIT	DESCRIPTION	ITEM
PC	1	COAXIAL CABLE, 0.81MM, 500HM, BLACK	3
PC	1	UMCC PLUG, GEN4, FOR 0.81 CABLE	2
PC	1	UMCC PLUG, GEN2, FOR 0.81 CABLE	1

THIS DRAWING IS A CONTROLLED DOCUMENT.		DWN	22MAR2019		
DIMENSIONS: mm		CHK	-		
TOLERANCES UNLESS OTHERWISE SPECIFIED:		APVD	-	NAME RF CA, UMCC GEN2-GEN4, 0.81, BK	
0 PLC ±-		PRODUCT SPEC	-	-	
1 PLC ±0.1		APPLICATION SPEC	-	-	
2 PLC ±0.01		WEIGHT	-	SIZE	A3
3 PLC ±0.001		CUSTOMER DRAWING	CUSTOMER DRAWING	CAGE CODE	00779
4 PLC ±0.0001		SCALE	1:1	DRAWING NO	G-2016677
ANGLES ±-		SHEET	1 OF 1	RESTRICTED TO	-
MATERIAL	TBD material_2	FINISH	- finish_spec_2	REV	2