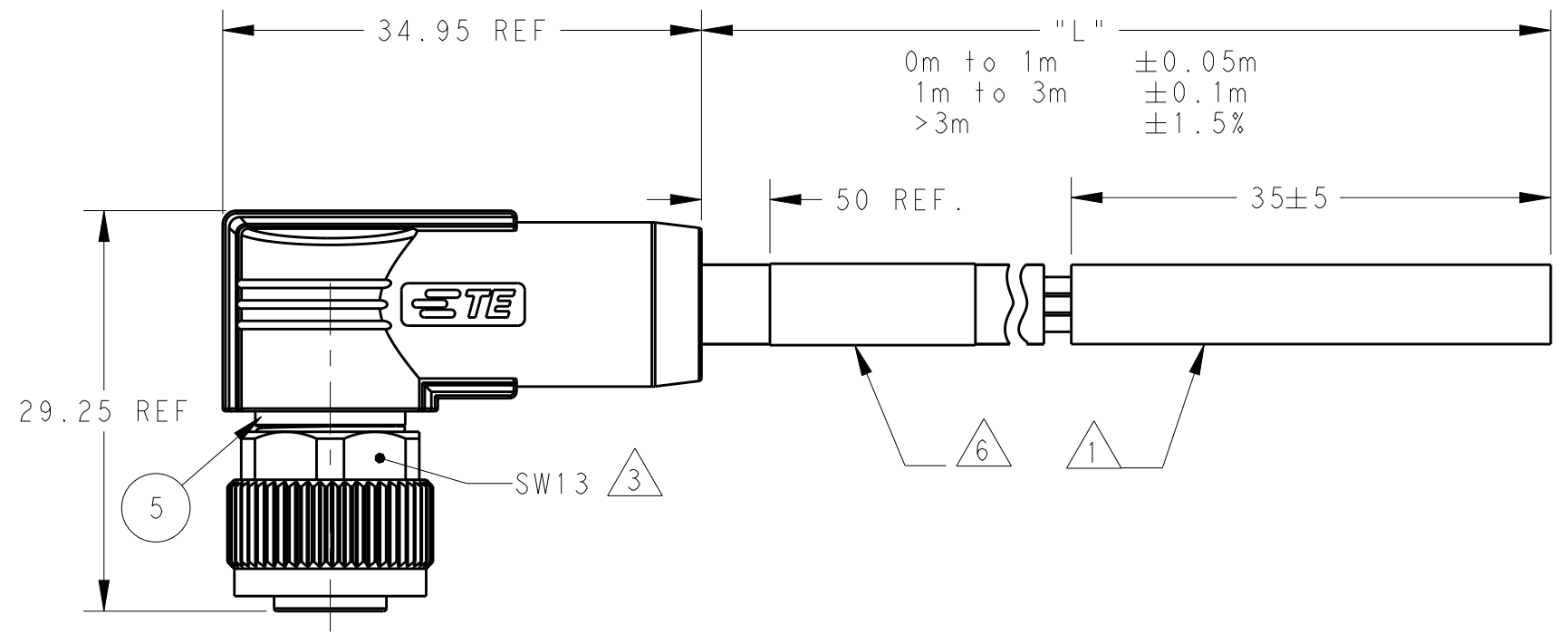
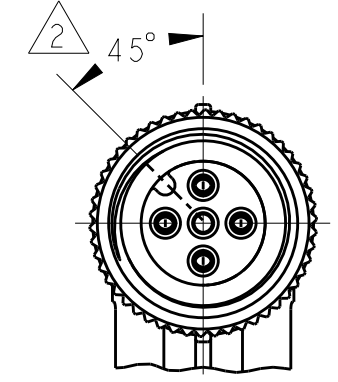


THIS DRAWING IS UNPUBLISHED. RELEASED FOR PUBLICATION 20
 © COPYRIGHT 20 BY - ALL RIGHTS RESERVED.

ITEM	DESCRIPTION	MATERIAL	OTHERS
1	FEMALE CONTACT	COPPER ALLOY	GOLD PLATED
2	HOUSING	NYLON	BLACK
3	COUPLING NUT	COPPER ALLOY	NICKEL PLATED
4	OVER-MOLDING	PVC	BLACK
5	SHIELDED SHELL	COPPER ALLOY	NICKEL PLATED
6	O-RING	SILICONE	GRAY
7	CABLE	PVC JACKET	RED
8	LABEL	-	-



REVISIONS				
P	LTR	DESCRIPTION	DATE	APVD
	A	INITIAL RELEASE	29JUL2019	A.Z C.W

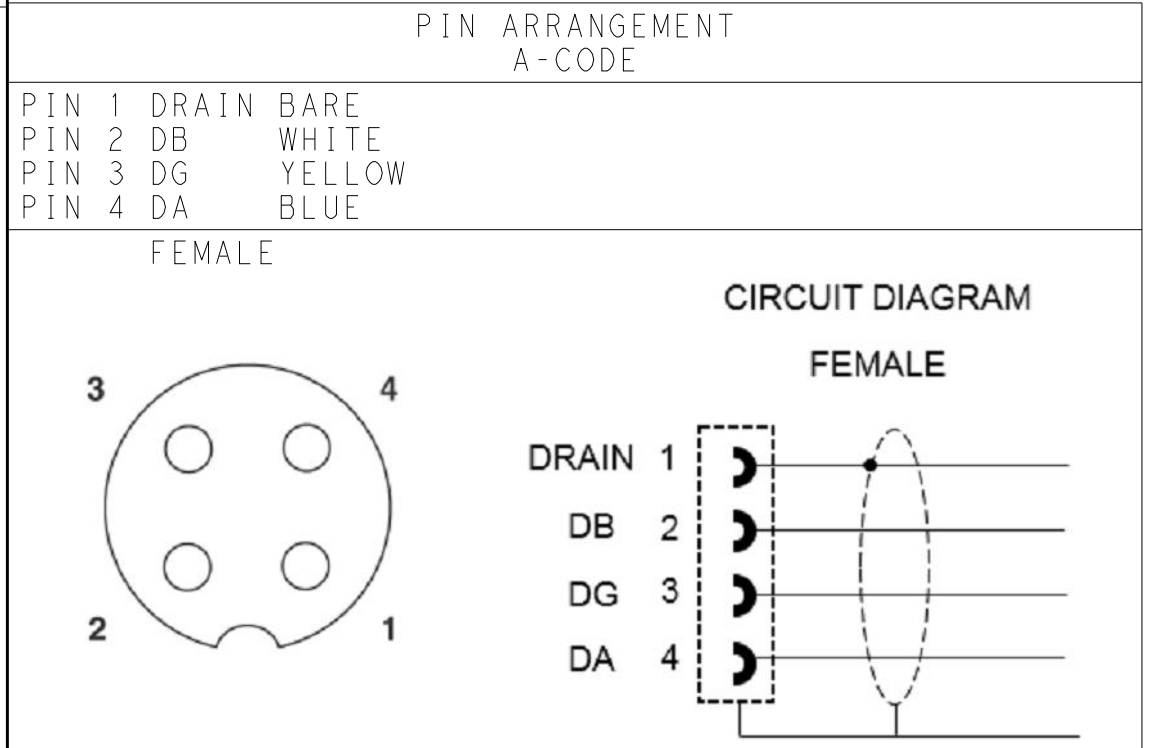
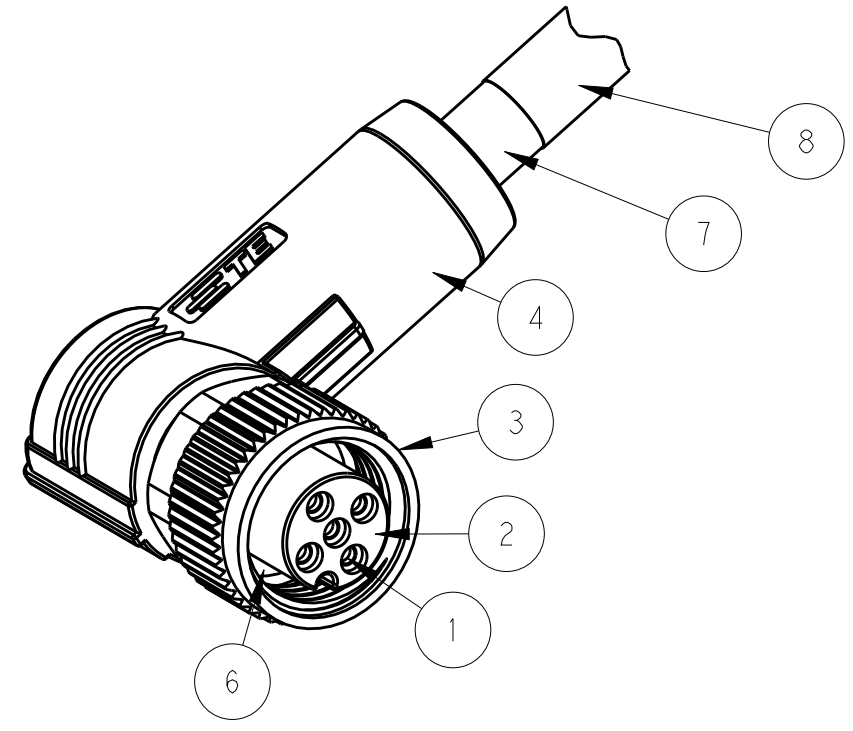
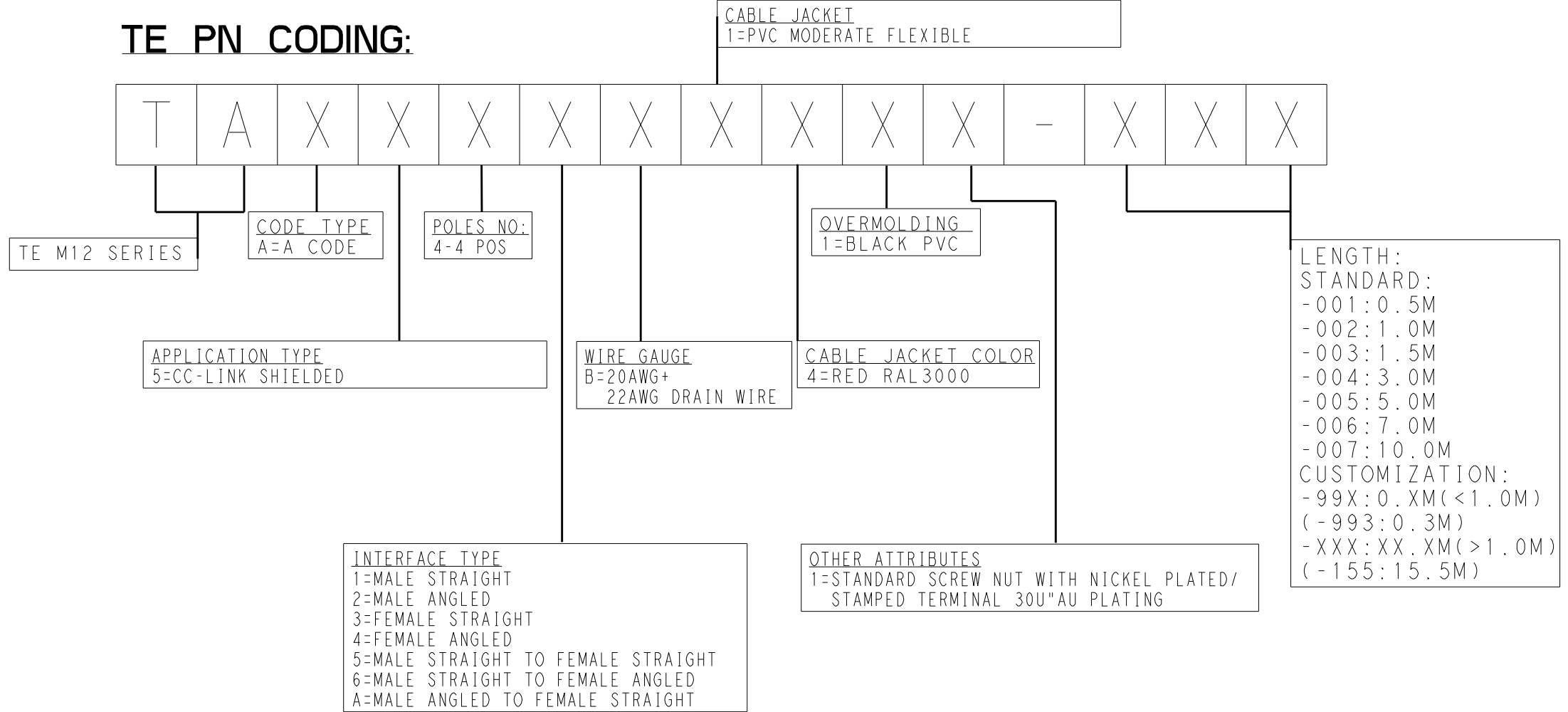
- NOTE:
- ①. STRIP AND RETAIN THE INSULATION
 - ②. CODE POSITION INDICATOR
 - ③. RECOMMENDED TORQUE 0.6 Nm
 - ④. -*:CABLE LENGTH, FOR EXAMPLE: -0.5M
 - ⑤. CABLE ASSEMBLY TO BE PACKAGED IN POLYBAGS
 - ⑥. LABEL CONTAINS: PN, DATE CODE...

- 注释:
- ①. 剥线并保留护套绝缘层
 - ②. CODE位置指示
 - ③. 推荐扭矩0.6 Nm
 - ④. -*:线缆长度, 例如: -0.5M
 - ⑤. 线缆组件塑料袋包装
 - ⑥. 标签包含: 产品编号, 日期代码...

TABLE 1
TECHNICAL DATA

RATED VOLTAGE	250V
RATED IMPULSE VOLTAGE	2500V
RATED CURRENT	4A
POLLUTION DEGREE	3
OVERVOLTAGE CATEGORY	II
MATERIAL GROUP	II
DEGREE OF PROTECTION	IP67

TE PN CODING:



WIRES: 3X20AWG+1X22AWG DRAIN WIRE WIRE COLOR: BLUE/YELLOW/WHITE OD: APPROX. 7.7MM TEMPERATURE RATING: 75°C UL OPERATING TEMP RATING: -30°C To +60°C	STANDARD: -001:0.5M -002:1.0M -003:1.5M -004:3.0M -005:5.0M -006:7.0M -007:10.0M CUSTOMIZATION: -99X:0.XM(<1.0M) (-993:0.3M) -XXX:XX.XM(>1.0M) (-155:15.5M)	M12A4-FR-PVC-***④	TAA544B1411-XXX
CABLE CHARACTERISTIC	LENGTH "L"	TYPE	TE PN

THIS DRAWING IS A CONTROLLED DOCUMENT.		DWN 11APR2019 ALEX ZHANG	TE Connectivity	
DIMENSIONS: mm		CHK 11APR2019 HART HE	NAME M12 A CODE CABLE ASSY, SHIELDED 4P, FR FREE END	
TOLERANCES UNLESS OTHERWISE SPECIFIED: 0 PLC ± 1 PLC ± 2 PLC ± 3 PLC ± 4 PLC ± ANGLES ± FINISH		APVD 11APR2019 CHRIS WANG	PRODUCT SPEC 108-106140	
MATERIAL		APPLICATION SPEC	SIZE A2	CAGE CODE -
		WEIGHT -	DRAWING NO G-TAA544B1411XXX	
CUSTOMER DRAWING		SCALE 2:1	SHEET 1 OF 1	REV A