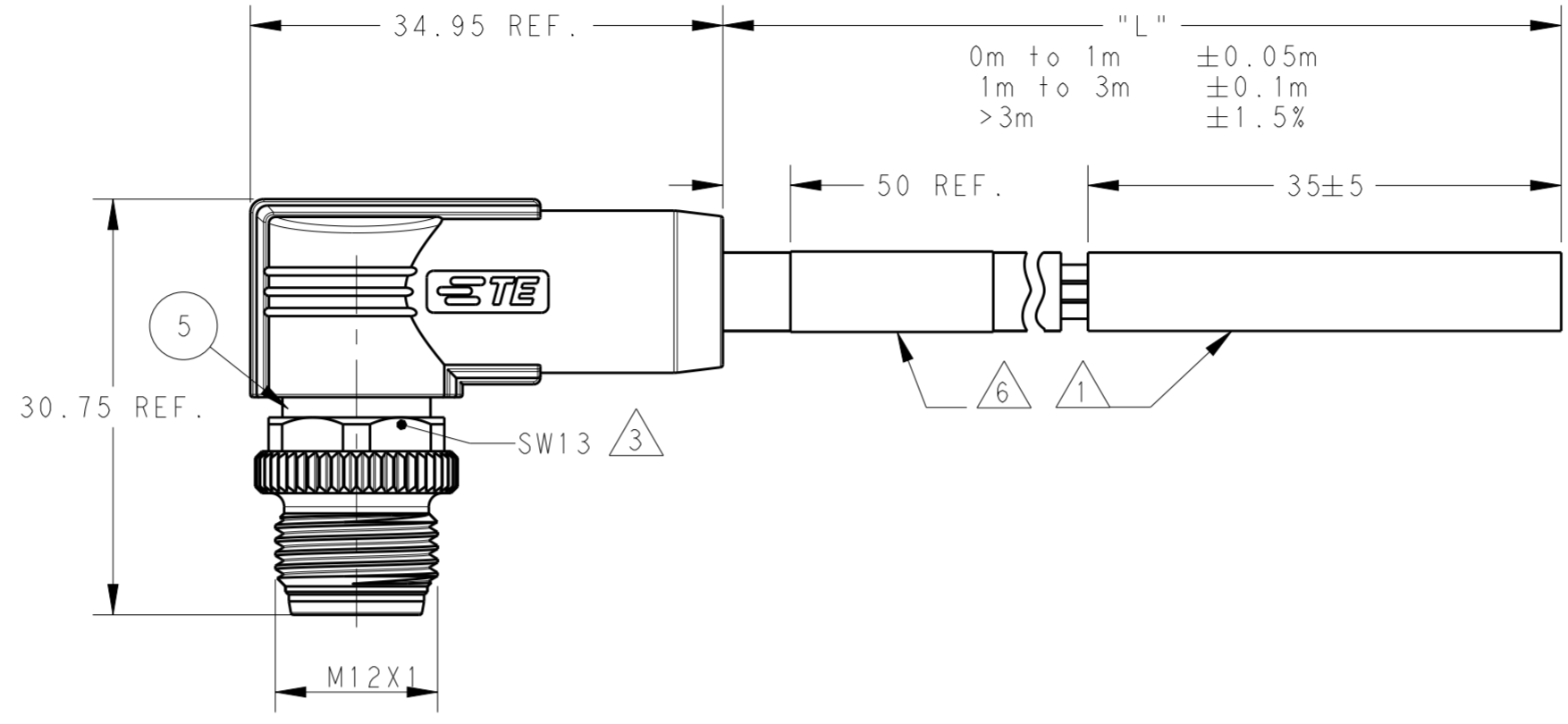
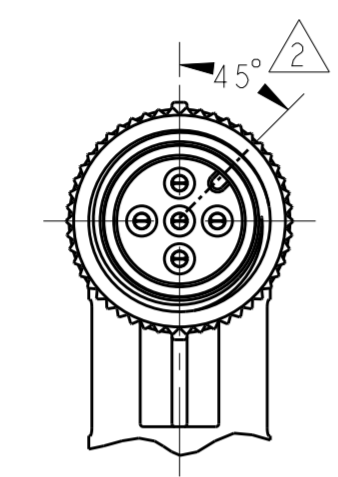


THIS DRAWING IS UNPUBLISHED. RELEASED FOR PUBLICATION 20
 © COPYRIGHT 20 BY - ALL RIGHTS RESERVED.

ITEM	DESCRIPTION	MATERIAL	OTHERS
1	MALE CONTACT	COPPER ALLOY	GOLD PLATED
2	HOUSING	NYLON	BLACK
3	COUPLING NUT	COPPER ALLOY	NICKEL PLATED
4	OVER-MOLDING	PVC/TPU	BLACK
5	SHIELDED SHELL	COPPER ALLOY	NICKEL PLATED
6	CABLE	PVC/PUR JACKET	GRAY/VIOLET
7	LABEL	-	-

REVISIONS				
P	LTR	DESCRIPTION	DATE	APVD
A		INITIAL RELEASE	29JUL2019	A.Z C.W



NOTE:
 1. STRIP AND RETAIN THE INSULATION
 2. CODE POSITION INDICATOR
 3. RECOMMENDED TORQUE 0.6 Nm
 4. -*:CABLE LENGTH, FOR EXAMPLE: -0.5M
 5. CABLE ASSEMBLY TO BE PACKAGED IN POLYBAGS
 6. LABEL CONTAINS: PN, DATE CODE...

注释:
 1. 剥线并保留护套绝缘层
 2. CODE位置指示
 3. 推荐扭矩0.6 Nm
 4. -*:线缆长度,例如:-0.5M
 5. 线缆组件塑料袋包装
 6. 标签包含: 产品编号, 日期代码...

TE PN CODING:

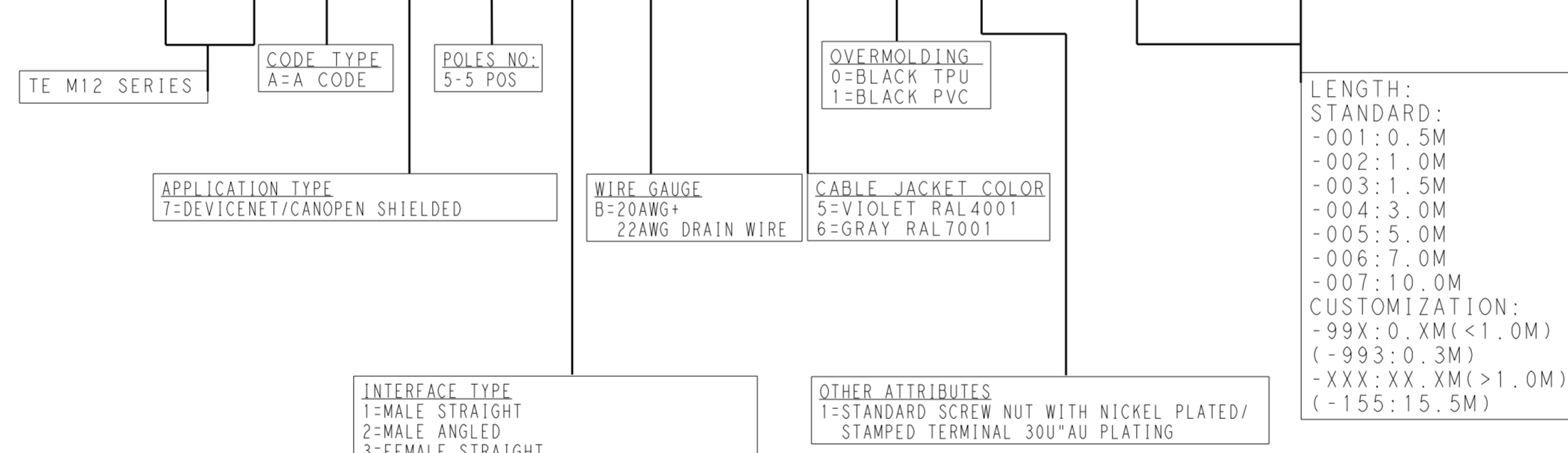
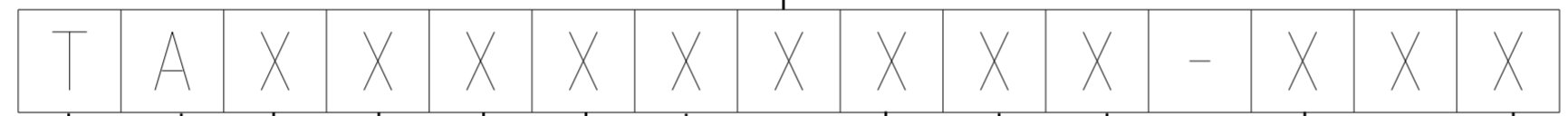
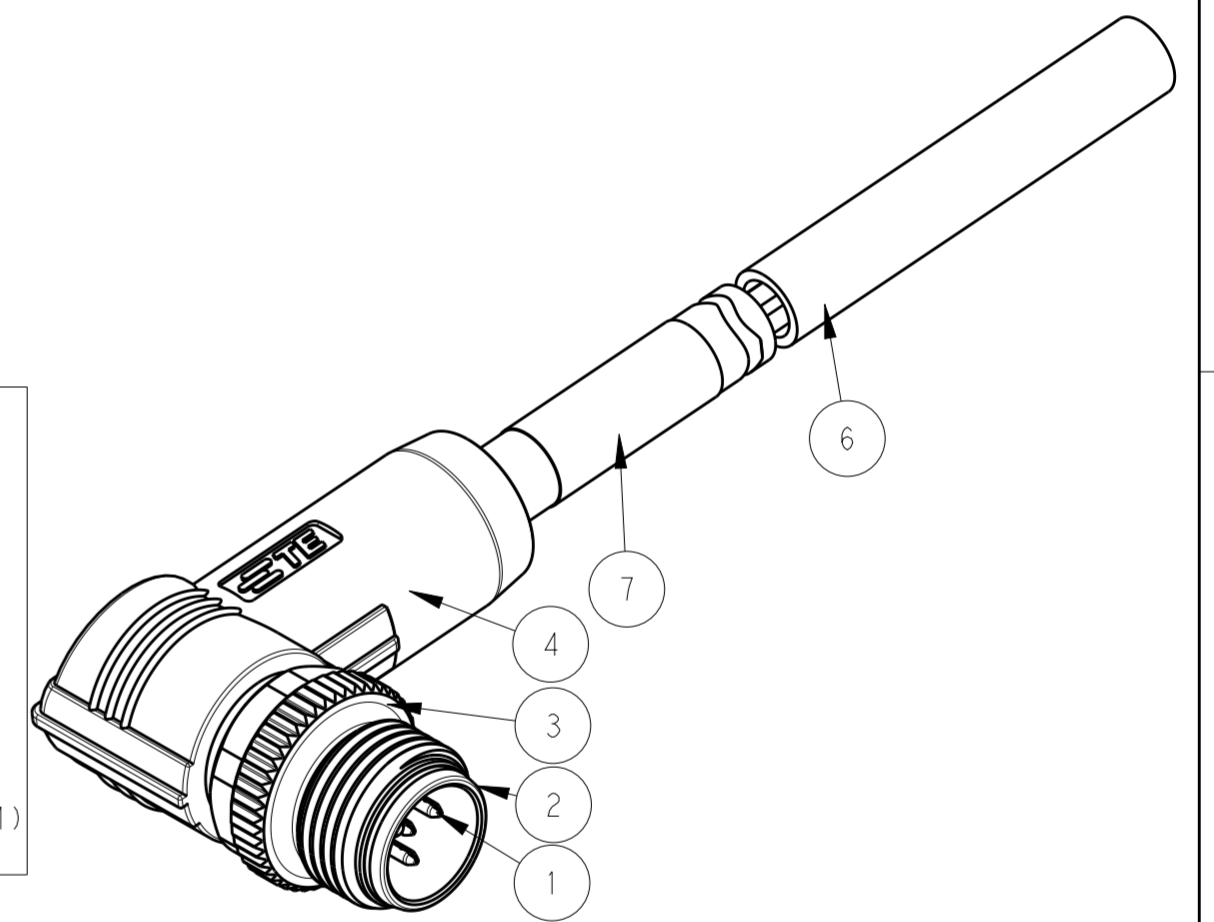
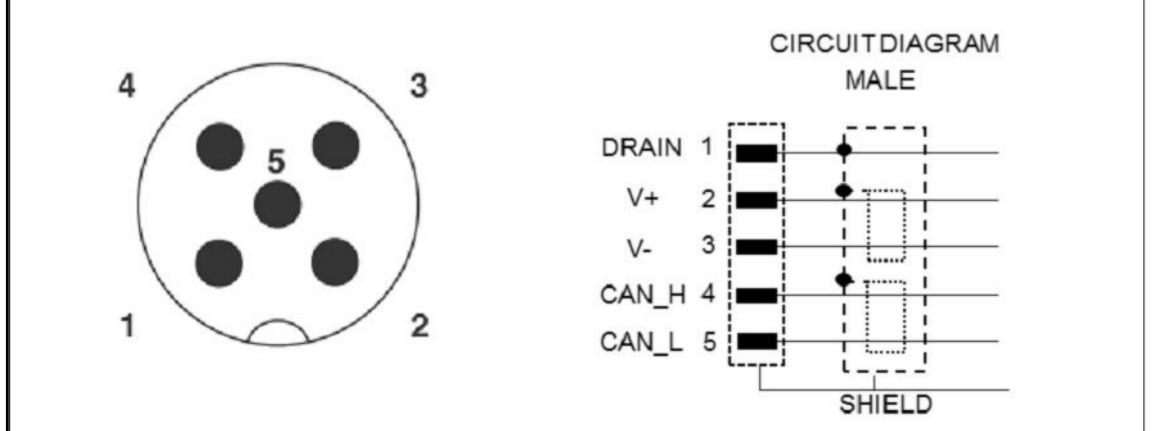


TABLE 1
TECHNICAL DATA

RATED VOLTAGE	60V
RATED IMPULSE VOLTAGE	1500V
RATED CURRENT	4A
POLLUTION DEGREE	3
OVERVOLTAGE CATEGORY	II
MATERIAL GROUP	II
DEGREE OF PROTECTION	IP67

PIN ARRANGEMENT
A-CODE

PIN 4	CAN_H	WHITE
PIN 5	CAN_L	BLUE
PIN 1	DRAIN	BARE
PIN 3	V-	BLACK
PIN 2	V+	RED



CABLE CHARACTERISTIC	LENGTH "L"	TYPE	TABLE 2 TE PN
WIRES: 2X22AWG+2X24AWG +1X22 AWG DRAIN WIRE WIRE COLOR: WHITE/BLUE/RED/BLACK OD: APPROX. 6.9MM TEMPERATURE RATING: 80°C UL OPERATION TEMP RATING: -40°C T _o +80°C	STANDARD: -001: 0.5M -002: 1.0M -003: 1.5M -004: 3.0M -005: 5.0M -006: 7.0M -007: 10.0M CUSTOMIZATION: -99X: 0.XM (<1.0M) (-993: 0.3M) -XXX: XX.XM (>1.0M) (-155: 15.5M)	M12A5-MR-PUR-**4	TAA752A5501-XXX
WIRES: 2X22AWG+2X24AWG +1X22 AWG DRAIN WIRE WIRE COLOR: WHITE/BLUE/RED/BLACK OD: APPROX. 7.1MM TEMPERATURE RATING: 75°C UL OPERATION TEMP RATING: -10°C T _o +80°C	STANDARD: -001: 0.5M -002: 1.0M -003: 1.5M -004: 3.0M -005: 5.0M -006: 7.0M -007: 10.0M CUSTOMIZATION: -99X: 0.XM (<1.0M) (-993: 0.3M) -XXX: XX.XM (>1.0M) (-155: 15.5M)	M12A5-MR-PVC-**4	TAA752A1611-XXX

THIS DRAWING IS A CONTROLLED DOCUMENT.

DIMENSIONS: mm	TOLERANCES UNLESS OTHERWISE SPECIFIED:	DWN ALEX ZHANG 11APR2019	CHK HART HE 11APR2019	APVD CHRIS WANG 11APR2019
MATERIAL	FINISH	PRODUCT SPEC 108-106140	APPLICATION SPEC	NAME M12 A CODE CABLE ASSY, SHIELDED 5P, MR FREE END
CUSTOMER DRAWING		SIZE A2	CAGE CODE	DRAWING NO. C-TAA752AXXXXXXX
SCALE 2:1		SHEET 1 OF 1	REV A	RESTRICTED TO