

THIS DRAWING IS UNPUBLISHED. RELEASED FOR PUBLICATION 20  
 © COPYRIGHT 20 BY - ALL RIGHTS RESERVED.

ITEM	DESCRIPTION	MATERIAL	OTHERS
1	MALE CONTACT	COPPER ALLOY	GOLD PLATED
2	MALE HOUSING	NYLON	BLACK
3	MALE NUT	COPPER ALLOY	NICKEL PLATED
4	FEMALE CONTACT	COPPER ALLOY	GOLD PLATED
5	FEMALE HOUSING	NYLON	BLACK
6	FEMALE NUT	COPPER ALLOY	NICKEL PLATED
7	O-RING	SILICONE	GRAY
8	OVER-MOLDING	PVC/TPU	BLACK
9	SHIELDED SHELL	COPPER ALLOY	NICKEL PLATED
10	CABLE	PVC/PUR JACKET	GRAY/VIOLET
11	LABEL	-	-

REVISIONS				
P	LTR	DESCRIPTION	DATE	APVD
A		INITIAL RELEASE	29JUL2019	A.Z C.W

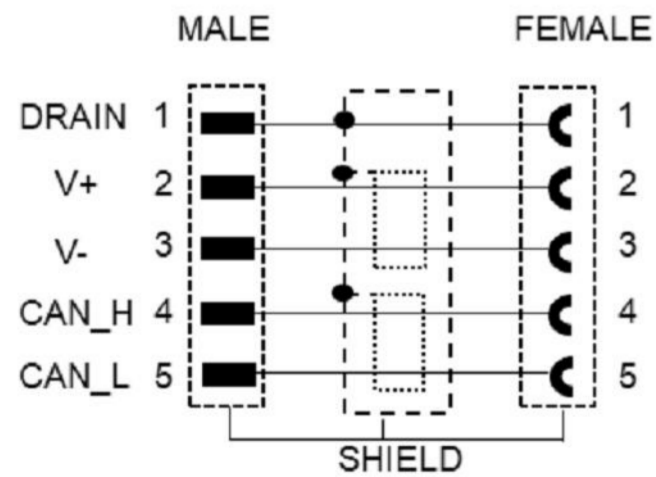
- NOTE:
- ①. TECHNICAL DATA SEE TABLE 1
  - ②. CODE POSITION INDICATOR
  - ③. RECOMMENDED TORQUE 0.6 Nm
  - ④. -\*\* : CABLE LENGTH, FOR EXAMPLE: -0.5M
  - ⑤. CABLE ASSEMBLY TO BE PACKAGED IN POLYBAGS
  - ⑥. LABEL CONTAINS: PN, DATE CODE...

- 注释:
- ①. 技术参数参考表 1
  - ②. CODE 位置指示
  - ③. 推荐扭矩 0.6 Nm
  - ④. -\*\* : 线缆长度, 例如: -0.5M
  - ⑤. 线缆组件塑料袋包装
  - ⑥. 标签包含: 产品编号, 日期代码...

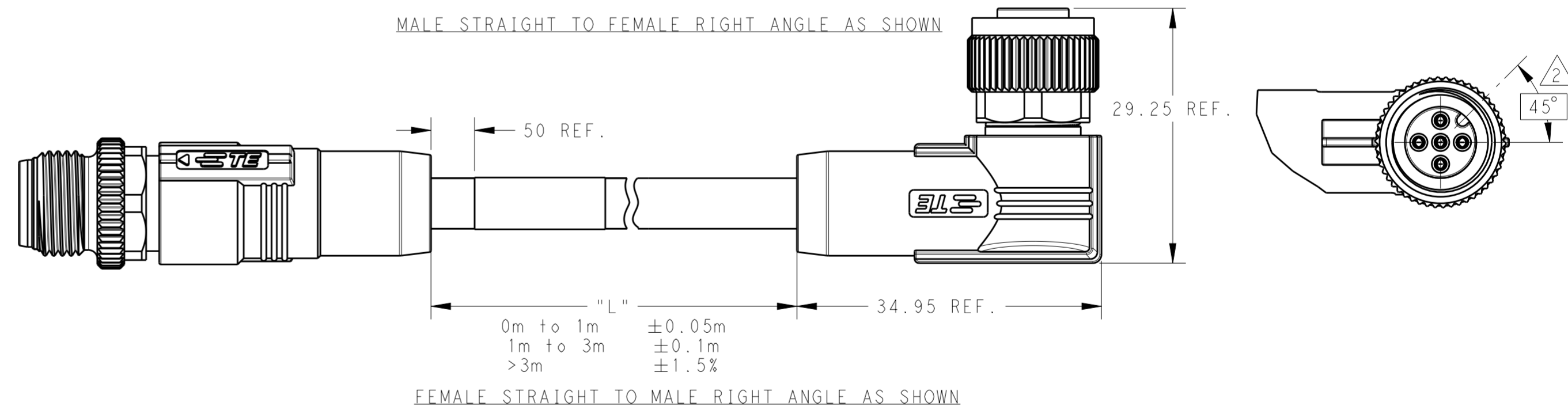
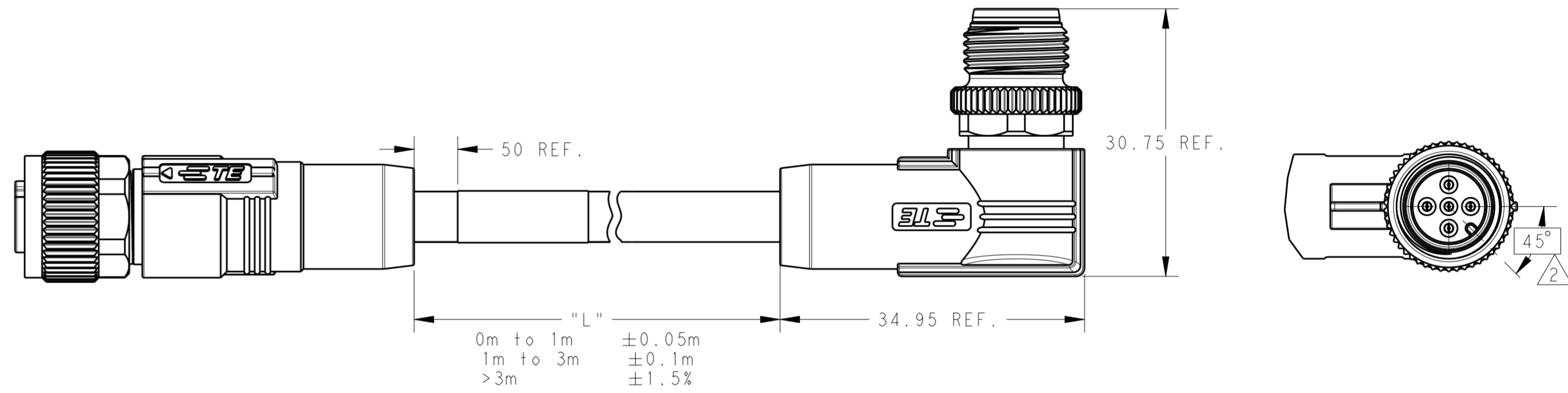
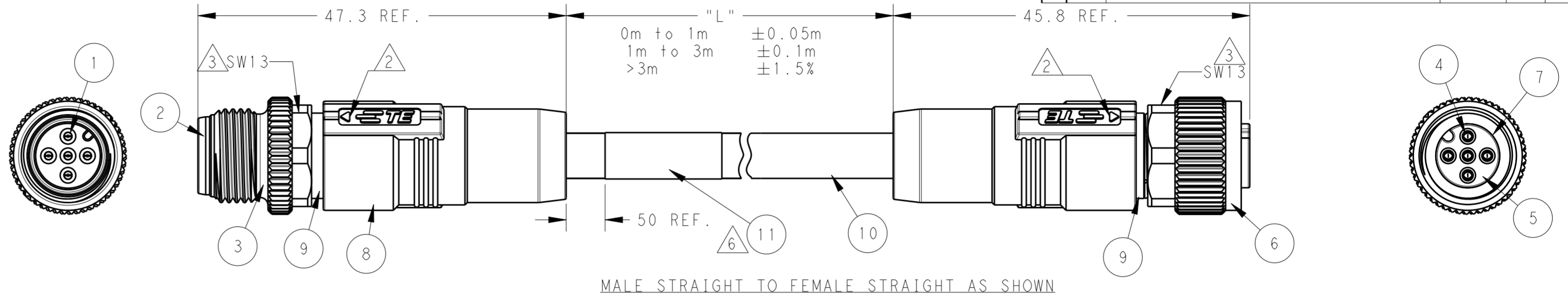
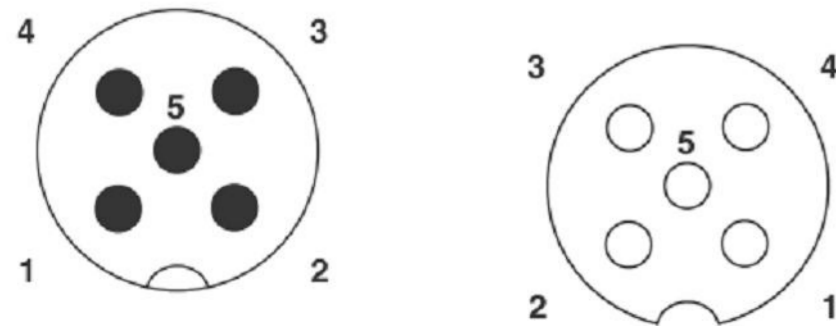
CIRCUIT DIAGRAM  
A-CODE

PIN 4 CAN\_H WHITE  
 PIN 5 CAN\_L BLUE  
 PIN 1 DRAIN BARE  
 PIN 3 V- BLACK  
 PIN 2 V+ RED

CIRCUIT DIAGRAM



MALE FEMALE

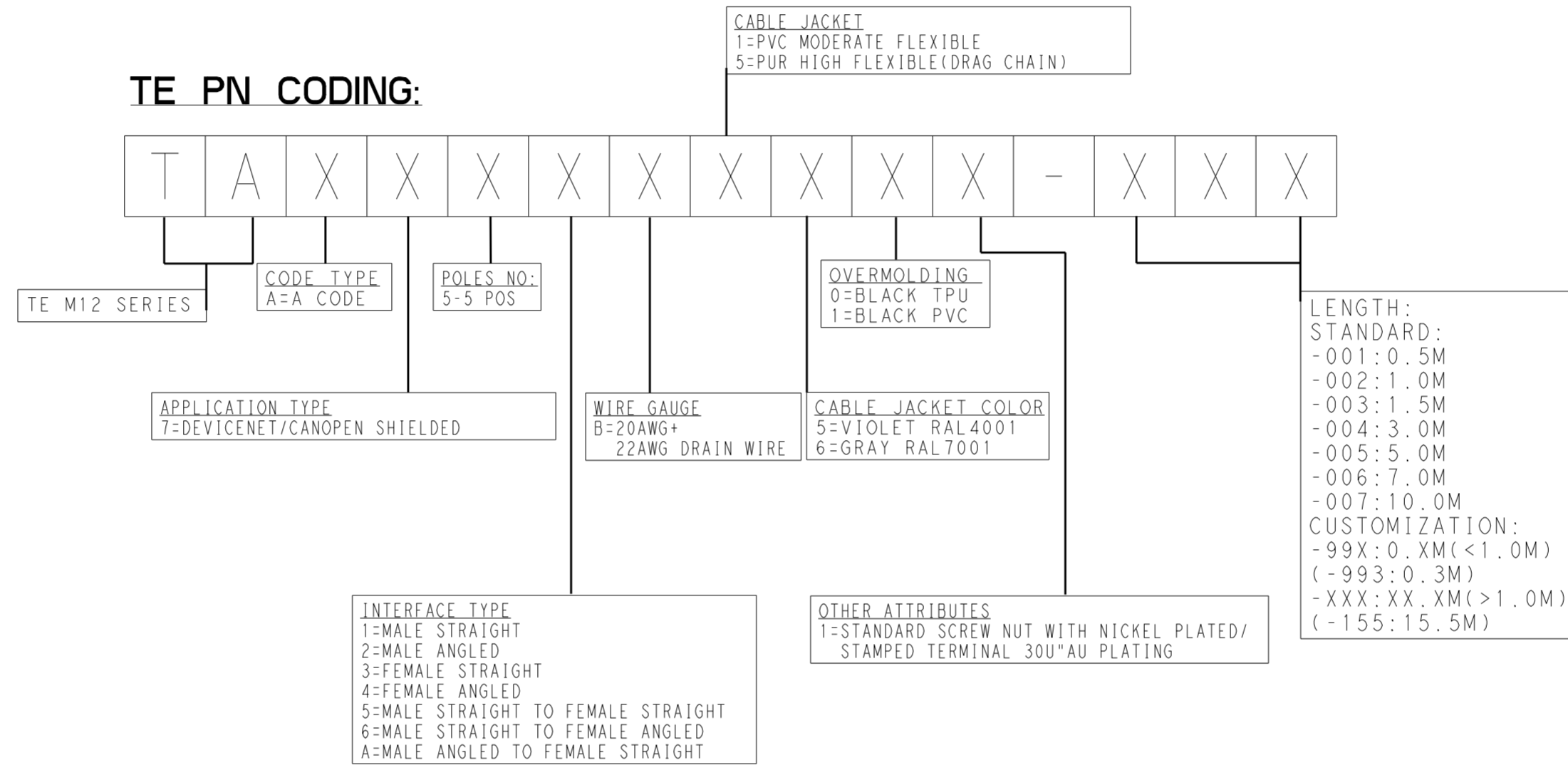


THIS DRAWING IS A CONTROLLED DOCUMENT.		DWN: 11APR2019 ALEX ZHANG	TE Connectivity
DIMENSIONS: mm		CHK: 11APR2019 HART HE	
TOLERANCES UNLESS OTHERWISE SPECIFIED:		APVD: 11APR2019 CHRIS WANG	NAME: M12 A CODE CABLE ASSY, SHIELDED 5P, MALE TO FEMALE
0 PLC ±		PRODUCT SPEC: 108-106140	SIZE: A2
1 PLC ±		APPLICATION SPEC: -	CAGE CODE: -
2 PLC ±		WEIGHT: -	DRAWING NO: C-TAA75XXXXXXX
3 PLC ±		CUSTOMER DRAWING	RESTRICTED TO: A
4 PLC ±		SCALE: 2:1	SHEET: 1 OF 2
ANGLES ±			REV: A
FINISH -			

THIS DRAWING IS UNPUBLISHED. RELEASED FOR PUBLICATION 20  
 © COPYRIGHT 20 BY - ALL RIGHTS RESERVED.

REVISIONS				
P	LTR	DESCRIPTION	DATE	APVD
-		SEE SHEET 1	-	-

**TE PN CODING:**



TECHNICAL DATA	
RATED VOLTAGE	60V
RATED IMPULSE VOLTAGE	1500V
RATED CURRENT	4A
POLLUTION DEGREE	3
OVERVOLTAGE CATEGORY	II
MATERIAL GROUP	II
DEGREE OF PROTECTION	IP67

WIRES: 2X22AWG+2X24AWG +1X22 AWG DRAIN WIRE WIRE COLOR: WHITE/BLUE/RED/BLACK OD: APPROX. 6.9MM TEMPERATURE RATING: 80°C UL OPERATION TEMP RATING: -40°C To +80°C	STANDARD: -001: 0.5M -002: 1.0M -003: 1.5M -004: 3.0M -005: 5.0M -006: 7.0M -007: 10.0M CUSTOMIZATION: -99X: 0.XM(<1.0M) (-993: 0.3M) -XXX: XX.XM(>1.0M) (-155: 15.5M)	VIOLET	PUR	M12A5-MR-FS-PUR-***	5	TAA75AA5501-XXX
WIRES: 2X22AWG+2X24AWG +1X22 AWG DRAIN WIRE WIRE COLOR: WHITE/BLUE/RED/BLACK OD: APPROX. 7.1MM TEMPERATURE RATING: 75°C UL OPERATION TEMP RATING: -10°C To +80°C		GRAY	PVC	M12A5-MR-FS-PVC-***		TAA75AA1611-XXX
				M12A5-MS-FR-PVC-***		TAA756A1611-XXX
				M12A5-MS-FS-PVC-***		TAA755A1611-XXX
CABLE CHARACTERISTIC	LENGTH "L"	JACKET COLOR	JACKET MATERIAL	TYPE	POS.	TE PN

THIS DRAWING IS A CONTROLLED DOCUMENT.

DWN: ALEX ZHANG 11APR2019  
 CHK: HART HE 11APR2019  
 APVD: CHRIS WANG 11APR2019

**STE** TE Connectivity

NAME: M12 A CODE CABLE ASSY, SHIELDED 5P, MALE TO FEMALE

PRODUCT SPEC: 108-106140

APPLICATION SPEC: -

SIZE: A2 CAGE CODE: - DRAWING NO: C-TAA75AXXXXXXX

RESTRICTED TO: -

WEIGHT: -

CUSTOMER DRAWING SCALE: 1:1 SHEET: 2 OF 2 REV: A