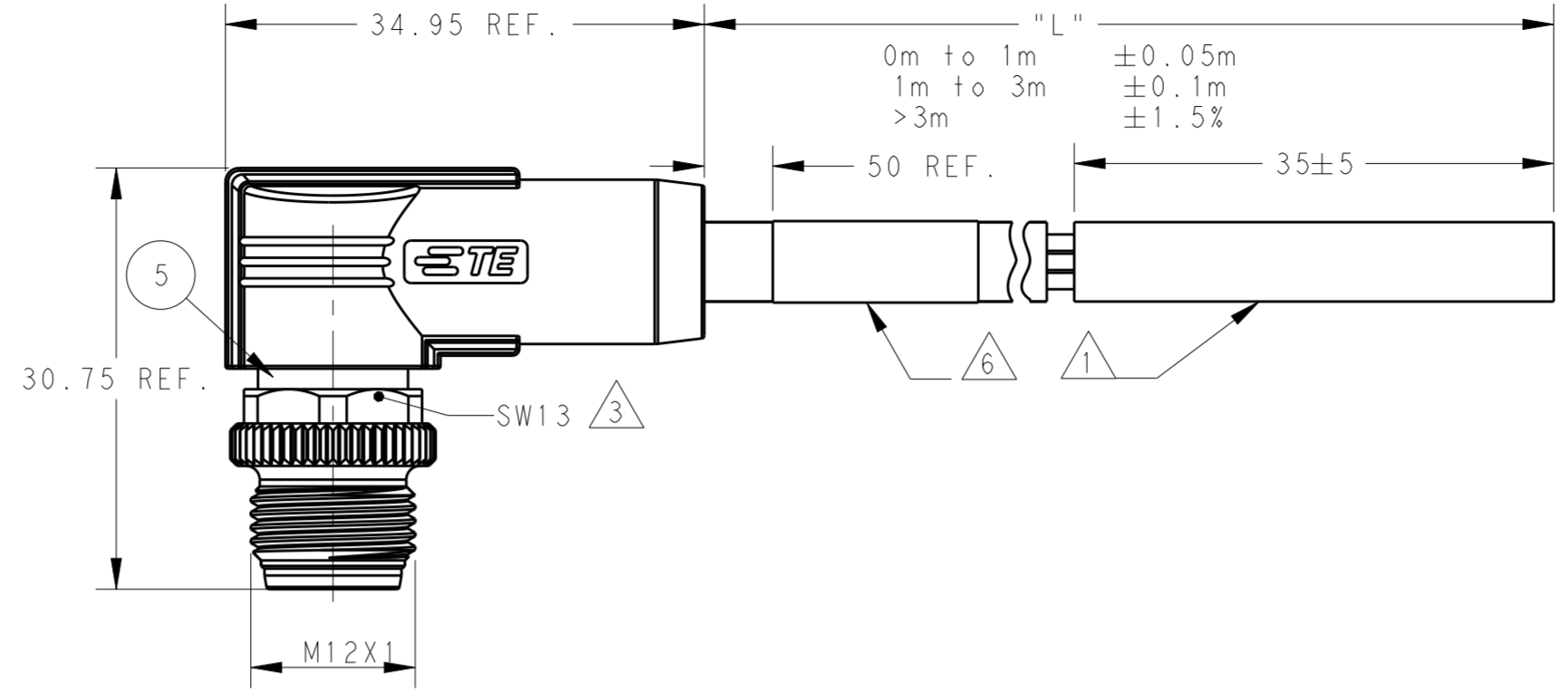
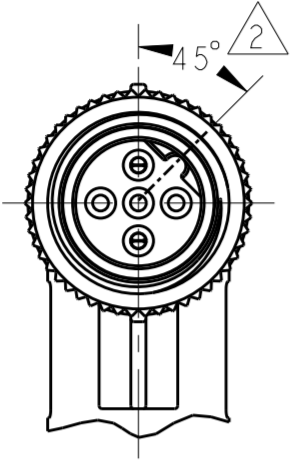


THIS DRAWING IS UNPUBLISHED. RELEASED FOR PUBLICATION 20  
 © COPYRIGHT 20 BY - ALL RIGHTS RESERVED.

ITEM	DESCRIPTION	MATERIAL	OTHERS
1	MALE CONTACT	COPPER ALLOY	GOLD PLATED
2	HOUSING	NYLON	BLACK
3	COUPLING NUT	COPPER ALLOY	NICKEL PLATED
4	OVER-MOLDING	TPU	BLACK
5	SHIELDED SHELL	COPPER ALLOY	NICKEL PLATED
6	CABLE	PUR	VIOLET
7	LABEL	-	-

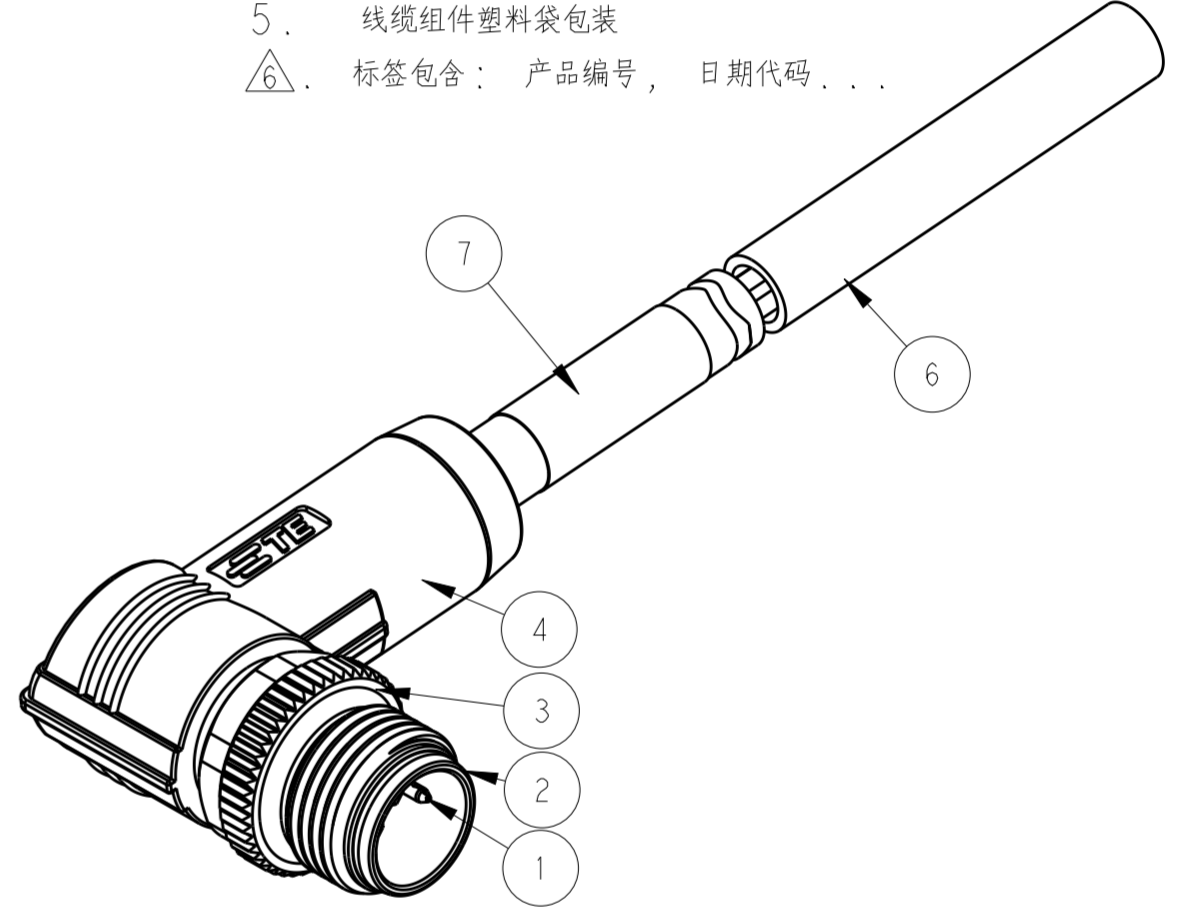
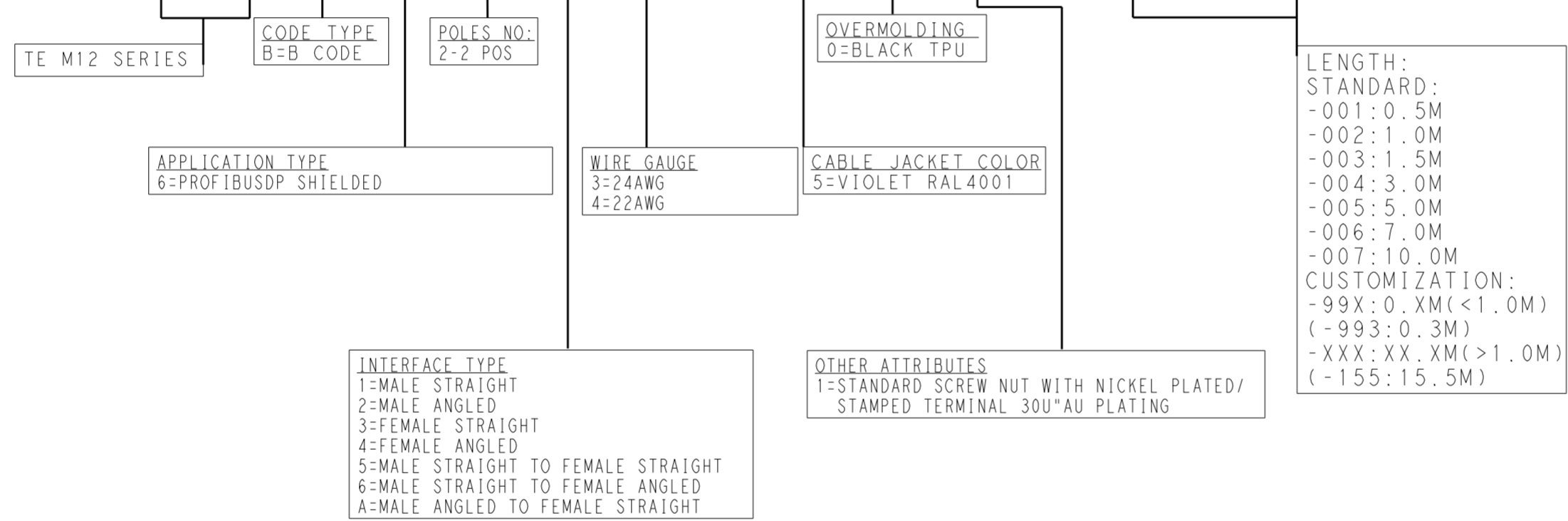
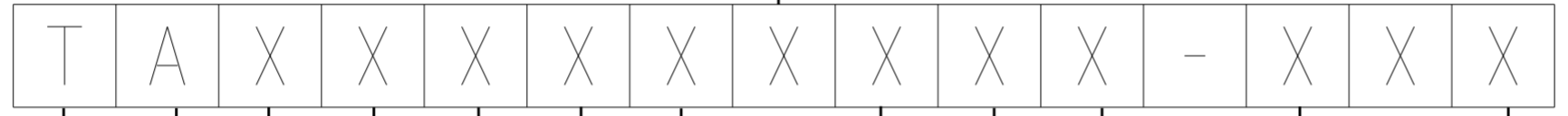


REVISIONS				
P	LTR	DESCRIPTION	DATE	APVD
	A	INITIAL RELEASE	01AUG2019	A.Z C.W

NOTE:  
 1. STRIP AND RETAIN THE INSULATION  
 2. CODE POSITION INDICATOR  
 3. RECOMMENDED TORQUE 0.6 Nm  
 4. -\*:CABLE LENGTH, FOR EXAMPLE: -0.5M  
 5. CABLE ASSEMBLY TO BE PACKAGED IN POLYBAGS  
 6. LABEL CONTAINS: PN, DATE CODE...

注释:  
 1. 剥线并保留护套绝缘层  
 2. CODE位置指示  
 3. 推荐扭矩0.6 Nm  
 4. -\*:线缆长度,例如:-0.5M  
 5. 线缆组件塑料袋包装  
 6. 标签包含: 产品编号, 日期代码...

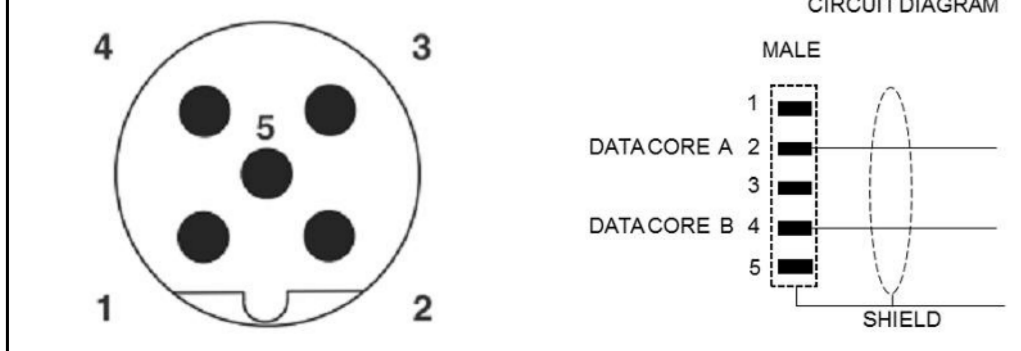
TE PN CODING:



TECHNICAL DATA	
RATED VOLTAGE	250V
RATED IMPULSE VOLTAGE	2500V
RATED CURRENT	4A
POLLUTION DEGREE	3
OVERVOLTAGE CATEGORY	II
MATERIAL GROUP	II
DEGREE OF PROTECTION	IP67

PIN ARRANGEMENT B-CODE	
PIN 2 DATE CORE A	GREEN
PIN 4 DATE CORE B	RED

WIRES:22AWG	WIRES:24AWG	STANDARD:	JACKET COLOR	JACKET MATERIAL	TYPE	POS.	TE PN
WIRE COLOR: RED AND GREEN OD: APPROX.8.0MM TEMPERATURE RATING:80°C UL OPERATION TEMP RATING:-25°C To +75°C APPLICATIONS:FLEXIBLE,SUITABLE FOR ±180° TORSION APPLICATION	WIRE COLOR: RED AND GREEN OD: APPROX.7.8MM TEMPERATURE RATING:80°C UL OPERATION TEMP RATING:-40°C To +80°C APPLICATIONS:FLEXIBLE, SUITABLE FOR DRAG CHAIN	-001:0.5M -002:1.0M -003:1.5M -004:3.0M -005:5.0M -006:7.0M -007:10.0M CUSTOMIZATION: -99X:0.XM(<1.0M) (-993:0.3M) -XXX:XX.XM(>1.0M) (-155:15.5M)	VIOLET	PUR	M12B2-MR-PUR TORSION-**4	2	TAB62246501-XXX
					M12B2-MR-PUR-**4		TAB62235501-XXX



THIS DRAWING IS A CONTROLLED DOCUMENT.

DIMENSIONS: mm	TOLERANCES UNLESS OTHERWISE SPECIFIED:	DWN: ALEX ZHANG 11APR2019	CHK: HART HE 11APR2019	APVD: CHRIS WANG 11APR2019	NAME: M12 B CODE CABLE ASSY, SHIELDED 2P, MR FREE END
		PRODUCT SPEC: 108-106140	APPLICATION SPEC: -	SIZE: A2	CAGE CODE: -
MATERIAL: -	FINISH: -	WEIGHT: -	CUSTOMER DRAWING	SCALE: 2:1	SHEET: 1 OF 1

RESTRICTED TO: A