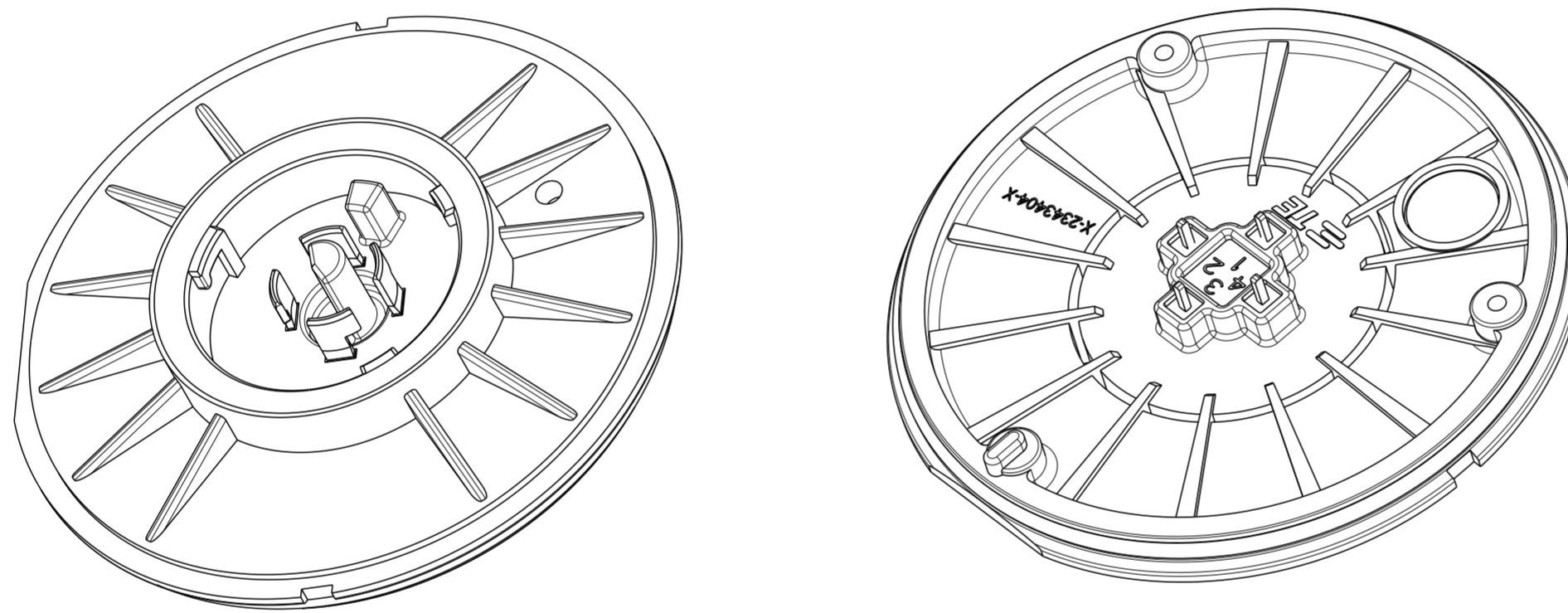


THIS DRAWING IS UNPUBLISHED. RELEASED FOR PUBLICATION 20
 © COPYRIGHT 20 BY - ALL RIGHTS RESERVED.

REVISIONS				
P	LTR	DESCRIPTION	DATE	APVD
3		REVISED KEYING VIEWS	15JAN2019	JS EH
4		REMOVE 1-2,1-3,2-2,2-3	19FEB2019	JS EH
A		REVISED PER ECR-19-010853	16JUL2019	SR DD
A1		REVISED PER ECR-19-017457	12NOV2019	SB DD

NOTES:

- 1 MATERIALS AND FINISH:
 -MODULE HOUSING: PBT, COLOR: GREY
 -CONTACTS: BRASS, FINISH: Sn
 -O-RING: SILICON RUBBER
- 2. MUST COMPLY WITH DIRECTIVE 2002/95/EC (ROHS)
- 3 LOCATION OF FLAT ON RECEPTACLE (TE P/N 2213858-1)
 THREAD SECTION IN FULL MATED POSITION
- 4. COMPATIBLE DOME IS 2328823-X.
- 5. MATES WITH RECEPTACLE ASSEMBLIES 2343403-1 OR 1-2343403-1.



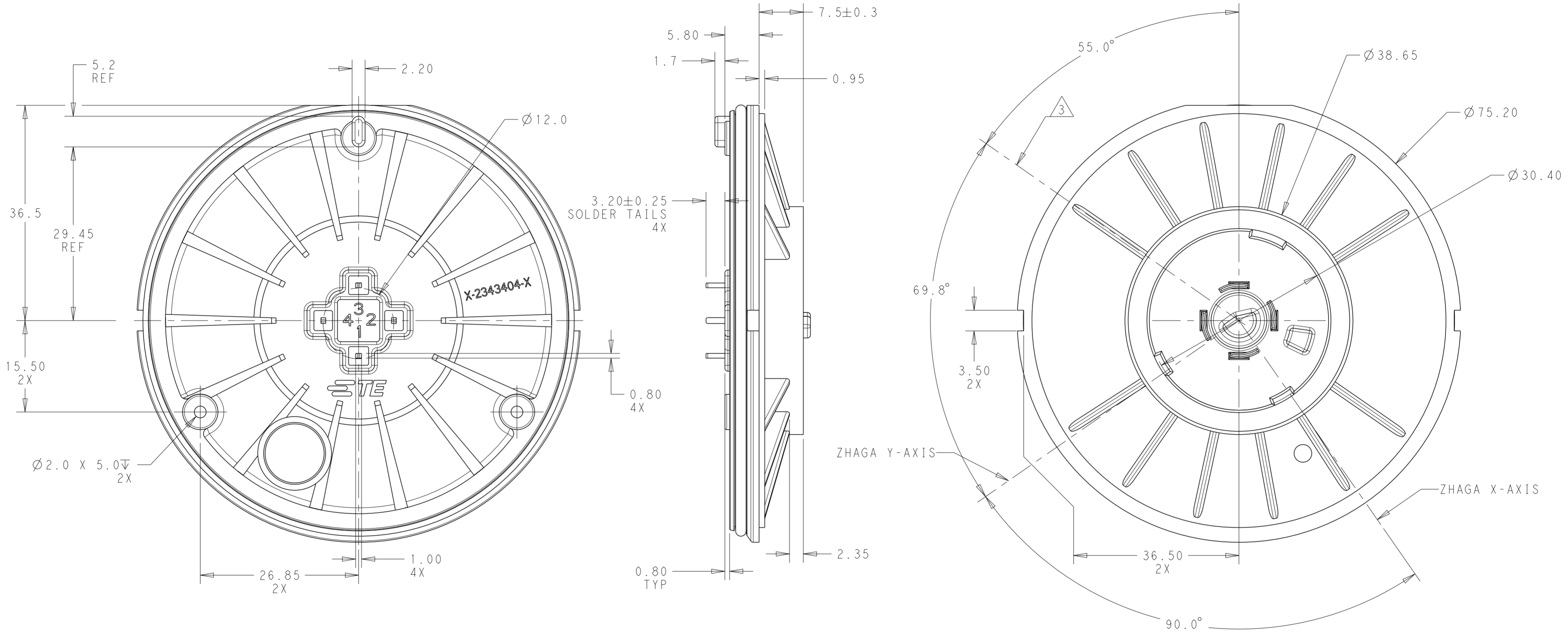
SCALE 3:2

MODULE BASE ASSY,CLOSED VENT,KEY A	2-2343404-1
MODULE BASE ASSY,VENT,KEY A	1-2343404-1
DESCRIPTION AND KEYING	PART NO.

THIS DRAWING IS A CONTROLLED DOCUMENT.		DWN C DAILY 03OCT2018	STE TE Connectivity	
		CHK E HOWARD 03OCT2018		
DIMENSIONS: mm	TOLERANCES UNLESS OTHERWISE SPECIFIED:	APVD -	NAME MODULE BASE ASSEMBLY, LUMAWISE ENDURANCE S 80mm DIAMETER,KEYED	
	0 PLC ± 1 PLC ±0.2 2 PLC ±0.15 3 PLC ± 4 PLC ± ANGLES ±1	PRODUCT SPEC 108-133073	SIZE A2	CAGE CODE -
MATERIAL -	FINISH -	APPLICATION SPEC 114-133074	DRAWING NO G-2343404	RESTRICTED TO -
SEE NOTES		WEIGHT -	CUSTOMER DRAWING	
		SCALE 1:1	SHEET 1 OF 4	REV A1

THIS DRAWING IS UNPUBLISHED. RELEASED FOR PUBLICATION 20
 © COPYRIGHT 20 BY - ALL RIGHTS RESERVED.

REVISIONS				
P	LTR	DESCRIPTION	DATE	APVD
-	-	SEE SHEET 1	-	-

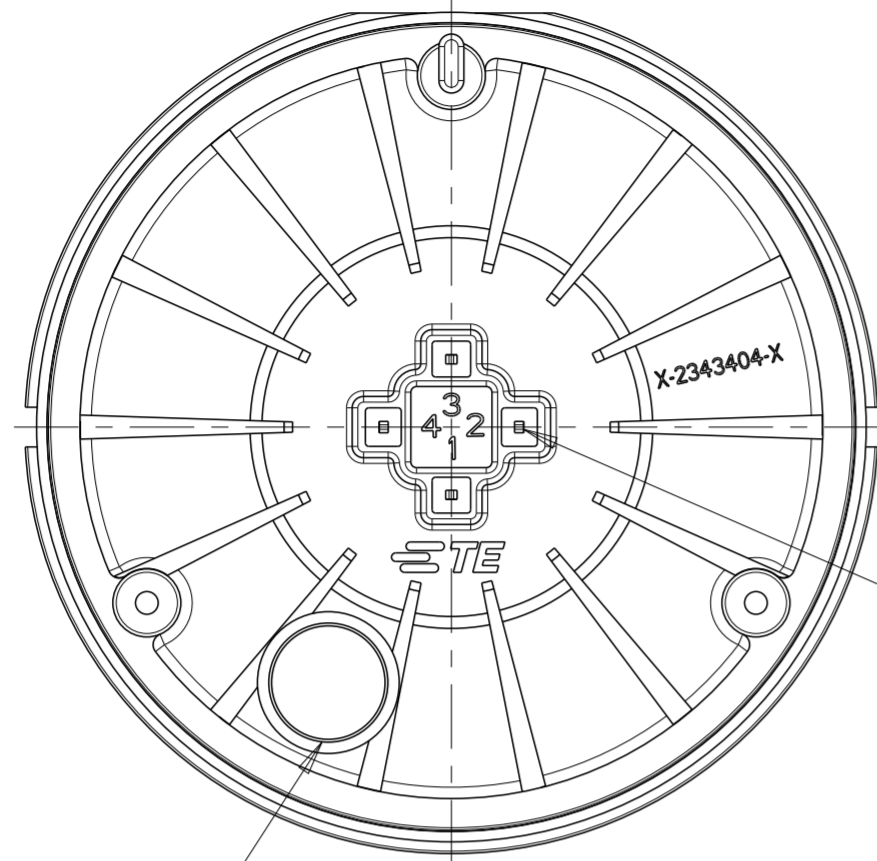


1-2343404-1 SHOWN

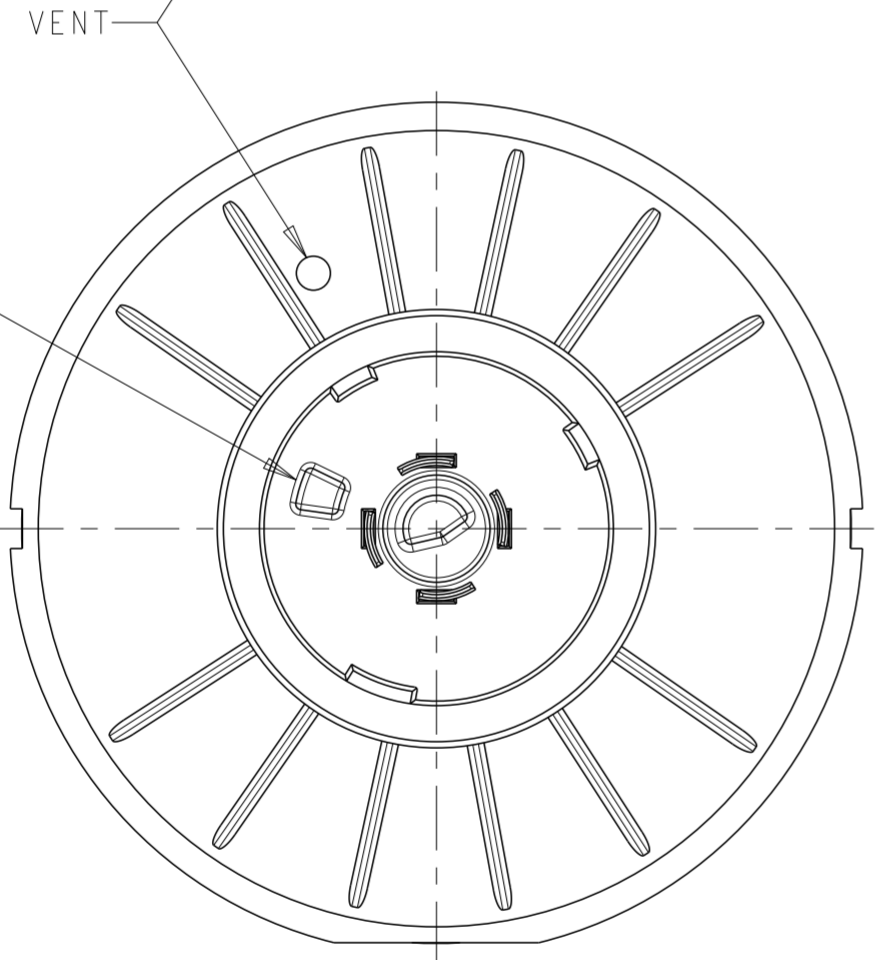
THIS DRAWING IS A CONTROLLED DOCUMENT.		DWN C. DAILY 03OCT2018	STE TE Connectivity	
		CHK E. HOWARD 03OCT2018		
DIMENSIONS:	TOLERANCES UNLESS OTHERWISE SPECIFIED:	APVD -	NAME MODULE BASE ASSEMBLY, LUMAWISE ENDURANCE S 80mm DIAMETER, KEYED	
mm	0 PLC ± 1 PLC ±0.2 2 PLC ±0.15 3 PLC ± 4 PLC ±	PRODUCT SPEC 108-133073	SIZE A2	CAGE CODE -
	ANGLES ±1 FINISH -	APPLICATION SPEC 114-133074	DRAWING NO G-2343404	RESTRICTED TO -
MATERIAL - SEE NOTES		WEIGHT -	SCALE 1:1	SHEET 2 OF 4
		CUSTOMER DRAWING		REV A1

THIS DRAWING IS UNPUBLISHED. RELEASED FOR PUBLICATION 20
 © COPYRIGHT 20 BY - ALL RIGHTS RESERVED.

REVISIONS				
P	LTR	DESCRIPTION	DATE	APVD
-		SEE SHEET 1	-	-

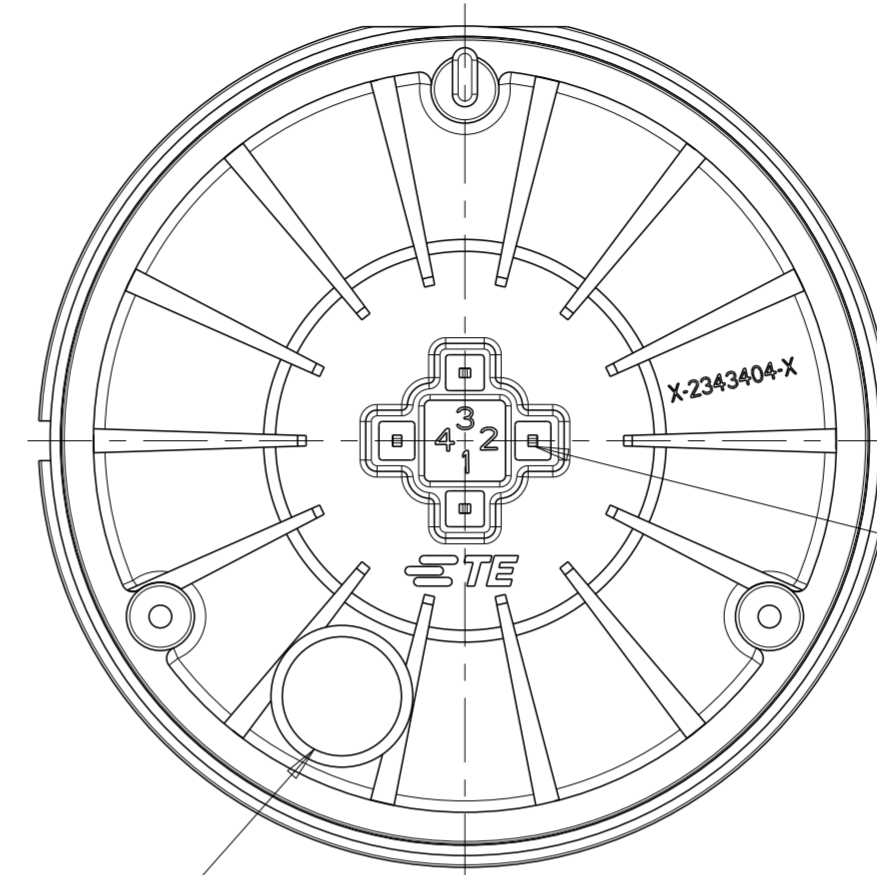


CONTACT SOLDER
TAILS SEALED
4X



NOTE: KEY

1-2343404-1 SHOWN



CONTACT SOLDER
TAILS SEALED
4X

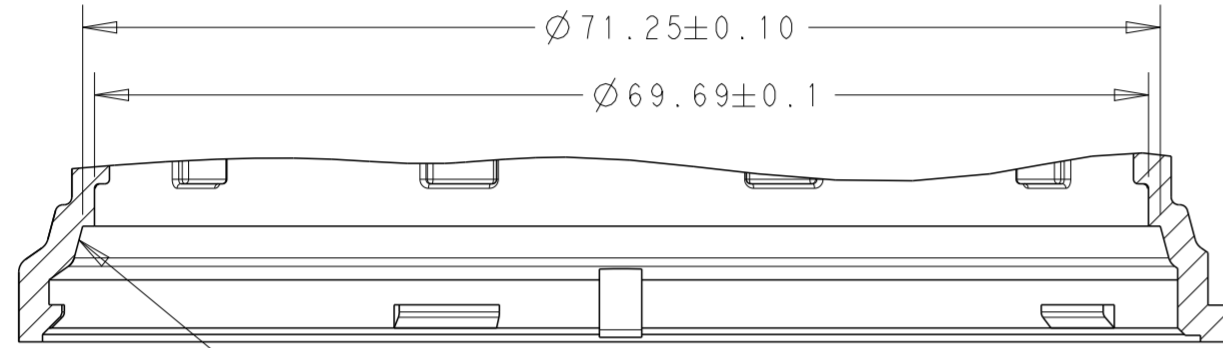
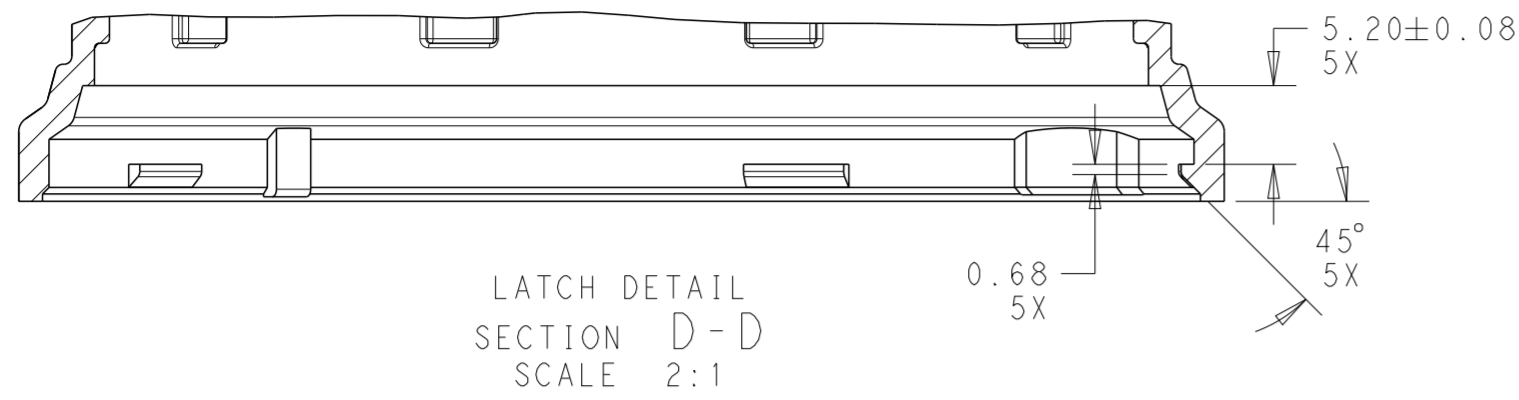
VENT HOLE
BLOCKED

NOTE: KEY

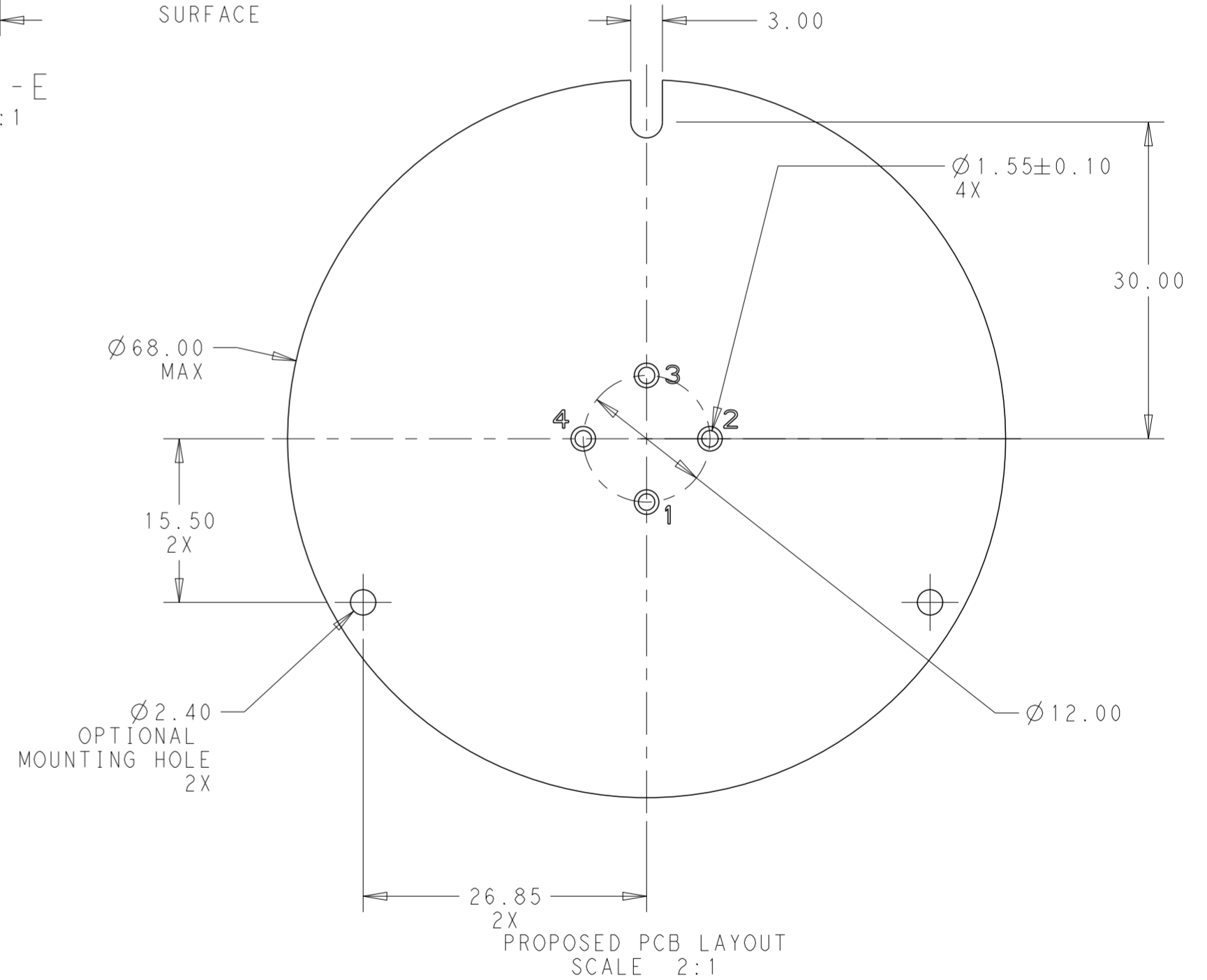
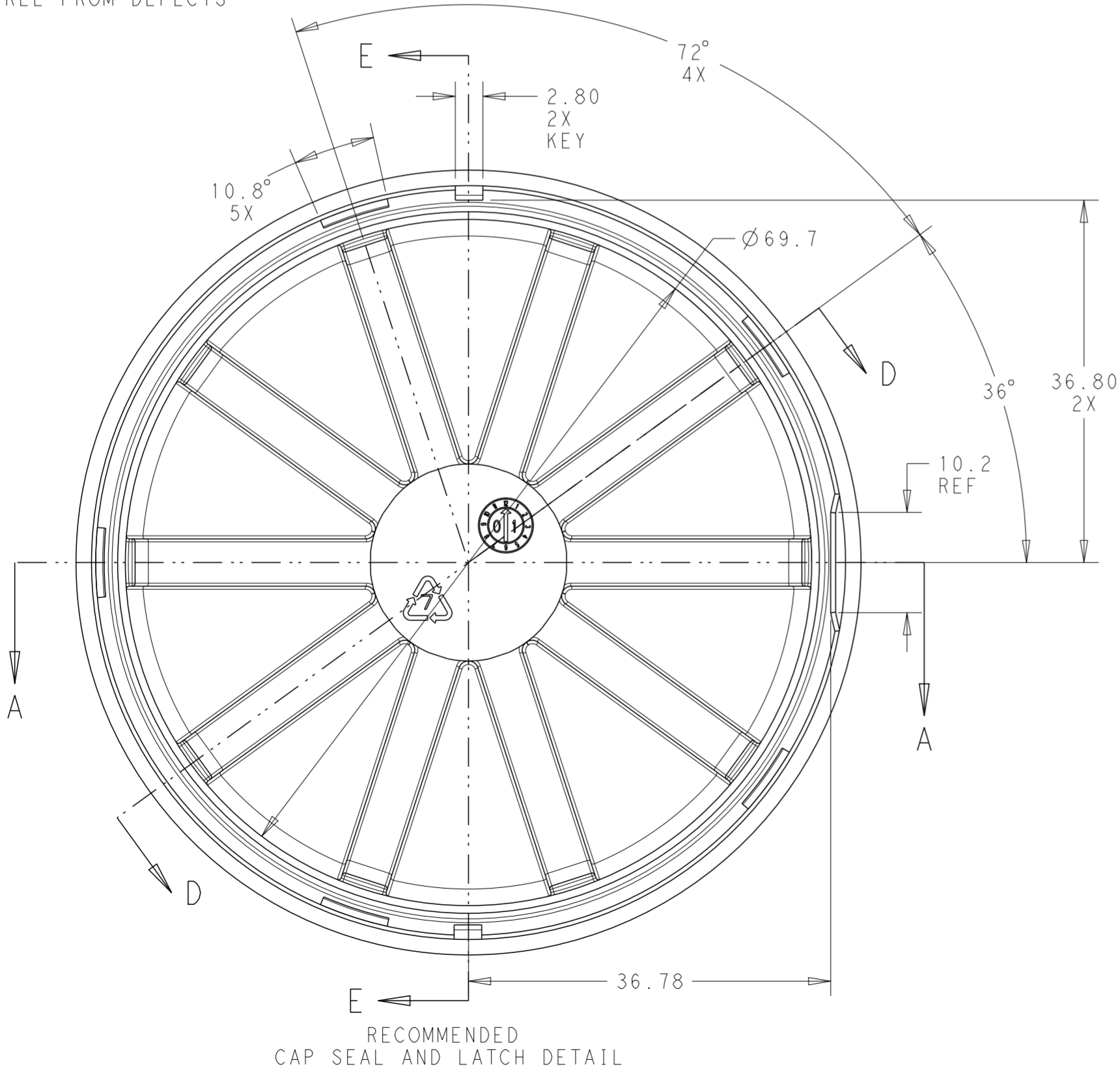
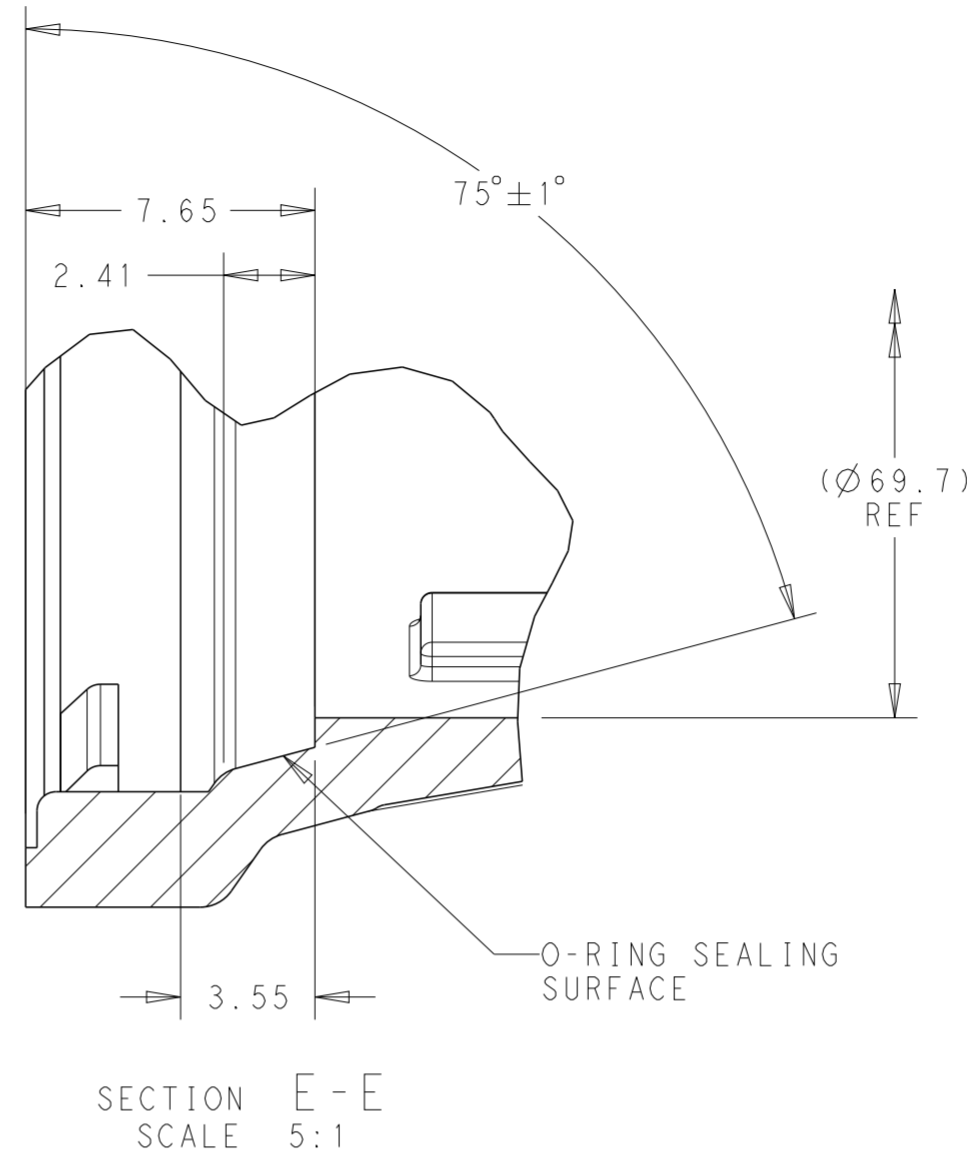
2-2343404-1 SHOWN

THIS DRAWING IS A CONTROLLED DOCUMENT.		DWN C. DAILY 03OCT2018	STC TE Connectivity															
		CHK E. HOWARD 03OCT2018																
DIMENSIONS: mm		TOLERANCES UNLESS OTHERWISE SPECIFIED:		APVD -														
<table border="0"> <tr><td>0 PLC</td><td>±</td></tr> <tr><td>1 PLC</td><td>±0.2</td></tr> <tr><td>2 PLC</td><td>±0.15</td></tr> <tr><td>3 PLC</td><td>±</td></tr> <tr><td>4 PLC</td><td>±</td></tr> <tr><td>ANGLES</td><td>±1</td></tr> <tr><td>FINISH</td><td>-</td></tr> </table>		0 PLC	±	1 PLC	±0.2	2 PLC	±0.15	3 PLC	±	4 PLC	±	ANGLES	±1	FINISH	-	PRODUCT SPEC 108-133073	NAME MODULE BASE ASSEMBLY, LUMAWISE ENDURANCE S 80mm DIAMETER, KEYED	
0 PLC	±																	
1 PLC	±0.2																	
2 PLC	±0.15																	
3 PLC	±																	
4 PLC	±																	
ANGLES	±1																	
FINISH	-																	
MATERIAL -		APPLICATION SPEC 114-133074	SIZE A2	CAGE CODE -														
SEE NOTES		WEIGHT -	DRAWING NO G-2343404	RESTRICTED TO -														
		CUSTOMER DRAWING	SCALE 1:1	SHEET 3 OF 4														
				REV A1														

REVISIONS				
P	LTR	DESCRIPTION	DATE	APVD
-	-	SEE SHEET 1	-	-



O-RING SEALING SURFACE;
MUST BE SMOOTH AND
FREE FROM DEFECTS



THIS DRAWING IS A CONTROLLED DOCUMENT.		DWN C. DAILY 03OCT2018	TE Connectivity	
		CHK E. HOWARD 03OCT2018		
DIMENSIONS: mm	TOLERANCES UNLESS OTHERWISE SPECIFIED:	APVD -	PRODUCT SPEC 108-133073	NAME MODULE BASE ASSEMBLY, LUMAWISE ENDURANCE S 80mm DIAMETER, KEYED
	0 PLC ± 1 PLC ±0.2 2 PLC ±0.15 3 PLC ± 4 PLC ±	APPLICATION SPEC 114-133074	SIZE A2	CAGE CODE -
MATERIAL -	FINISH -	WEIGHT -	DRAWING NO C-2343404	RESTRICTED TO -
SEE NOTES		CUSTOMER DRAWING	SCALE 1:1	SHEET 4 OF 4 REV A1