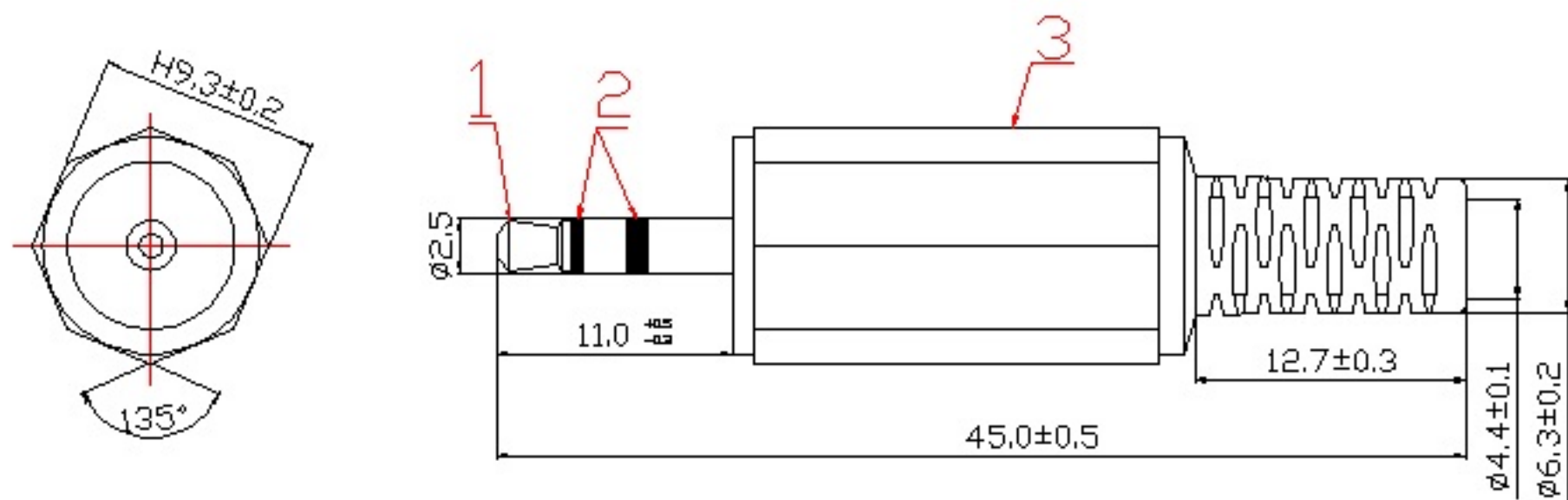


TW



7		
6		
5		
4		
3	PLASTIC HANDLE	ABS

2	DIELECTRIC	POM
1	FRONT POINT	Cu
ITEM	DESIGNATION	MATERIAL

TOLERANCE	SIGNATURES	DATE
0 - 10 ±0.00	DRAFT: Liang guo yao	07.09.18
10 - 100 ±0.05	CHECKED:	
100 - 1000 ±0.10		
1000 - 9999 ±0.15		
10000 - 99999 ±0.20		

今入企业股份有限公司	
JIN RUH CO., LTD	

REV	PART NO. & SAMPLE NO.	DATE	BY
A	JR-1018S		
B			

APPROVAL:			
SHEET	SCALE	UNIT	REV
OF	1:1	MM	0

TITLE	2.5mm Stereo Plug Bakelite Handle
CUSTOMER	