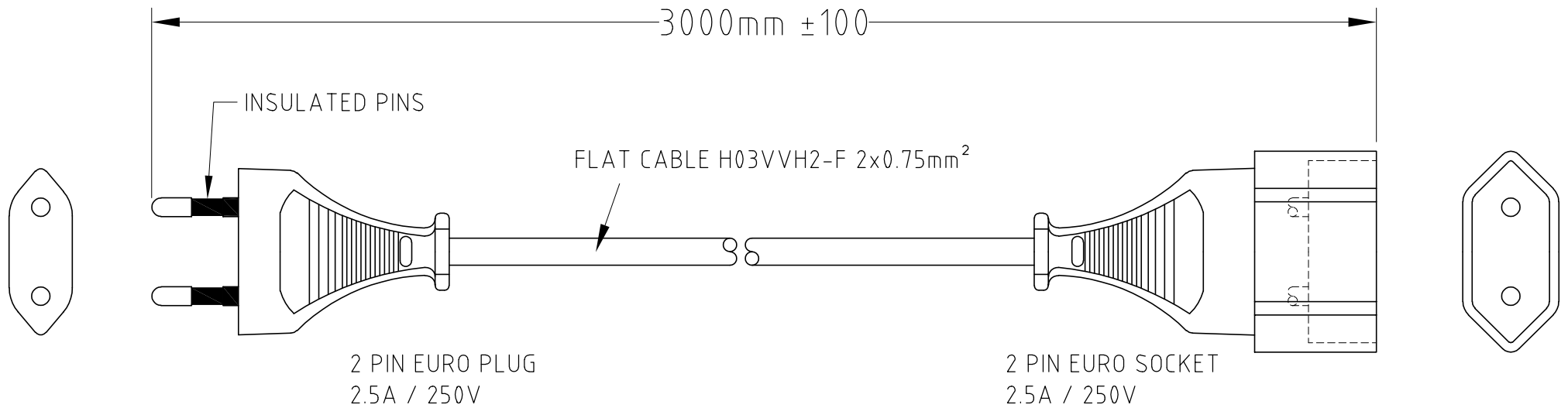


ISS.	AMEND	DATE
1	ISSUED	31/01/20



NOTES:

1. PLUG AND CABLE COLOUR BLACK.
2. RATED: 2.5A 250V
3. SUPPLIED INDIVIDUALLY HANKED.

RoHS
 **COMPLIANT**

TOLERANCE
 NO DEC. PLACE ±
 1 DEC. PLACE ±
 2 DEC. PLACE ±
 HOLE Ø ±
 ANGLES ±
 UNLESS OTHERWISE STATED

DO NOT SCALE

Cliff Electronic Components Ltd.

76 Holmethorpe Avenue, Holmethorpe Industrial Estate,
 Redhill, Surrey, RH1 2PF, England, UK
 Tel: 01737-771375 Fax: 01737-766012 Website: www.cliffuk.co.uk

DIMENSIONS IN MILLIMETERS UNLESS OTHERWISE STATED. WORK TO DIMENSIONS. REMOVE ALL BURRS. IF IN DOUBT ASK.

3rd ANGLE PROJECTION: 

MATERIAL: COMPOSITE

FINISH: CLEAN - BLACK

DRAWN: T.J.O.

APPROVED: D.P.J.

TITLE: 2 PIN EURO EXTENSION 3m BLACK

DRWG. No. **FCR72045**

FORM: A4DRWGH