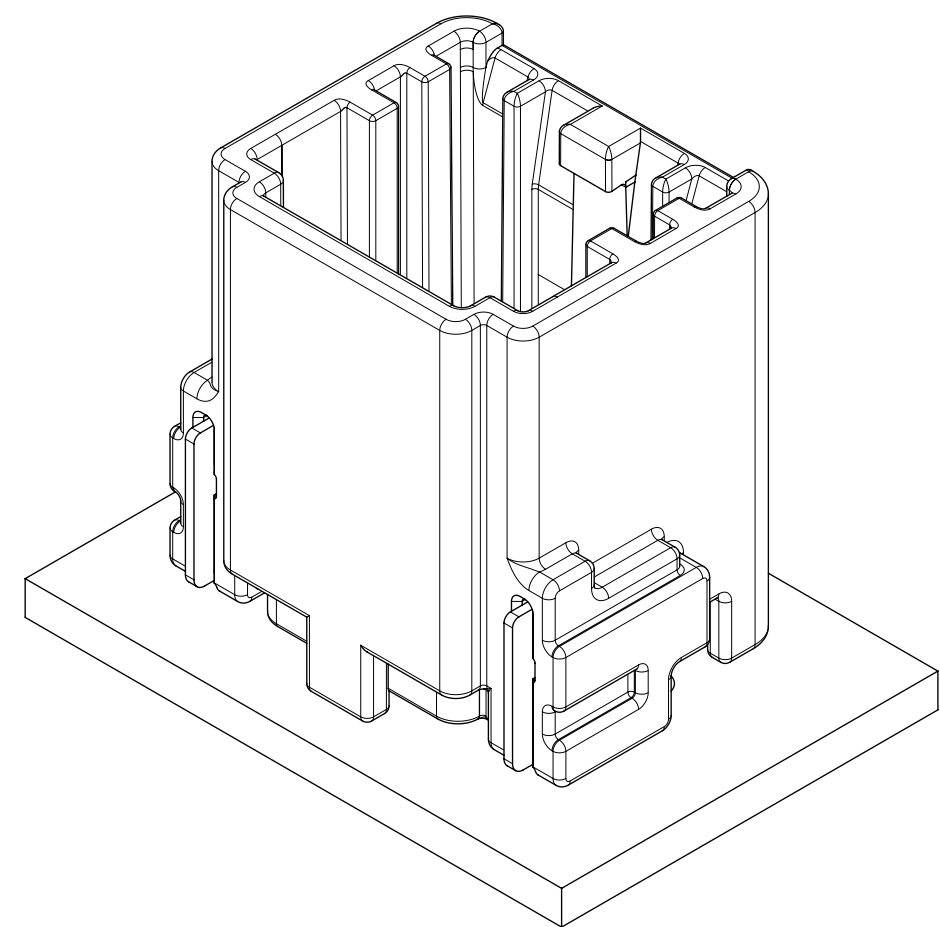


TABLE OF CONTENTS	
SHEET NO.	SHEET DESCRIPTION
1	NOTES, BOM & EXPLODED VIEWS
2	CONFIGURATIONS
3	CONNECTOR & PCB INTERFACE
4	RECOMMENDED PCB LAYOUT (4 SHIELD TAB VERSION)
5	RECOMMENDED PCB LAYOUT (2 SHIELD TAB VERSION)

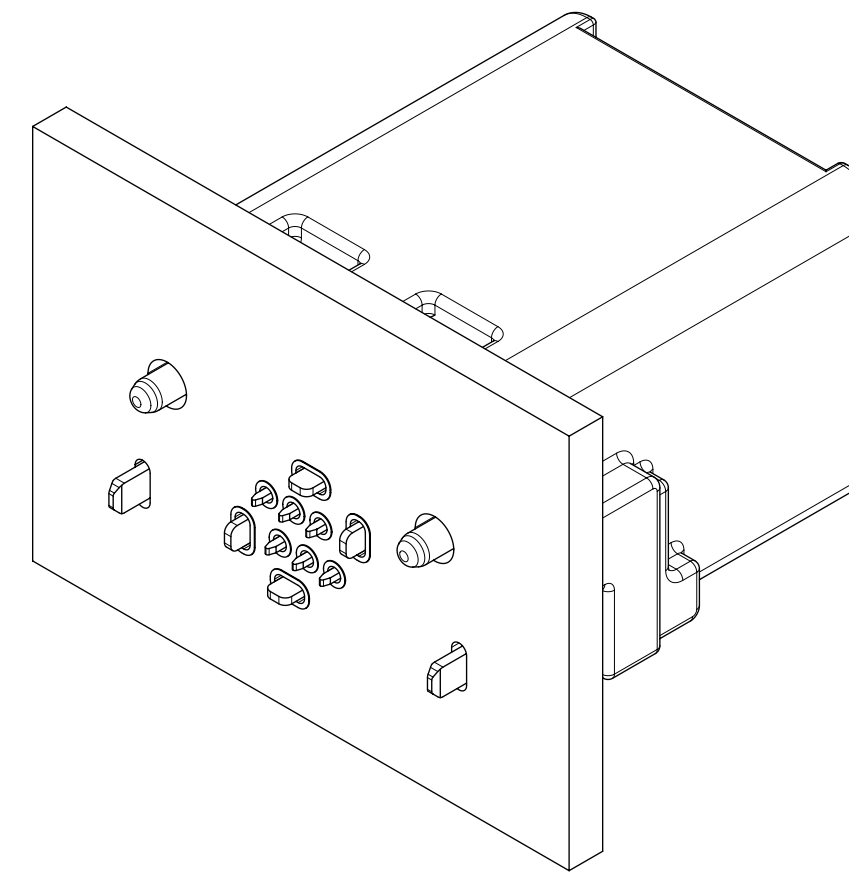
DESCRIPTION	MATERIAL NUMBER	CIRCUIT SIZE	COLOR	SHIELD TABS	STATUS
6 CKT UNSEALED VERTICAL HEADER ASSEMBLY - KEY A	1600641103	2X3	BLACK	4	SALEABLE
6 CKT UNSEALED VERTICAL HEADER ASSEMBLY - KEY B	1600641113	2X3	GREY	4	SALEABLE
6 CKT UNSEALED VERTICAL HEADER ASSEMBLY - KEY C	1600641123	2X3	DARK GREY	4	SALEABLE
6 CKT UNSEALED VERTICAL HEADER ASSEMBLY - KEY D	1600641133	2X3	GREEN	4	SALEABLE
6 CKT UNSEALED VERTICAL HEADER ASSEMBLY - KEY E	1600641143	2X3	BLUE	4	SALEABLE
6 CKT UNSEALED VERTICAL HEADER ASSEMBLY - KEY F	1600641153	2X3	NATURAL	4	SALEABLE
6 CKT UNSEALED VERTICAL HEADER ASSEMBLY - KEY A W/ 2 SHIELD TABS	1600641303	2X3	BLACK	2	OK TO TOOL
6 CKT UNSEALED VERTICAL HEADER ASSEMBLY - KEY B W/ 2 SHIELD TABS	1600641313	2X3	GREY	2	OK TO TOOL
6 CKT UNSEALED VERTICAL HEADER ASSEMBLY - KEY C W/ 2 SHIELD TABS	1600641323	2X3	DARK GREY	2	OK TO TOOL
6 CKT UNSEALED VERTICAL HEADER ASSEMBLY - KEY D W/ 2 SHIELD TABS	1600641333	2X3	GREEN	2	OK TO TOOL
6 CKT UNSEALED VERTICAL HEADER ASSEMBLY - KEY E W/ 2 SHIELD TABS	1600641343	2X3	BLUE	2	OK TO TOOL
6 CKT UNSEALED VERTICAL HEADER ASSEMBLY - KEY F W/ 2 SHIELD TABS	1600641353	2X3	NATURAL	2	OK TO TOOL
6 CKT UNSEALED VERTICAL HEADER ASSEMBLY - KEY A W/ 2 SHIELD TABS & SHORT TAILS	1600641403	2X3	BLACK	2	SALEABLE

NOTES:

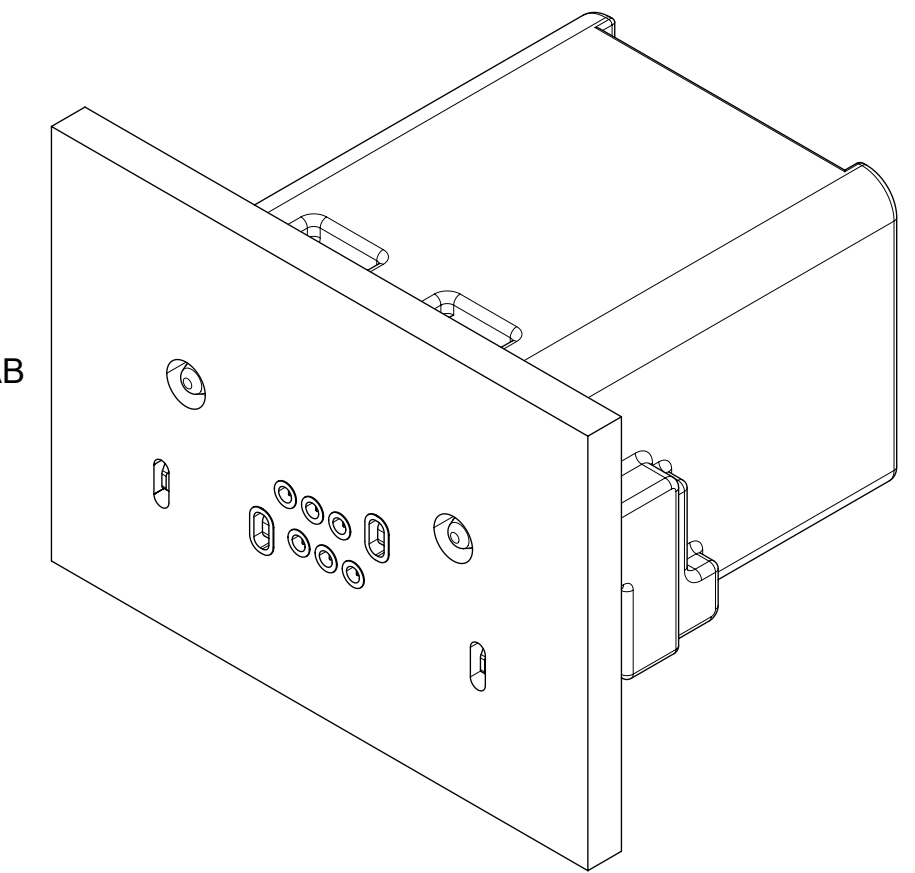
1. GENERAL:
 - a. APPLICATION SPECIFICATION SEE: TBD
 - b. PRODUCT SPECIFICATION SEE: TBD
 - c. PACKAGING SPECIFICATION PER MOLEX DRAWING: PK-31302-336
 - d. PARTS MUST BE IN COMPLIANCE TO MOLEX CHEMICAL SUBSTANCES FOR PRODUCTS AND PACKAGING SPECIFICATION: QEHS-699000-300
 - e. DATA MUST BE SUBMITTED UNDER THE MOLEX PART NUMBER TO IMDS (COMPANY ID#13255)
 - f. PCB TO BE FR4 .062" (1.57mm) THICK
 - g. MATING CONNECTOR MINIMUM CLEARANCE: REGION TO REMAIN CLEAR OF MODULE COMPONENTS, ADHESIVE, DEBRIS, ETC.
2. DESIGN - MATERIALS:
 - a. HEADER HOUSING - SPS GF30%
 - b. TERMINALS - COPPER ALLOY
OVERMOLDING - LCP GF30%
MATE-SIDE PLATING: SELECTIVE GOLD OVER NICKEL
PCB-SIDE PLATING: TIN OVER NICKEL
 - c. BISCUIT HOUSING - SPS GF30%
 - d. SHIELDS - COPPER ALLOY
PLATING (OVERALL): TIN OVER NICKEL
3. DESIGN - GEOMETRY:
 - a. GEOMETRIC DIMENSIONS AND TOLERANCES PER ASME Y14.5M-2009
 - b. EDGES AND UNDIMENSIONED DETAILS PER ISO13715
 - c. CORNERS SHOWN AS SHARP TO BE R0.2 MAX.
4. LASER MARKING TO BE MARKED WITH:
 - HUMAN READABLE CODE (HRC)
 - PERMANENTLY APPLIED ON THE PART WITH 1.5MM LETTER SIZE
 - 5DIGIT JULIAN MANUFACTURING DATE STAMP YYDDD



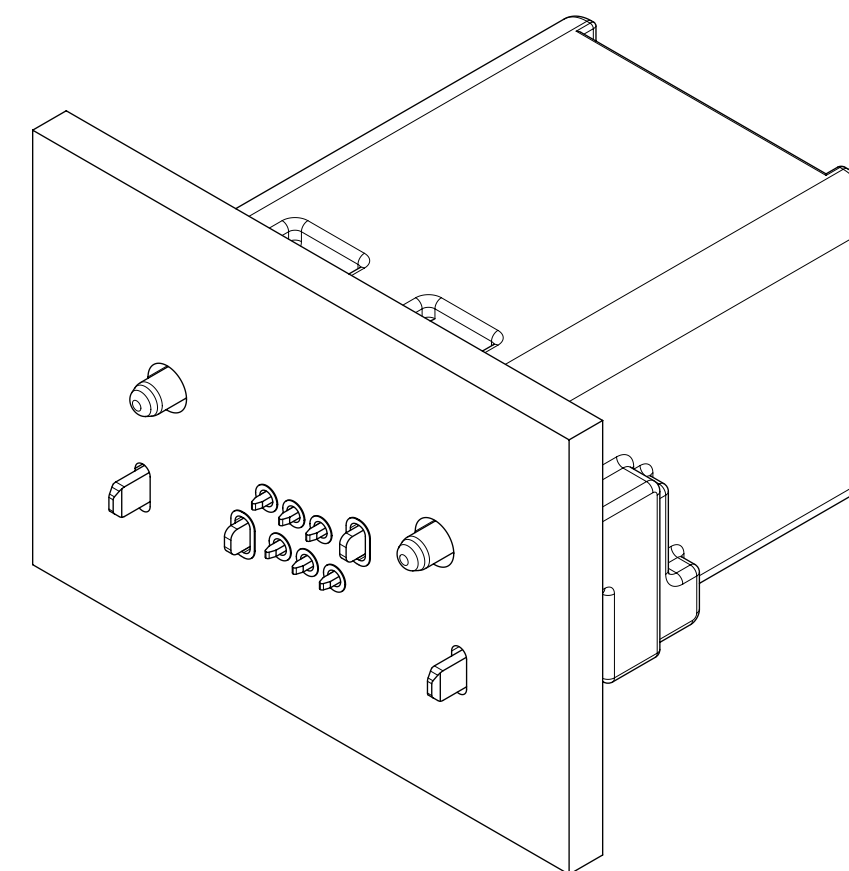
4 SHIELD TAB VERSION
16006411XX



SHORTENED 2 SHIELD TAB
VERSION 16006414XX



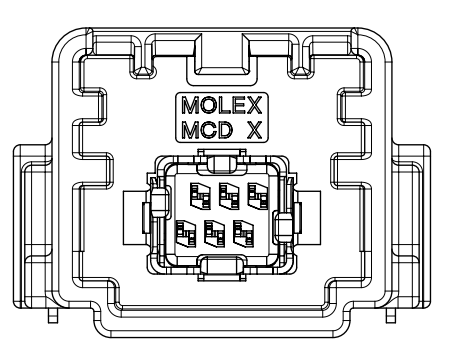
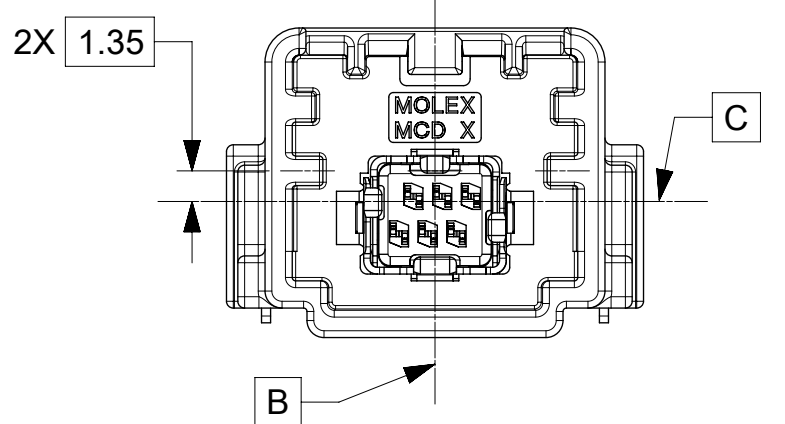
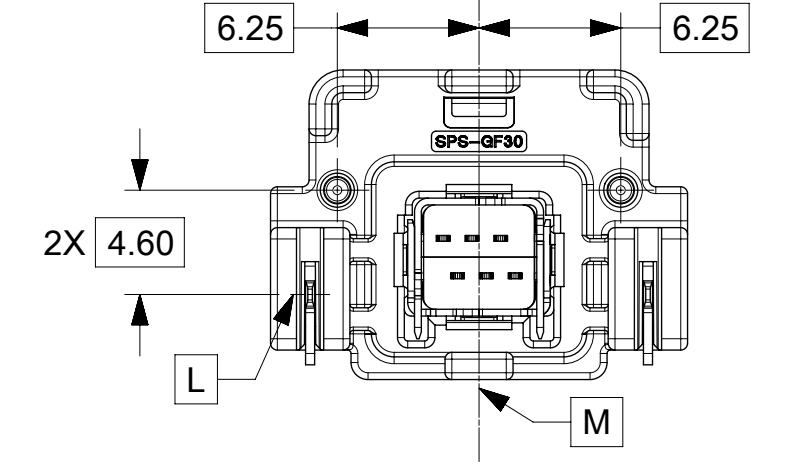
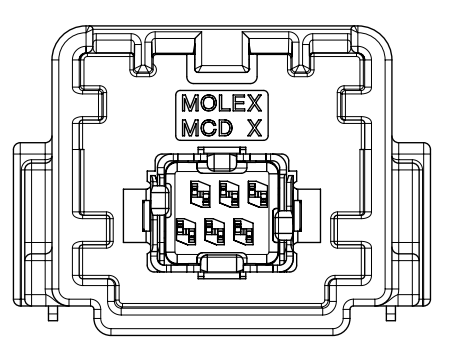
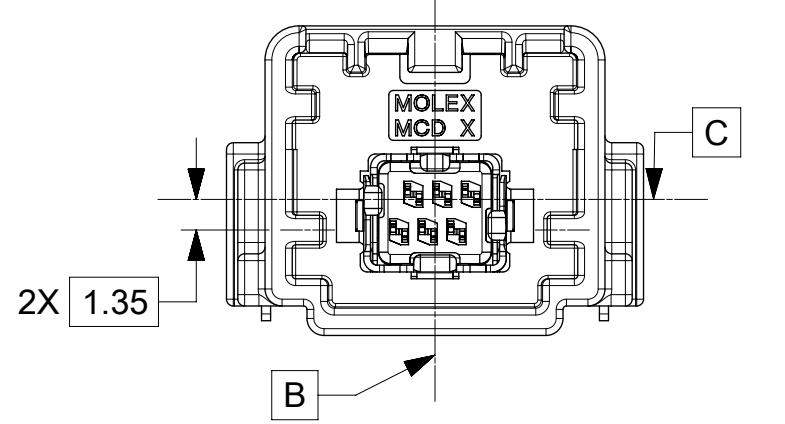
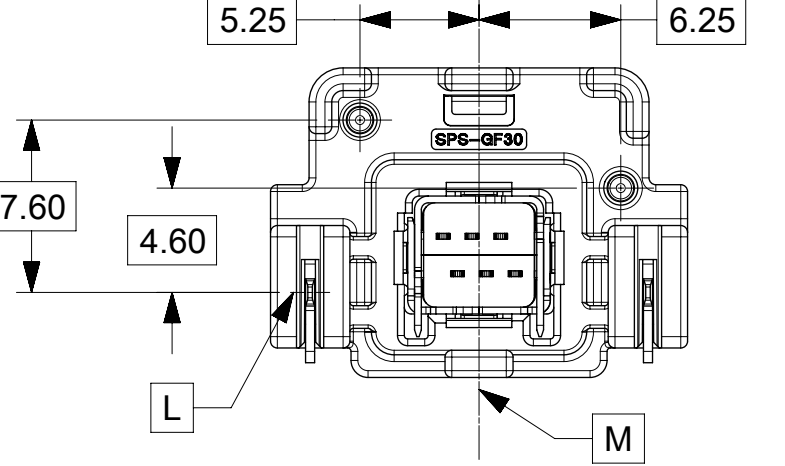
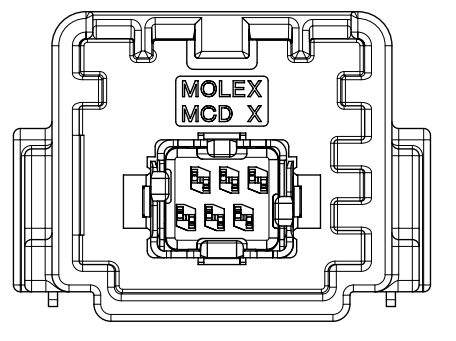
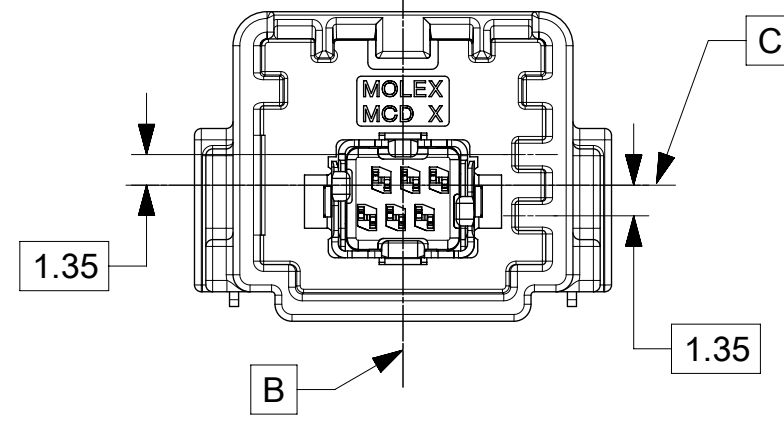
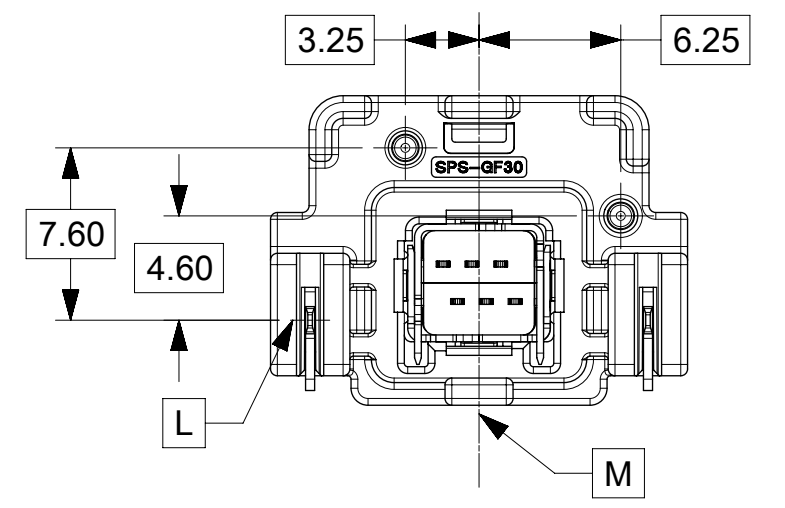
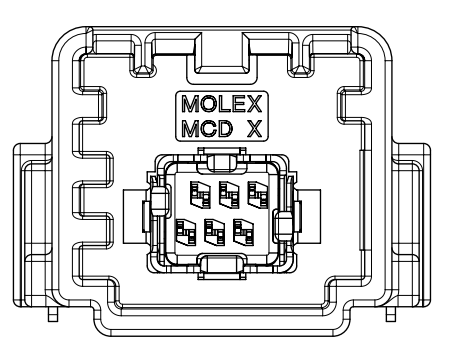
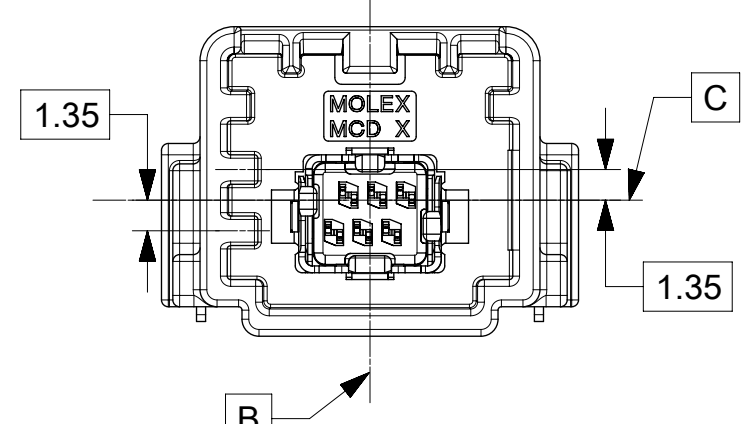
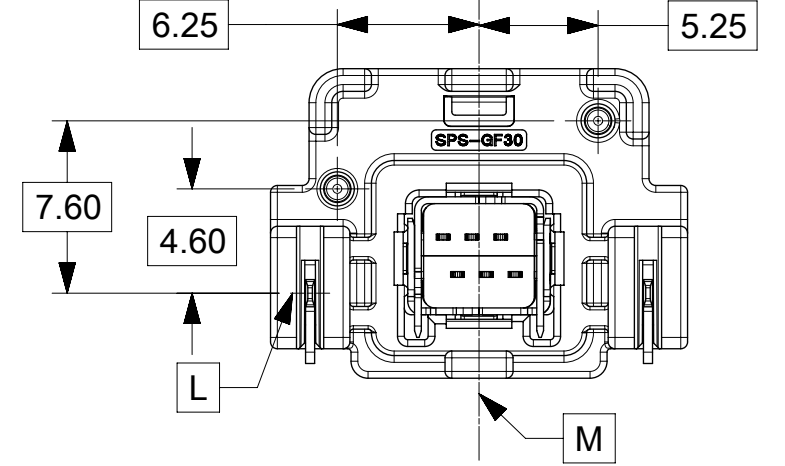
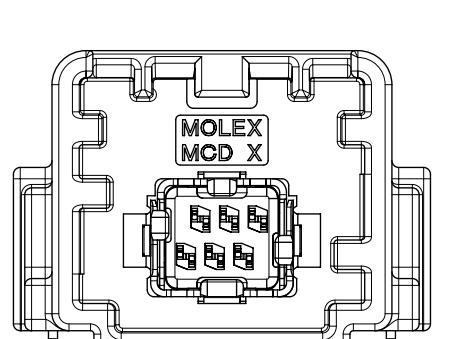
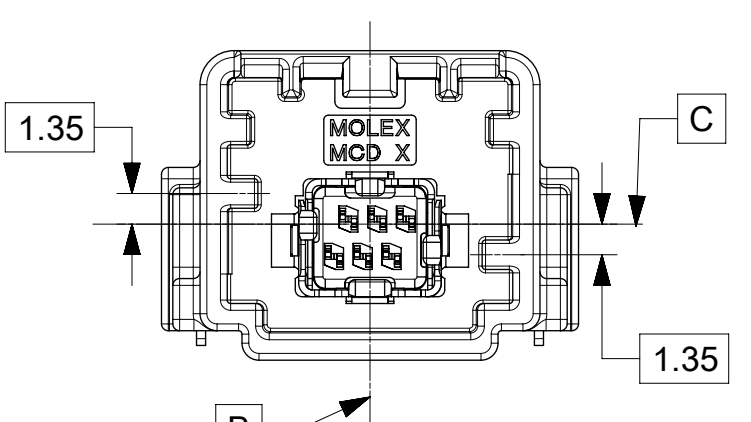
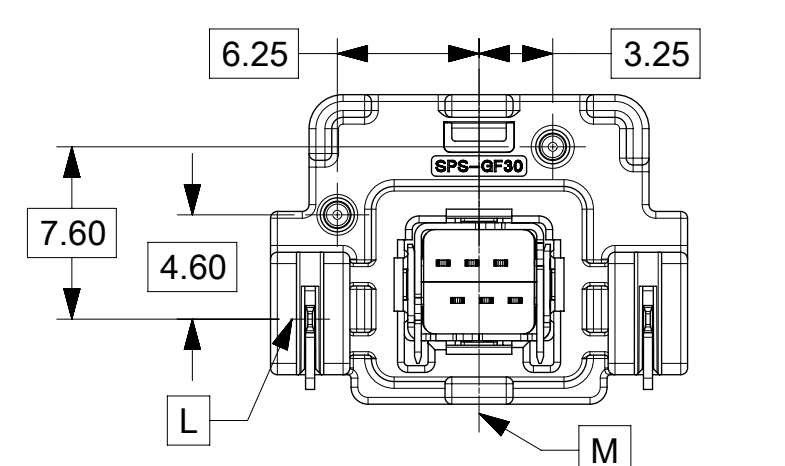
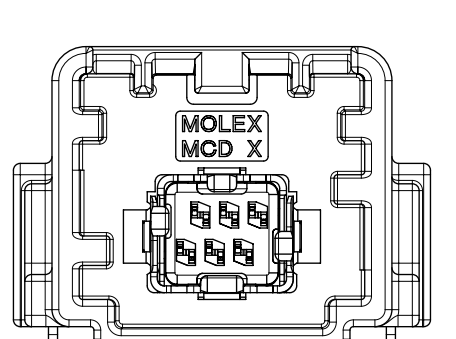
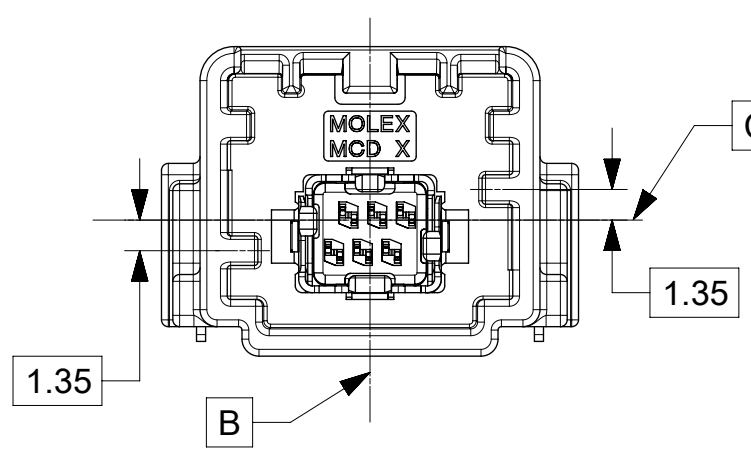
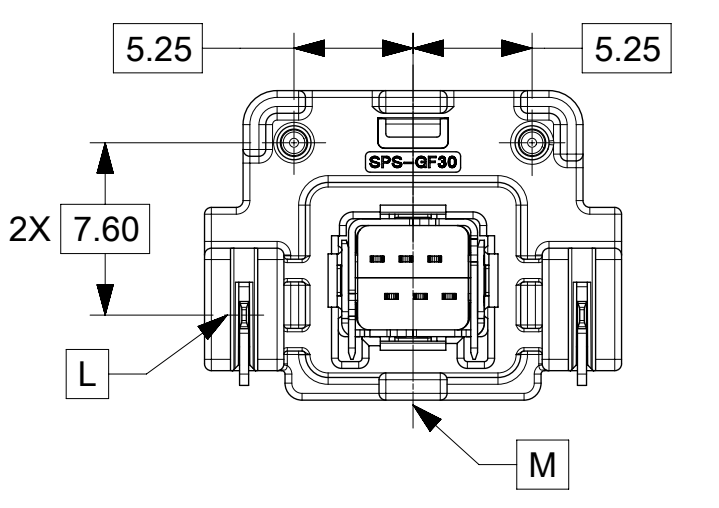
2 SHIELD TAB VERSION
16006413XX




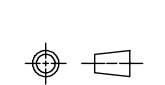
THIS DRAWING CONTAINS INFORMATION THAT IS PROPRIETARY TO MOLEX ELECTRONIC TECHNOLOGIES, LLC AND SHOULD NOT BE USED WITHOUT WRITTEN PERMISSION

EC NO: 173340 DRWN: HKASSAB CHKD: DNAYLIS REV APPR: DNAYLIS	2018/03/08	GENERAL TOLERANCES (UNLESS SPECIFIED)	DIMENSION UNITS	SCALE	
	2018/03/13	ANGULAR TOL ± 1.0 °	mm	4:1	
	2018/03/13	4 PLACES ±	DRWN BY	DATE	
		3 PLACES ±	DGILKEY	2014/10/29	
		2 PLACES ± 0.13	CHKD BY	DATE	
	1 PLACE ± 0.25	DGILKEY	2016/09/29		
	0 PLACES ±	APPR BY	DATE		
		JKNAUB	2014/12/19		
		DRAFT WHERE APPLICABLE MUST REMAIN WITHIN DIMENSIONS	DRAWING SIZE	THIRD ANGLE PROJECTION	SERIES
			D		160064
					MATERIAL NUMBER
					SEE TABLE
					CUSTOMER
					GENERAL MARKET
					DOCUMENT NUMBER
					SD-160064-1103
					DOC TYPE
					PSD
					DOC PART
					000
					SHEET NUMBER
					1 OF 5

SHEET DESCRIPTION
CONFIGURATIONS

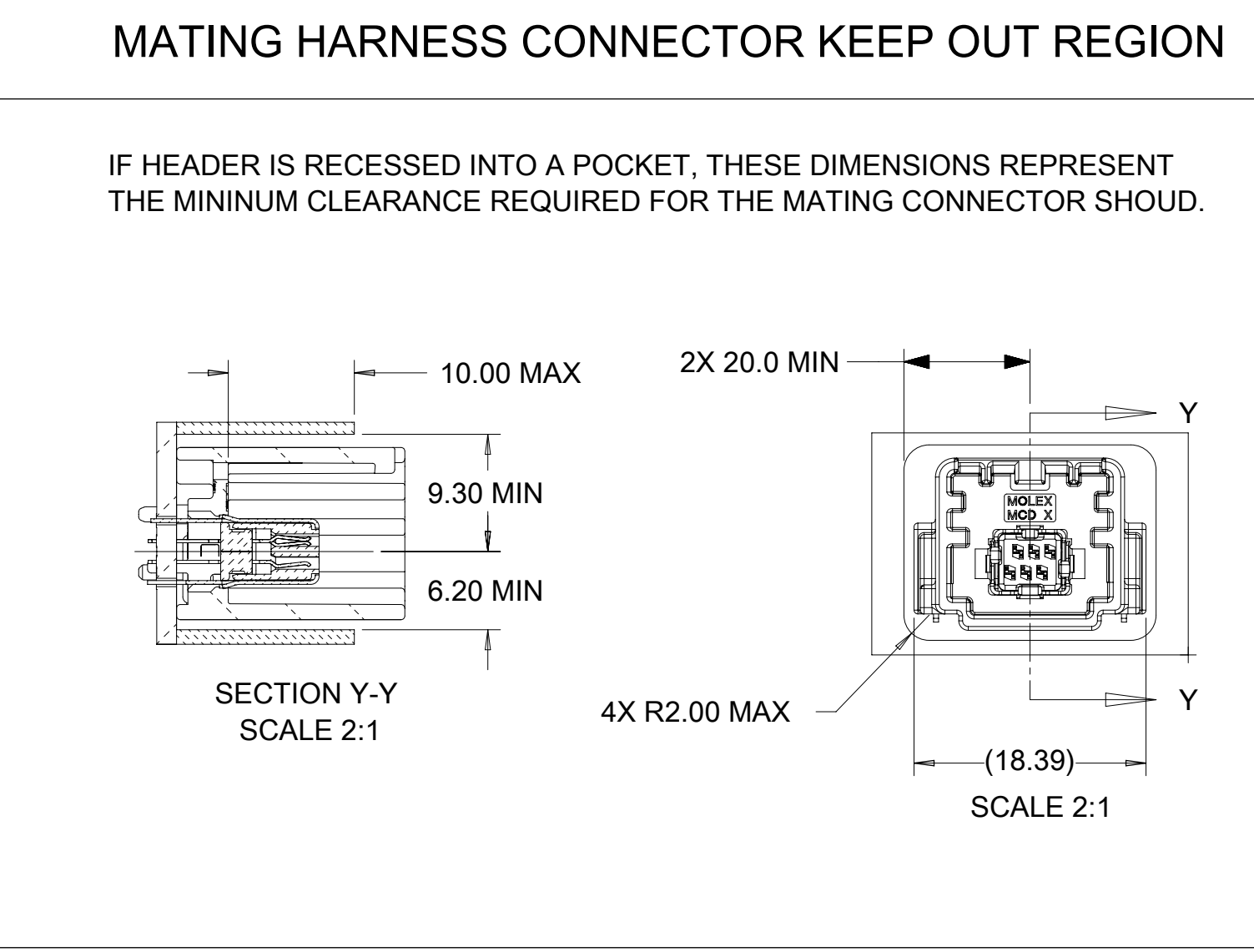
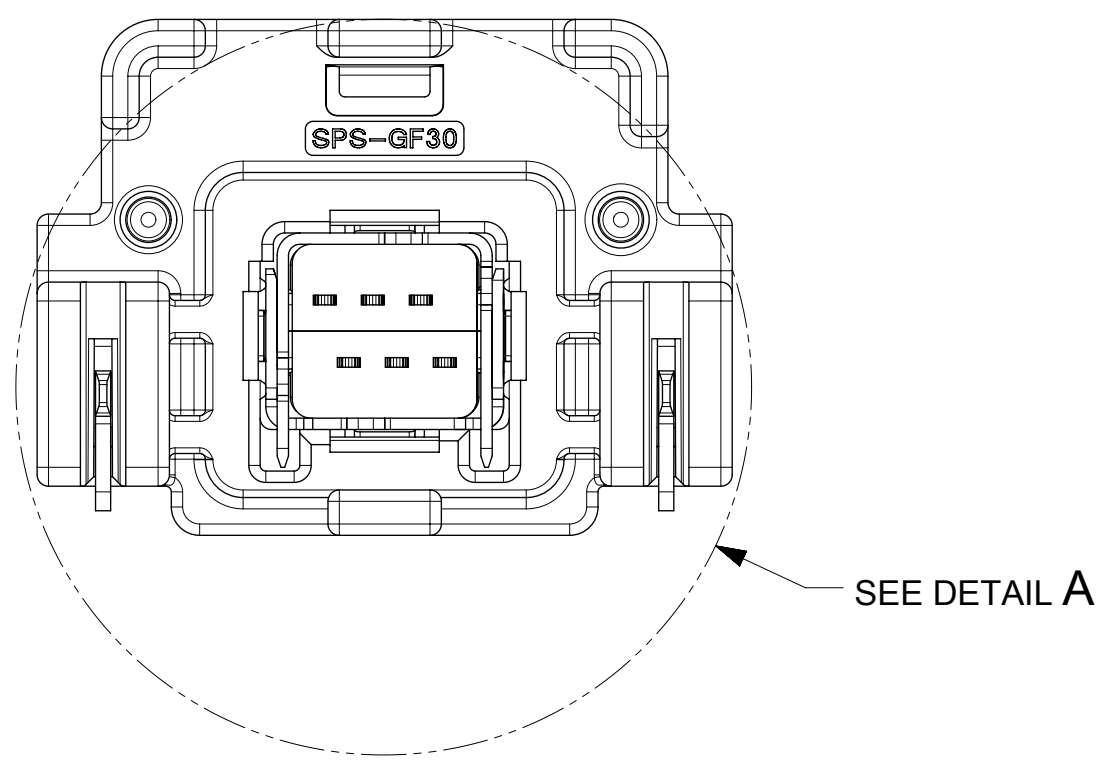
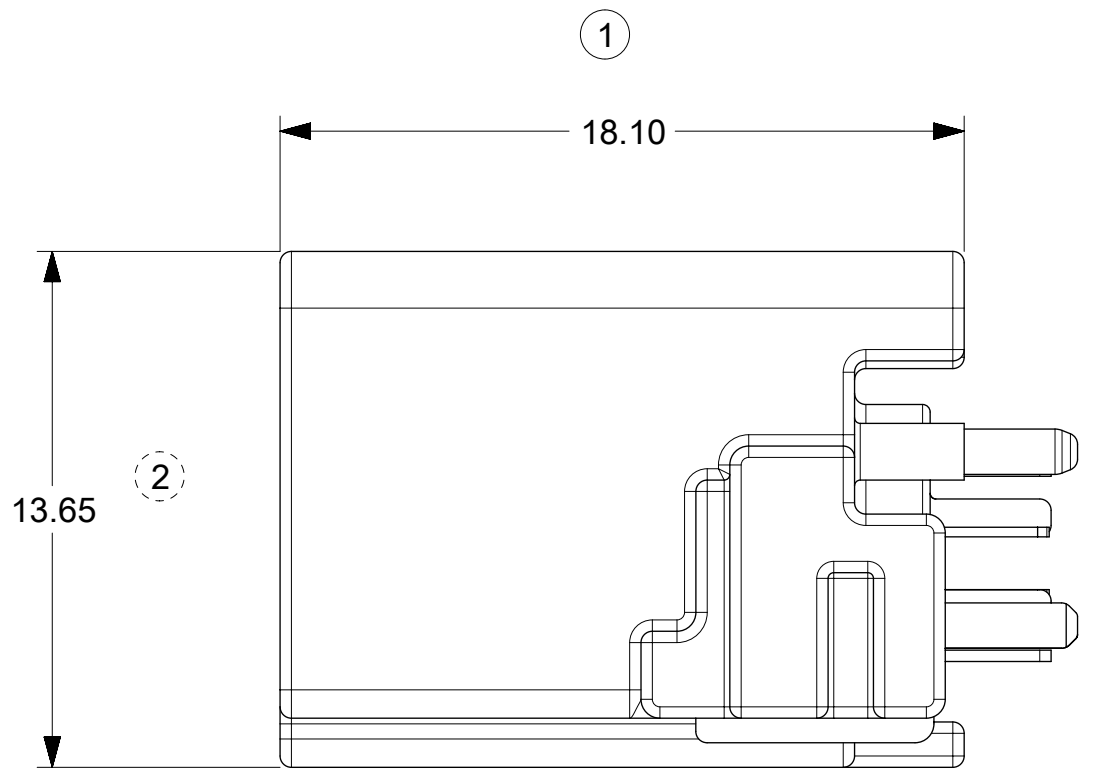
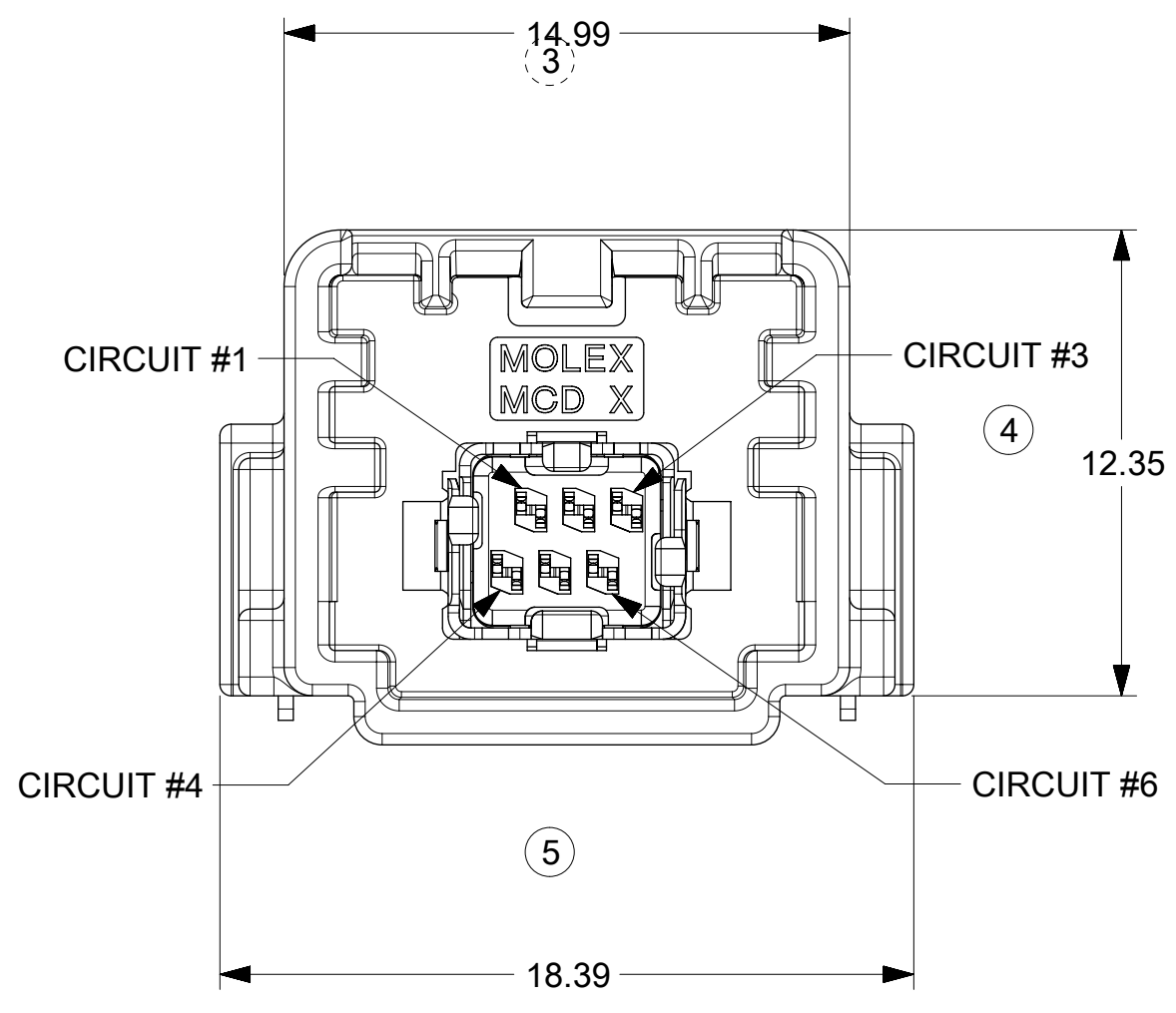
<p>KEY OPTION A COLOR: BLACK</p> 		
<p>KEY OPTION B COLOR: GREY</p> 		
<p>KEY OPTION C COLOR: DARK GREY</p> 		
<p>KEY OPTION D COLOR: GREEN</p> 		
<p>KEY OPTION E COLOR: BLUE</p> 		
<p>KEY OPTION F COLOR: NATURAL</p> 		

THIS DRAWING CONTAINS INFORMATION THAT IS PROPRIETARY TO MOLEX ELECTRONIC TECHNOLOGIES, LLC AND SHOULD NOT BE USED WITHOUT WRITTEN PERMISSION

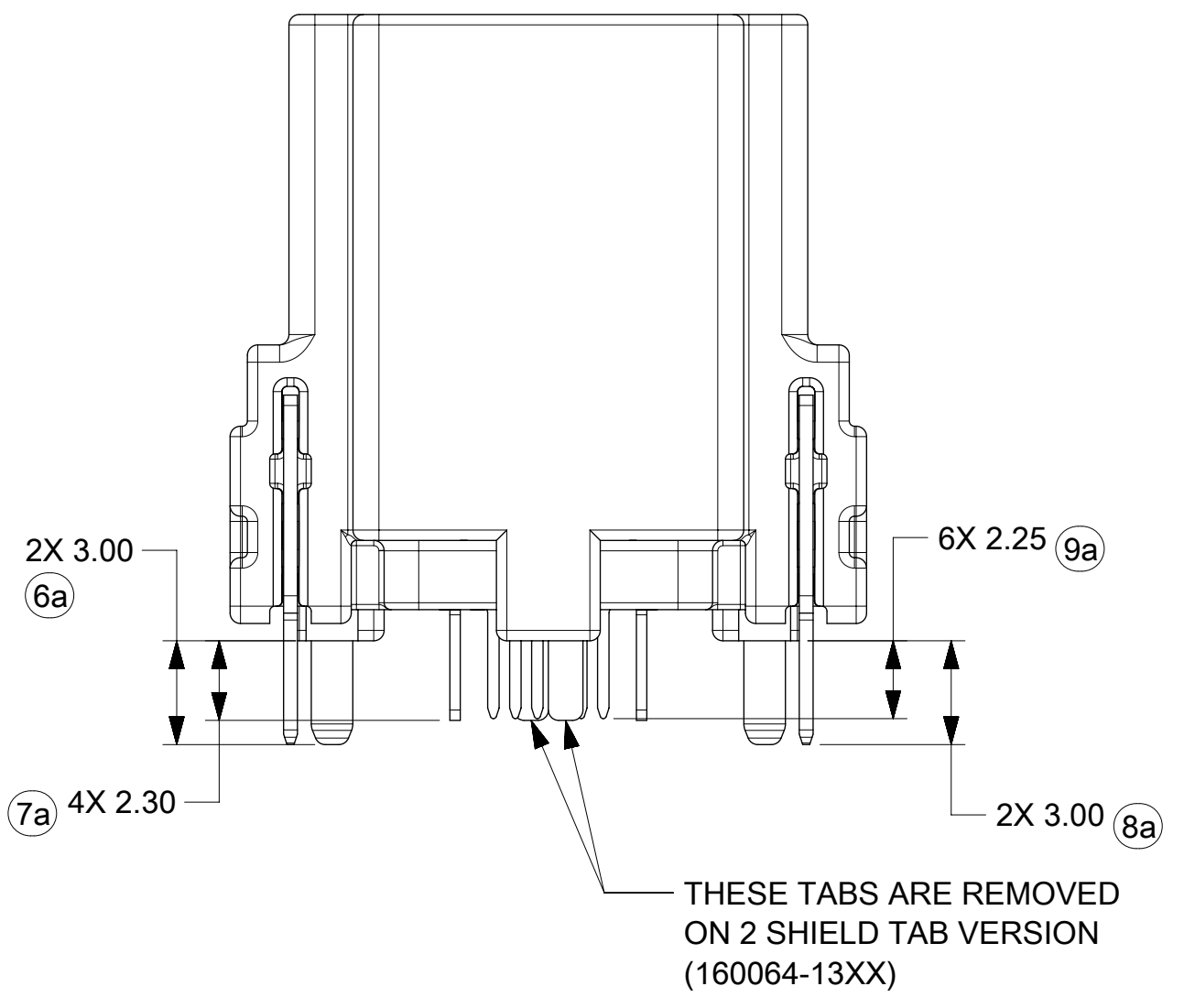
EC NO: 173340 DRWN: HKASSAB CHKD: DNAYLIS REV APPR: DNAYLIS	2018/03/08	GENERAL TOLERANCES (UNLESS SPECIFIED)	DIMENSION UNITS	SCALE	 6 CKT HSAUTOLINK II VERTICAL UNSEALED HEADER ASSEMBLY PRODUCT CUSTOMER DRAWING SERIES: 160064 MATERIAL NUMBER: SEE TABLE CUSTOMER: GENERAL MARKET DOCUMENT NUMBER: SD-160064-1103 DOC TYPE: PSD DOC PART: 000 SHEET NUMBER: 2 OF 5
	2018/03/13	ANGULAR TOL ± 1.0 °	mm	2:1	
	2018/03/13	4 PLACES ±	DRWN BY	DATE	
		3 PLACES ±	DGILKEY	2014/10/29	
		2 PLACES ± 0.13	CHKD BY	DATE	
	1 PLACE ± 0.25	DGILKEY	2016/09/29		
	0 PLACES ±	APPR BY	DATE		
	DRAFT WHERE APPLICABLE MUST REMAIN WITHIN DIMENSIONS	JKNAUB	2014/12/19		
		DRAWING SIZE	THIRD ANGLE PROJECTION		
		D			

RELEASE STATUS	RELEASE DATE
19	18
17	16
15	14
13	12
11	10
9	8
7	6
5	4
3	2
1	

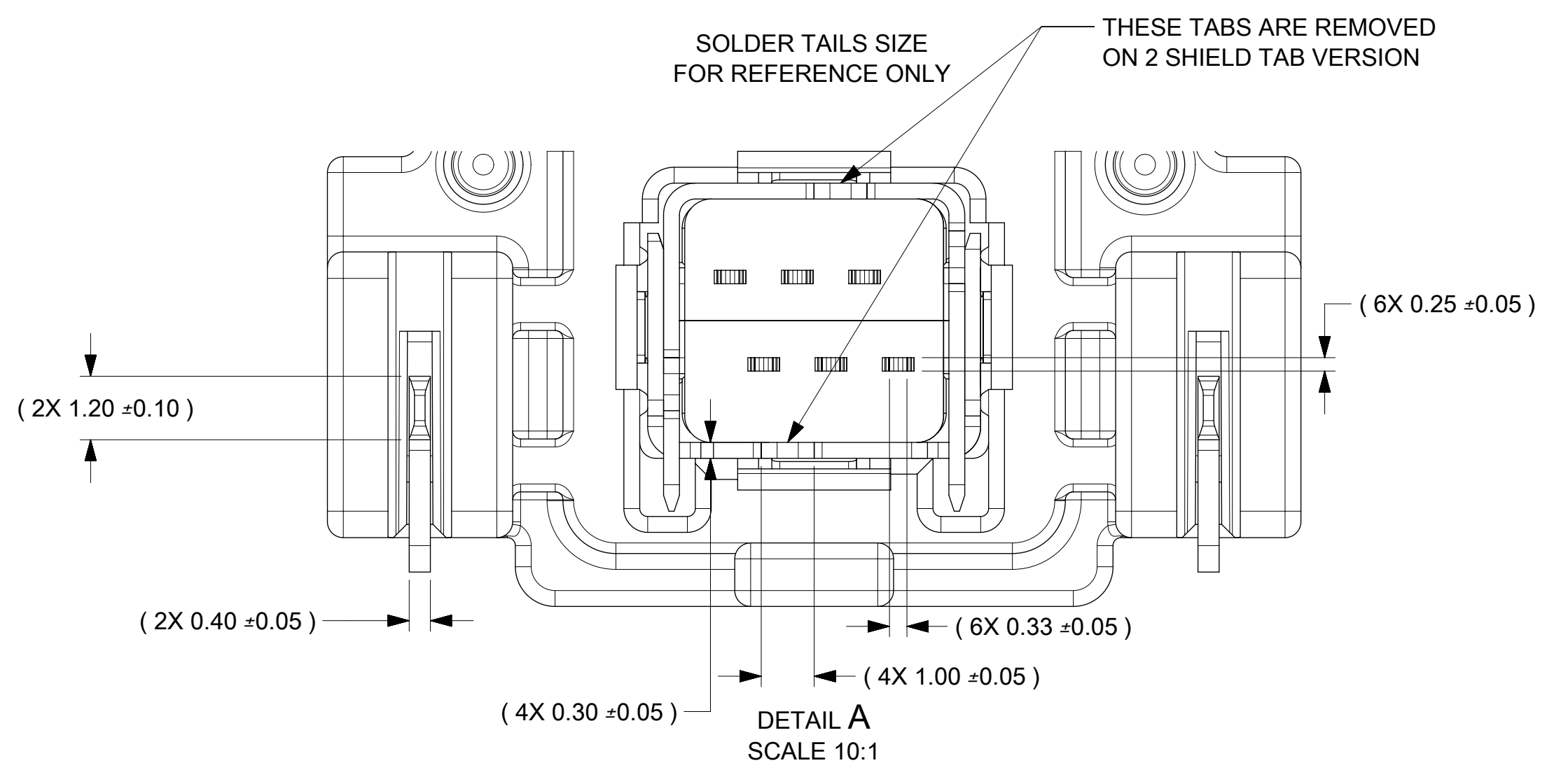
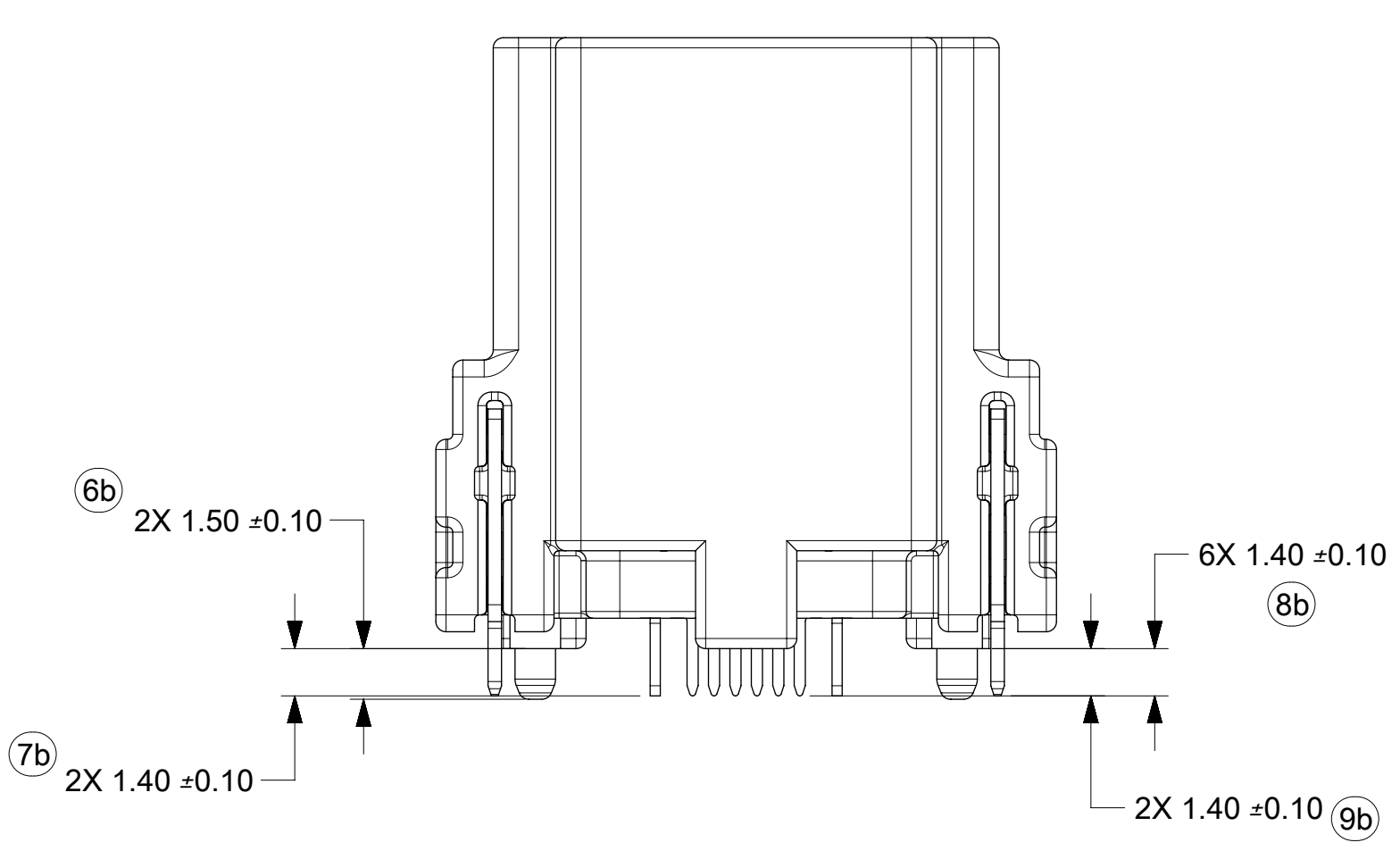
SHEET DESCRIPTION
CONNECTOR & PCB INTERFACE



STANDARD SOLDER TAIL LENGTH
(PART NUMBERS: 160064-11XX, 160064-13XX)



SHORT SOLDER TAIL LENGTH
(PART NUMBERS: 160064-14XX)

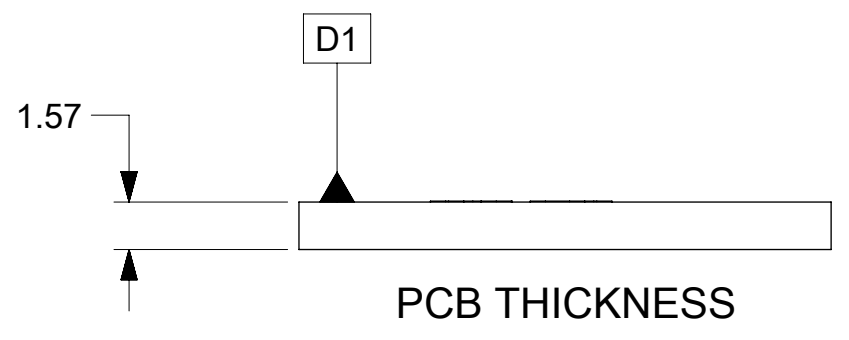
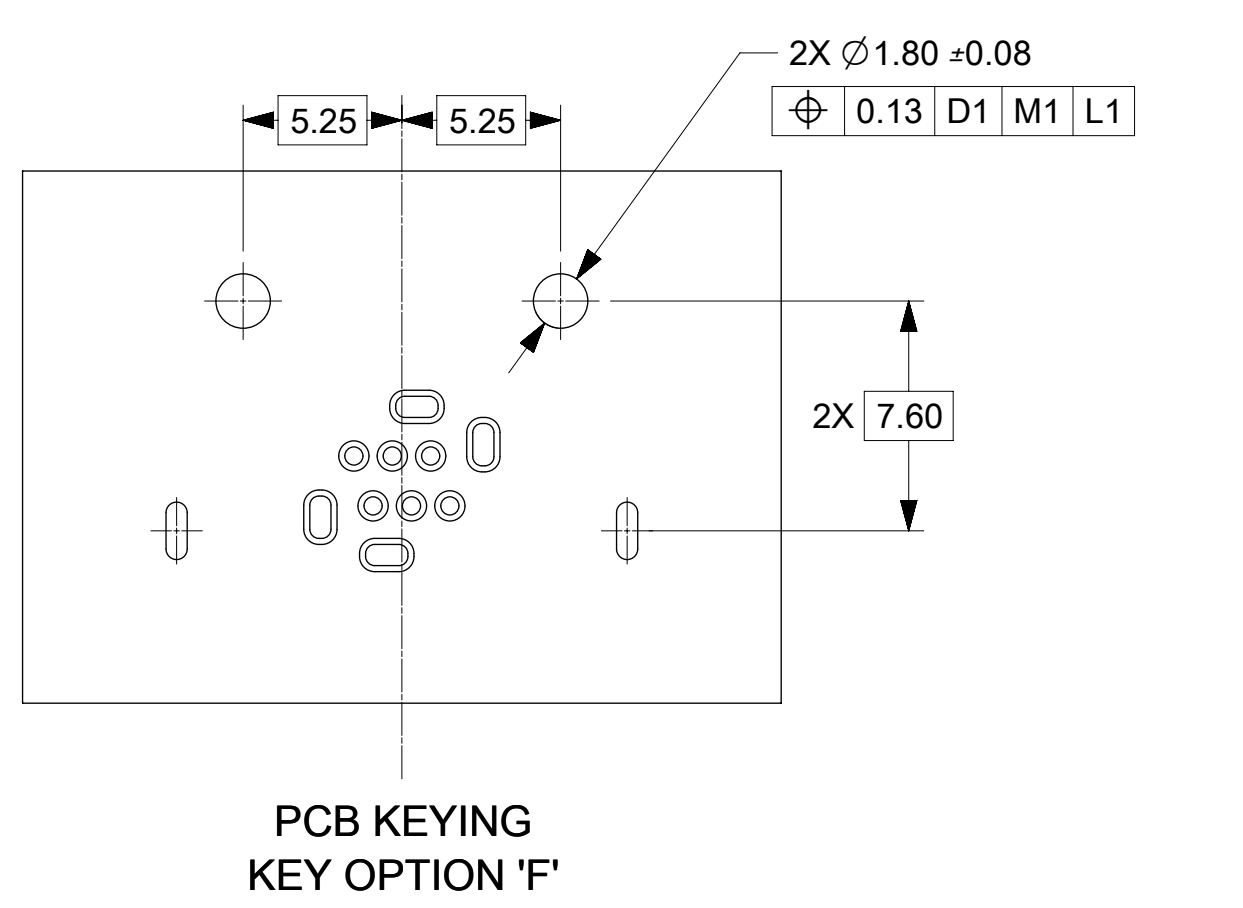
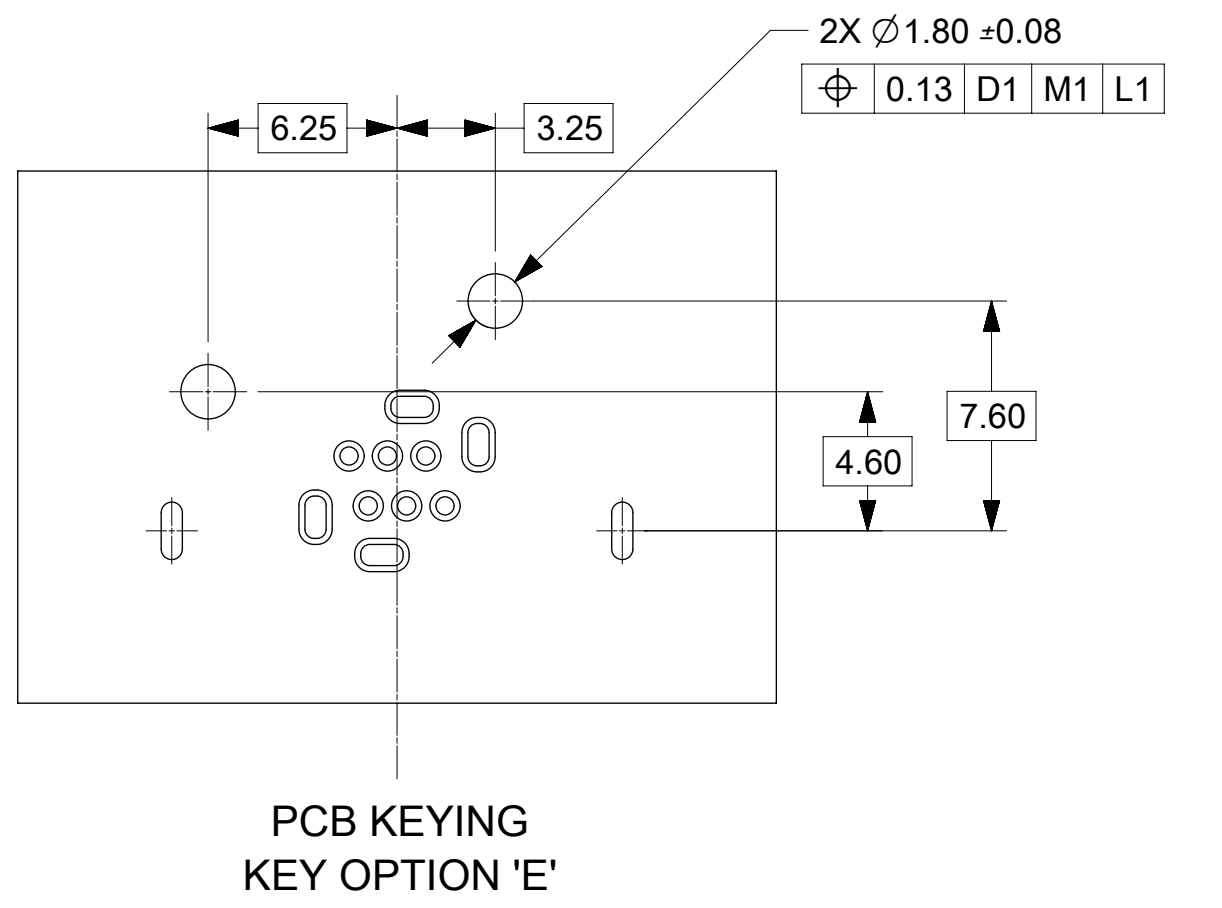
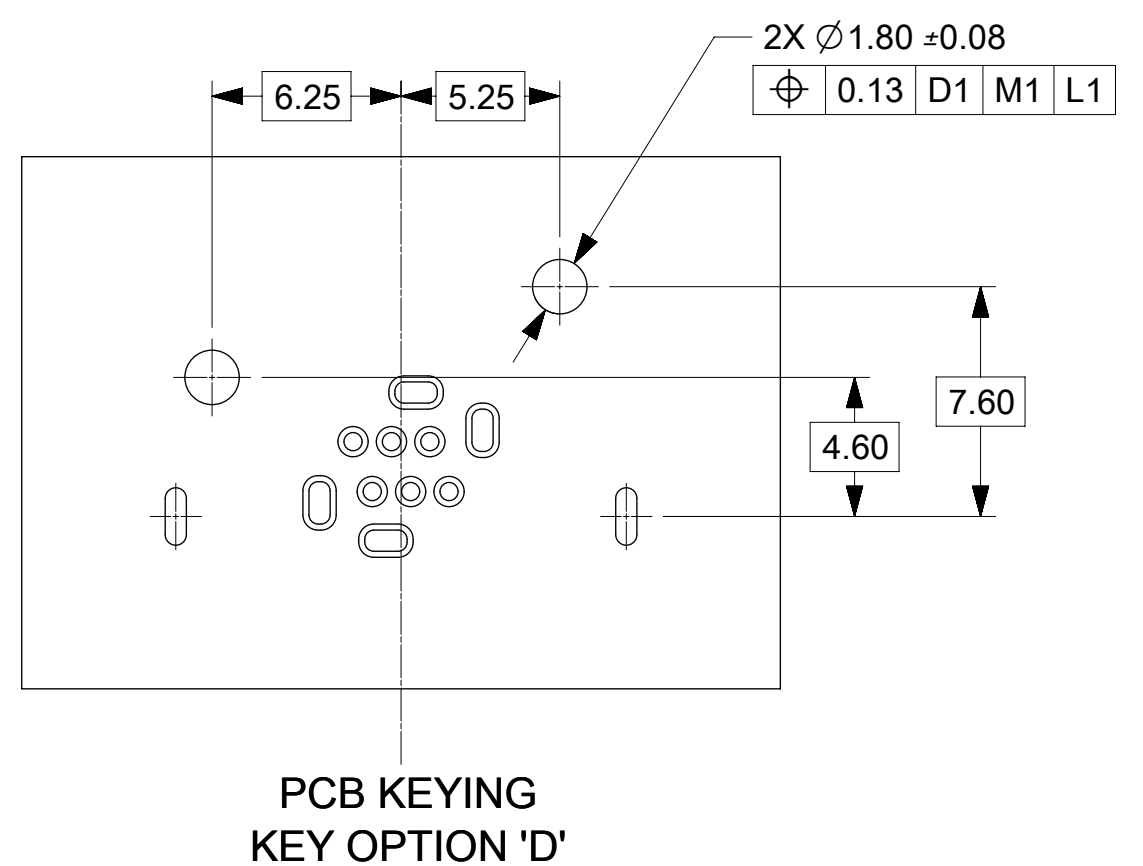
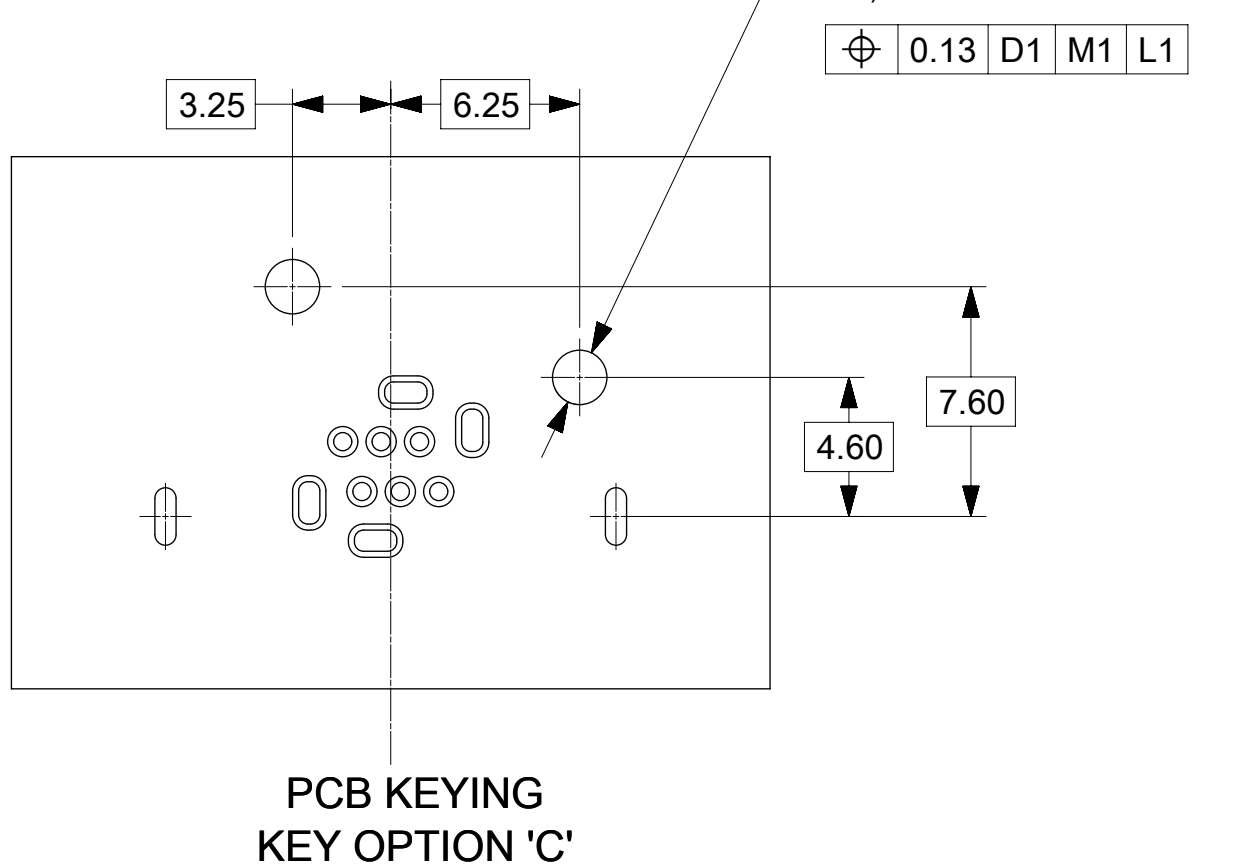
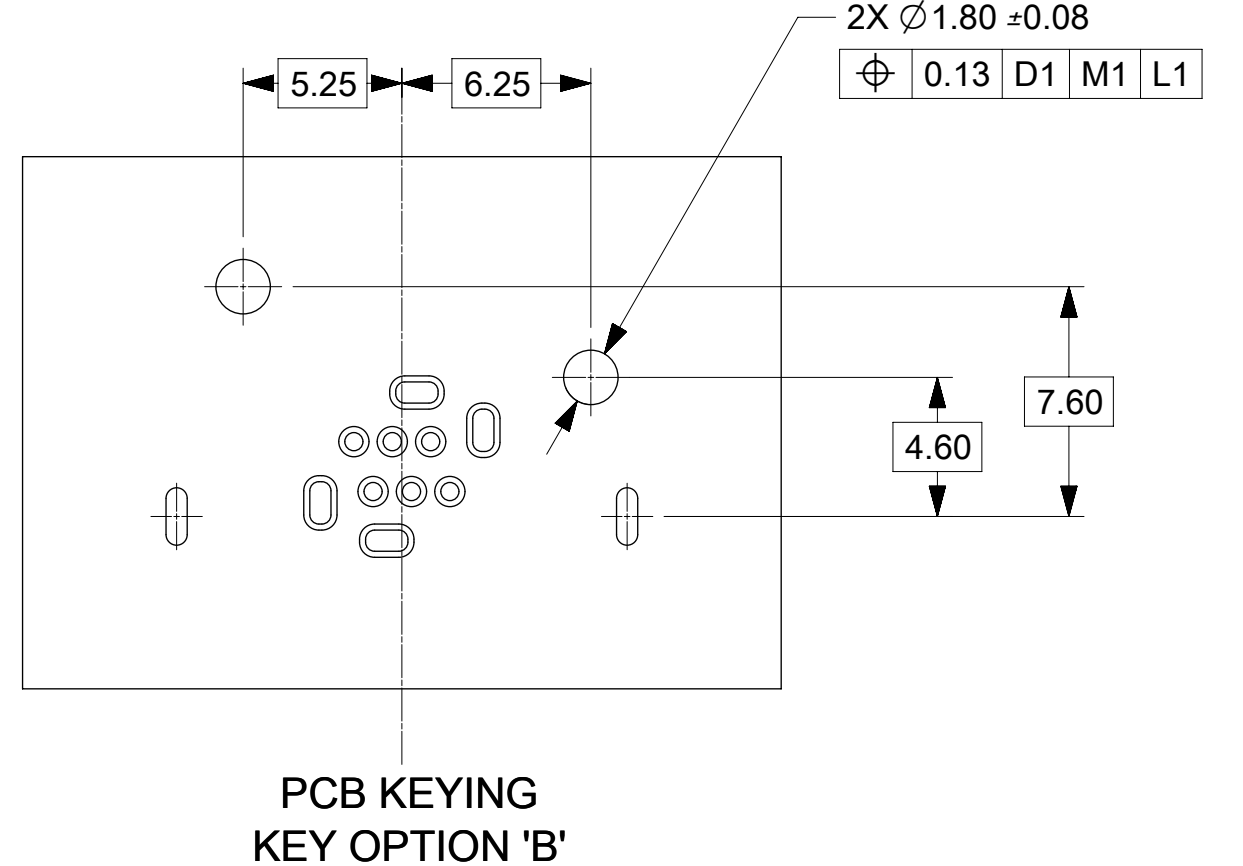
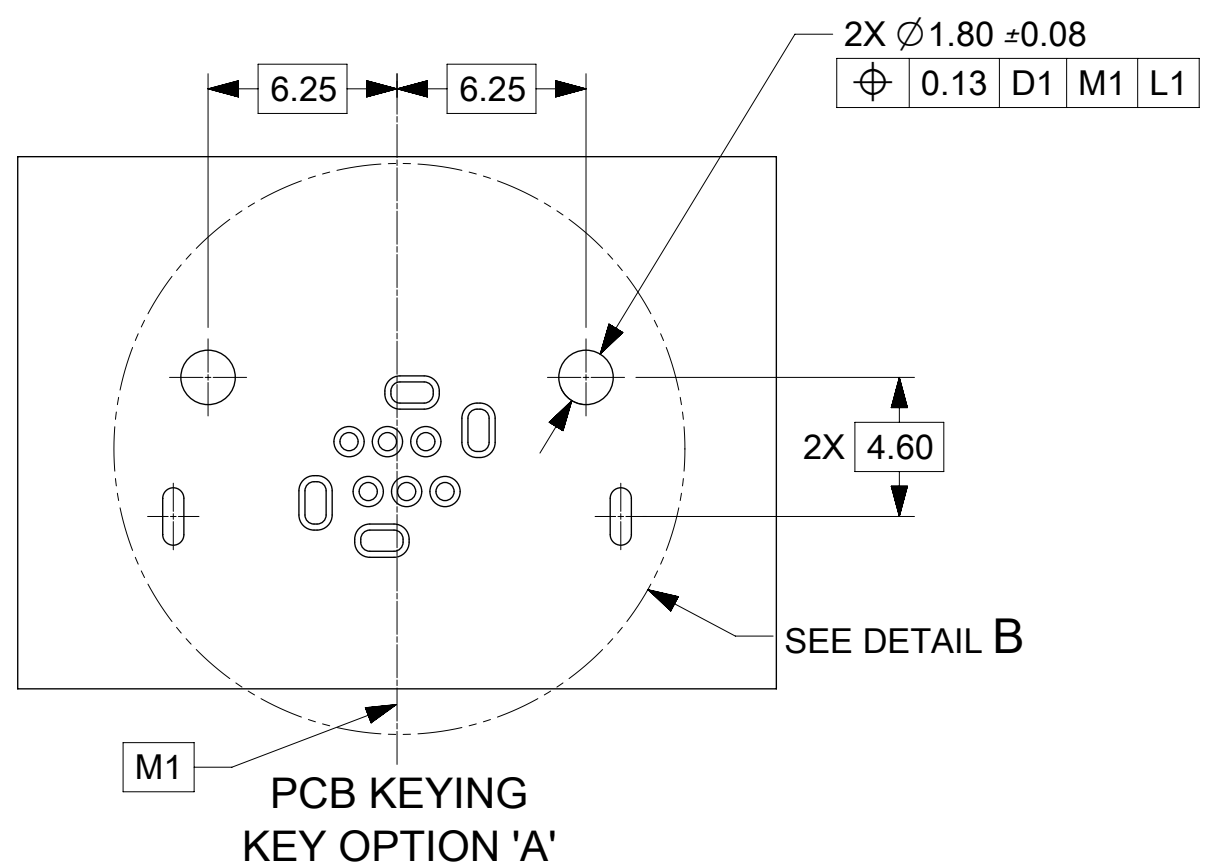
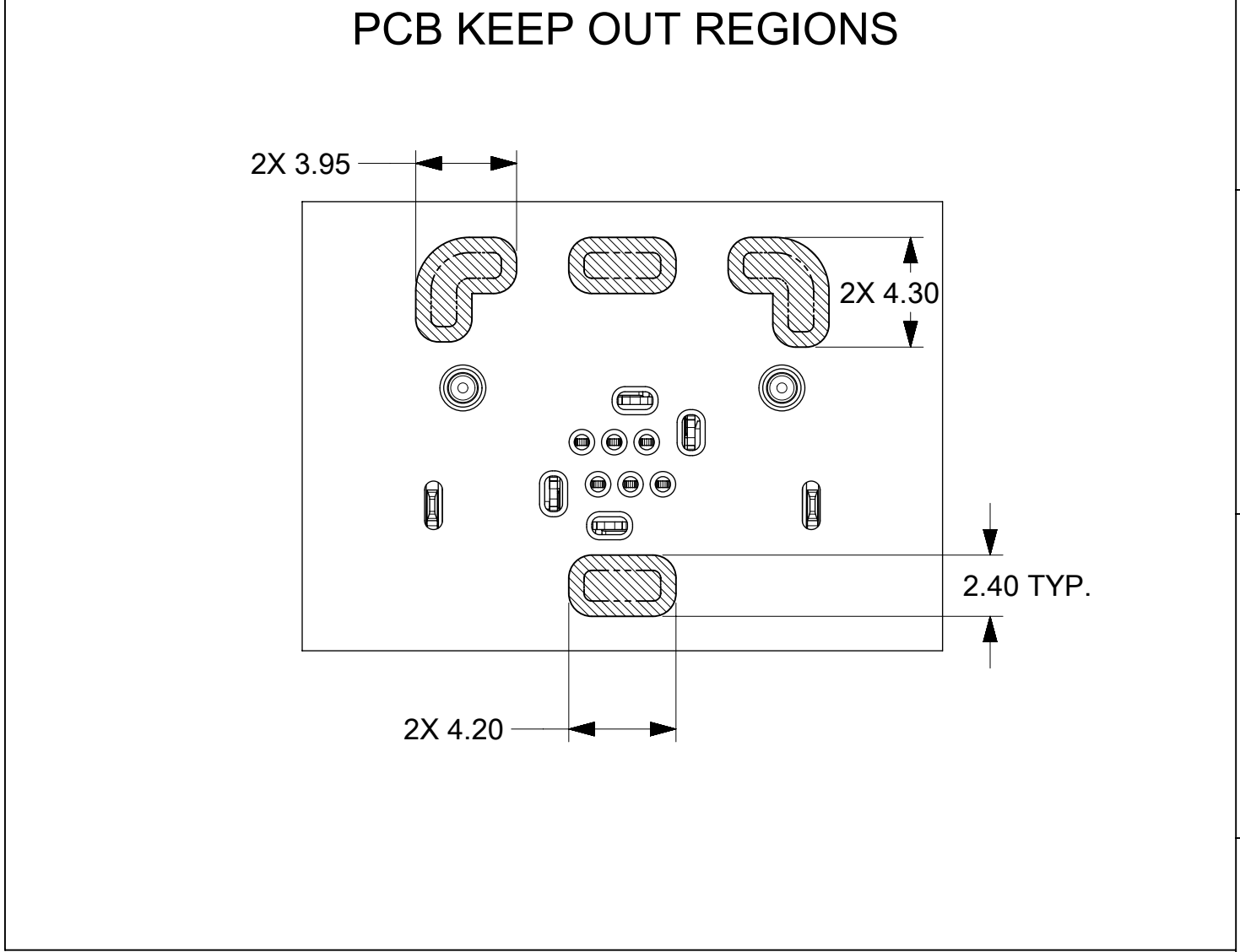
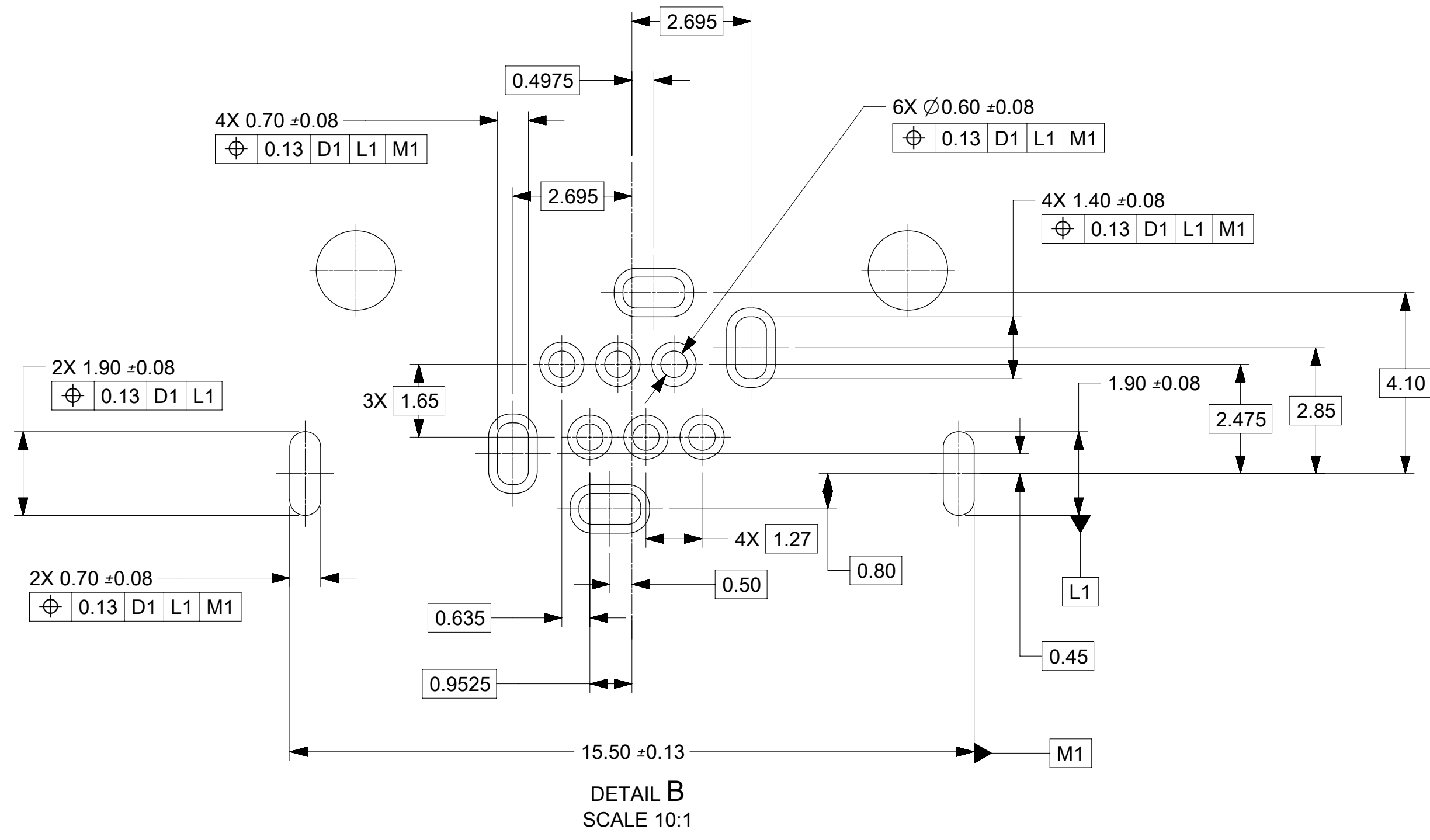


THIS DRAWING CONTAINS INFORMATION THAT IS PROPRIETARY TO MOLEX ELECTRONIC TECHNOLOGIES, LLC AND SHOULD NOT BE USED WITHOUT WRITTEN PERMISSION

EC NO: 173340 DRWN: HKASSAB CHKD: DNAYLIS REV APPR: DNAYLIS	2018/03/08	GENERAL TOLERANCES (UNLESS SPECIFIED) ANGULAR TOL ± 1.0 ° 4 PLACES ± 3 PLACES ± 2 PLACES ± 0.13 1 PLACE ± 0.25 0 PLACES ± DRAFT WHERE APPLICABLE MUST REMAIN WITHIN DIMENSIONS	DIMENSION UNITS	SCALE	
	2018/03/13		mm	5:1	
	2018/03/13		DRWN BY	DATE	
			DGILKEY	2014/10/29	
			CHKD BY	DATE	
	DGILKEY	2016/09/29			6 CKT HSAUTOLINK II VERTICAL UNSEALED HEADER ASSEMBLY PRODUCT CUSTOMER DRAWING SERIES: 160064 MATERIAL NUMBER: SEE TABLE CUSTOMER: GENERAL MARKET
	APPR BY	DATE			
	JKNAUB	2014/12/19			
	DRAWING SIZE	THIRD ANGLE PROJECTION			
	D				
B1					DOCUMENT NUMBER: SD-160064-1103 DOC TYPE: PSD DOC PART: 000 SHEET NUMBER: 3 OF 5

RELEASE STATUS	RELEASE DATE
----------------	--------------

SHEET DESCRIPTION
RECOMMENDED PCB LAYOUT - STANDARD

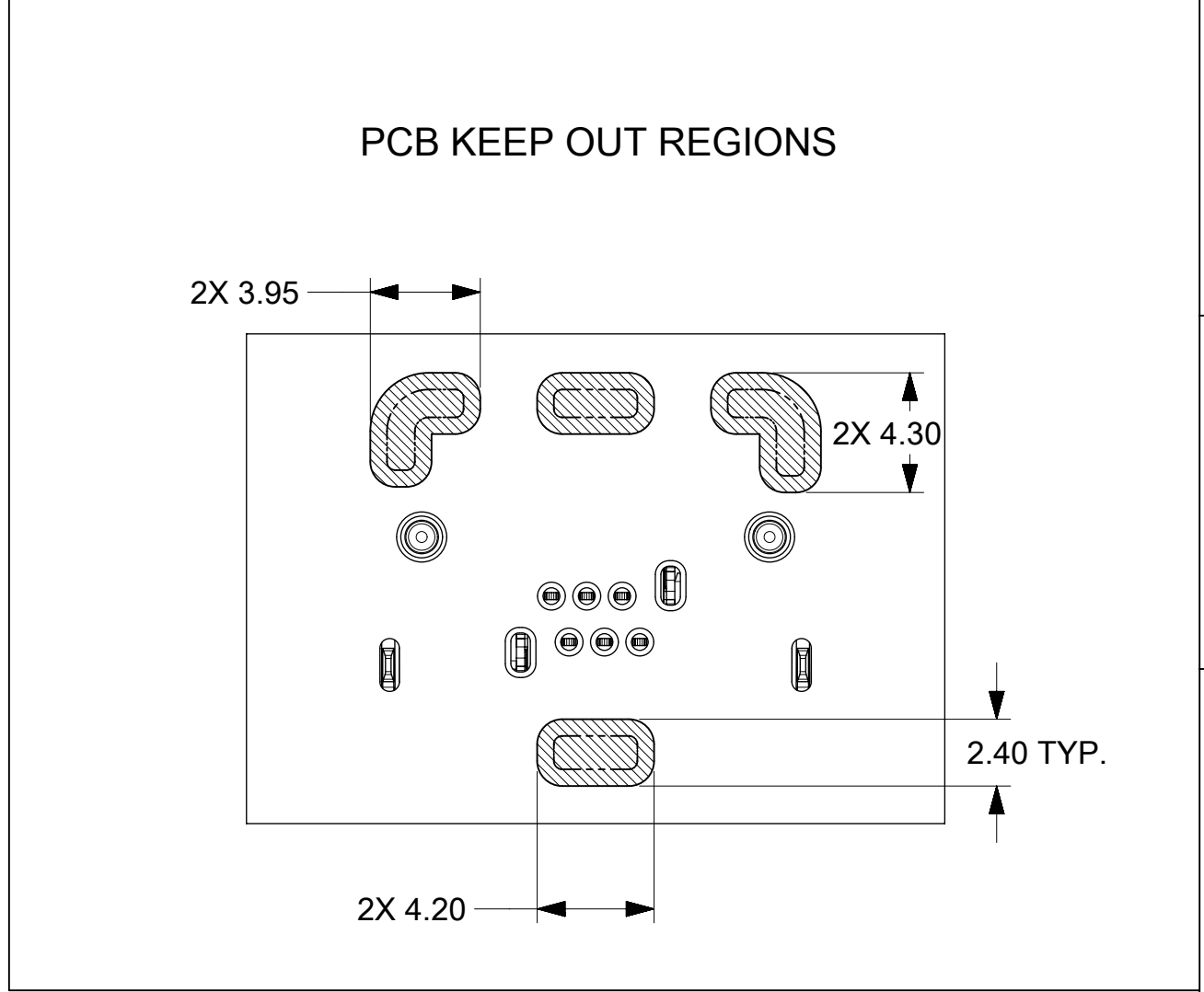
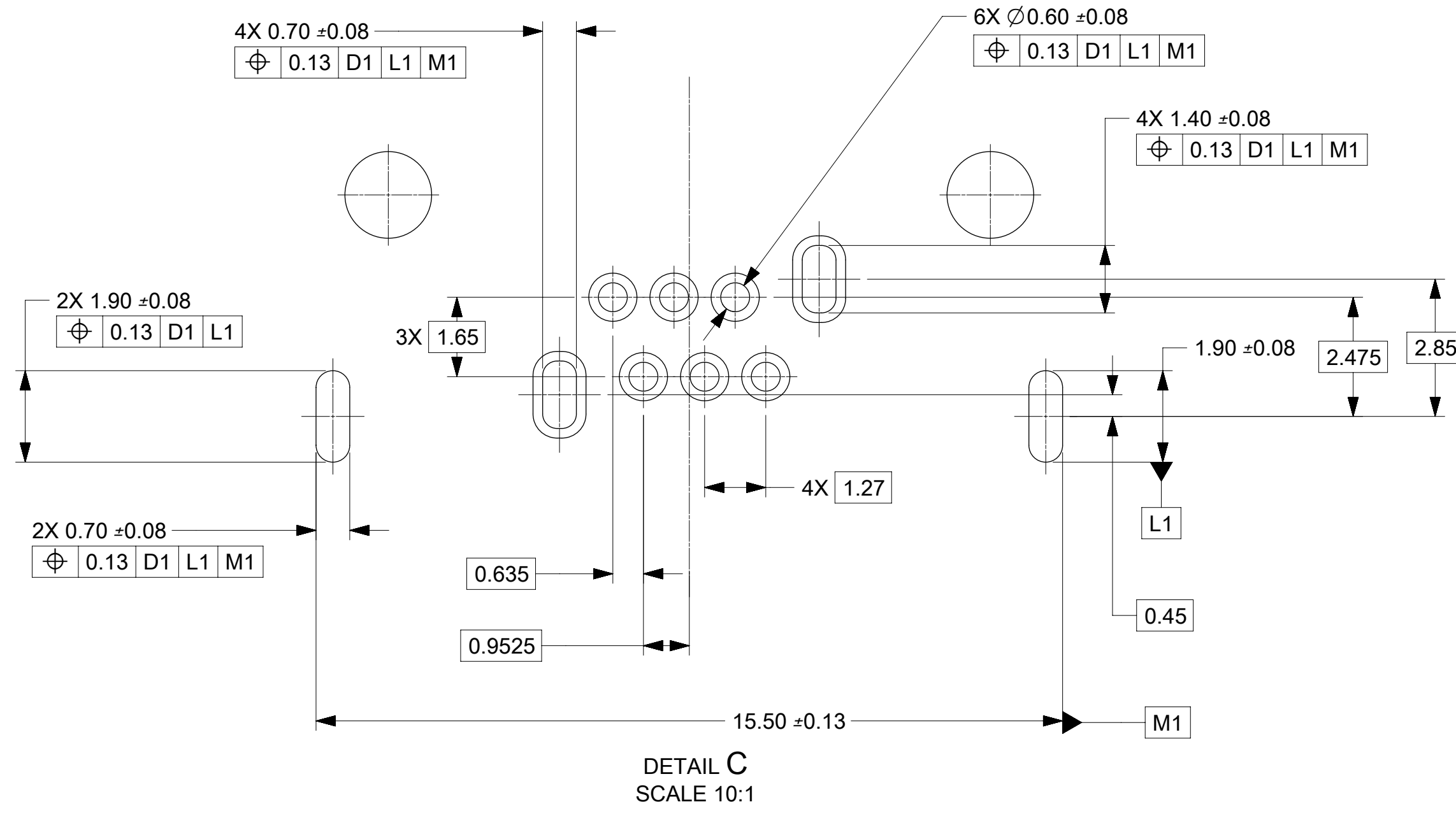


THIS DRAWING CONTAINS INFORMATION THAT IS PROPRIETARY TO MOLEX ELECTRONIC TECHNOLOGIES, LLC AND SHOULD NOT BE USED WITHOUT WRITTEN PERMISSION

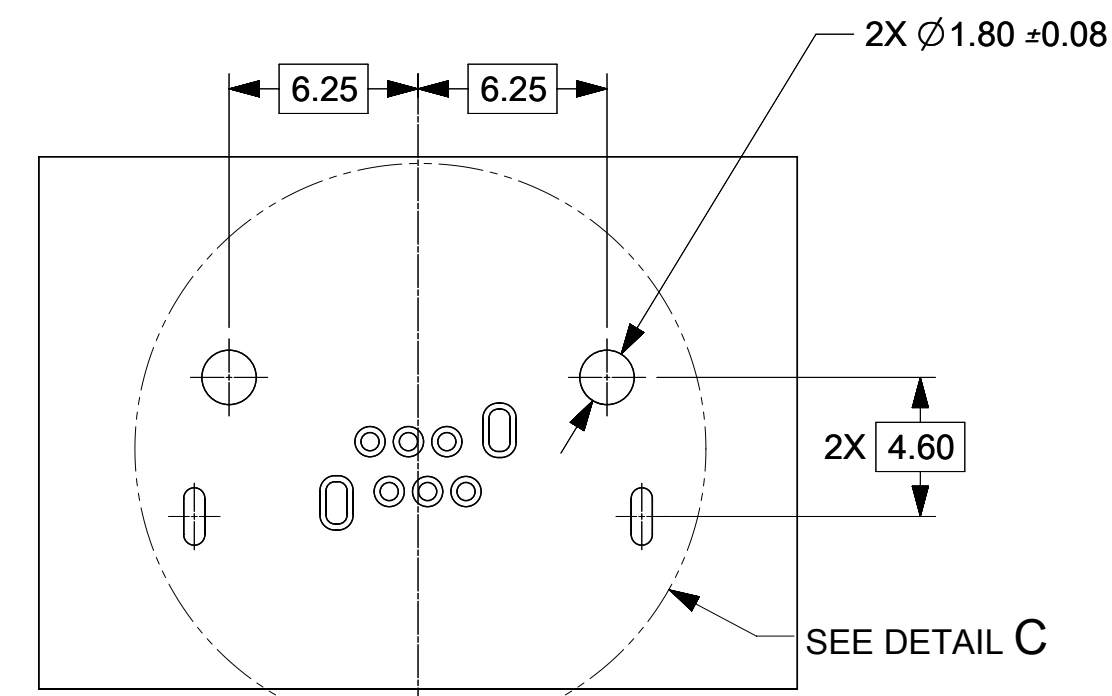
EC NO: 173340 DRWN: HKASSAB CHKD: DNAYLIS REV APPR: DNAYLIS	2018/03/08	GENERAL TOLERANCES (UNLESS SPECIFIED)	DIMENSION UNITS	SCALE				
	2018/03/13	ANGULAR TOL ± 1.0 °	mm	4:1				
	2018/03/13	4 PLACES ±	DRWN BY	DATE		6 CKT HSAUTOLINK II VERTICAL UNSEALED HEADER ASSEMBLY		
		3 PLACES ±	DGILKEY	2014/10/29				
		2 PLACES ± 0.13	CHKD BY	DATE		PRODUCT CUSTOMER DRAWING		
		1 PLACE ± 0.25	DGILKEY	2016/09/29				
	0 PLACES ±	APPR BY	DATE	SERIES	MATERIAL NUMBER	CUSTOMER		
	DRAFT WHERE APPLICABLE MUST REMAIN WITHIN DIMENSIONS	JKNAUB	2014/12/19	160064	SEE TABLE	GENERAL MARKET		
B1		DRAWING SIZE	THIRD ANGLE PROJECTION		DOCUMENT NUMBER	DOC TYPE	DOC PART	SHEET NUMBER
		D			SD-160064-1103	PSD	000	4 OF 5

RELEASE STATUS	RELEASE DATE
----------------	--------------

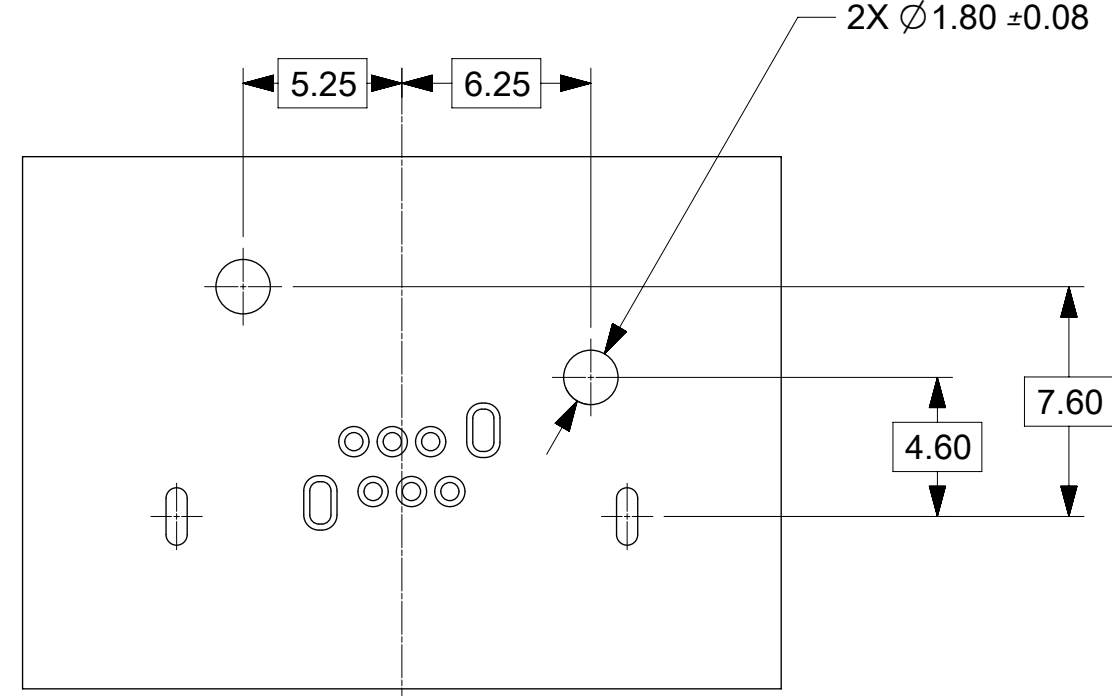
SHEET DESCRIPTION
RECOMMENDED PCB LAYOUT - 2 SHIELD TAB VERSION



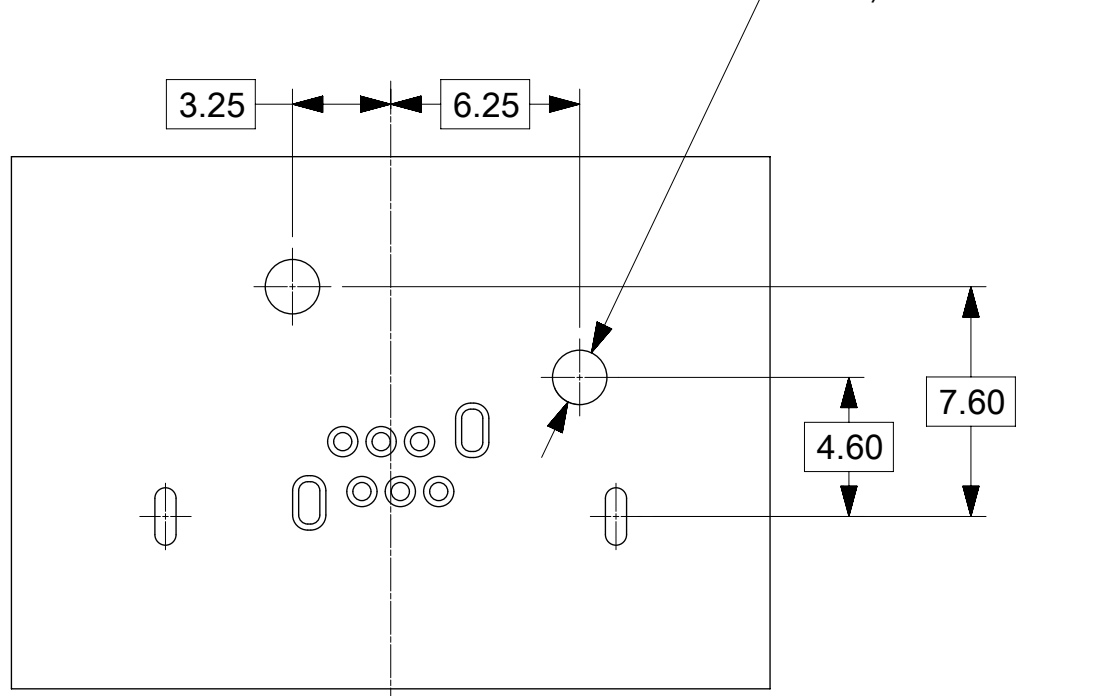
DETAIL C
SCALE 10:1



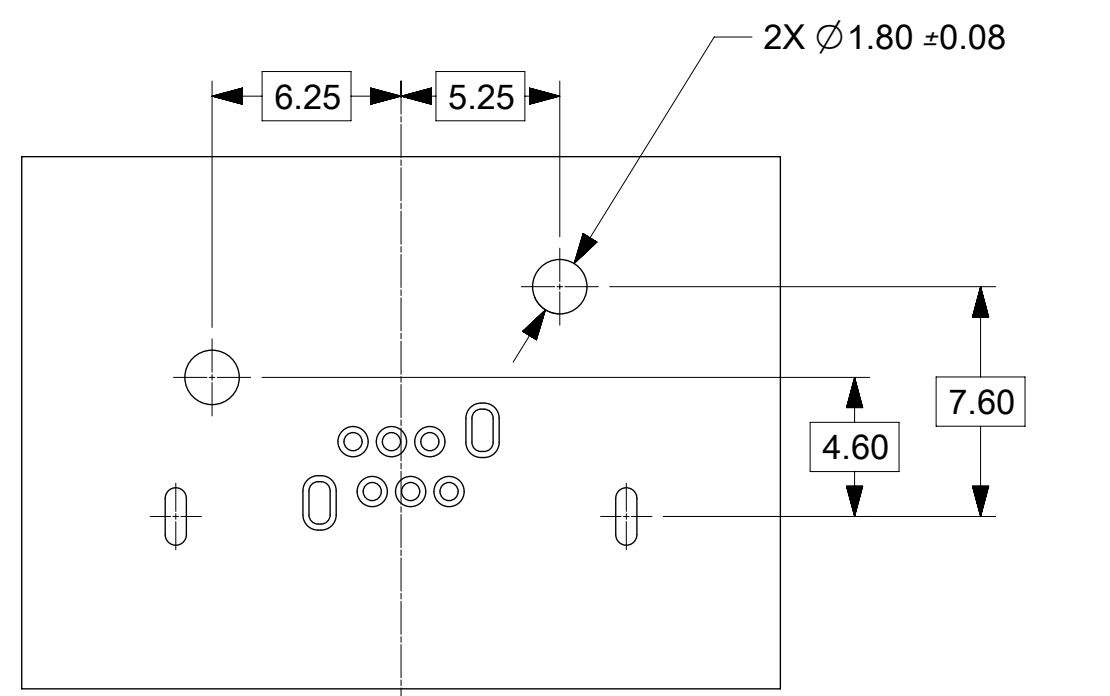
PCB KEYING
KEY OPTION 'A'



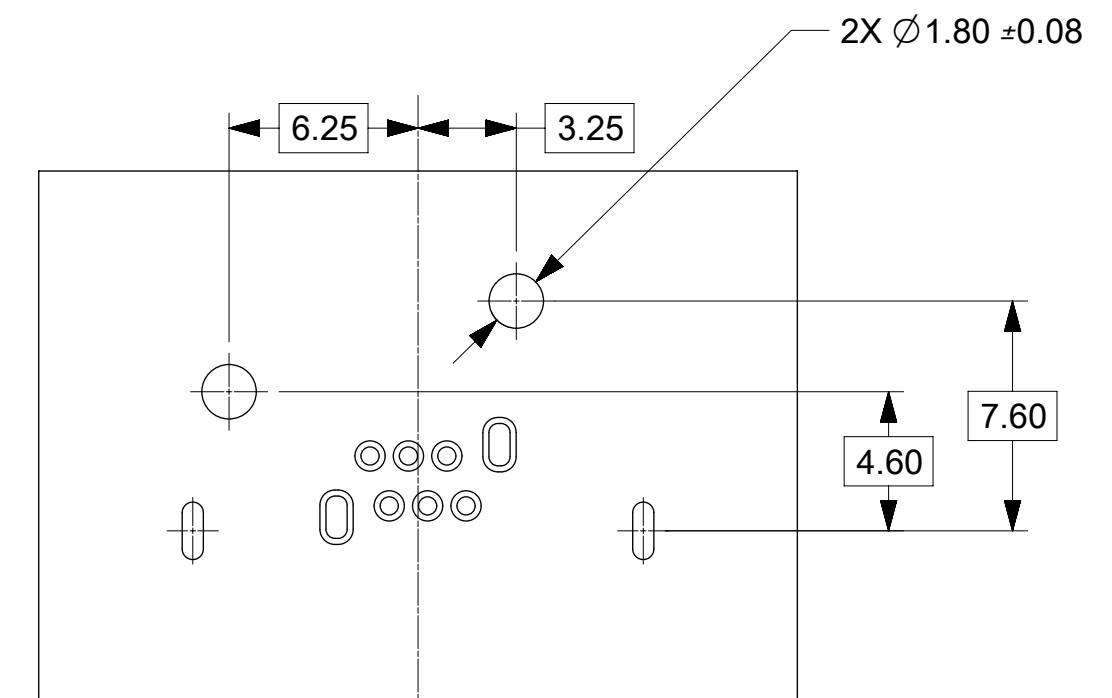
PCB KEYING
KEY OPTION 'B'



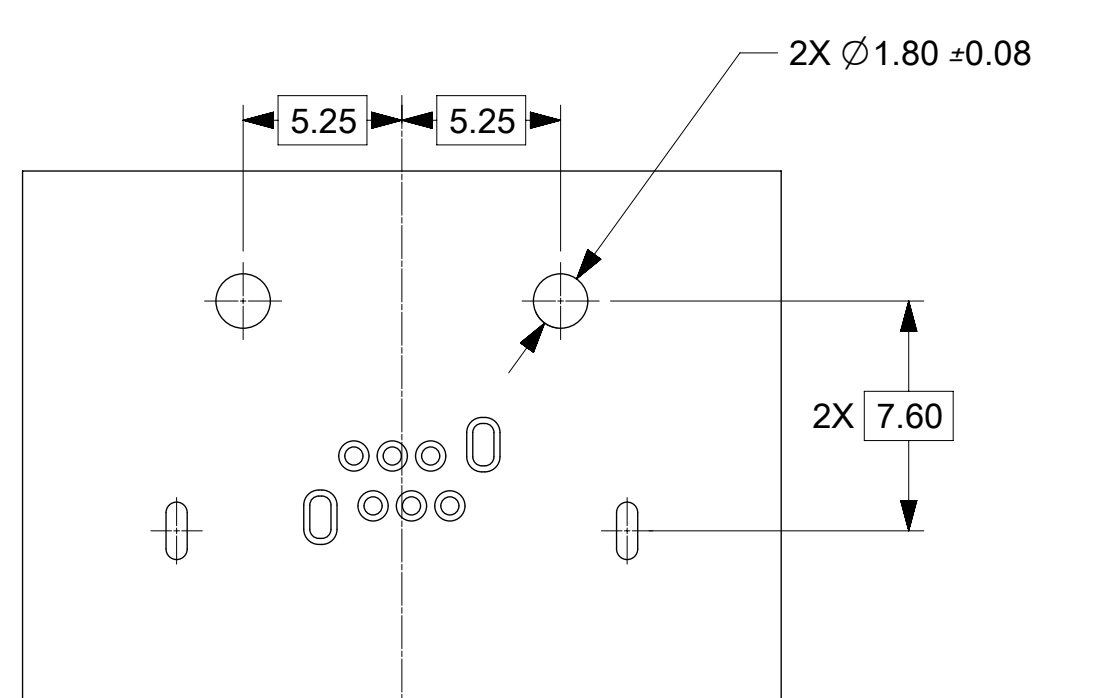
PCB KEYING
KEY OPTION 'C'



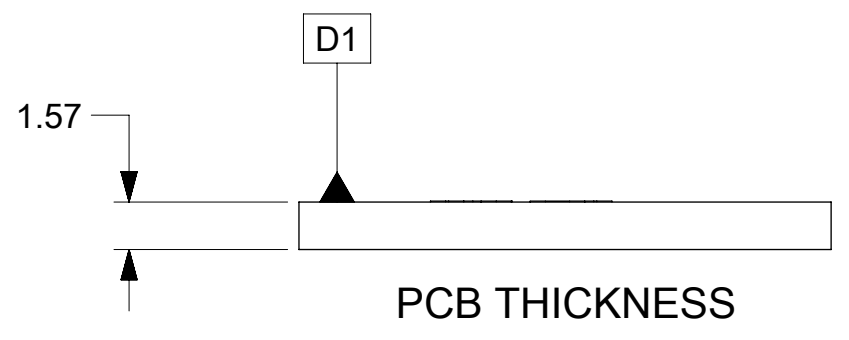
PCB KEYING
KEY OPTION 'D'



PCB KEYING
KEY OPTION 'E'



PCB KEYING
KEY OPTION 'F'



PCB THICKNESS

THIS DRAWING CONTAINS INFORMATION THAT IS PROPRIETARY TO MOLEX ELECTRONIC TECHNOLOGIES, LLC AND SHOULD NOT BE USED WITHOUT WRITTEN PERMISSION

EC NO: 173340 DRWN: HKASSAB CHKD: DNAYLIS REV APPR: DNAYLIS	2018/03/08	GENERAL TOLERANCES (UNLESS SPECIFIED)	DIMENSION UNITS	SCALE					
	2018/03/13	ANGULAR TOL ± 1.0 °	mm	4:1					
	2018/03/13	4 PLACES ±	DRWN BY	DATE		DGILKEY	2014/10/29		
		3 PLACES ±	CHKD BY	DATE		DGILKEY	2016/09/29		
		2 PLACES ± 0.13	APPR BY	DATE		JKNAUB	2014/12/19		
		1 PLACE ± 0.25	DRAFT WHERE APPLICABLE MUST REMAIN WITHIN DIMENSIONS	DRAWING SIZE		THIRD ANGLE PROJECTION			
	0 PLACES ±		D						
B1		DOCUMENT NUMBER SD-160064-1103		DOC TYPE PSD		DOC PART 000		SHEET NUMBER 5 OF 5	

6 CKT HSAUTOLINK II
VERTICAL UNSEALED HEADER ASSEMBLY

PRODUCT CUSTOMER DRAWING

SERIES: 160064 MATERIAL NUMBER: SEE TABLE CUSTOMER: GENERAL MARKET