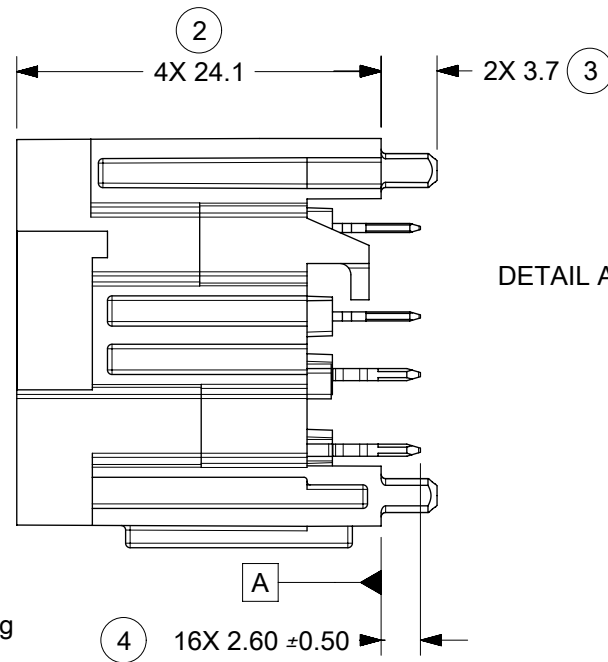
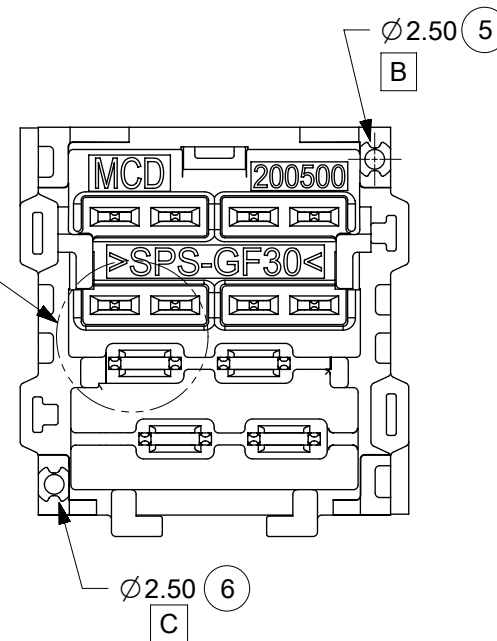


KEY 1
PART NO. 2005010121

SEE NOTE 3g

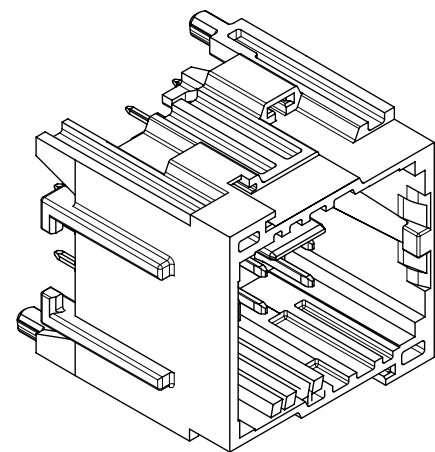


DETAIL A



PART NUMBER	KEY	COLOR	TERMINAL QUANTITIES	
			1.2mm	2.8mm
2005010121	1	BLACK	8	4
2005010122	2	GREEN		
2005010123	3	PURPLE		
2005010124	4	GRAY		

FOUR (4) KEYS AVAILABLE
SEE INTERFACE DRAWING
SD-160026-002 FOR DEFINITION



NOTES: VALID UNLESS OTHERWISE SPECIFIED

1. GENERAL:

- a. APPLICATION SPECIFICATION 2005060000-AS
- b. PRODUCT SPECIFICATION 2005060001-PS
CLASSIFICATIONS T1V1S1 TO GMW 3191 2012
DEGREE OF PROTECTION IP20 TO ISO 20653 WITH MOLEX MATING CONNECTOR
- c. PACKAGING SPECIFICATION PER MOLEX DRAWING

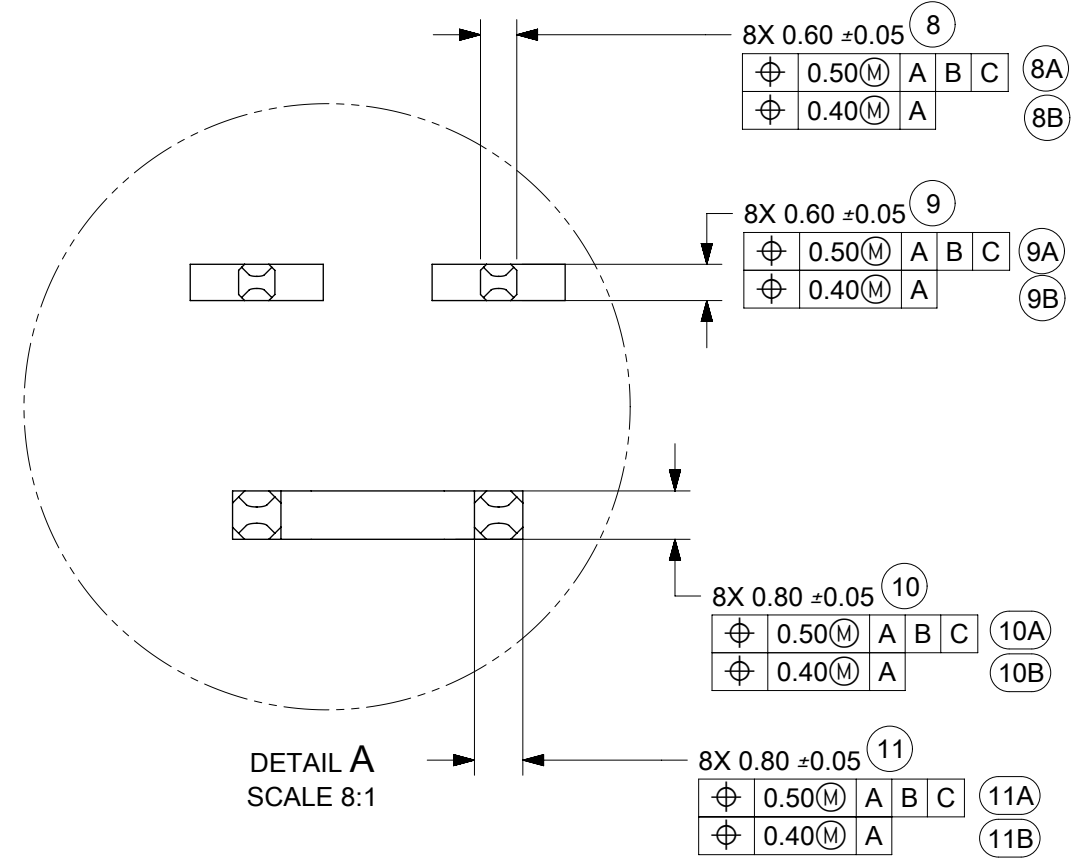
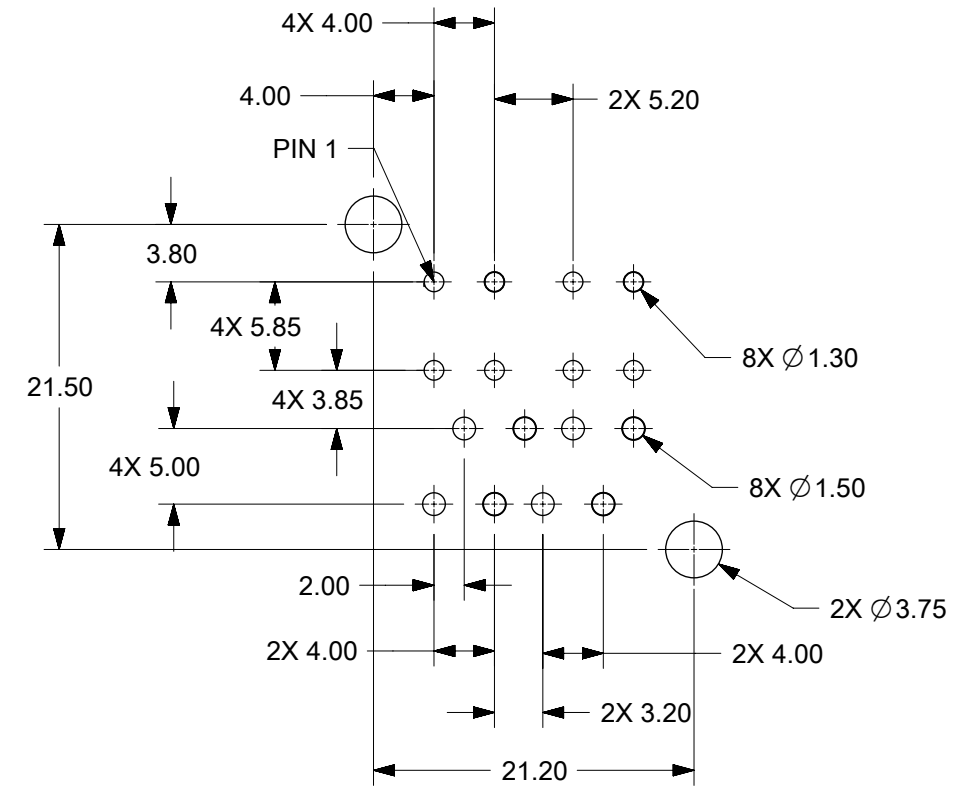
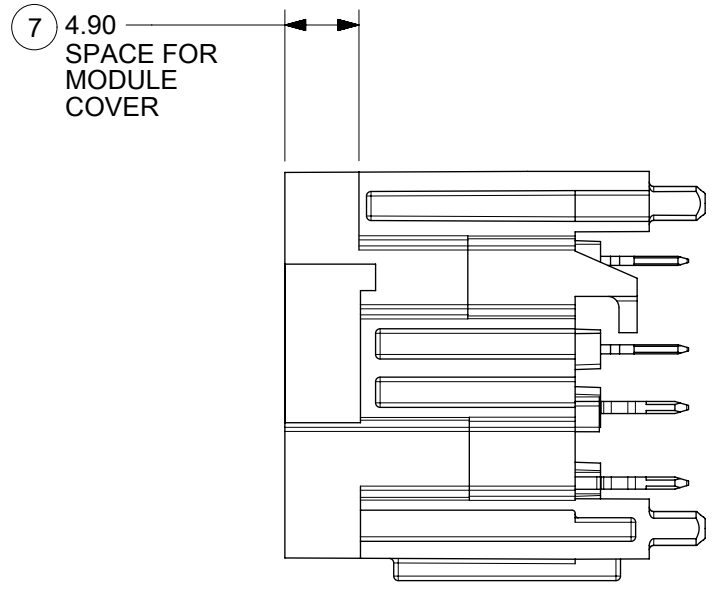
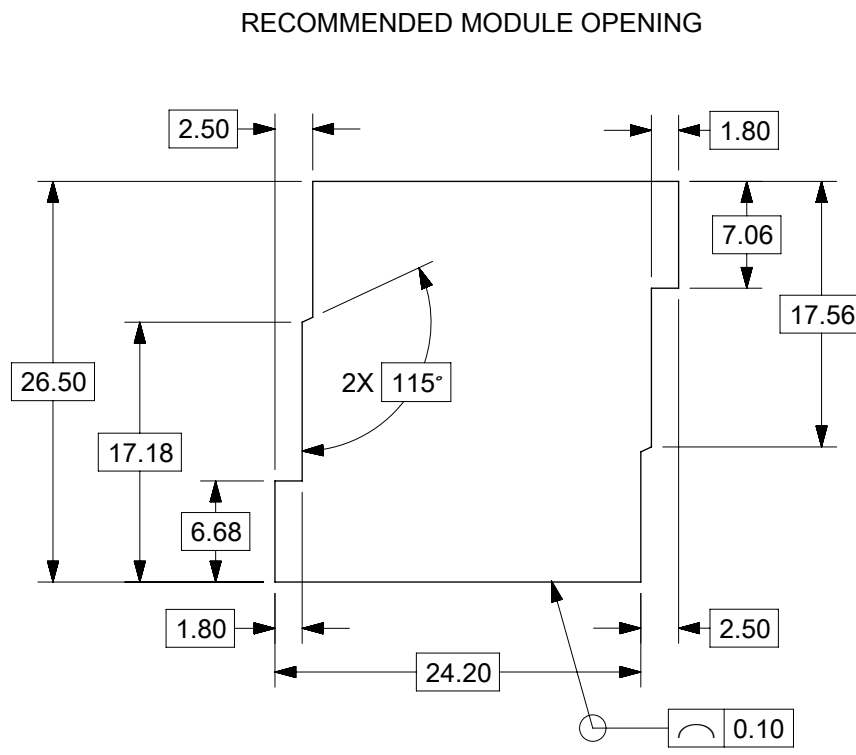
2. DESIGN - MATERIALS:

- a. HOUSING: SPS 30% GF
- b. BLADE TERMINALS:
 - 1. 0.5MM BLADES
BASE MATERIAL: COPPER ALLOY
CONDUCTIVITY ≥ 28% IACS @ 20°C
UNDERPLATE: OVERALL NICKEL
OVERPLATE: OVERALL TIN
 - 2. 1.2MM BLADES
BASE MATERIAL: COPPER ALLOY
CONDUCTIVITY ≥ 28% IACS @ 20°C
UNDERPLATE: OVERALL NICKEL
OVERPLATE: OVERALL TIN
 - 3. 2.8MM BLADES
BASE MATERIAL: COPPER ALLOY
CONDUCTIVITY ≥ 40% IACS @ 20°C
UNDERPLATE: OVERALL NICKEL
OVERPLATE: OVERALL TIN

3. DESIGN - GEOMETRY:

- a. ALL GRAPHIC DATA IS BASIC (NO TOLERANCE) AND MUST BE TAKEN FROM THE DATA FILE AT ITS LATEST REVISION.
 - b. PRODUCT DESIGN MODEL NUMBER 2005010120
 - c. GEOMETRIC DIMENSIONS AND TOLERANCES PER ASME Y14.5-2009
 - d. EDGES AND UNDIMENSIONED DETAILS PER ISO13715
 - e. CORNERS SHOWN AS SHARP TO BE R 0.4 MAX.
 - f. LETTERING SHALL BE MAX POSSIBLE FOR READABILITY.
THIS INCLUDES RECYCLING CODE, CAVITY ID, VENDOR IDENTIFICATION, AND CUSTOMER MATERIAL NUMBER.
 - g. FOR BAY/POCKET DEFINITION SEE MOLEX INTERFACE DRAWING SD-160026-002
 - h. MATING HARNESS CONNECTORS MOLEX PN:
 - 1600260001 (KEY 1)
 - 1600260002 (KEY 2)
 - 1600260003 (KEY 3)
 - 1600260004 (KEY 4)
4. DESIGN - MANUFACTURING:
- a. VISUAL DEFECTS SHALL MEET COSMETIC STANDARD PS-45499-002 (CLASS B)
 - b. REFLOW SOLDERABILITY PER SMES-152

QUALITY SYMBOLS	THIS DRAWING CONTAINS INFORMATION THAT IS PROPRIETARY TO MOLEX ELECTRONIC TECHNOLOGIES, LLC AND SHOULD NOT BE USED WITHOUT WRITTEN PERMISSION											
▽ = 0	EC NO: 602205 DRWN: JRUTTER CHK'D: JCONDON APPR: JCONDON INTERFACE UPDATE 2018/07/27 2018/08/01 2018/08/01	GENERAL TOLERANCES (UNLESS SPECIFIED)			DIMENSION UNITS		SCALE					
▽ = 0		ANGULAR TOL ± 0.5 °			mm		2:1					
▽ = 0		4 PLACES ± 0.0			DRWN BY		DATE					
▽ = 0		3 PLACES ± 0.0			JRUTTER		2015/06/26		STAK50H MOD HDR 12 VERT SOLDER			
▽ = 0		2 PLACES ± 0.13			CHK'D BY		DATE					
▽ = 0		1 PLACE ± 0.25			APPR BY		DATE		PRODUCT CUSTOMER DRAWING			
▽ = 0		0 PLACES ± 0.0			RBAUMAN		2016/08/22					
▽ = 0		DRAFT WHERE APPLICABLE MUST REMAIN WITHIN DIMENSIONS			DRAWING SIZE		THIRD ANGLE PROJECTION		SERIES	MATERIAL NUMBER		CUSTOMER
▽ = 0					B				200501	SEE CHART		
▽ = 0					C				DOCUMENT NUMBER		DOC TYPE	DOC PART
							2005011120SD		PSD	000	1 OF 2	



THIS DRAWING CONTAINS INFORMATION THAT IS PROPRIETARY TO MOLEX ELECTRONIC TECHNOLOGIES, LLC AND SHOULD NOT BE USED WITHOUT WRITTEN PERMISSION										
QUALITY SYMBOLS	EC NO: 602205 DRWN: JRUTTER CHK'D: JCONDON APPR: JCONDON	GENERAL TOLERANCES (UNLESS SPECIFIED)			DIMENSION UNITS	SCALE				
		ANGULAR TOL ± 0.5 °			mm	1:1				
▽ = 0	INTERFACE UPDATE	4 PLACES	± 0.0	DRWN BY	DATE					
▽ = 0		3 PLACES	± 0.0	JRUTTER	2015/06/26					
▽ = 0		2 PLACES	± 0.13	CHK'D BY	DATE					
▽ = 0		1 PLACE	± 0.25	APPR BY	DATE	PRODUCT CUSTOMER DRAWING				
▽ = 0		0 PLACES	± 0.0	RBAUMAN	2016/08/22	SERIES	MATERIAL NUMBER	CUSTOMER		
▽ = 0			DRAFT WHERE APPLICABLE MUST REMAIN WITHIN DIMENSIONS		DRAWING SIZE	THIRD ANGLE PROJECTION				
▽ = 0				B						
						200501	SEE CHART			
						DOCUMENT NUMBER		DOC TYPE	DOC PART	SHEET NUMBER
						2005011120SD		PSD	000	2 OF 2