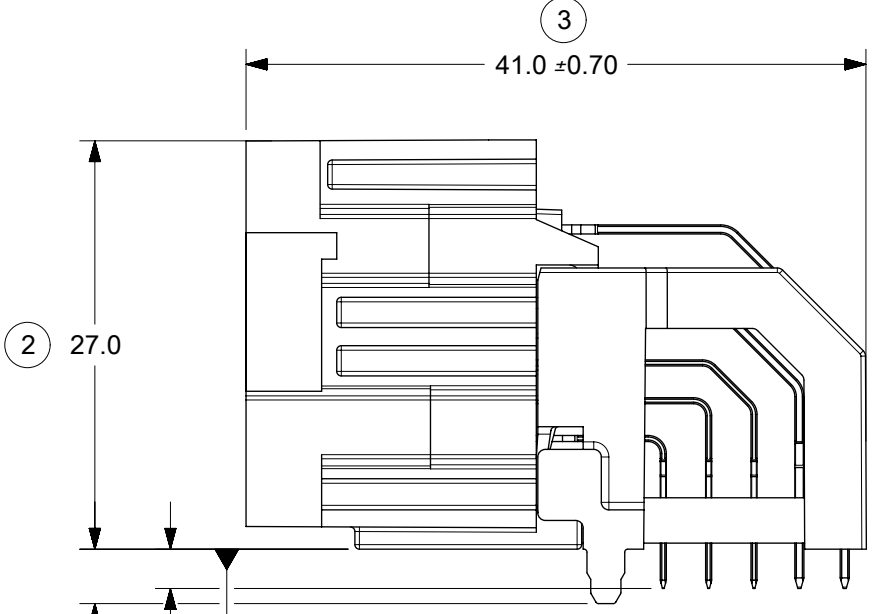


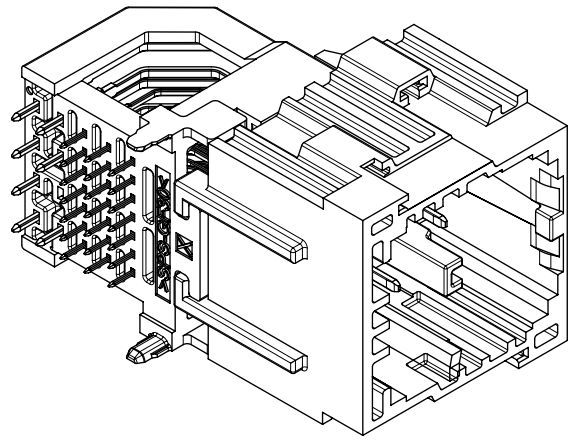
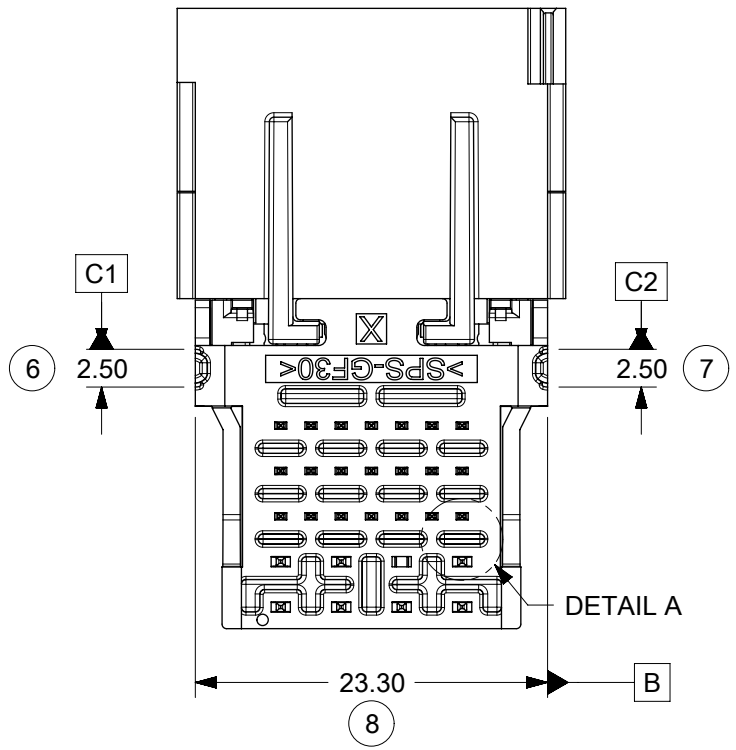
KEY 1
PART NO. 2005020281



- 5 2X 3.60
- 4 28X 2.60 ± 0.50

| PART NUMBER | KEY | COLOR | TERMINAL QUANTITIES | |
|-------------|-----|-----------|---------------------|-------|
| | | | 0.5mm | 1.2mm |
| 2005020281 | 1 | DARK GRAY | 21 | 7 |
| 2005020282 | 2 | GREEN | | |
| 2005020283 | 3 | GRAY | | |
| 2005020284 | 4 | BLACK | | |

FOUR (4) KEYS AVAILABLE
SEE INTERFACE DRAWING
SD-160014-002 FOR DEFINITION



NOTES: VALID UNLESS OTHERWISE SPECIFIED

1. GENERAL:
 - a. APPLICATION SPECIFICATION: 2005060000-AS
 - b. PRODUCT SPECIFICATION: 2005060001-PS
CLASSIFICATIONS T1V1S1 TO GMW 3191 2012
DEGREE OF PROTECTION IP40 TO ISO 20653 WITH MOLEX MATING CONNECTOR
 - c. PACKAGING SPECIFICATION PER MOLEX DRAWING

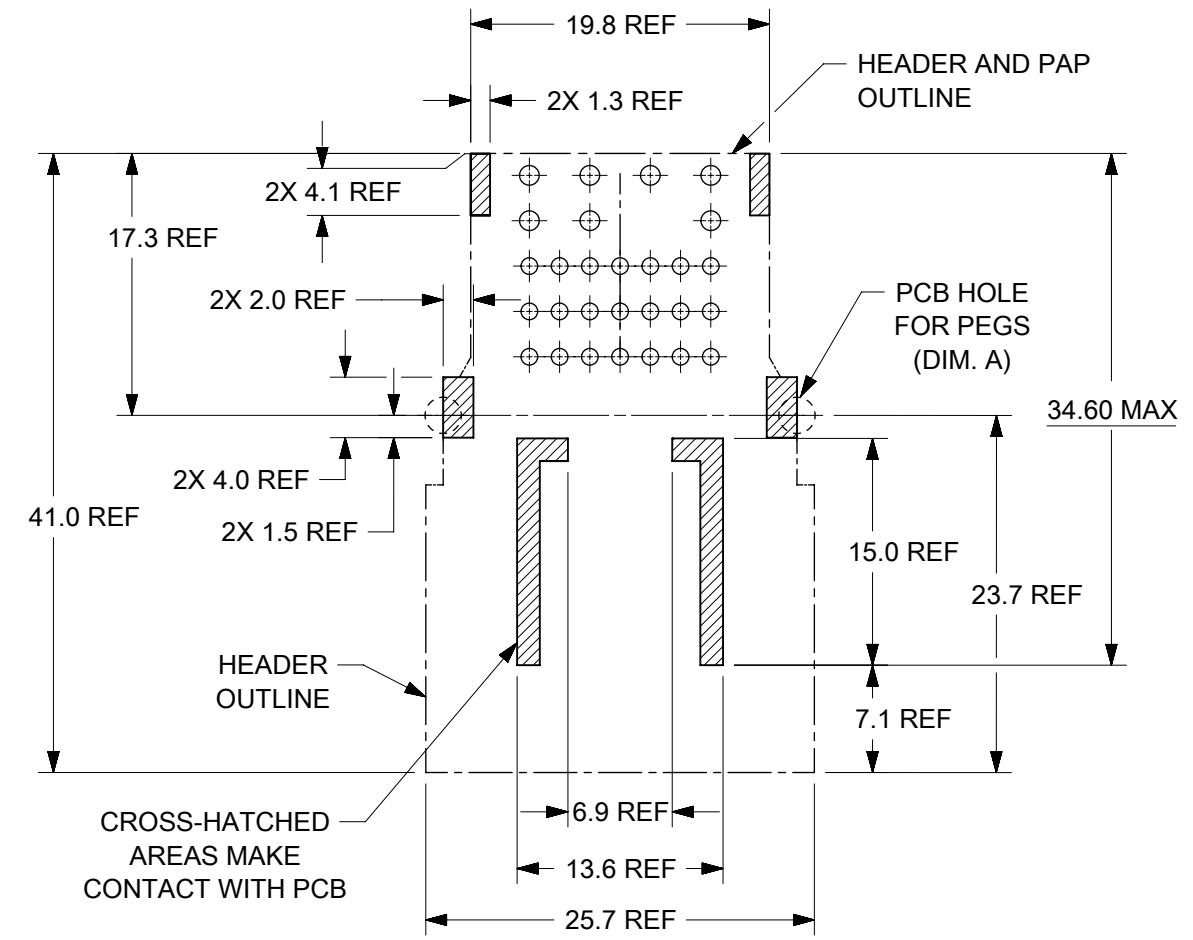
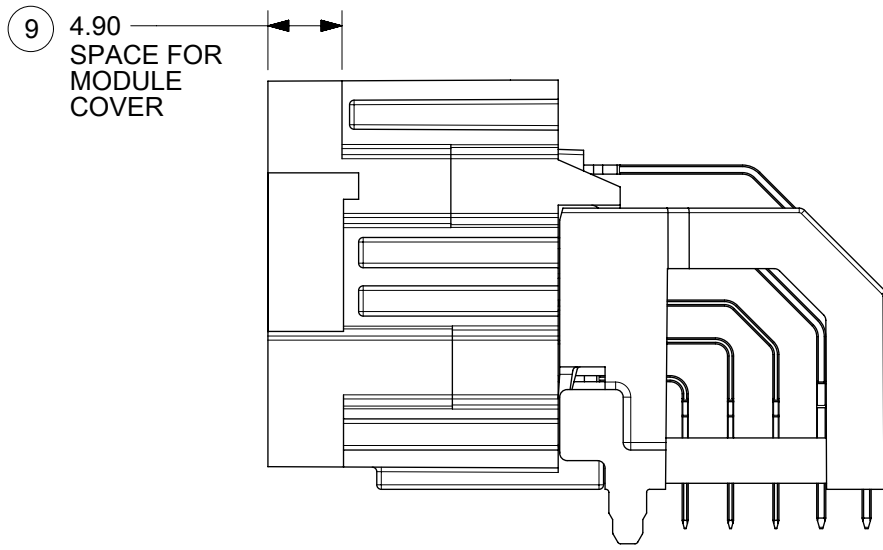
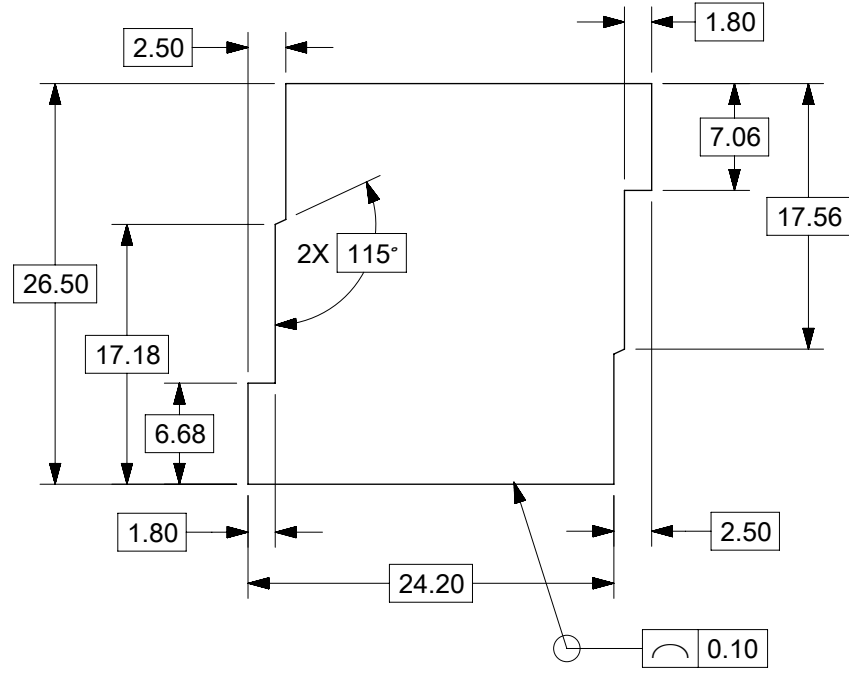
2. DESIGN - MATERIALS:
 - a. HOUSING: SPS 30% GF
 - b. BLADE TERMINALS:
 1. 0.5MM BLADES
BASE MATERIAL: COPPER ALLOY
CONDUCTIVITY ≥ 28% IACS @ 20°C
UNDERPLATE: OVERALL NICKEL
OVERPLATE: OVERALL TIN
 2. 1.2MM BLADES
BASE MATERIAL: COPPER ALLOY
CONDUCTIVITY ≥ 28% IACS @ 20°C
UNDERPLATE: OVERALL NICKEL
OVERPLATE: OVERALL TIN

3. DESIGN - GEOMETRY:
 - a. ALL GRAPHIC DATA IS BASIC (NO TOLERANCE) AND MUST BE TAKEN FROM THE DATA FILE AT ITS LATEST REVISION.
 - b. PRODUCT DESIGN MODEL NUMBER 2005020280
 - c. GEOMETRIC DIMENSIONS AND TOLERANCES PER ASME Y14.5-2009
 - d. EDGES AND UNDIMENSIONED DETAILS PER ISO13715
 - e. CORNERS SHOWN AS SHARP TO BE R 0.4 MAX.
 - f. LETTERING SHALL BE MAX POSSIBLE FOR READABILITY.
THIS INCLUDES RECYCLING CODE, CAVITY ID, VENDOR IDENTIFICATION, AND CUSTOMER MATERIAL NUMBER.
 - g. FOR BAY/POCKET DEFINITION SEE MOLEX INTERFACE DRAWING SD-160014-002
 - h. MATING HARNESS CONNECTORS MOLEX PN:
 - 1600140001 (KEY 1)
 - 1600140002 (KEY 2)
 - 1600140003 (KEY 3)
 - 1600140004 (KEY 4)

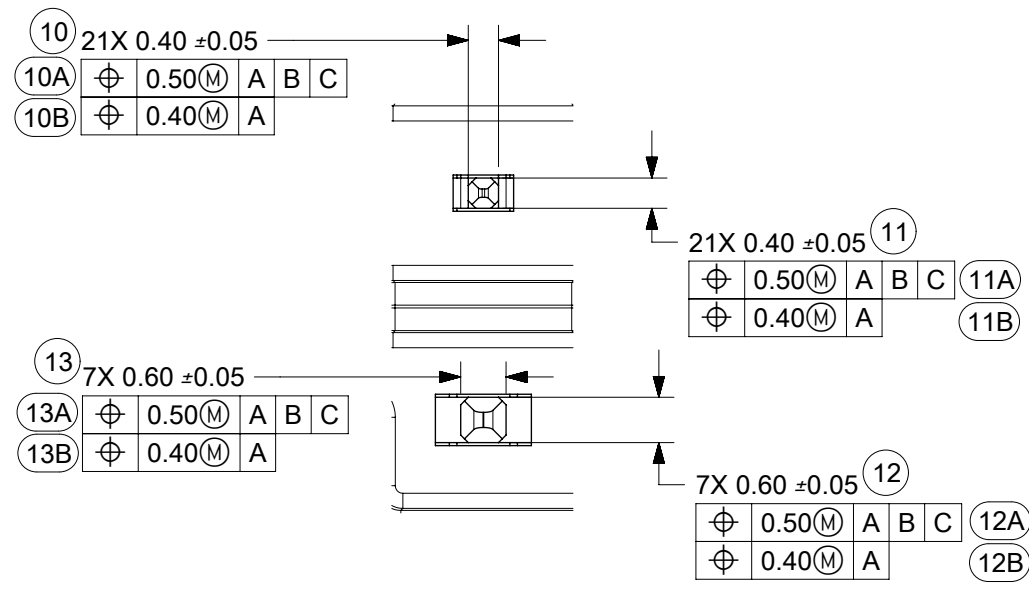
4. DESIGN - MANUFACTURING:
 - a. VISUAL DEFECTS SHALL MEET COSMETIC STANDARD PS-45499-002 (CLASS B)
 - b. REFLOW SOLDERABILITY PER SMES-152

| | | | | | | | | | |
|---|---------------------|---|---------|------------|--------------------------|----------|----------|--------------|-----------|
| THIS DRAWING CONTAINS INFORMATION THAT IS PROPRIETARY TO MOLEX ELECTRONIC TECHNOLOGIES, LLC AND SHOULD NOT BE USED WITHOUT WRITTEN PERMISSION | | | | | | | | | |
| DIMENSION UNITS mm | SCALE 2:1 | CURRENT REV DESC: PCB CONTACT AREA DET | | | molex | | | | |
| GENERAL TOLERANCES (UNLESS SPECIFIED) | | EC NO: 609669 | | | | | | | |
| ANGULAR TOL | ± 0.5° | DRWN: | ABABU01 | 2018/12/13 | | | | | |
| 4 PLACES | ± 0.0 | CHK'D: | JCONDON | 2018/12/27 | | | | | |
| 3 PLACES | ± 0.0 | APPR: | JCONDON | 2018/12/27 | | | | | |
| 2 PLACES | ± 0.13 | INITIAL REVISION: | | | PRODUCT CUSTOMER DRAWING | | | | |
| 1 PLACE | ± 0.25 | DRWN: | JRUTTER | 2015/05/27 | DOCUMENT NUMBER | | DOC TYPE | DOC PART | REVISION |
| 0 PLACES | ± 0.0 | APPR: | RBAUMAN | 2016/08/22 | 2005021280SD | | PSD | 000 | C1 |
| DRAFT WHERE APPLICABLE MUST REMAIN WITHIN DIMENSIONS | | THIRD ANGLE PROJECTION | DRAWING | SERIES | MATERIAL NUMBER | CUSTOMER | | SHEET NUMBER | |
| | | | B-SIZE | 200502 | SEE CHART | | | 1 OF 2 | |

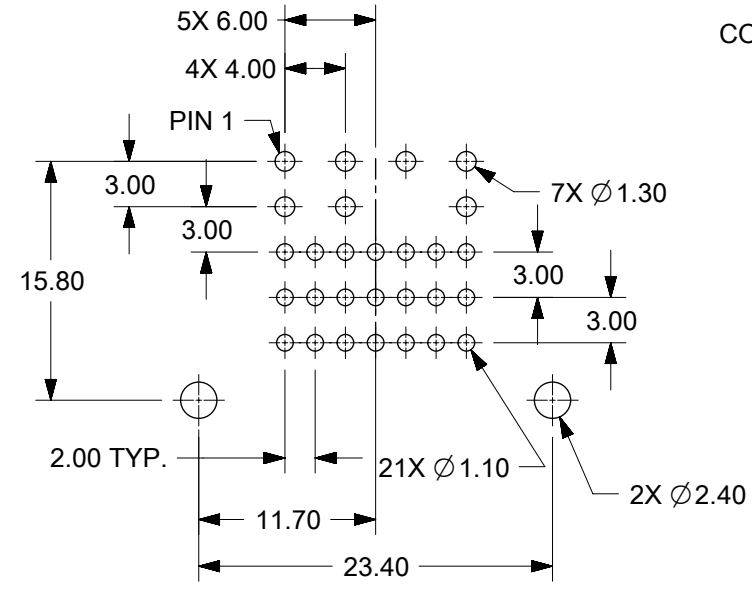
RECOMMENDED MODULE OPENING
TO PASS ISO 20653 IP40



HEADER OUTLINE AND
PCB - HEADER CONTACT AREAS
FOR REFERENCE ONLY



DETAIL A
SCALE 10:1



PCB LAYOUT
FOR REFERENCE

| POST HOLE FIT | DIM C |
|---------------|----------|
| PRESS FIT | 2.40 |
| DROP IN | 2.90 MIN |

THIS DRAWING CONTAINS INFORMATION THAT IS PROPRIETARY TO MOLEX ELECTRONIC TECHNOLOGIES, LLC AND SHOULD NOT BE USED WITHOUT WRITTEN PERMISSION

| | | | | | |
|--|--------|--|--------------------------------------|----------|----------|
| DIMENSION UNITS | SCALE | CURRENT REV DESC: PCB CONTACT AREA DET | molex | | |
| mm | 1:1 | | | | |
| GENERAL TOLERANCES (UNLESS SPECIFIED) | | | STAK50H MOD HDR 28 RA SINGLE BAY ASM | | |
| ANGULAR TOL | ± 0.5° | EC NO: 609669 | PRODUCT CUSTOMER DRAWING | | |
| 4 PLACES | ± 0.0 | DRWN: ABABU01 2018/12/13 | DOCUMENT NUMBER | | |
| 3 PLACES | ± 0.0 | CHK'D: JCONDON 2018/12/27 | 2005021280SD | | |
| 2 PLACES | ± 0.13 | APPR: JCONDON 2018/12/27 | DOC TYPE | DOC PART | REVISION |
| 1 PLACE | ± 0.25 | INITIAL REVISION: | PSD | 000 | C1 |
| 0 PLACES | ± 0.0 | DRWN: JRUTTER 2015/05/27 | MATERIAL NUMBER | | |
| DRAFT WHERE APPLICABLE MUST REMAIN WITHIN DIMENSIONS | | | CUSTOMER | | |
| THIRD ANGLE PROJECTION | | | SHEET NUMBER | | |
| DRAWING | | | 2 OF 2 | | |
| B-SIZE | | | SERIES | | |
| 200502 | | | SEE CHART | | |