

# KEY OPTION

BLACK

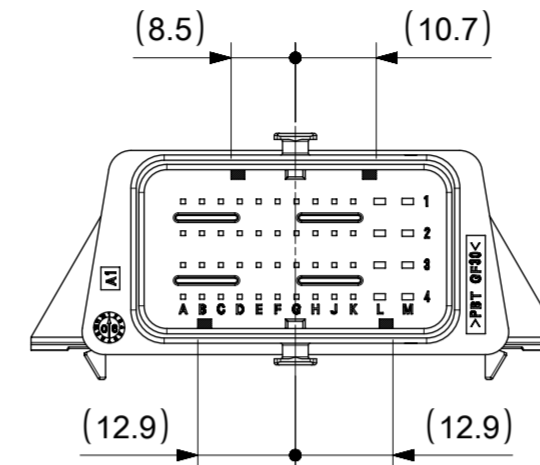
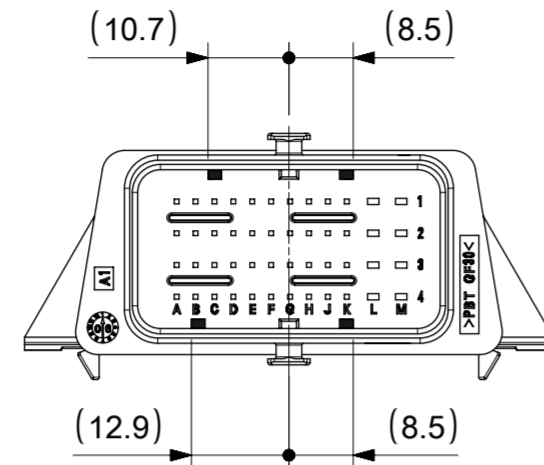
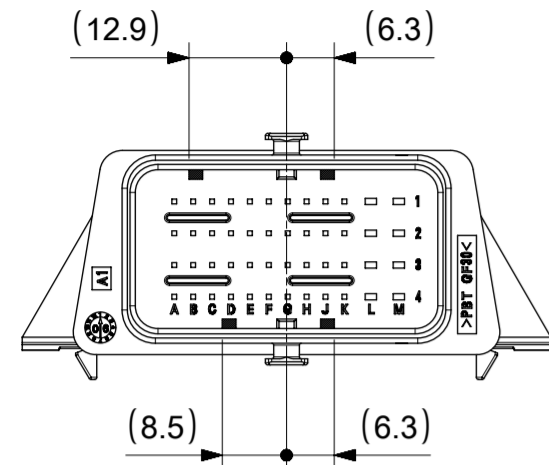
GRAY

BROWN

500762-0481 / 500762-0581

500762-0482 / 500762-0582

500762-0483 / 500762-0583



## NOTES

- PLASTIC MATERIAL:  
HOUSING: PBT.GF30% BLACK (KEY OPTION: BLACK AND BROWN)  
PBT.GF30% GRAY (KEY OPTION: GRAY)  
GUIDE PLATE: PBT.GF30% BLACK
- PIN 0.64 / 025 :  
- FOR P/N 500762-048x :  
MATERIAL : PRE-PLATED BRASS C26000 3/4H  
PLATING : Sn OVER Ni ON BOTH MATE END AND PCB END  
  
- FOR P/N 500762-058x :  
MATERIAL : BRASS C26000 3/4H  
PLATING : Au OVER Ni ON MATE END  
Sn OVER Ni ON PCB END
- PIN 1.50 / 060 :  
- MATERIAL : BRASS C26000 3/4H  
- PLATING : Sn OVER Ni ON BOTH MATE END AND PCB END
- RECOMMENDED P.C.B THICKNESS: 1.6±0.1 mm
- PRODUCT SPECIFICATION: REFER TO PS-64319-001

## APPLICABLE CONNECTORS

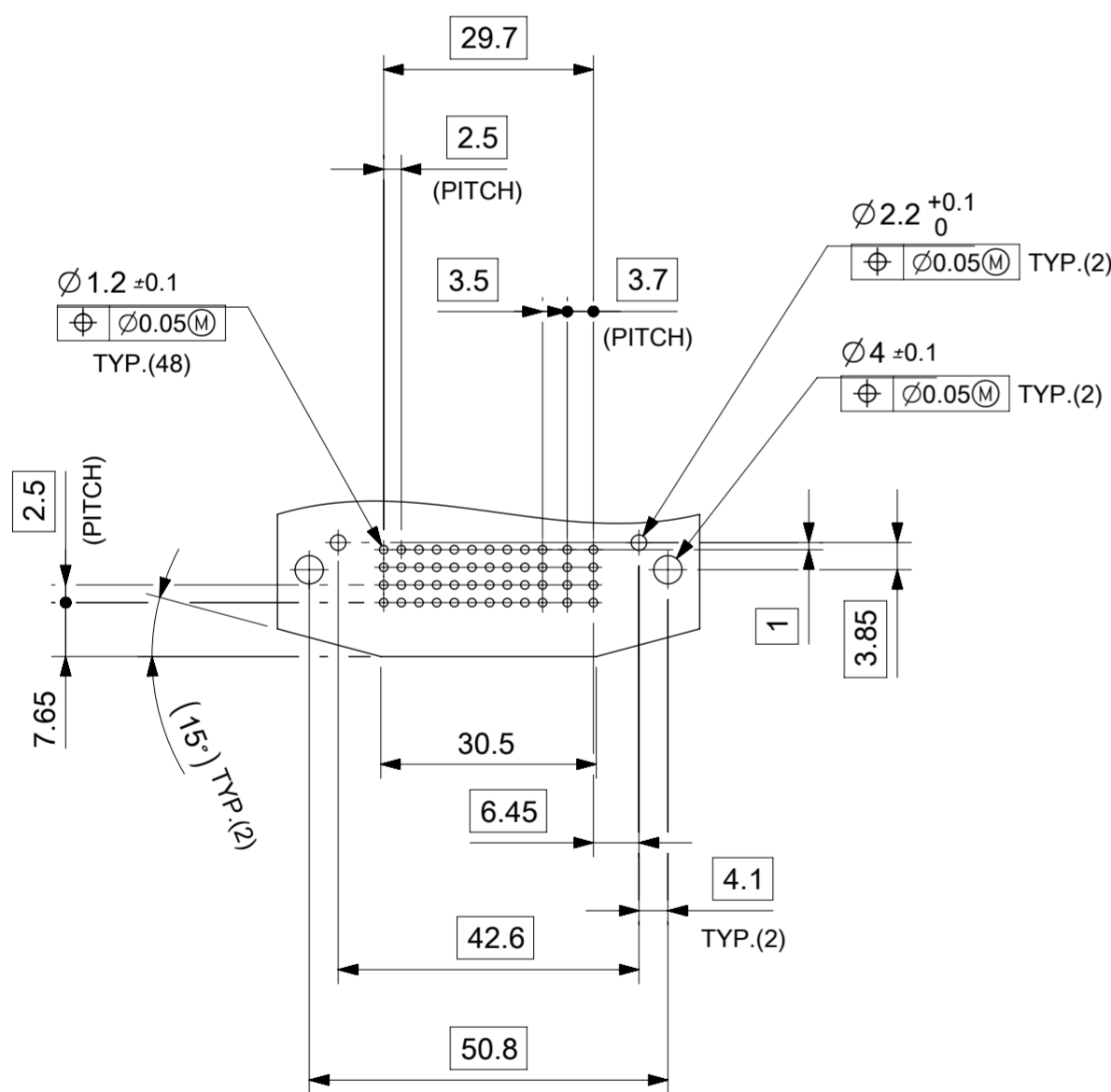
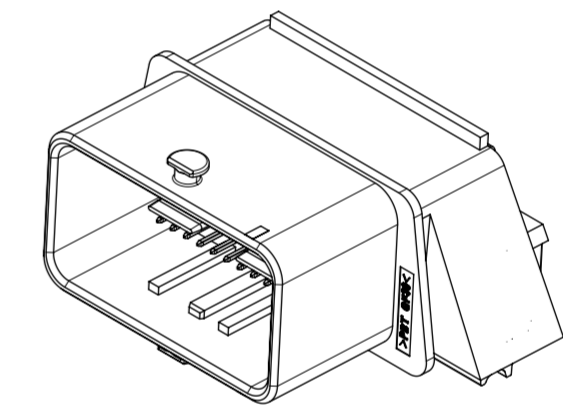
BROWN	64320-1319	64320-2319	64320-3319	64320-4319
GRAY	64320-1318	Not Tooled	64320-3318	Not Tooled
BLACK	64320-1311	64320-2311	64320-3311	64320-4311
KEY OPTION	CMC 48CKT LEFT	CMC 36CKT LEFT	CMC 48CKT RIGHT	CMC 36CKT RIGHT
LEFT / RIGHT PER CONNECTOR DEFINITION				

## HEADER P/N TABLE

BROWN	500762-0483	500762-0583
GRAY	500762-0482	500762-0582 ( Not Tooled )
BLACK	500762-0481	500762-0581 ( Not Tooled )
KEY OPTION	0.64 / 025 Sn PLATED	0.64 / 025 Au PLATED
MATERIAL NO.		

## GENERAL TOLERANCES ( UNLESS SPECIFIED )

10 UNDER	±0.2
10 OVER 30 UNDER	±0.25
30 OVER	±0.3
ANGULAR	±2°
DRAFT WHERE APPLICABLE MUST REMAIN WITHIN DIMENSIONS	



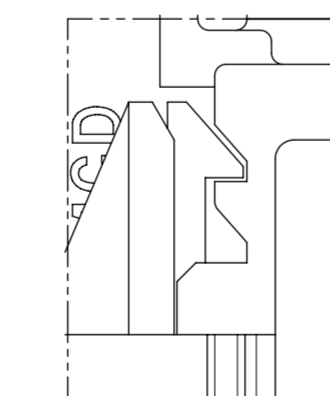
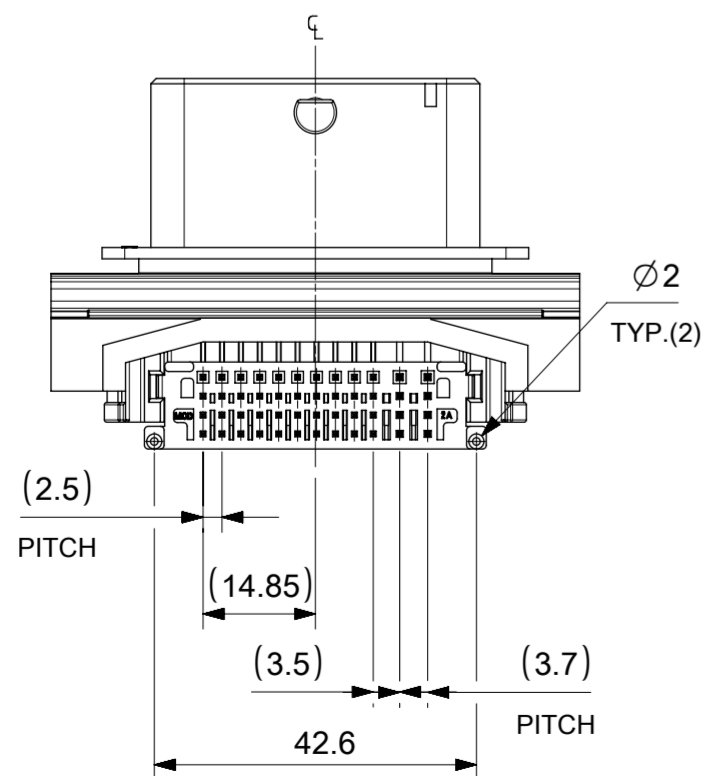
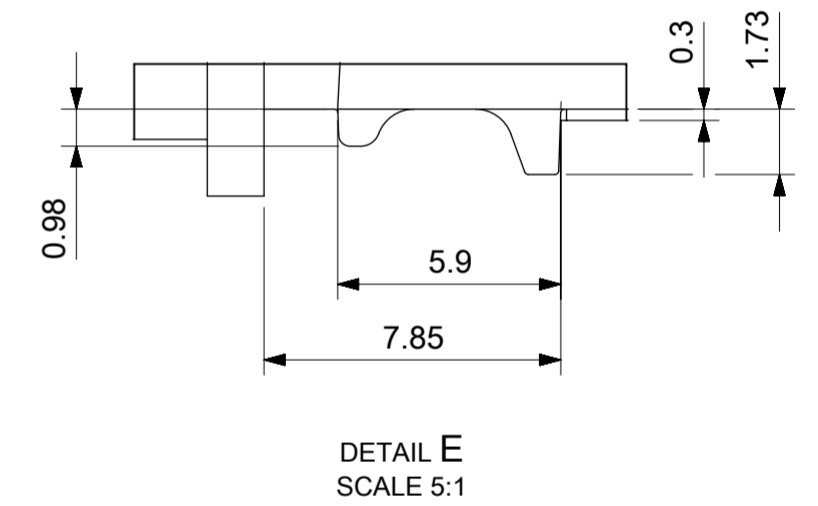
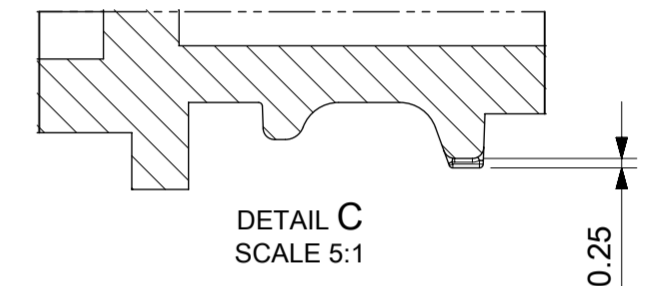
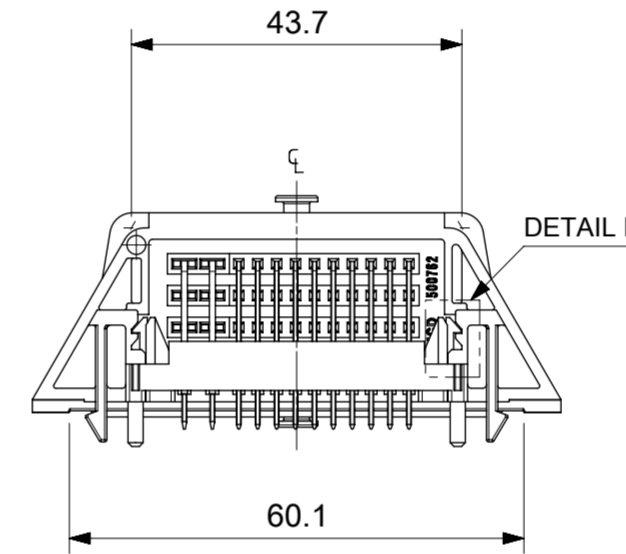
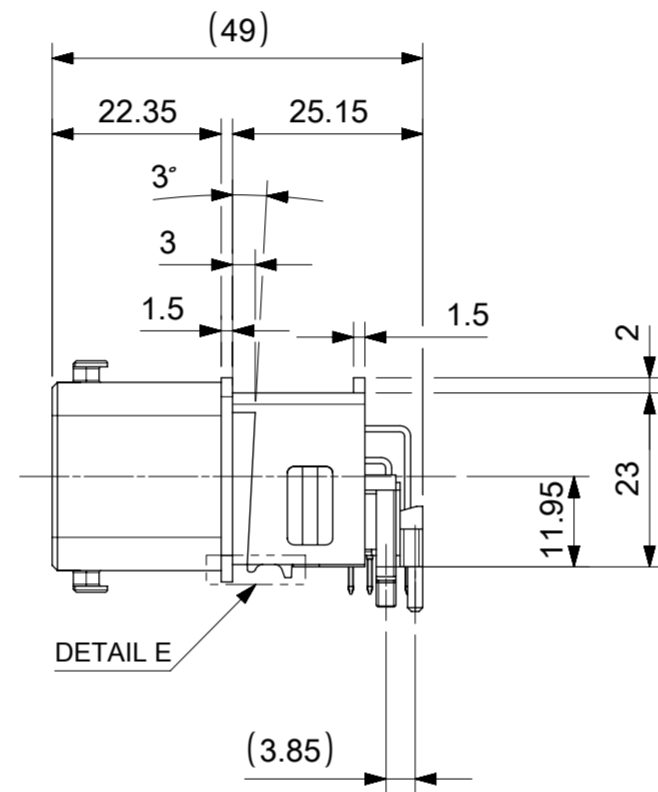
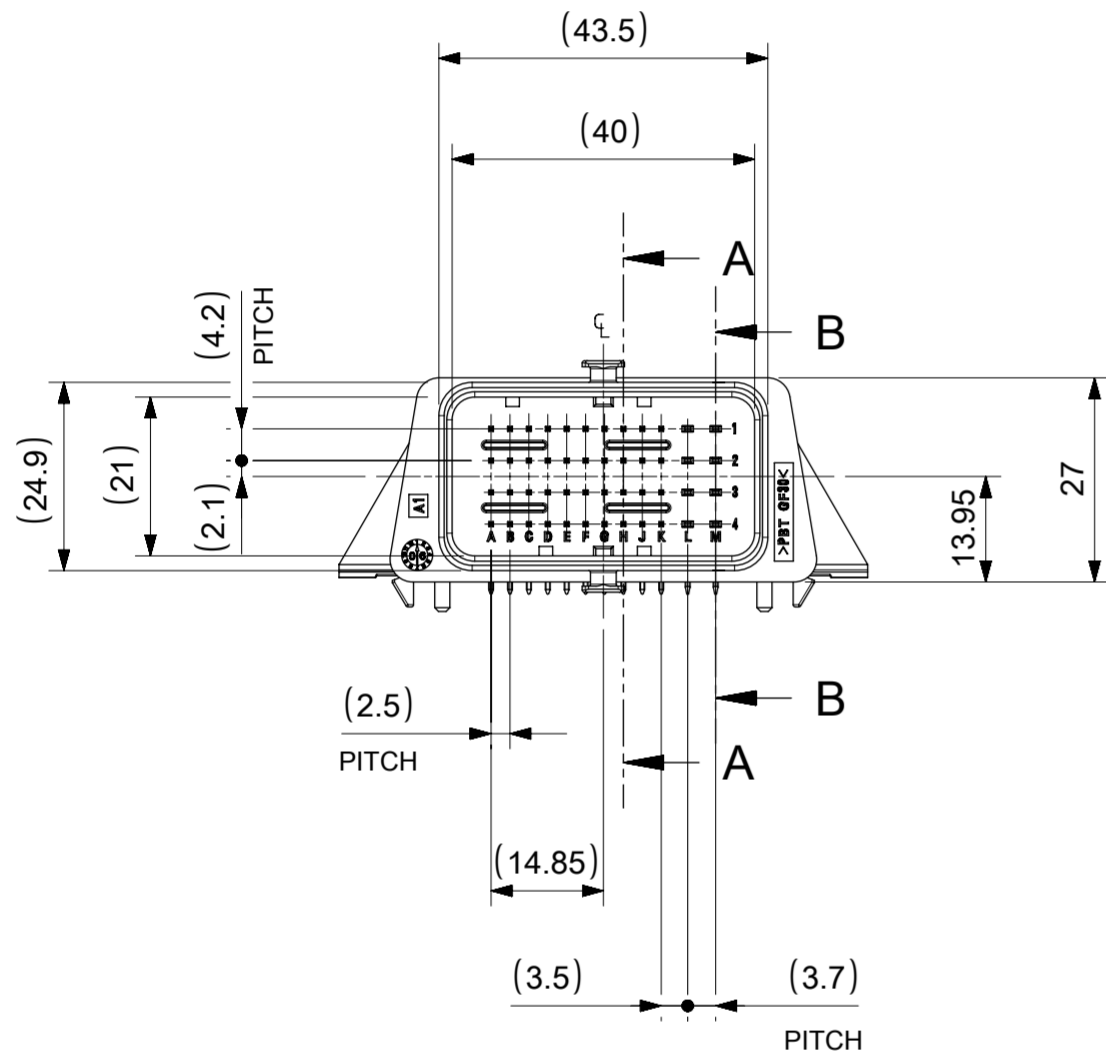
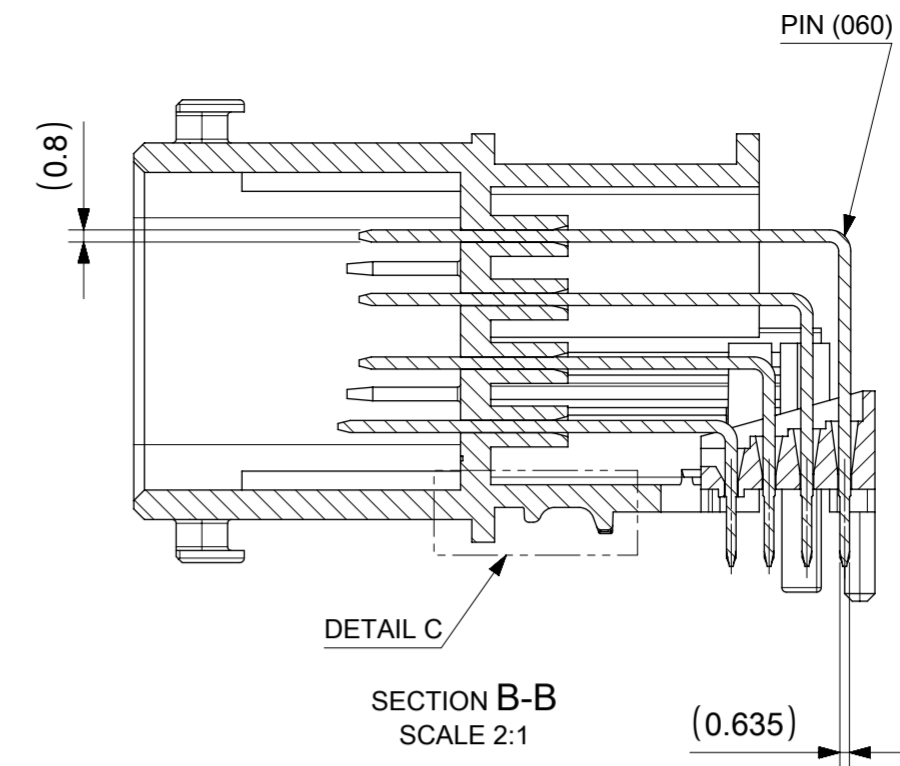
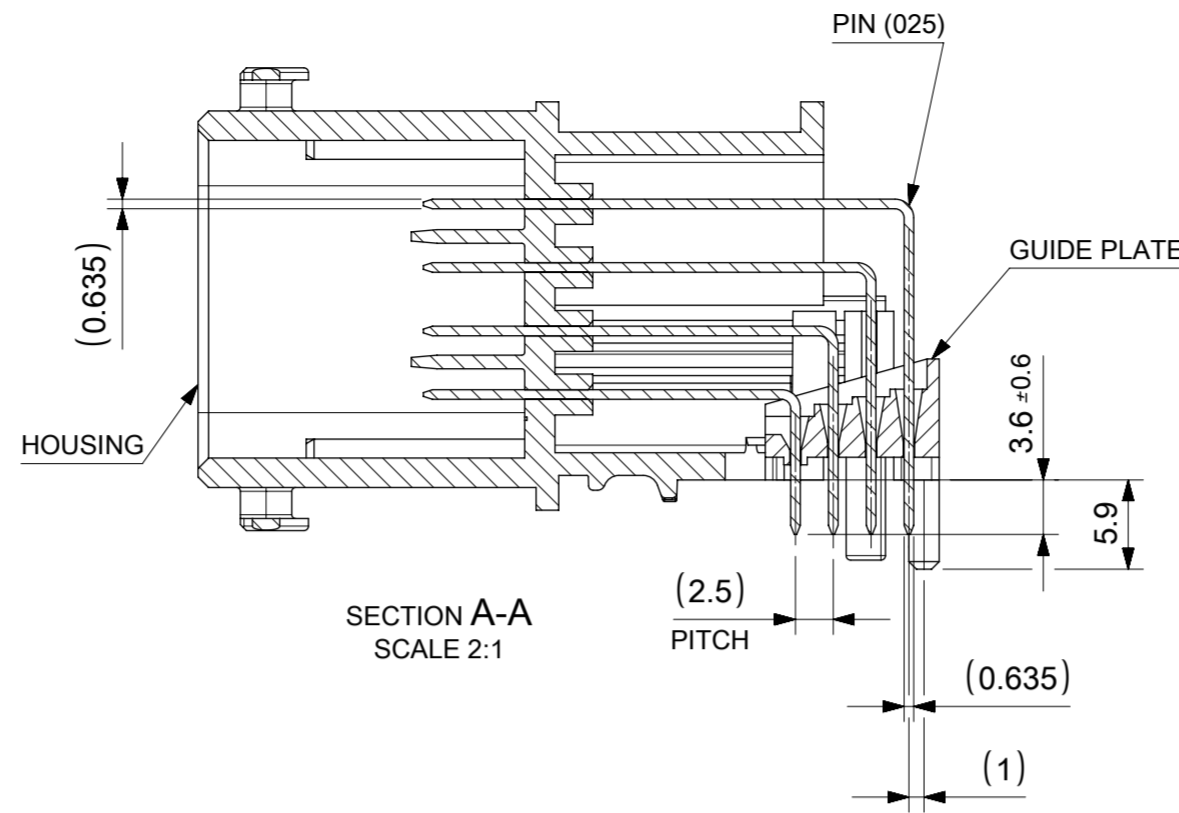
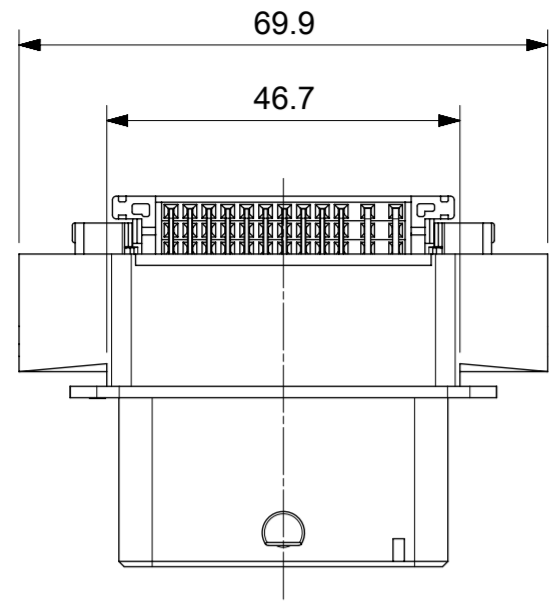
RECOMMENDED PCB LAYOUT (COMPONENT SIDE)

627745	C1	REMOVE PAP INITIAL POSITION VIEW
621586	C	ADDING P/N -0581 TO -0583
JTR2016-0064 /10760248	B	ADDED KEY OPTION GRAY(500762-0482) D-6, C-1 CHANGED NOTES 1 FOR MATERIAL
JTR2014-0026 /10638694	A	ADDED KEY OPTION BROWN(500762-0483) B-10, C-1
JTR2009-0026 /10379065	0	INITIAL RELEASE
EC#	VERSION	DESCRIPTION

## MODIFICATION LOG

THIS DRAWING CONTAINS INFORMATION THAT IS PROPRIETARY TO MOLEX ELECTRONIC TECHNOLOGIES, LLC AND SHOULD NOT BE USED WITHOUT WRITTEN PERMISSION

DIMENSION UNITS <b>mm</b>	SCALE <b>1:1</b>	CURRENT REV DESC: ADD P/N -0581 TO -0583 (SAME AS INTERNAL REVISION C). REMOVE INITIAL STATE VIEW. .			
GENERAL TOLERANCES (UNLESS SPECIFIED)		EC NO: 627745			
ANGULAR TOL ± 2.0°	4 PLACES ±	DRWN: GMANIVANNAN 2019/08/14	PRODUCT CUSTOMER DRAWING		
3 PLACES ±	3 PLACES ±	CHK'D: HWBAI 2019/11/15	DOCUMENT NUMBER		
2 PLACES ±	2 PLACES ±	APPR: JDENG02 2019/11/22	DOC TYPE   DOC PART   REVISION		
1 PLACES ±	1 PLACES ±	INITIAL REVISION:	SD-500762-001		
0 PLACES ±	0 PLACES ±	DRWN: H. TANAKA 2006/5/22	PSD 001 C1		
DRAFT WHERE APPLICABLE MUST REMAIN WITHIN DIMENSIONS	THIRD ANGLE PROJECTION	APPR: A. KANESHIGE 2006/5/22	MATERIAL NUMBER	CUSTOMER	SHEET NUMBER
			SEE TABLE	GENERAL MARKET	1 OF 2



P.C.B MOUNTING STATE  
DELIVERY POSITION

GUIDE PLATE POSITION

DETAIL D  
SCALE 5:1

THIS DRAWING CONTAINS INFORMATION THAT IS PROPRIETARY TO MOLEX ELECTRONIC TECHNOLOGIES, LLC AND SHOULD NOT BE USED WITHOUT WRITTEN PERMISSION

DIMENSION UNITS <b>mm</b>	SCALE <b>1:1</b>	CURRENT REV DESC: ADD P/N -0581 TO -0583 (SAME AS INTERNAL REVISION C). REMOVE INITIAL STATE VIEW.	<b>molex</b>			
GENERAL TOLERANCES (UNLESS SPECIFIED)	ANGULAR TOL ± 2.0°	EC NO: 627745				
4 PLACES ±	3 PLACES ±	DRWN: GMANIVANNAN 2019/08/14	PRODUCT CUSTOMER DRAWING			
2 PLACES ±	1 PLACES ±	CHK'D: HWBAI 2019/11/15	DOCUMENT NUMBER	DOC TYPE	DOC PART	REVISION
0 PLACES ±		APPR: JDENG02 2019/11/22	<b>SD-500762-001</b>	PSD	001	<b>C1</b>
DRAFT WHERE APPLICABLE MUST REMAIN WITHIN DIMENSIONS	THIRD ANGLE PROJECTION	INITIAL REVISION: DRWN: H.TANAKA 2006/5/22 APPR: A.KANESHIGE 2006/5/22	MATERIAL NUMBER	CUSTOMER	SHEET NUMBER	
			SEE TABLE	GENERAL MARKET	2 OF 2	