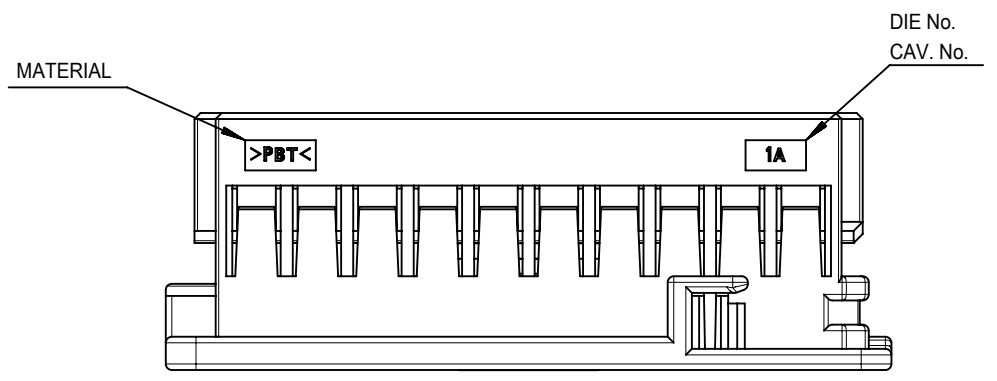
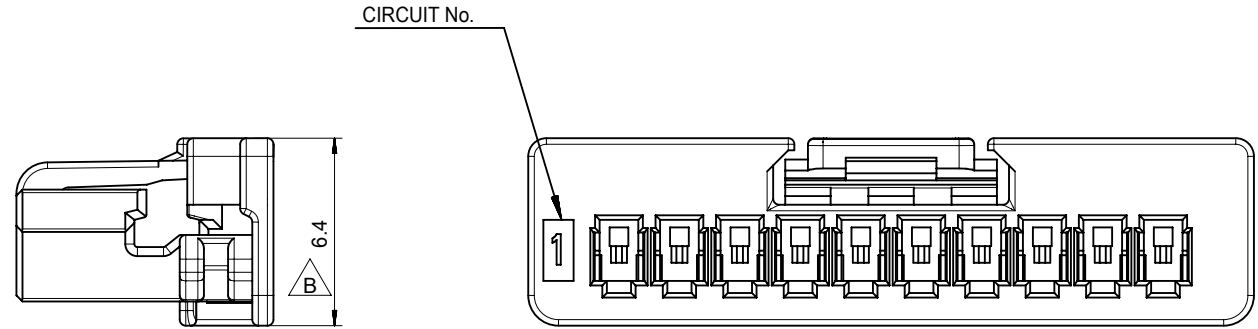
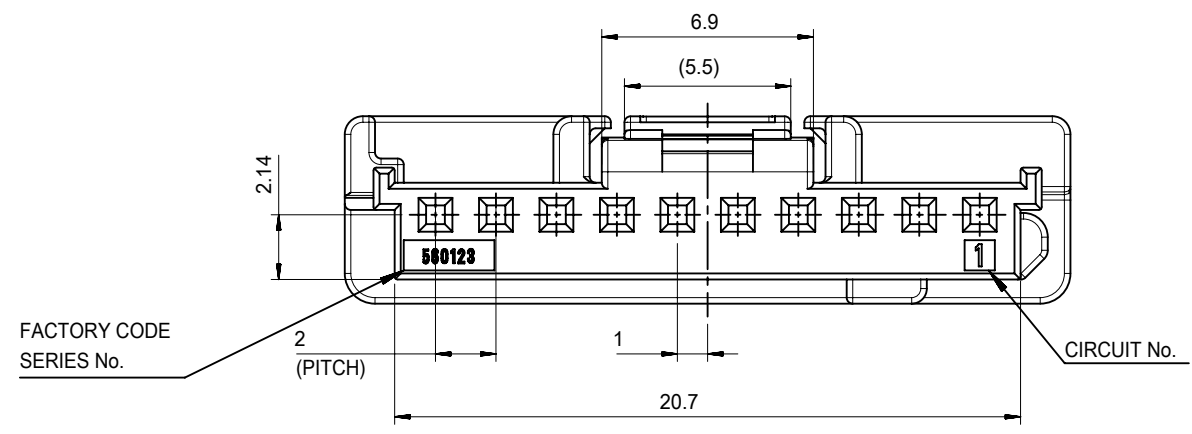
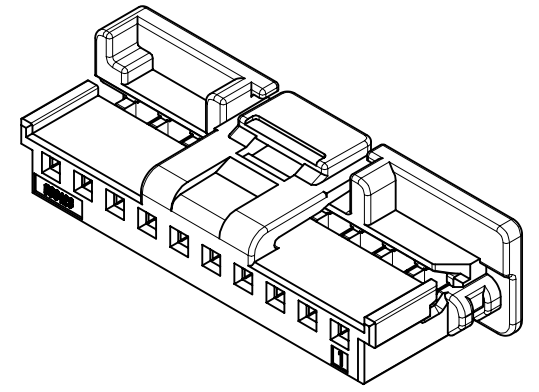
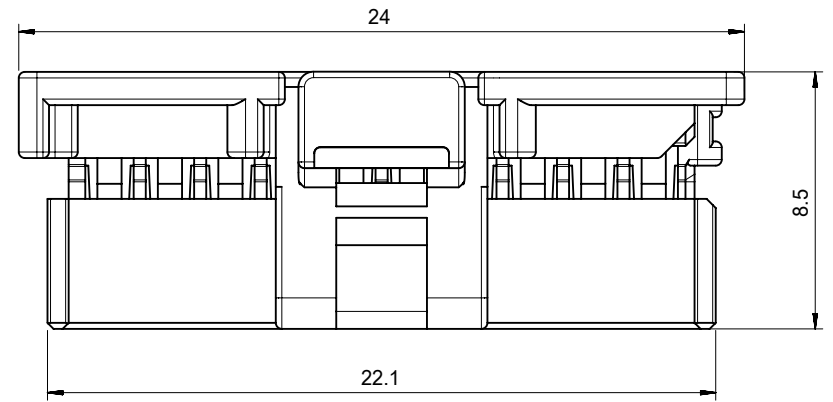


| GENERAL TOLERANCE | | | | | | | | | USED ON | |
|-------------------|--------|--------|--------|---------|---------|---------|---------|-------|---------|--|
| 10 MAX | 30 MAX | 50 MAX | 70 MAX | 100 MAX | 120 MAX | 250 MAX | 250 OVR | ANGLE | ECCENT | |
| ±0.15 | ±0.20 | ±0.30 | ±0.40 | ±0.50 | ±0.75 | ±0.90 | ±1.4 | ±0.5° | 0.1 | |



- NOTES:
- MATERIAL: POLYESTER(PBT), GLASS FILLED, UL94V-0
COLOR: NATURAL(WHITE)
 - MATES WITH: 502352,560020, SERIES
 - APPLICABLE TERMINAL: 560124-0101
 - APPLICABLE ISL: 560125-1000
 - GENERAL TOLERANCES: SEE TABLE
 - EVL AND RoHS COMPLIANT
 - PRODUCT SPECIFICATION: PS-560123-001
 - PACKING SPECIFICATION: PK-560123-001

| | |
|-------------|--------------|
| ORDER NO. | MATERIAL NO. |
| 560123-1000 | 5601231000 |

| | | | | | | | | | | |
|----------------------------|-----------------------------------------------------------------------------------------------------------------------------------------------|------------------------------------------------------|--------------|------------------------|---------------------------------|----------------------------------------------------------------|----------|-----------------|----------|--|
| QUALITY SYMBOLS | THIS DRAWING CONTAINS INFORMATION THAT IS PROPRIETARY TO MOLEX ELECTRONIC TECHNOLOGIES, LLC AND SHOULD NOT BE USED WITHOUT WRITTEN PERMISSION | | | | | | | | | |
| | EC NO: 604133 DRWN: SAKIM CHK'D: JHJANG APPR: JHJANG | GENERAL TOLERANCES (UNLESS SPECIFIED) | | DIMENSION UNITS | SCALE | | | | | |
| | | ANGULAR TOL ± 1.0 ° | | mm | 1:1 | | | | | |
| | | 4 PLACES ± | 3 PLACES ± | DRWN BY | DATE | | | | | |
| | 2 PLACES ± | 1 PLACE ± | JKSEO01 | 2015/07/13 | | | | | | |
| | 0 PLACES ± | DRAFT WHERE APPLICABLE MUST REMAIN WITHIN DIMENSIONS | | CHK'D BY | DATE | NEW 2.0 PITCH W/B CONN. REC. 10 WAY HSG DURACLIC ISL SERIES | | | | |
| | | | BCYOON | 2015/07/13 | | | | | | |
| | | | APPR BY | DATE | | | | | | |
| | | | JYCHOI | 2015/08/18 | | | | | | |
| | | | DRAWING SIZE | THIRD ANGLE PROJECTION | PRODUCT CUSTOMER DRAWING | | SERIES | MATERIAL NUMBER | CUSTOMER | |
| | | B | | | | 560123 | | GENERAL MARKET | | |
| | | | | DOCUMENT NUMBER | | DOC TYPE | DOC PART | SHEET NUMBER | | |
| | | | | SD-560123-006 | | PSD | 001 | 1 OF 1 | | |