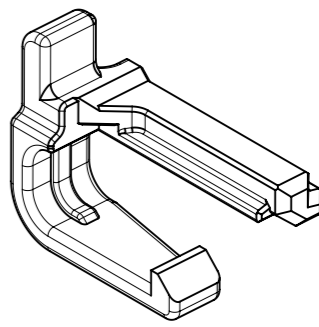
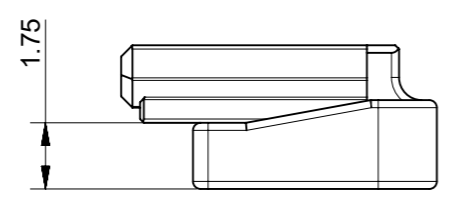
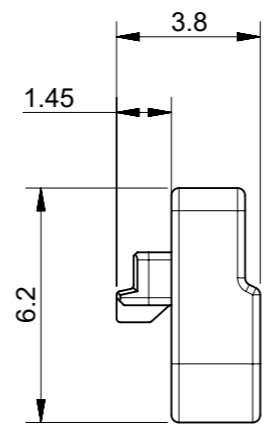
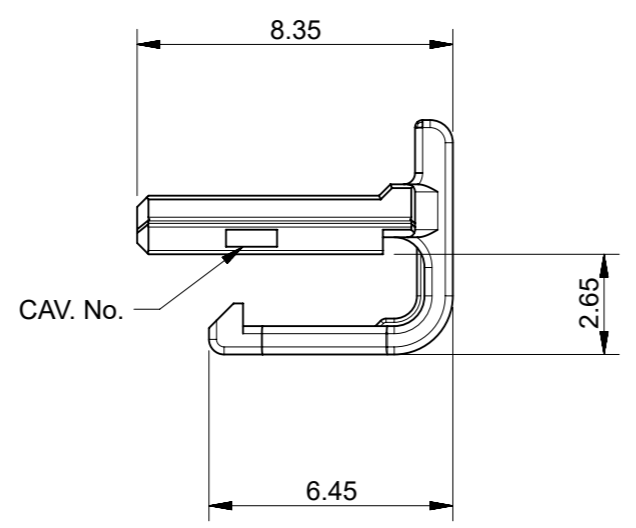
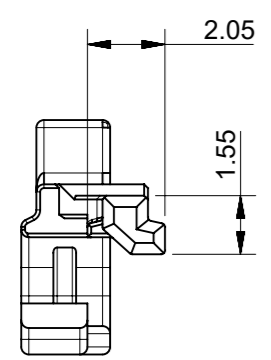


| GENERAL TOLERANCE | | | | | | | | | | USED ON |
|-------------------|--------|--------|--------|---------|---------|---------|----------|-------|--------|---------|
| 10 MAX | 30 MAX | 50 MAX | 70 MAX | 100 MAX | 120 MAX | 250 MAX | 250 OVER | ANGLE | ECCENT | |
| ±0.15 | ±0.20 | ±0.30 | ±0.40 | ±0.50 | ±0.75 | ±0.90 | ±1.4 | ±0.5° | 0.1 | |



ISO VIEW



PENDING APPROVAL

| ORDER NO. | MATERIAL NO. | COLOR |
|-------------|--------------|-------|
| 560125-0300 | 5601250300 | GRAY |
| 560125-0301 | 5601250301 | BLACK |

- NOTES:
1. MATERIALS : POLYESTER (PBT)-GF17, UL94 V-0
 2. APPLICABLE HOUSING : 560123 SERIES
 3. GENERAL TOLERANCE : SEE TABLE
 4. EVL AND RoHS COMPLIANT
 5. PRODUCT SPECIFICATION : PS-560123-001,002,003
 6. PACKING SPECIFICATION : PK-560125-001

| | | | |
|---|--|--|--|
| SYMBOLS ▽ = 0 ▽ = 0 ▽ = 0 ▽ = 0 ▽ = 0 ▽ = 0 ▽ = 0 ▽ = 0 ▽ = 0 ▽ = 0 ▽ = 0 ▽ = 0 | THIS DRAWING CONTAINS INFORMATION THAT IS PROPRIETARY TO MOLEX ELECTRONIC TECHNOLOGIES, LLC AND SHOULD NOT BE USED WITHOUT WRITTEN PERMISSION DIMENSION UNITS: mm SCALE: 5:1 | CURRENT REV DESC: EC NO: 629104 DRWN: SAKIM CHK'D: APPR: INITIAL REVISION: DRWN: YIBAEK APPR: SRTAK | 2019/12/12 2014/07/08 2014/08/26 |
| | GENERAL TOLERANCES (UNLESS SPECIFIED) ANGULAR TOL ± ° | | |
| | 4 PLACES ± 3 PLACES ± 2 PLACES ± 1 PLACE ± 0 PLACES ± | | |
| DRAFT WHERE APPLICABLE MUST REMAIN WITHIN DIMENSIONS THIRD ANGLE PROJECTION DRAWING A3-SIZE | SERIES 560125 | MATERIAL NUMBER CUSTOMER GENERAL MARKET | SHEET NUMBER 1 OF 1 |

molex

NEW 2.0 PITCH W/B CONN.
 REC. 3WAY ISL DURACLIC ISL SERIES

PRODUCT CUSTOMER DRAWING

| DOCUMENT NUMBER | DOC TYPE | DOC PART | REVISION |
|-----------------|----------|----------|----------|
| SD-560125-003 | PSD | 001 | B1 |

| DOCUMENT STATUS | RQ | RELEASE DATE |
|-----------------|----|--------------|
| | | |