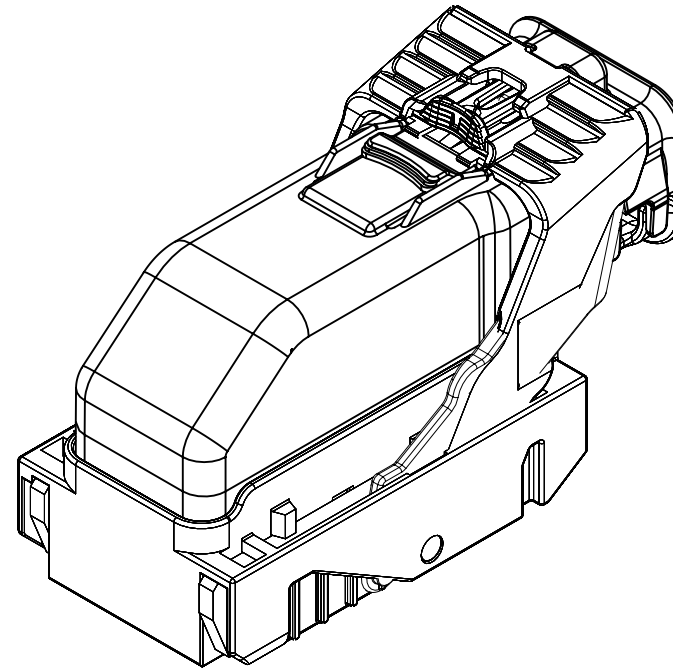

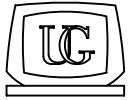


INDEX	
PAGE TITLE	PAGE
TITLE BLOCK	1
REVISION BLOCK	2
PART BLOCK	3
KPC BLOCK	4
COMPONENT TABLE	5
NOTES	6
NOTES	7
WIRE DRESS PACKAGING DIMENSIONS	8
LOCATION AND PACKAGING DIMENSIONS REFERENCING INTERFACE DATUMS B & C	9
LOCATION AND PACKAGING DIMENSIONS REFERENCING INTERFACE DATUM A	10
KEY ID REF - WIRE DRESS OPTION 0	11
KEY ID REF - WIRE DRESS OPTION 9	12
CIRCUIT CONFIGURATIONS	13
CIRCUIT CONFIGURATIONS	14
COMPONENT CONNECTOR INTERFACE	15
COMPONENT CONNECTOR INTERFACE	16
COMPONENT CONNECTOR INTERFACE	17
COMPONENT CONNECTOR INTERFACE	18
COMPONENT CONNECTOR INTERFACE	19
COMPONENT CONNECTOR INTERFACE	20
COMPONENT CONNECTOR INTERFACE	21



ISO VIEW

	<p><b>UNLESS OTHERWISE SPECIFIED:</b> THIS DOCUMENT IS IN ACCORDANCE WITH ASME Y14.5M-1994 AS AMMENDED BY THE GM GLOBAL DIMENSIONING AND TOLERANCING ADDENDUM-1997. ALL GEOMETRIC TOLERANCES AND RELATED DATUMS APPLY RFS. RULE #1 (PERFECT FORM AT MMC) DOES NOT APPLY WHEN A RELATIONSHIP BETWEEN FEATURES IS ESTABLISHED BY ORIENTATION OR LOCATION TOLERANCES. SEPARATE POSITION CALLOUTS MAY BE GAGED SEPARATELY REGARDLESS OF DATUM REFERENCES.</p>			DATE
	 CHANGE RESTRICTED NO MANUAL CHANGES	REFERENCE 12H (MOLEX AUTOMOTIVE)	DRAFTER J SZYMKOWSKI APVD1 D PFAFFINGER APVD2 B BURT APVD3 APVD4 APVD5	22DE05 22DE05 22DE05    
DO NOT SCALE	DRAWING NAME			
METRIC DIMENSIONS SHOWN IN MILLIMETERS UNLESS OTHERWISE SPECIFIED	HARNESS CONN ASM 66/73/80 CKTS			
	DRAWING NUMBER	DWG STATUS		PAGE NUMBER
		12642695	ST	
		R	002	1 OF 21

PAGE	DWG STATUS					REVISION HISTORY	AUTH	DR	CK	ENG
	DATE	ST	REV	CHG	PDI					
	19DE11	R	001			RELEASED TO PRODUCTION AT DLS A	CRMRJB	SC	MRO	GF
3	08MY15	R	002	A		REORDERED PART BLOCK AND ADDED MASS CORRECTED P/N TYPO FROM 12562676 TO 12582676				
3, 5		R	002	B		ADDED 12659312, 12659313, 12653574 AND 12653575				
6		R	002	C		REMOVED NOTE 1 . D . 3 . C				
20		R	002	D		DIM 125 WAS 3.25 DIM 131 WAS 5.5	CRMRJD	DFK	MRO	GF

PAGE	DWG STATUS					REVISION HISTORY	AUTH	DR	CK	ENG
	DATE	ST	REV	CHG	PDI					



KEY PRODUCT CHARACTERISTICS  
(IN ACCORDANCE WITH QN 1805 OR ON 1050)



SAFETY/COMPLIANCE

TOTAL ON  
DRAWING

5



FIT/FUNCTION

LAST NO.  
USED

5

NO	TYPE	DESCRIPTION	RATIONALE	PAGE/ZONE
1	F/F	32.68	IMPROVE CONNECTOR SYSTEM MATING	15
2	F/F	29.00	INSURE PROPER RELEASE OF LEVER	15
3	F/F	15.25	INSURE FINAL MATE POSITION	16
5	F/F	POSITIONAL TOLERANCE (2 PLACES)	INSURE CONNECTOR SYSTEM MATEABILITY	19



PAGE TITLE  
KPC BLOCK

DRAWING NUMBER

12642695

DWG STATUS

ST	REV	PDI
----	-----	-----

R	002	
---	-----	--

PAGE NUMBER

4 OF 21



APPLICABLE COMPONENTS										
LINE	MFG.	MFG. P/N	GM P/N	EFFECTIVE DATE	DESCRIPTION	KEY OPTION	WIRE DRESS OPTION	KEY CONFIG.	COLOR	STATUS
-										
1	MOLEX	34565-0003	12582676	02JN03	MX123 DRESS COVER 66/73/80 CKT	N/A	N/A	N/A	BLACK	AVAILABLE
2	MOLEX	34822-0013	12642692	01SP13	MX123 HRNS CONN ASSY 66 CKT	A	0	1458	BLACK	AVAILABLE
3	MOLEX	34822-0033	12659312	01SP13	MX123 HRNS CONN ASSY 66 CKT	C	0	2467	BLUE	AVAILABLE
4	MOLEX	34822-0023	12642693	01SP13	MX123 HRNS CONN ASSY 66 CKT	A	9	1458	BLACK	AVAILABLE
5	MOLEX	34822-0043	12659313	01SP13	MX123 HRNS CONN ASSY 66 CKT	C	9	2467	BLUE	AVAILABLE
6	MOLEX	34566-0103	12582677	11JN04	MX123 HRNS CONN ASSY 73 CKT	A	0	1458	BLACK	AVAILABLE
7	MOLEX	34566-0203	12582678	11JN04	MX123 HRNS CONN ASSY 73 CKT	B	0	1468	ST GRAY	AVAILABLE
8	MOLEX	34566-0303	12615654	09AP08	MX123 HRNS CONN ASSY 73 CKT	C	0	2467	BLUE	AVAILABLE
9	MOLEX	34566-0403	12647268	T.B.D	MX123 HRNS CONN ASSY 73 CKT	D	0	2367	BROWN	NOT ACTIVE
10	MOLEX	34566-0503	AMJ28633	T.B.D	MX123 HRNS CONN ASSY 73 CKT	E	0	2468	GREEN	NOT ACTIVE
11	MOLEX	34566-0603	12653574	05DC14	MX123 HRNS CONN ASSY 73 CKT	F	0	1357	NATURAL	AVAILABLE
12	MOLEX	34566-0703	12588057	09AP08	MX123 HRNS CONN ASSY 80 CKT	G	0	1358	BLUE	AVAILABLE
13	MOLEX	34566-0803	12588058	11JN04	MX123 HRNS CONN ASSY 80 CKT	H	0	2458	ST GRAY	AVAILABLE
14	MOLEX	34566-0903	12615656	T.B.D	MX123 HRNS CONN ASSY 80 CKT	J	0	2457	BLACK	NOT ACTIVE
15	MOLEX	34566-1003	AMJ28595	T.B.D	MX123 HRNS CONN ASSY 80 CKT	K	0	2357	BROWN	NOT ACTIVE
16	MOLEX	34566-1103	AMJ29057	T.B.D	MX123 HRNS CONN ASSY 80 CKT	L	0	2368	GREEN	NOT ACTIVE
17	MOLEX	34566-1203	AMJ28669	T.B.D	MX123 HRNS CONN ASSY 80 CKT	M	0	2358	NATURAL	NOT ACTIVE
18	MOLEX	34566-1303	12603596	11JN04	MX123 HRNS CONN ASSY 73 CKT	A	9	1458	BLACK	AVAILABLE
19	MOLEX	34566-1403	12603597	11JN04	MX123 HRNS CONN ASSY 73 CKT	B	9	1468	ST GRAY	AVAILABLE
20	MOLEX	34566-1503	12615655	09AP08	MX123 HRNS CONN ASSY 73 CKT	C	9	2467	BLUE	AVAILABLE
21	MOLEX	34566-1603	12647269	T.B.D	MX123 HRNS CONN ASSY 73 CKT	D	9	2367	BROWN	NOT ACTIVE
22	MOLEX	34566-1703	AMJ28698	T.B.D	MX123 HRNS CONN ASSY 73 CKT	E	9	2468	GREEN	NOT ACTIVE
23	MOLEX	34566-1803	12653575	05DC14	MX123 HRNS CONN ASSY 73 CKT	F	9	1357	NATURAL	AVAILABLE
24	MOLEX	34566-1903	12603598	09AP08	MX123 HRNS CONN ASSY 80 CKT	G	9	1358	BLUE	AVAILABLE
25	MOLEX	34566-2003	12603599	11JN04	MX123 HRNS CONN ASSY 80 CKT	H	9	2458	ST GRAY	AVAILABLE
26	MOLEX	34566-2103	12615657	T.B.D	MX123 HRNS CONN ASSY 80 CKT	J	9	2457	BLACK	NOT ACTIVE
27	MOLEX	34566-2203	AMJ29117	T.B.D	MX123 HRNS CONN ASSY 80 CKT	K	9	2357	BROWN	NOT ACTIVE
28	MOLEX	34566-2303	AMJ29136	T.B.D	MX123 HRNS CONN ASSY 80 CKT	L	9	2368	GREEN	NOT ACTIVE
29	MOLEX	34566-2403	AMJ29214	T.B.D	MX123 HRNS CONN ASSY 80 CKT	M	9	2358	NATURAL	NOT ACTIVE
30	MOLEX	34736-2002	12642697	01AU10	MX64 RCPT TERM Ag 18/20 GAGE B (RIGHT PAYOFF)	N/A	N/A	N/A	N/A	AVAILABLE
31	MOLEX	34736-2001	12642696	01AU10	MX64 RCPT TERM Ag 22 GAGE B (RIGHT PAYOFF)	N/A	N/A	N/A	N/A	AVAILABLE
32	MOLEX	34586-0001	T.B.D.	11JN04	MX123 0.64MM GROMMET PLUG	N/A	N/A	N/A	NATURAL	AVAILABLE
33	YAZAKI	7116-4150-02	12588066	02JN03	2.8mm YESC SEALED FEMALE TERMINAL TIN 20/22 GAGE (CABLE RANGE 0.30mm-0.60mm)	N/A	N/A	N/A	N/A	NOT ACTIVE
34	YAZAKI	7116-4151-02	12588067	02JN03	2.8mm YESC SEALED FEMALE TERMINAL TIN 16/18 GAGE (CABLE RANGE 0.75mm-1.40mm)	N/A	N/A	N/A	N/A	NOT ACTIVE
35	YAZAKI	7116-4152-02	12582685	02JN03	2.8mm YESC SEALED FEMALE TERMINAL TIN 14 GAGE (CABLE RANGE 1.50mm-2.50mm)	N/A	N/A	N/A	N/A	AVAILABLE
36	YAZAKI	7158-3111-60	12588068	02JN03	2.8mm CABLE SEAL (wire O.D. range 1.20mm-1.90mm)	N/A	N/A	N/A	GREEN	NOT ACTIVE
37	YAZAKI	7158-3112-70	12588069	02JN03	2.8mm CABLE SEAL (wire O.D. range 1.80mm-2.30mm)	N/A	N/A	N/A	YELLOW	NOT ACTIVE
38	YAZAKI	7158-3113-40	12582686	02JN03	2.8mm CABLE SEAL (wire O.D. range 2.18mm-3.00mm)	N/A	N/A	N/A	WHITE	AVAILABLE
39	YAZAKI	7158-3114-90	T.B.D	02JN03	2.8mm YESC CAVITY PLUG	N/A	N/A	N/A	BLUE	AVAILABLE
40	MOLEX	63811-4200	XX019825	02JN03	MX64 TERM HAND CRIMP TOOL	N/A	N/A	N/A	N/A	AVAILABLE
41	MOLEX	63813-1400	XX019826	02JN03	MX64 TERM SERVICE TOOL	N/A	N/A	N/A	N/A	AVAILABLE
42	MOLEX	63865-8000	XX019827	02JN03	MX64 CRIMP APPLICATOR with TOOL KIT 18/20 GAGE PAYOFF DIRECTION D (left payoff) (contact Molex for payoff detail)	N/A	N/A	N/A	N/A	AVAILABLE
43	MOLEX	63865-8070	XX019828	02JN03	MX64 APPLICATOR TOOL KIT 18/20 GAGE	N/A	N/A	N/A	N/A	AVAILABLE
44	MOLEX	63865-8100	XX019829	02JN03	MX64 CRIMP APPLICATOR with TOOL KIT 22 GAGE PAYOFF DIRECTION D (left payoff) (contact Molex for payoff detail)	N/A	N/A	N/A	N/A	AVAILABLE
45	MOLEX	63865-8170	XX019830	02JN03	MX64 APPLICATOR TOOL KIT 22 GAGE	N/A	N/A	N/A	N/A	AVAILABLE
46	SPX	J35616-64	T.B.D.	02JN03	0.64mm PROBE TOOL (for rcpt)	N/A	N/A	N/A	N/A	AVAILABLE
47	SPX	J35616-64A	T.B.D.	02JN03	0.64mm PROBE TOOL WITH EXT (for rcpt)	N/A	N/A	N/A	N/A	AVAILABLE
48	SPX	J35616-65	T.B.D.	02JN03	0.64mm PROBE TOOL WITH EXT (for pin)	N/A	N/A	N/A	N/A	AVAILABLE
49	SPX	J35616-4A	T.B.D.	02JN03	2.8mm PROBE TOOL (for rcpt)	N/A	N/A	N/A	N/A	AVAILABLE
50	YAZAKI	X39899-J374	12094430	02JN03	2.8mm TERM SERVICE TOOL	N/A	N/A	N/A	N/A	AVAILABLE

002B

\* - MX123 DRESS COVER 73/80/66 CKT MATES TO ANY MX123 HARN CONN ASSY SHOWN ON TABLE ABOVE



PAGE TITLE  
COMPONENT TABLE

DRAWING NUMBER  
12642695

DWG STATUS			PAGE NUMBER
ST	REV	PD1	
R	002		

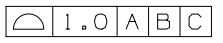
5 OF 21

NOTES: UNLESS OTHERWISE SPECIFIED

1. MATERIAL FOR INTERFACE:

- A. RESIN:
  - 1. 30% G.F. PBT; 20% MAX. (BY WEIGHT) REGRIND.
  - 2. MATING CONNECTOR INTERFACE PART COLOR MUST BE SAME AS MATCHING KEYED HARNESS CONNECTOR ASSEMBLY.
  - 3. MUST BE VALIDATED FOR INDIVIDUAL DEVICE APPLICATION REQUIREMENTS.
- B. 0.64MM PINS:
  - 1. BASE MATERIAL: COPPER ALLOY; CONDUCTIVITY >= 28% IACS AT 20°C; TENSILE STRENGTH >= 635 N/mm<sup>2</sup>; SURFACE ROUGHNESS R<sub>a</sub> 6 MAX.
  - 2. PLATING FINISH: SILVER (Ag). PLATING TO BE 1.9-3.3 μm ELECTRODEPOSITED SEMI-BRIGHT SILVER OVER 1.25-2.25 μm DUCTILE SULPHAMATE NICKEL PER NOTE 1(D).
  - 3. ANTI-TARNISH: SYNTHETIC HYDROCARBON CONTACT SURFACE FINISH OR EQUIVALENT APPLIED WITHOUT VOID TO CONTACT AREA (MIN 3.7mm FROM PIN TIP).
- C. 2.8MM BLADE:
  - 1. BASE MATERIAL: COPPER ALLOY; CONDUCTIVITY >= 28% IACS AT 20°C; TENSILE STRENGTH >= 350 N/mm<sup>2</sup>; SURFACE ROUGHNESS R<sub>a</sub> 6 MAX.
  - 2. PLATING FINISH: TIN. PLATING TO BE 2.5-5.0 μm ELECTRODEPOSITED TIN, MATTE FINISH OVER 1.25-2.5 μm DUCTILE SULPHAMATE NICKEL PER NOTE 1(D).
- D. PLATING REQUIREMENTS:
  - 1. SILVER PLATING
    - a. 99.5% PURE SEMI-BRIGHT WITH NO ORGANIC BRIGHTNERS OR CHROMATES.
  - 2. NICKEL PLATING
    - a. ELECTRODEPOSITED DUCTILE SULFAMATE NICKEL WITH A NON-BRIGHTENED FINISH. NO ORGANIC OR BRIGHTENING AGENTS SHALL BE ALLOWED.
    - b. SHALL ONLY BE USED AS AN UNDERLYING PLATING AND MAY NOT BE USED AS AN ELECTRICAL CONTACT SURFACE PLATING.
    - c. SHALL BE NODULE FREE WHEN VIEWED AT 10X MAGNIFICATION IN MEASURED IN CONTACT SURFACE AREA PLUS 0.5MM PERIMETER AROUND THE CONTACT SURFACE AREA.
    - d. ALL PLATINGS SHALL HAVE A 1.0% MAXIMUM BY WEIGHT IMPURITIES. IMPURITIES ARE DEFINED AS ALL ELEMENTS NOT THE PRIMARY PLATING OR HARDENING AGENT IF APPLICABLE, AS DETERMINED BY WET CHEMICAL ANALYSIS OR AUGER METHOD. NO SINGLE IMPURITY SHALL EXCEED 0.1% MAXIMUM BY WEIGHT.
  - 3. TESTING
    - a. THICKNESS TO BE MEASURED IN CONTACT SURFACE AREA PLUS 0.5MM PERIMETER AROUND THE CONTACT SURFACE AREA AS DESIGNATED IN THE DRAWING. THICKNESS SHALL BE DETERMINED BY METHOD OF X-RAY (XRF).
    - b. PLATING ADHESION SHALL BE TESTED BY A BEND TEST FOR ALL METALS. THE TEST SAMPLE SHALL BE BENT 90 DEGREES TO DETERMINE DEPOSIT ADHESION. TESTING SHALL BE COMPLETED IN ACCORDANCE WITH ASTM SPEC B571.


2. DESIGN - GENERAL:

- A. THIS IS A 100% CAD GENERATED PART. THE CAD MATHEMATICAL DATA IS THE MASTER FOR THIS PART. FOR DIMENSIONAL OR ANY INFORMATION NOT SHOWN ON THIS DRAWING, ANALYZE THE CAD MODEL.
- B. TOLERANCES:
  - 1. LINEAR
    - 0.X ± 0.30
    - 0.XX ± 0.10
    - 0.XXX ± 0.10
  - 2. ANGULAR X° ± 3°
  - 3. 
- C. MINIMUM WALL THICKNESS REQUIRED: 1.3mm.
- D. CORNERS SHOWN AS SHARP TO BE R 0.2 MAX.
- E. LETTERING SHALL BE 0.15 MAX RAISED IN 0.20 MAX RECESS PAD. THIS INCLUDES MATERIAL CODE, RECYCLING CODE, CAVITY ID AND DATE CODE.
- F-1. PARTS MUST BE FREE OF DISCOLORATION, SALT RESIDUE AND OTHER IMPERFECTIONS THAT AFFECT FIT OR FUNCTION.
- F-2. SCRATCHES OR DENTS NOT TO EXCEED 0.013mm IN DEPTH.
- G. FOLLOWING PRODUCTION CODES TO BE PERMANENTLY MARKED & HUMAN READABLE TO A LETTER HEIGHT OF 1.5 ± 0.5MM X 0.3 MAX DEEP
  - 1. MATERIAL #: XXXXX-XXXX
  - 2. DATE CODE: JJYY (JULIAN DAY, LAST DIGIT OF YEAR)
  - 3. INSPECTION MACHINE CODE + SERIAL #: X\_XXXXX

3. DESIGN - MANUFACTURING:

- A. DRAFT TO BE WITHIN TOLERANCE.
- B. ALLOWABLE FLASH MAX 0.2 HIGH X MAX 0.13 THICK.
- C. ALLOWABLE PARTING LINE MISMATCH 0.2 MAX.
- D. EJECTOR PINS MARK TO BE FLUSH TO 0.25 MAX DEPRESSED.
- E. ALLOWABLE GATE VESTIGE FLUSH TO 0.25 MAX PROTRUSION.
- F. NO EXTERNAL MOLD RELEASE AGENT ALLOWED DURING MANUFACTURING.
- G. STEEL THAT FORMS THE INDICATED SURFACE MUST BE POLISHED WITH A DIAMOND FINISH (SPI A-2) OVER THE FULL PERIPHERY OF THE TOOL. SURFACE MUST HAVE NO MISMATCH.
- H. ANY PROCESS LUBRICANT REMAINING ON THE TERMINAL MUST NOT VARNISH OR DEGRADE IT'S ELECTRICAL PERFORMANCE UP TO A MAXIMUM CLASS AMBIENT TEMPERATURE PER SAE USCAR-2 FOR 1008 HOURS. PROCESS LUBRICANTS SHOULD BE APPROVED BY THE RESPONSIBLE ENGINEER.
- J. OPTIONAL FEATURES PROVIDED FOR AUTOMATION.
- K. PART MUST BE FREE FROM BURRS AND SHARP EDGES, WHICH MIGHT BE DETRIMENTAL TO SATISFACTORY ASSEMBLY, SAFE HANDLING OR FUNCTION OF PART.
- L. PARTS AS DELIVERED TO ASSEMBLY SHALL BE CLEAN AND FREE OF DEBRIS, RESIDUAL ABRASIVE MATERIAL AND CORROSION PRODUCTS ADVERESLY AFFECTING FUNCTION OR APPEARANCE.
- M. RESTRICTED AND REPORTABLE SUBSTANCES FOR PARTS PER GMW3059.

002C

	PAGE TITLE	DRAWING NUMBER	DWG STATUS			PAGE NUMBER	
	NOTES		12642695	ST	REV	PDI	6 OF 21
				R	002		

NOTES: UNLESS OTHERWISE SPECIFIED

4. SYSTEM REQUIREMENTS:

- A. HARNESS CONNECTOR IS COMPATIBLE WITH THE FOLLOWING SAE WIRE SIZE NO'S:
  - 14, MEETING SAE J1128
  - 18, MEETING SAE J1128, MAX O.D. OF 2.06 MM
  - 20, MEETING SAE J1128
  - 22, MEETING SAE J1128, MIN O.D. OF 1.47 MM
- B. CABLE TIE SPECIFICATIONS:
  - 1. CABLE TIE:
    - TENSILE RATING: 220N / (50lbs) MIN
    - TIE LENGTH: 186mm MIN
    - TIE WIDTH: 4.75mm MAX
    - MATERIAL: NYLON
  - 2. INSTALLATION:
    - CABLE TIE TENSION: 190N MIN
  - 3. DRESSED WIRE BUNDLE PACKAGING: SEE FIG. 1
- C. WHEN MATED WITH COMPONENT CONNECTOR INTERFACE AND/OR DRESS COVER, HARNESS CONNECTOR SYSTEM CONFORMS TO THE FOLLOWING:
  - 1. SAE/USCAR-2, REV: 3 APRIL, 2001; CLASS 3
  - 2. FIELD CORRELATED LIFE TEST, SAE/USCAR-20, NOV. 2001
  - 3. GMW #3191 AUGUST 22, 2000 (DRAFT); TEMPERATURE CLASS 3, SEALING CLASS 1, VIBRATION CLASS 2
  - 4. RESTRICTED AND REPORTABLE CHEMICALS PER GMW #3059, REV: D AUGUST 2002
  - 5. TPA USER FORCES (FULLY POPULATED WITH TERMINALS)
    - a. REMOVAL FROM LOCK TO PRE-SET: <=120N
- D. WIRE SPECIFICATIONS:
  - 1. WIRE SURFACE MUST BE FREE OF SCRATCHES, GROOVES OR DENTS WHERE FUNCTIONAL

5. TERMINAL CURRENT RATINGS:

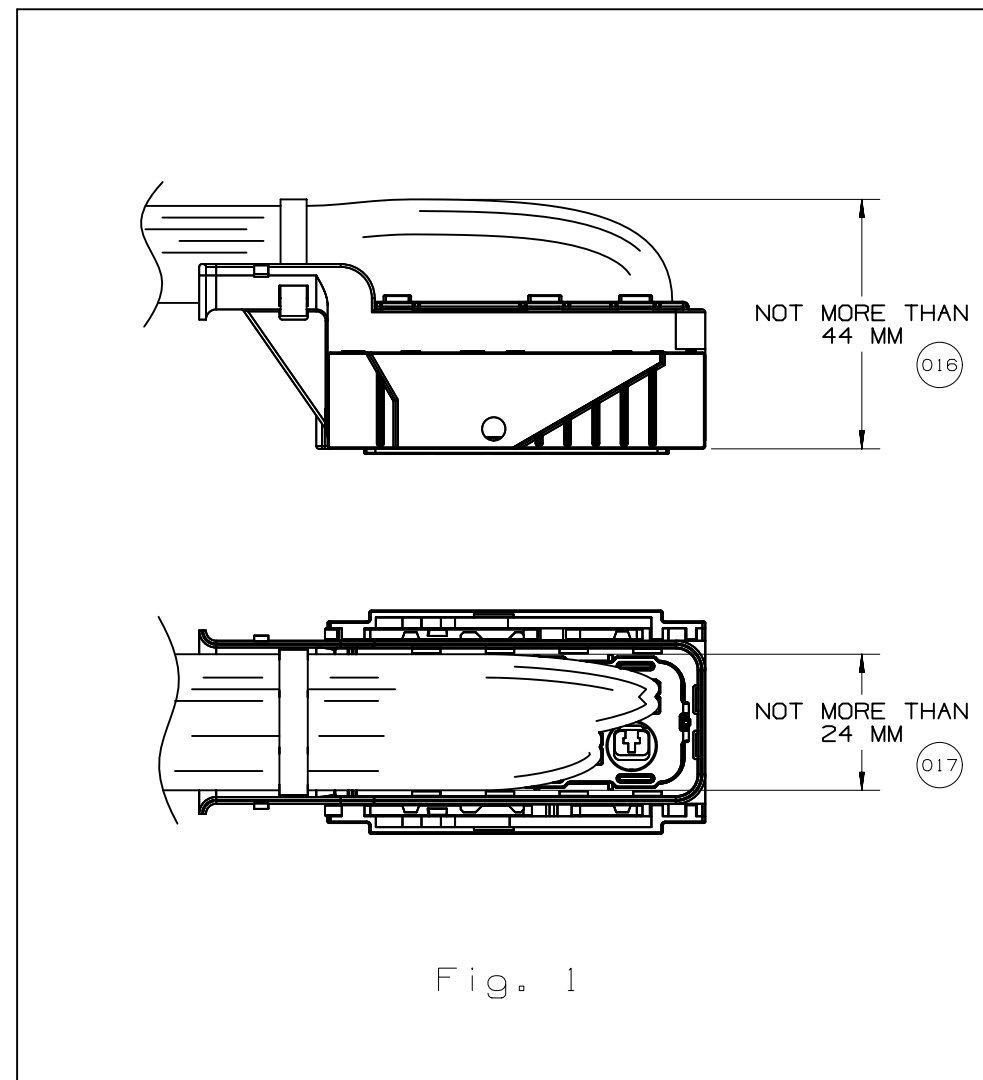
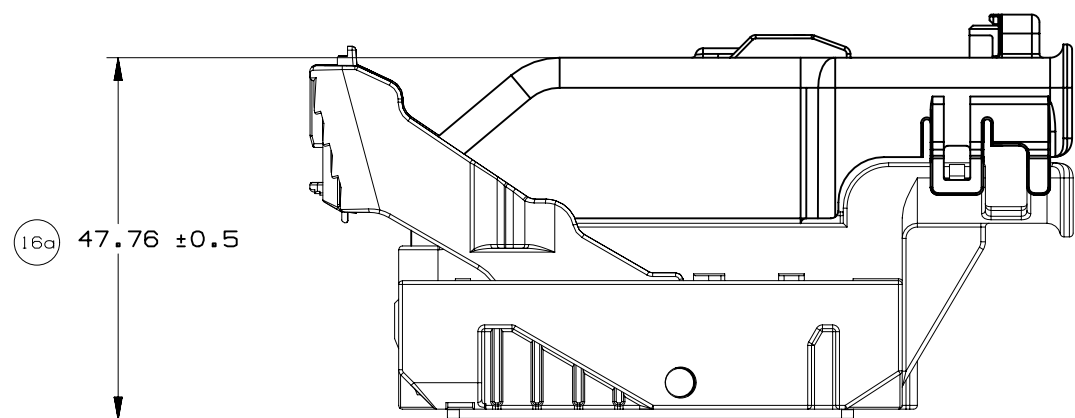
ALL TESTING DONE IN ACCORDANCE WITH USCAR-2 REV5 SECTION 5.3

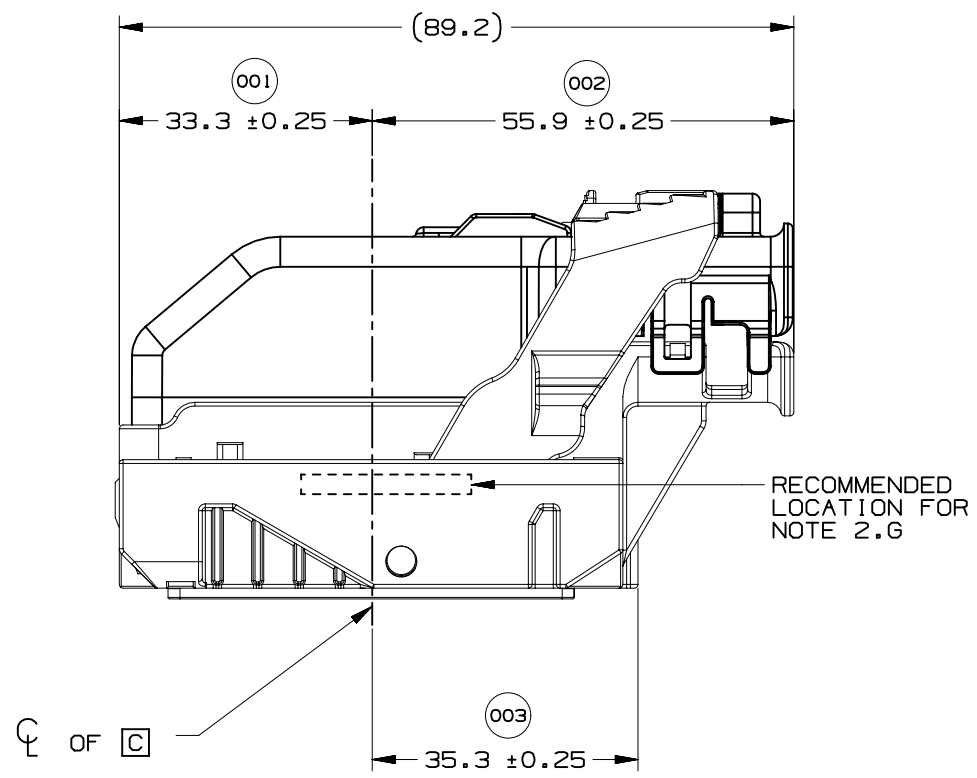
- A. MX64 RCPT TERM
  - 1. MX64 RCPT TERM Ag 18/20 GAGE CRIMPED TO SAE WIRE SIZE NO.18 AND MATED TO MX123 0.64MM PIN: 11.3 AMPS
  - 2. MX64 RCPT TERM Ag 22 GAGE CRIMPED TO SAE WIRE SIZE NO.22 AND MATED TO MX123 0.64MM PIN:8.5 AMPS

WIRE	CURRENT RATING			
	23°C	85°C	105°C	125°C
18AWG	11.3A	11.3A	9.5A	6.6A
20AWG	10.0A	10.0A	8.3A	5.7A
22AWG	8.6A	8.6A	7.1A	5.0A

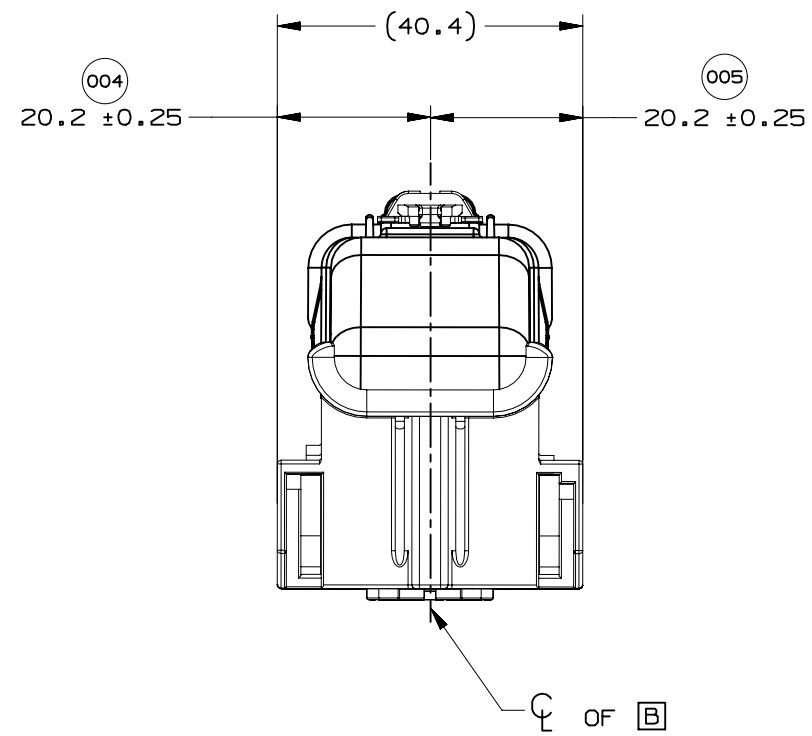
- B. 2.8MM RCPT TERM
  - 1. 2.8MM RCPT TERM TIN 14 GAGE CRIMPED TO SAE WIRE SIZE NO.14 AND MATED TO MX123 2.8MM BLADE: 25.6 AMPS

6. CONTACT MOLEX AUTOMOTIVE FOR AVAILABLE CUSTOM PATTERNS OF CAVITIES OPEN FOR CIRCUITS

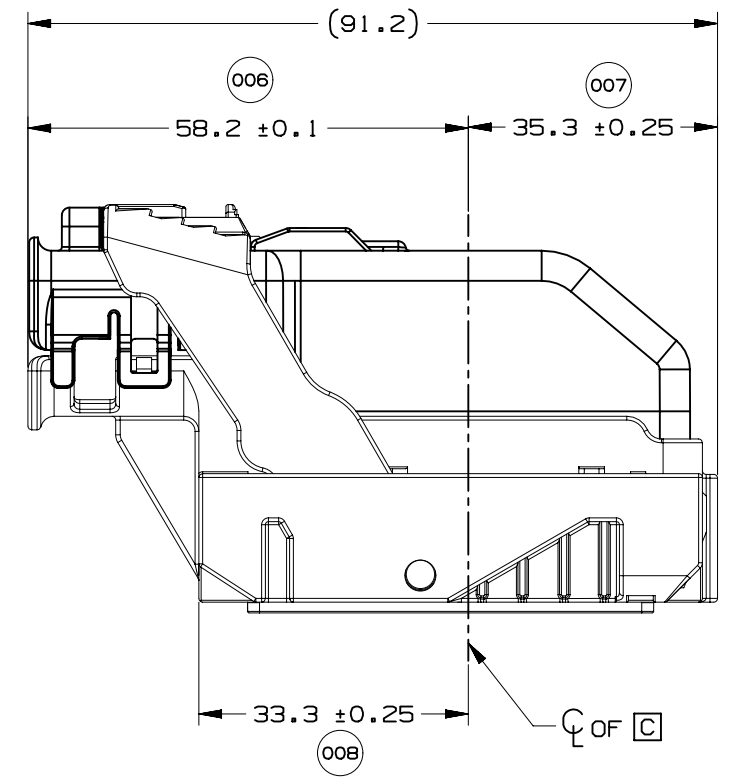




WIRE DRESS OPTION 0 SHOWN

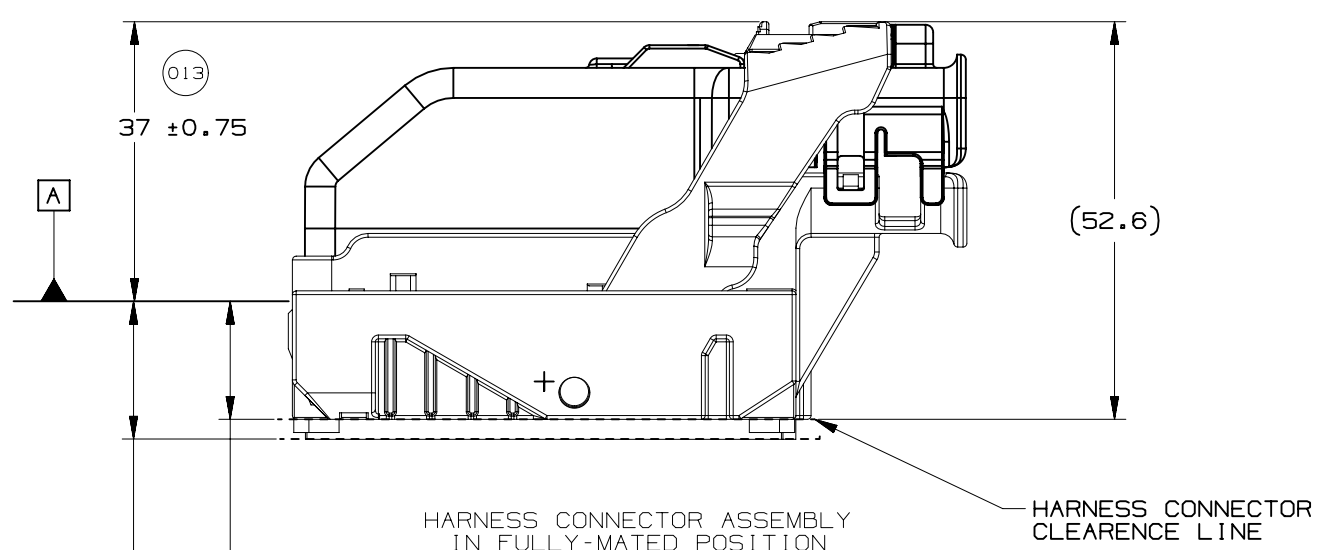
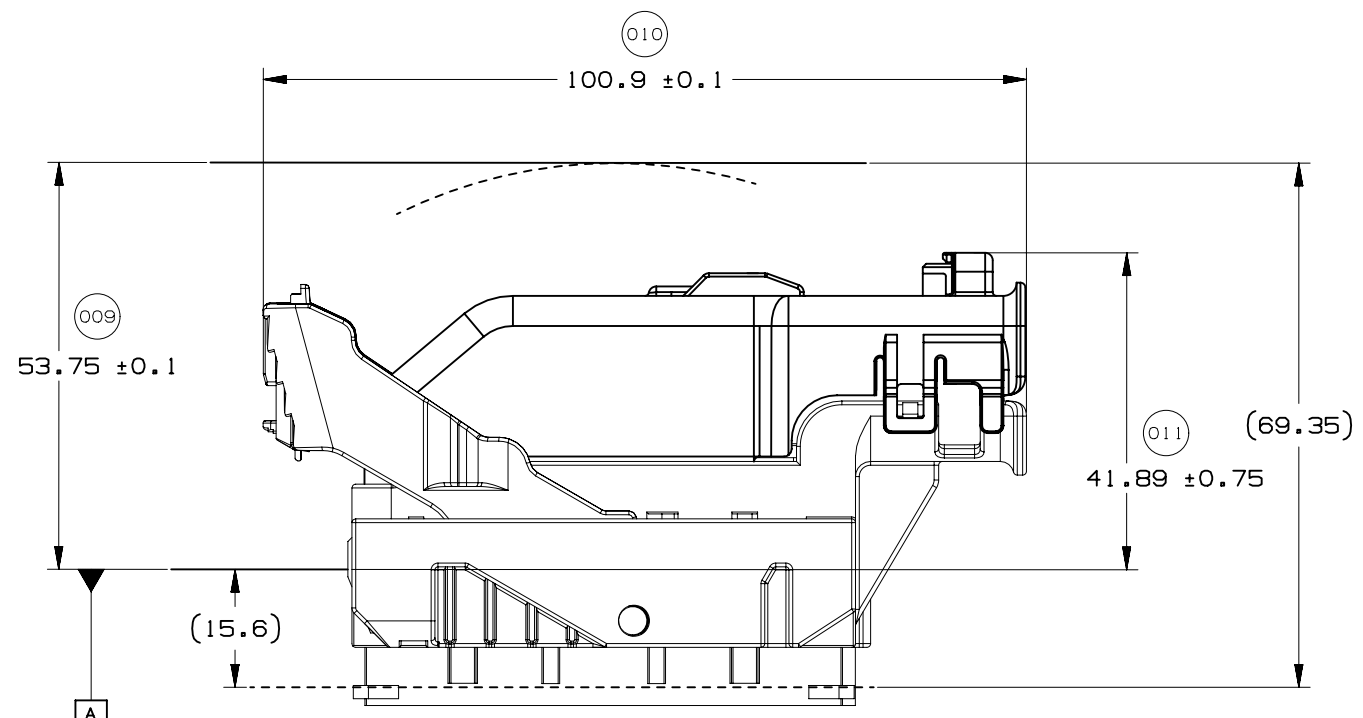
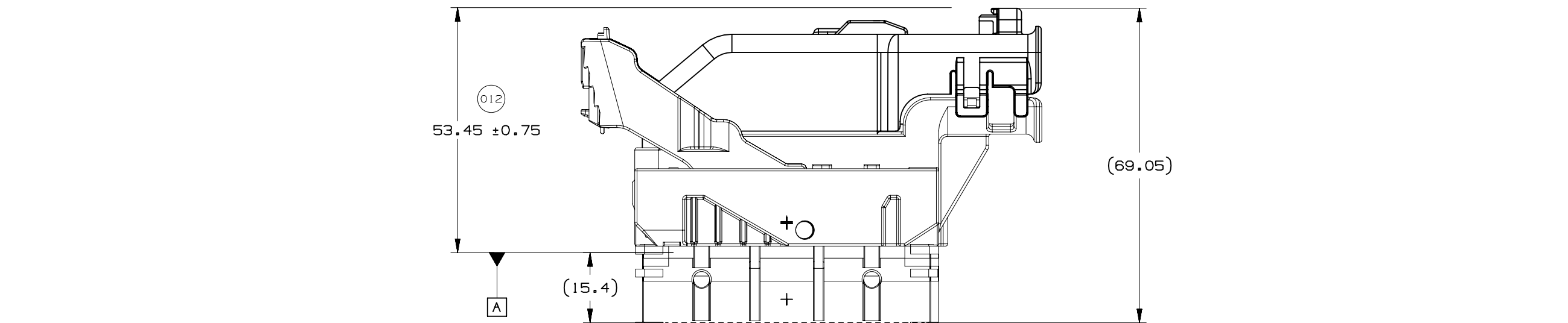


WIRE DRESS OPTION 0 SHOWN



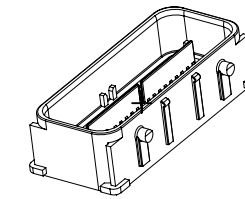
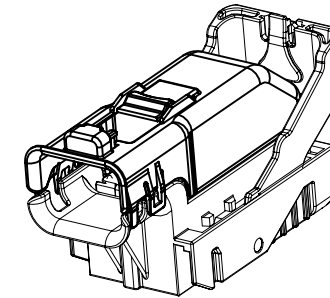
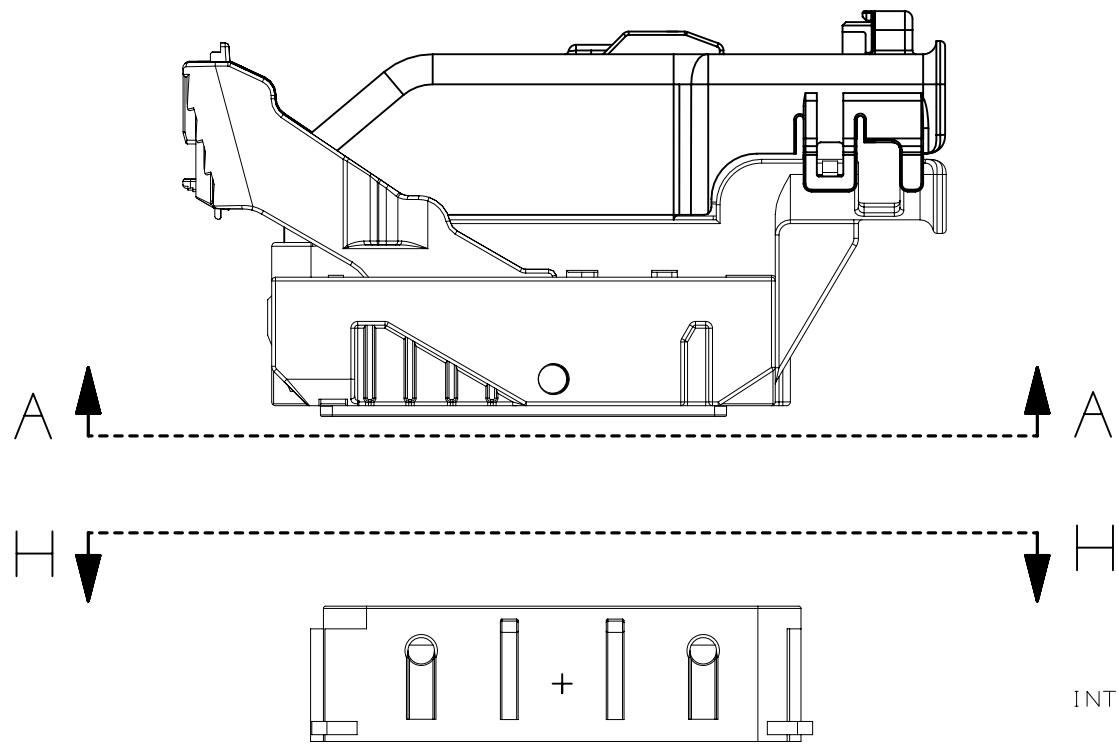
WIRE DRESS OPTION 9 SHOWN





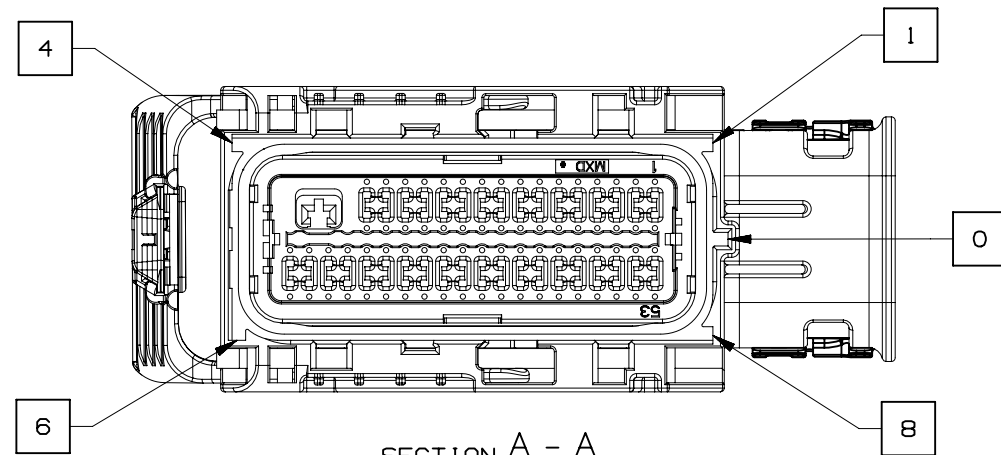
014 ALL AROUND CLEARANCE REQUIRED FOR HARNESS CONNECTOR

015 17.9 MIN. AT PAD LOCATION CLEARANCE REQUIRED FOR HARNESS CONNECTOR CONSTRUCTION BELOW THIS PLANE IS NOT CONTROLLED

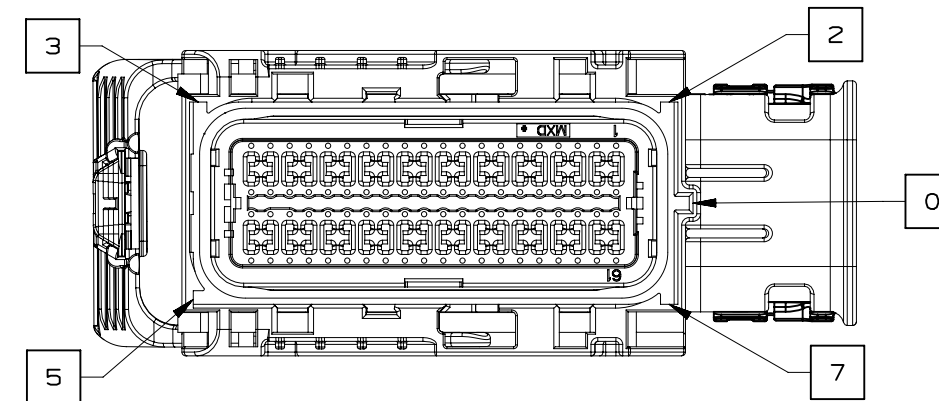


NOTE: REFERENCE THE COMPONENT TABLE FOR KEY OPTIONS AND CONFIGURATIONS

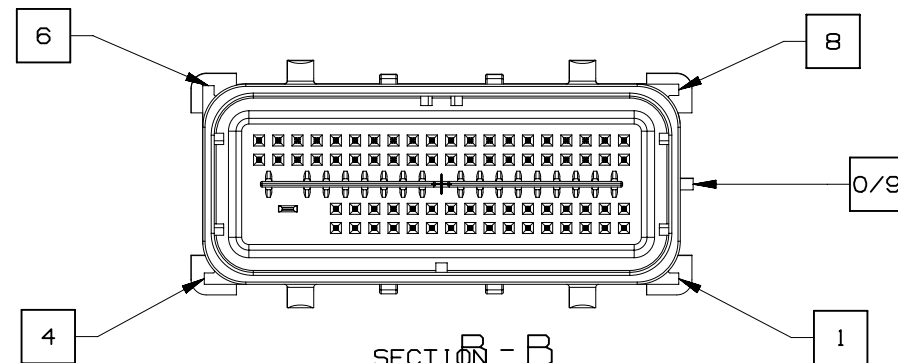
INTERFACE SIDE SHOWN ON ALL SECTION VIEWS



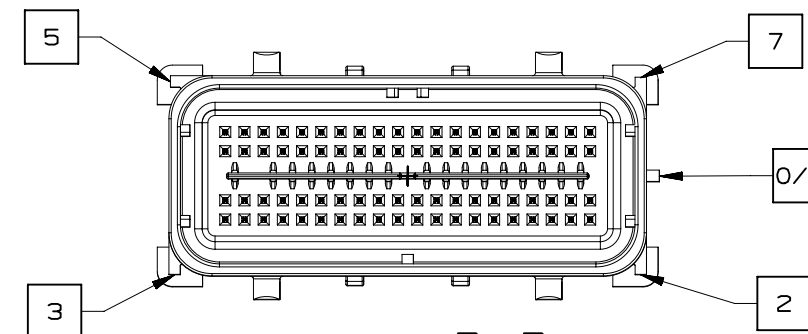
SECTION A - A  
KEY OPTION B SHOWN



SECTION A - A  
KEY OPTION K SHOWN



SECTION B - B  
KEY OPTION B SHOWN



SECTION B - B  
KEY OPTION K SHOWN

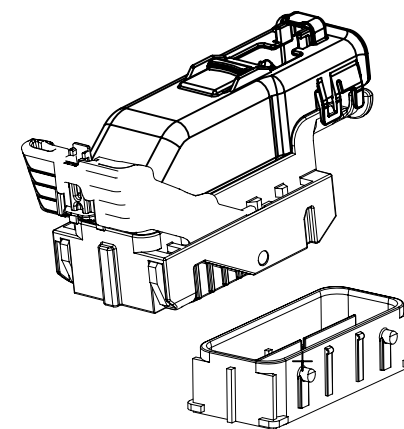
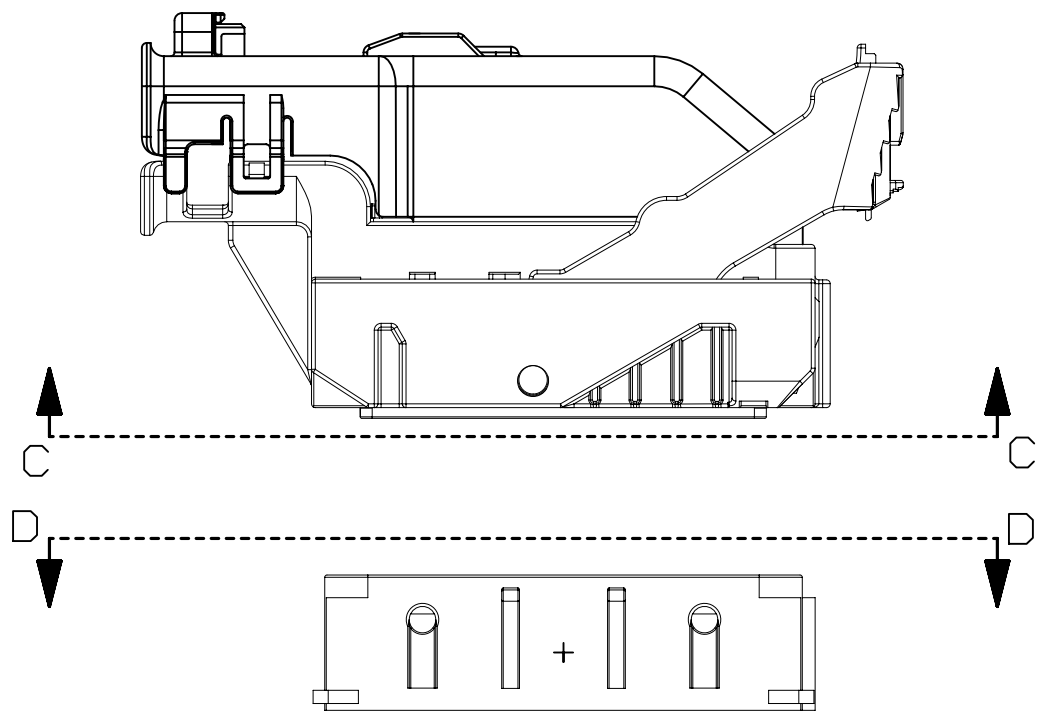


PAGE TITLE  
KEY ID REF - WIRE DRESS OPTION 0

DRAWING NUMBER  
12642695

DWG STATUS		
ST	REV	PD1
R	002	

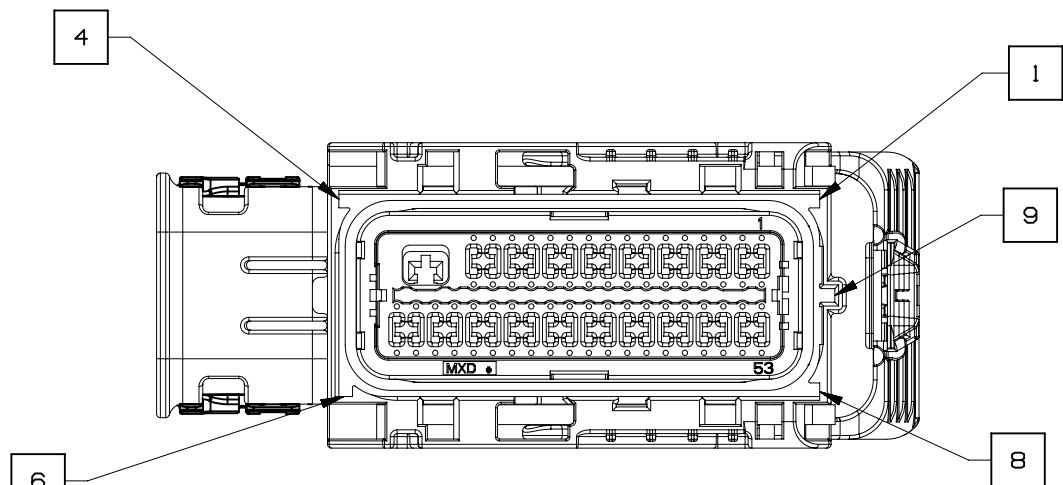
PAGE NUMBER  
11 OF 21



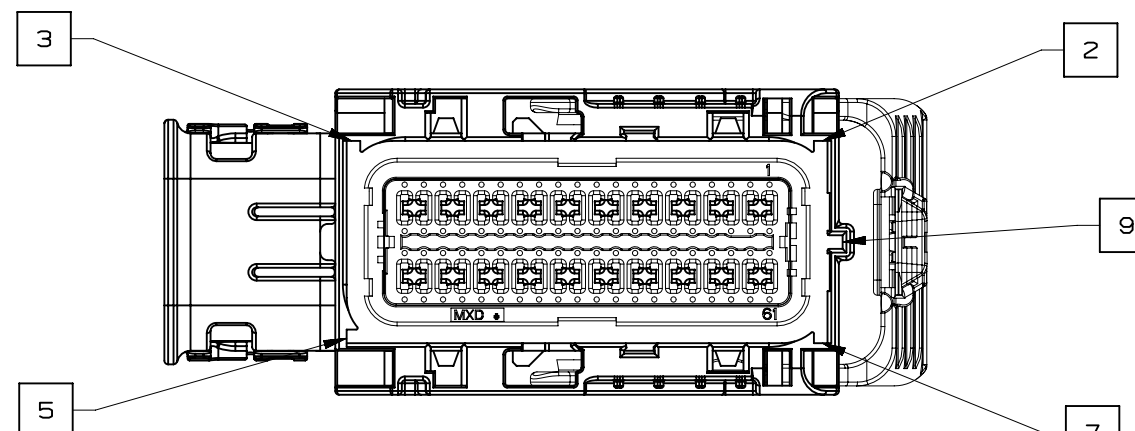
NOTE: REFERENCE THE COMPONENT TABLE FOR KEY OPTIONS AND CONFIGURATIONS

VIEW V

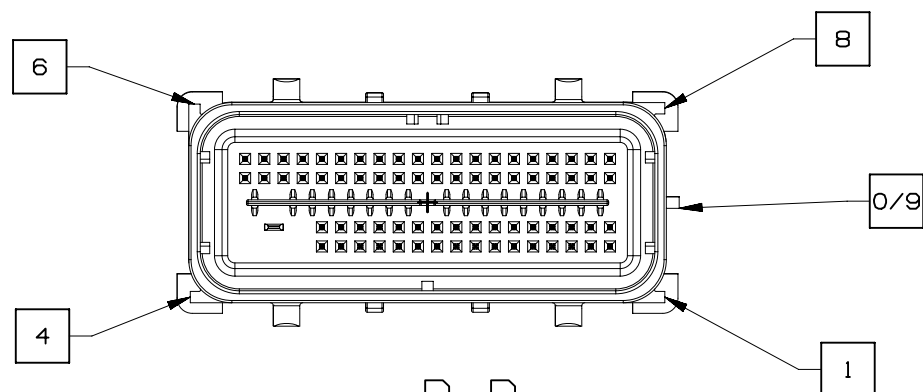
INTERFACE SIDE SHOWN ON ALL SECTION VIEWS



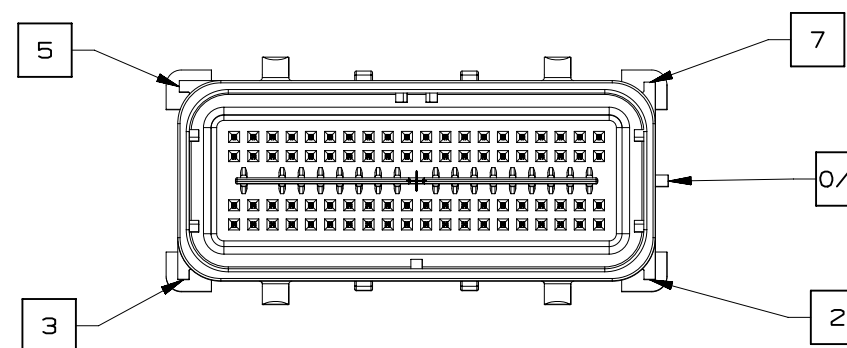
SECTION C-C  
KEY OPTION B SHOWN



SECTION C-C  
KEY OPTION K SHOWN



SECTION D-D  
KEY OPTION B SHOWN



SECTION D-D  
KEY OPTION K SHOWN



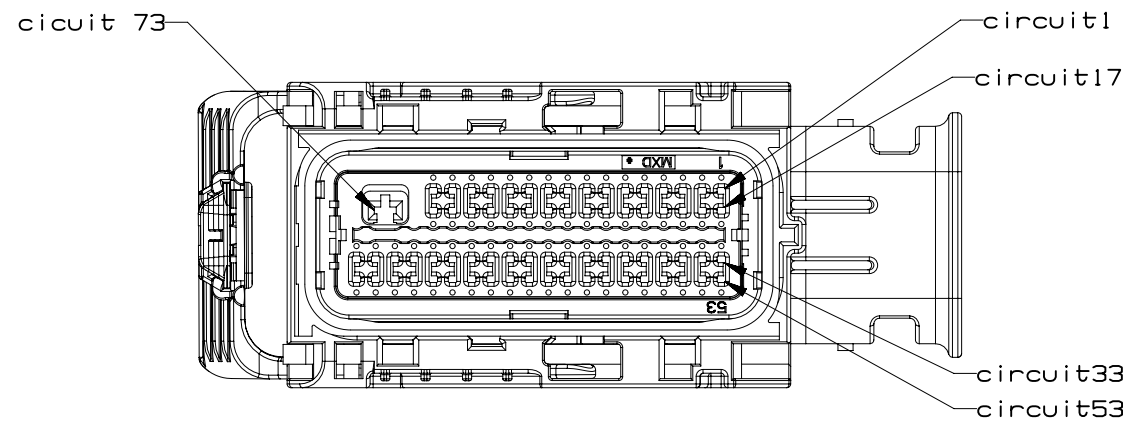
PAGE TITLE  
KEY ID REF - WIRE DRESS OPTION 9

DRAWING NUMBER  
12642695

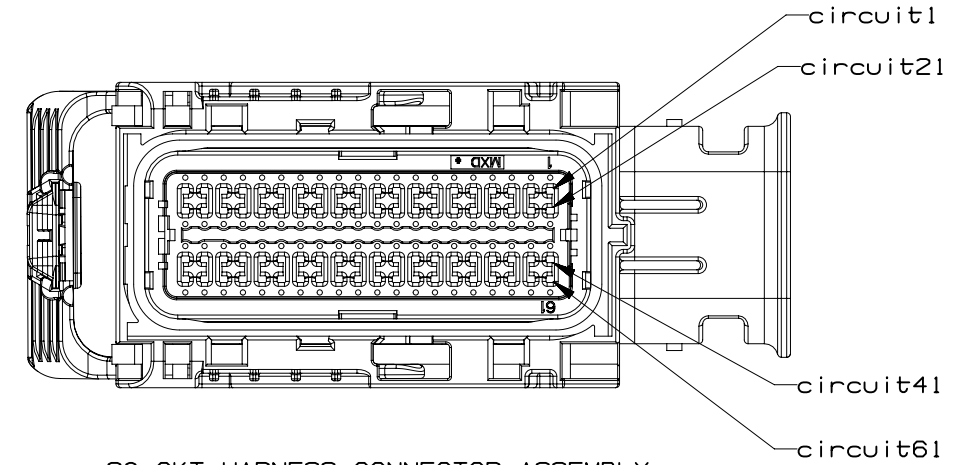
DWG STATUS		
ST	REV	PD1
R	002	

PAGE NUMBER  
12 OF 21



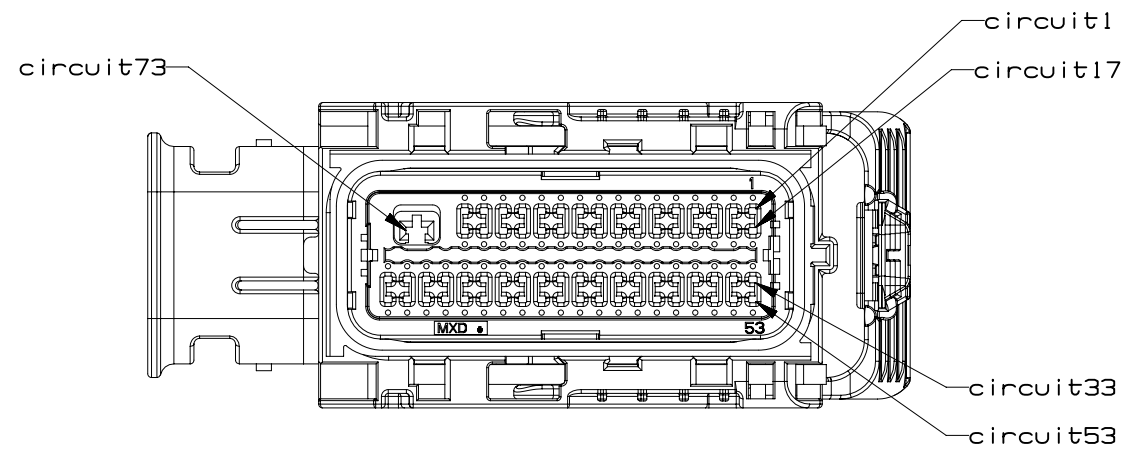


73 CKT HARNESS CONNECTOR ASSEMBLY  
WIRE DRESS OPTION 0

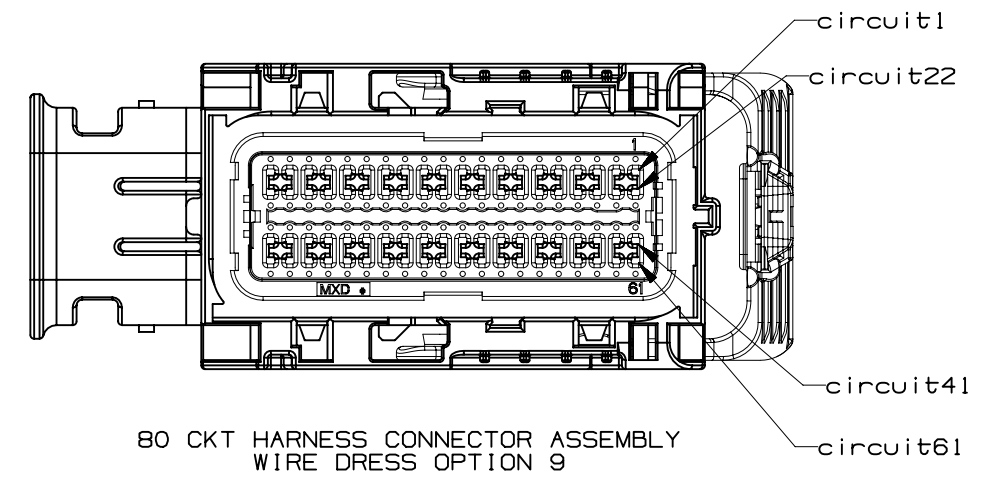


80 CKT HARNESS CONNECTOR ASSEMBLY  
WIRE DRESS OPTION 0

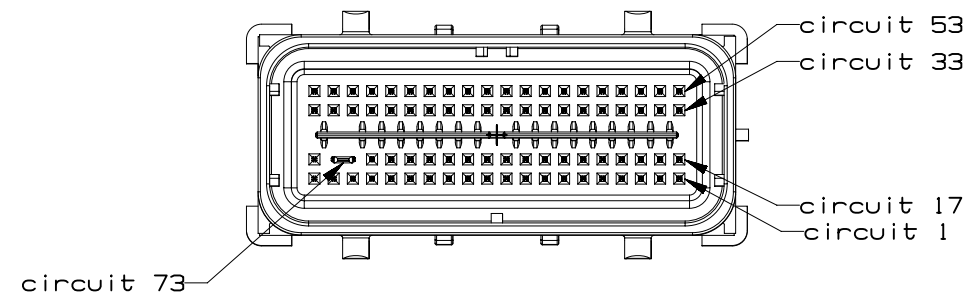
INTERFACE SIDE SHOWN ON ALL VIEWS



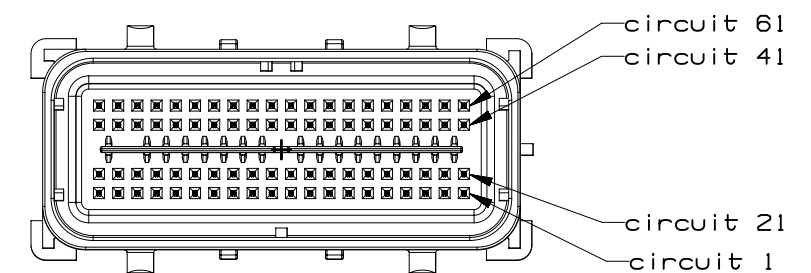
73 CKT HARNESS CONNECTOR ASSEMBLY  
WIRE DRESS OPTION 9



80 CKT HARNESS CONNECTOR ASSEMBLY  
WIRE DRESS OPTION 9

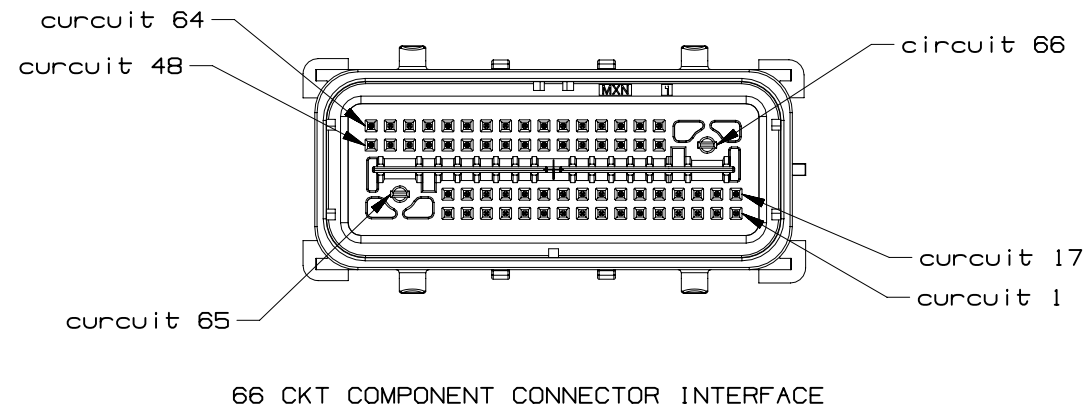
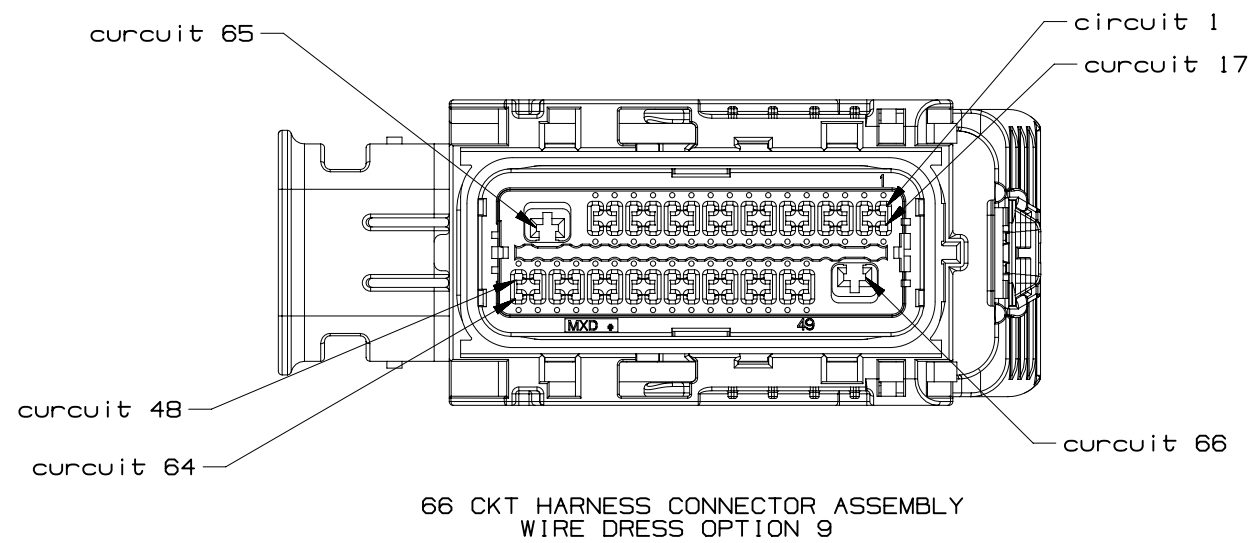
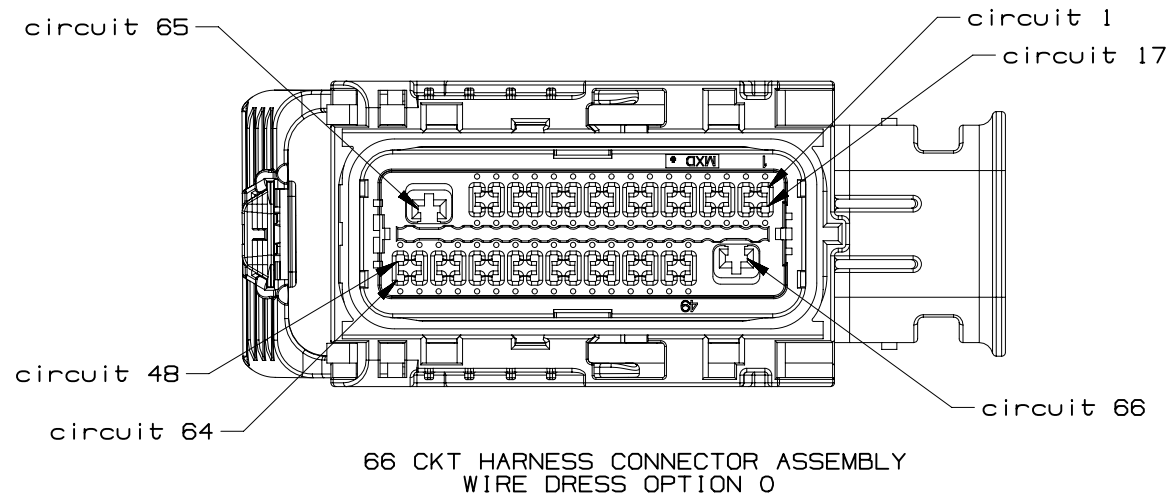



73 CKT COMPONENT CONNECTOR INTERFACE

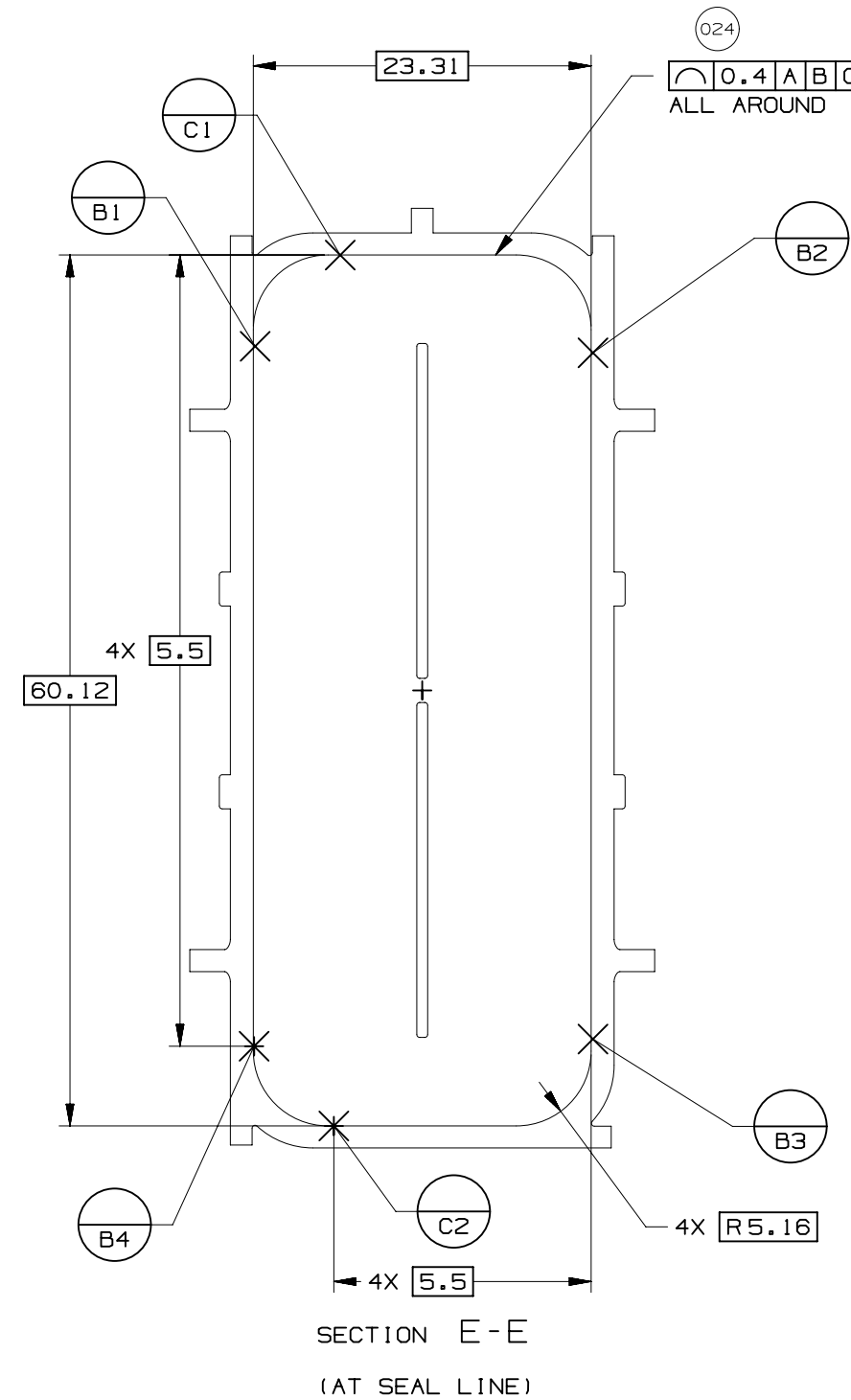
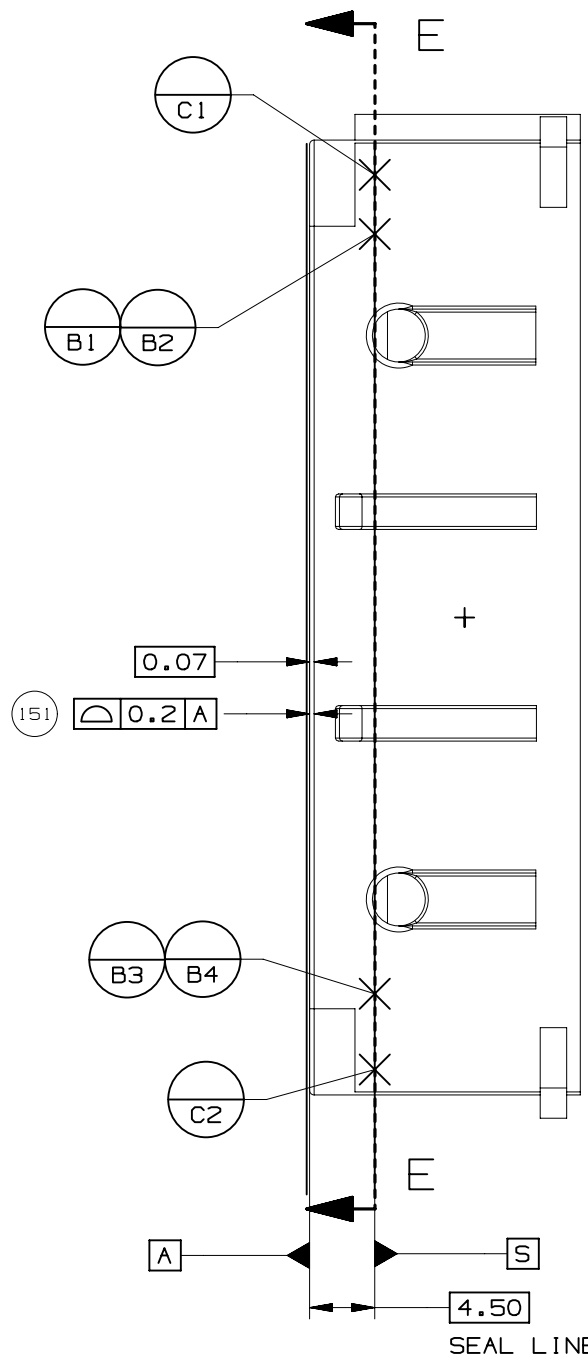
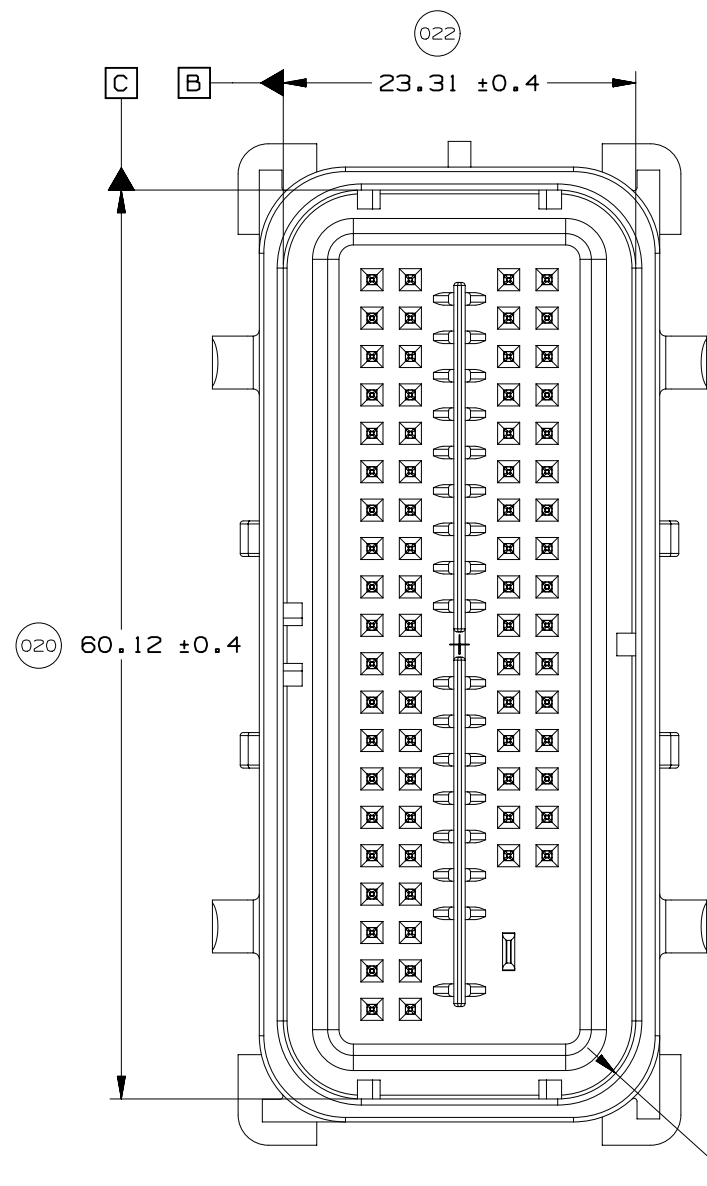
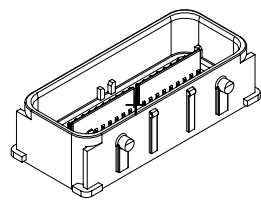


80 CKT COMPONENT CONNECTOR INTERFACE





	PAGE TITLE	DRAWING NUMBER	DWG STATUS			PAGE NUMBER	
	CIRCUIT CONFIGURATIONS		12642695	ST	REV	PDI	14 of 21
				R	002		



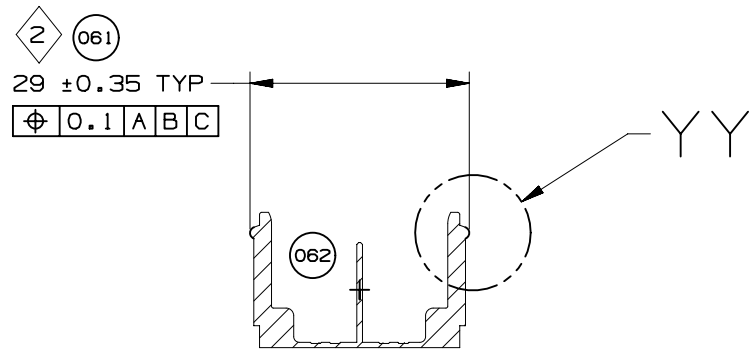
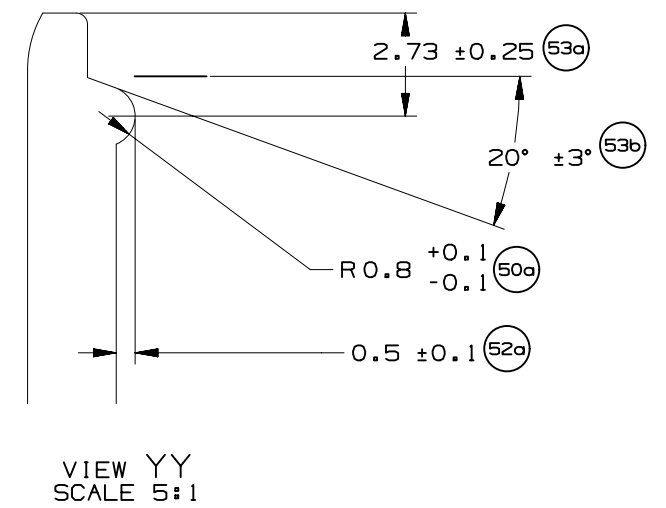
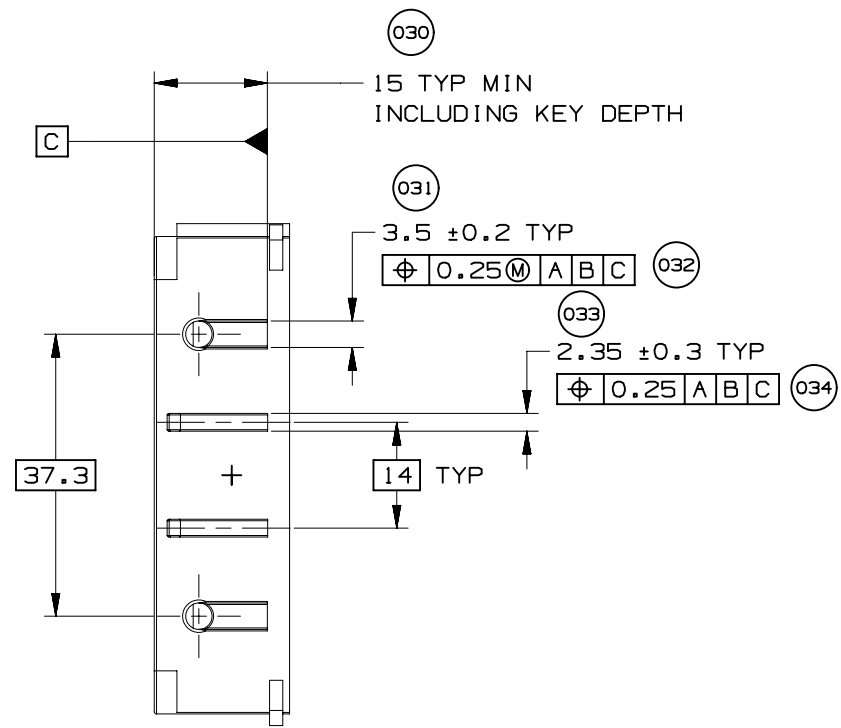
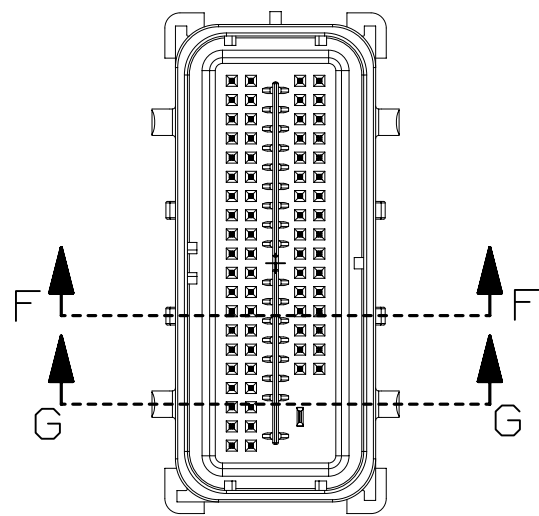
UNLESS SPECIFIED, TOLERANCE OF THE COMPONENT CONNECTOR INTERFACE TO BE  $\sqrt[0.13]{A B C}$



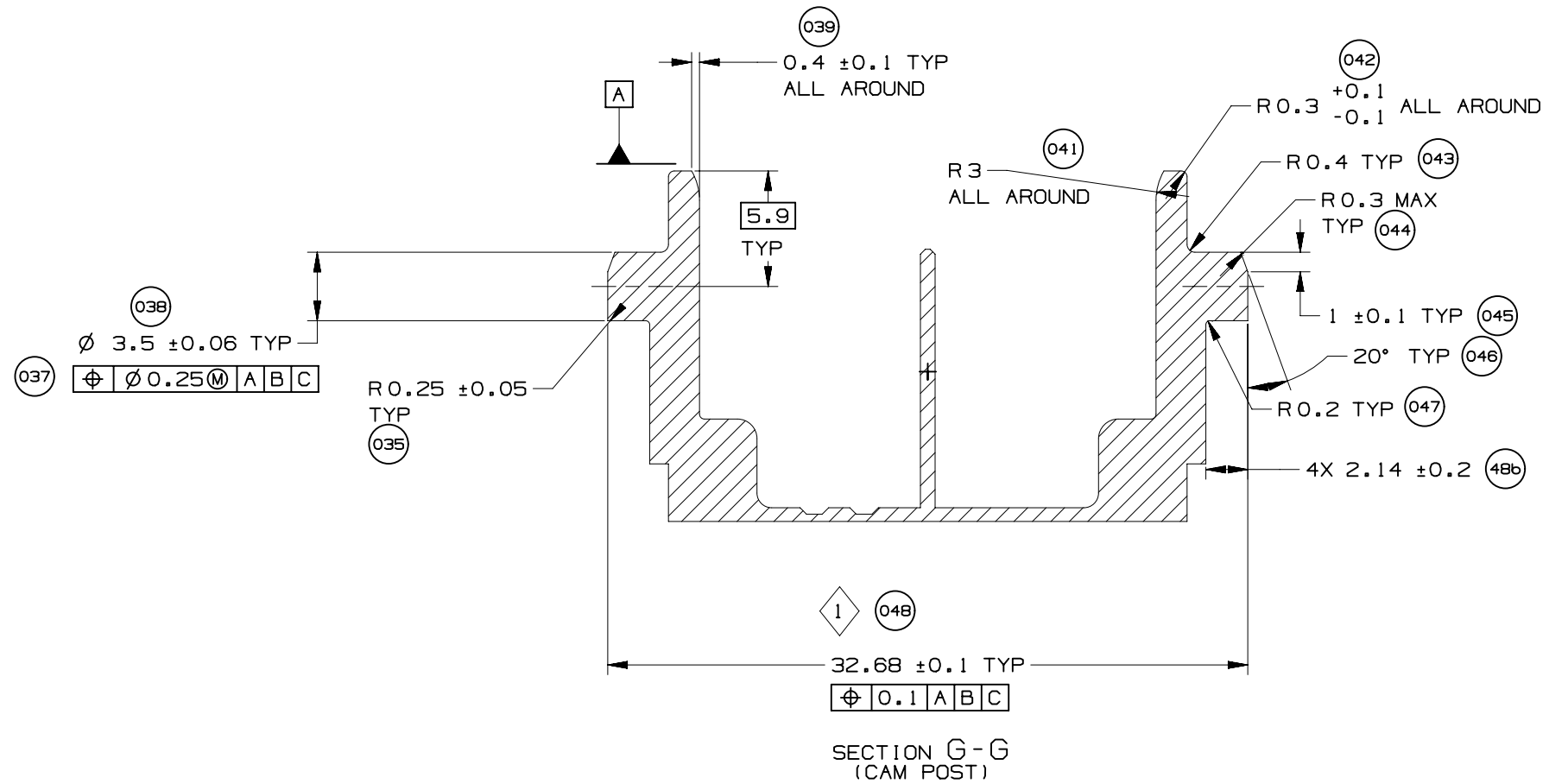
PAGE TITLE  
COMPONENT CONNECTOR INTERFACE

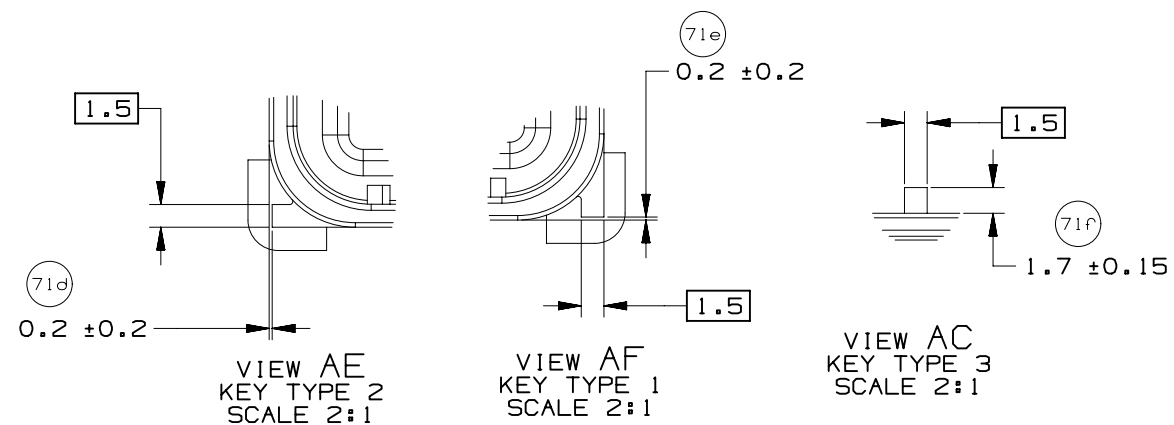
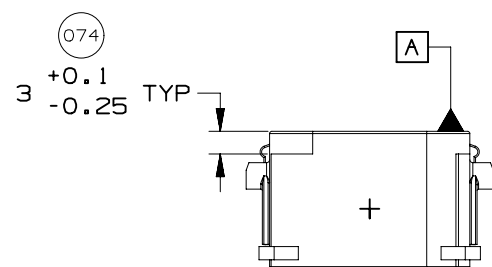
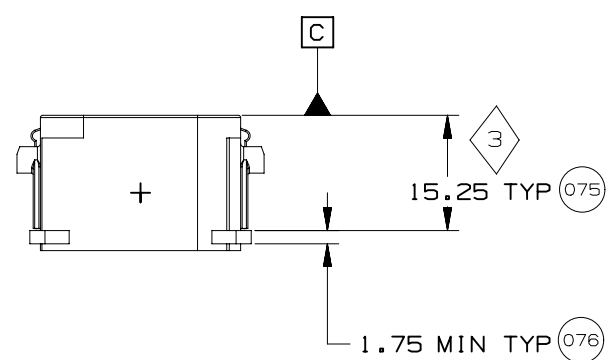
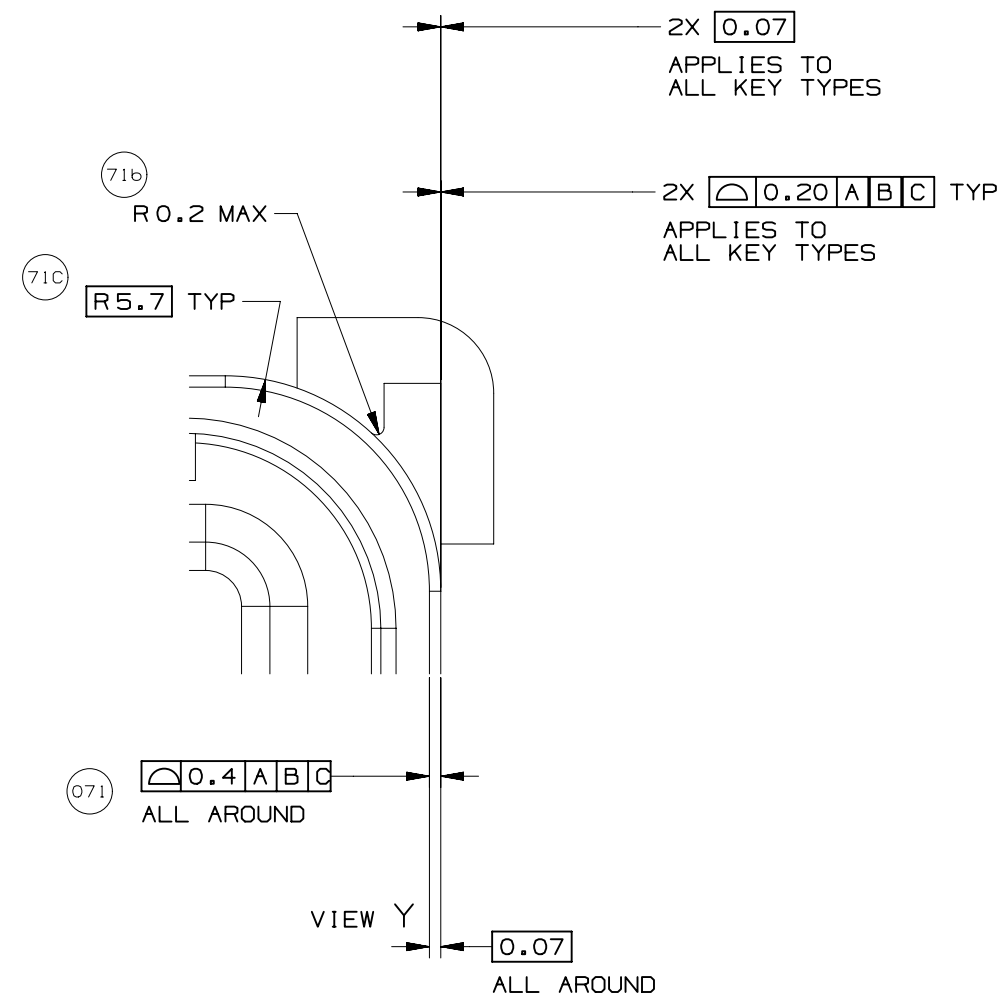
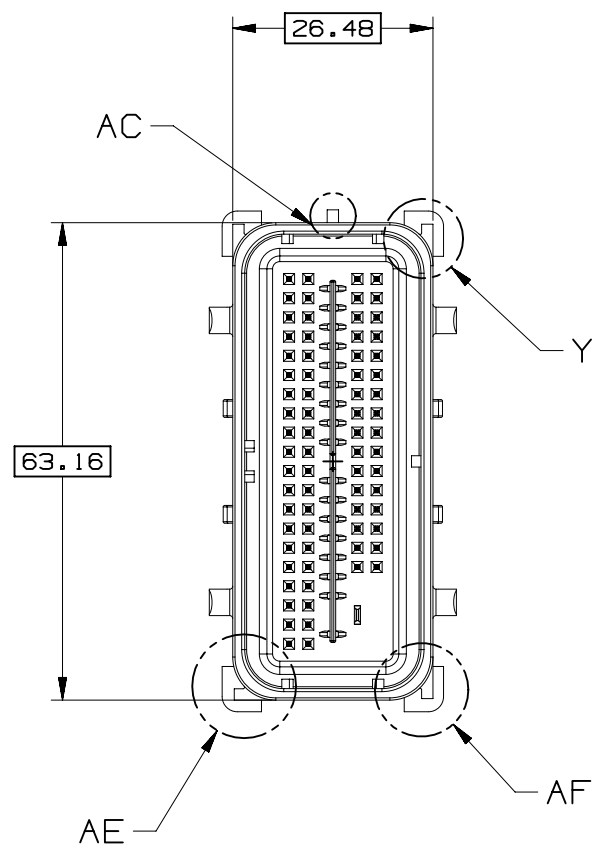
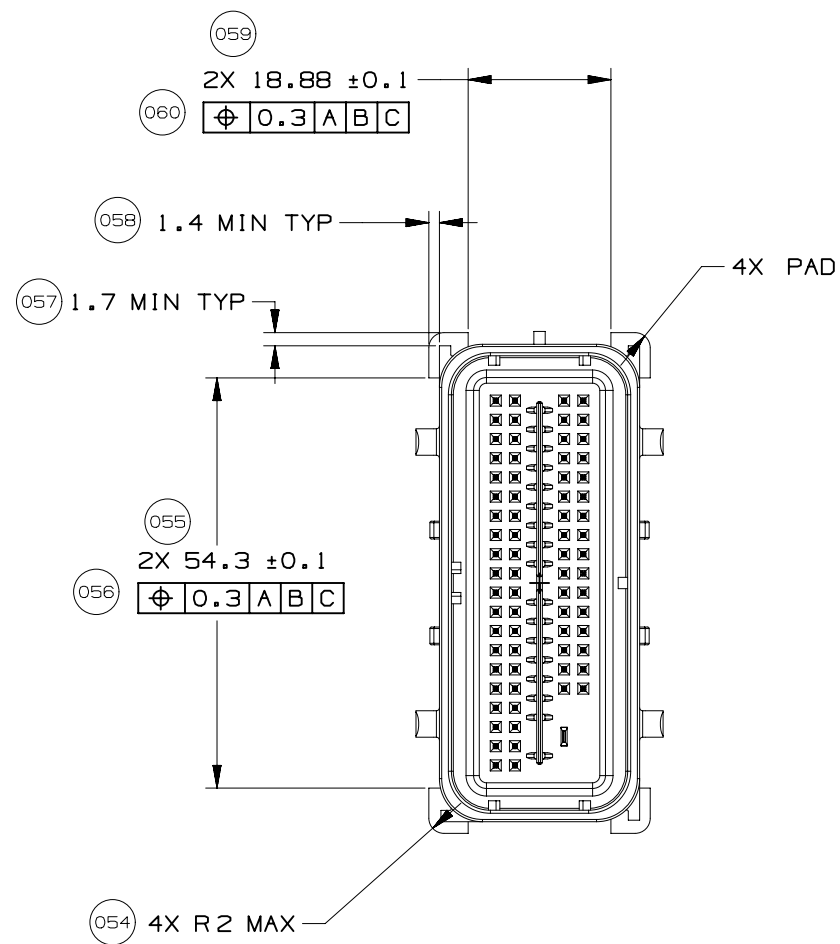
DRAWING NUMBER  
12642695

DWG STATUS			PAGE NUMBER
ST	REV	PD1	
R	002		15 OF 21



SECTION F-F

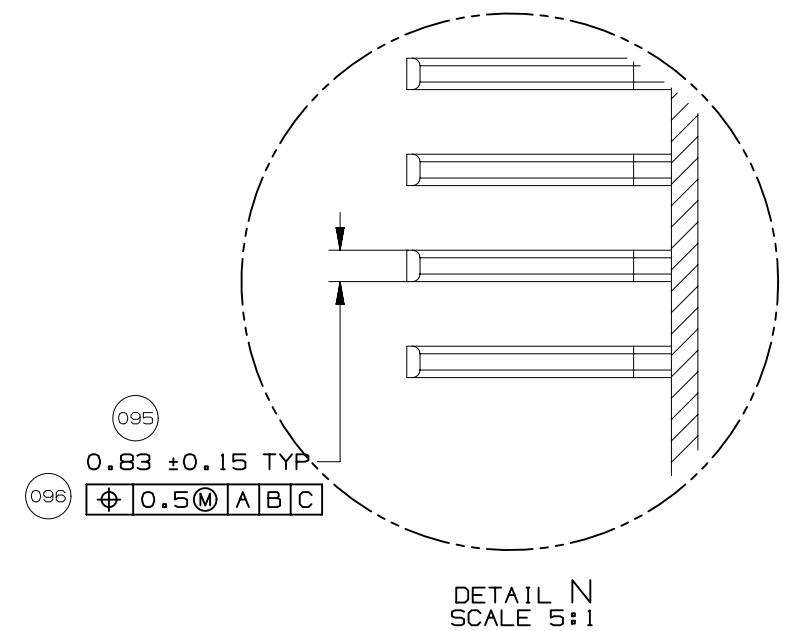
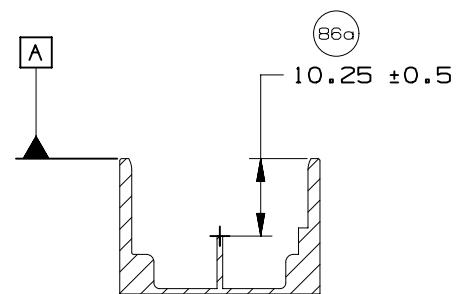
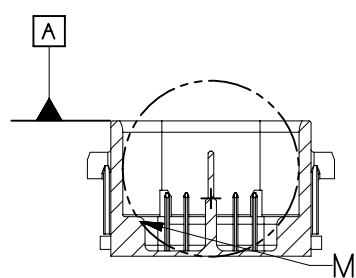
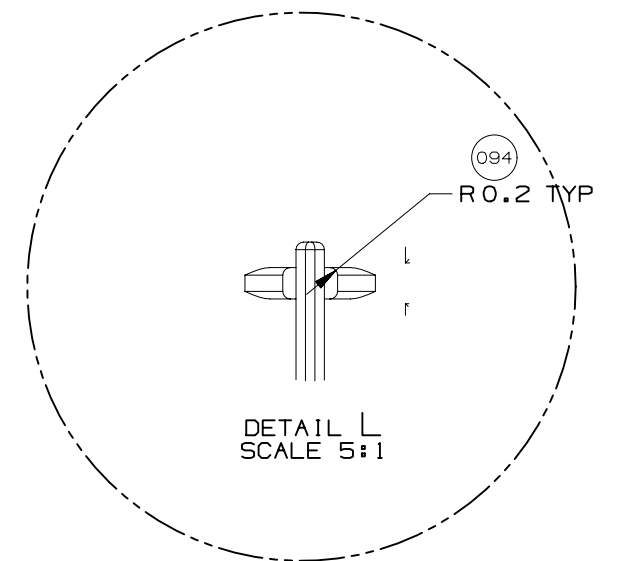
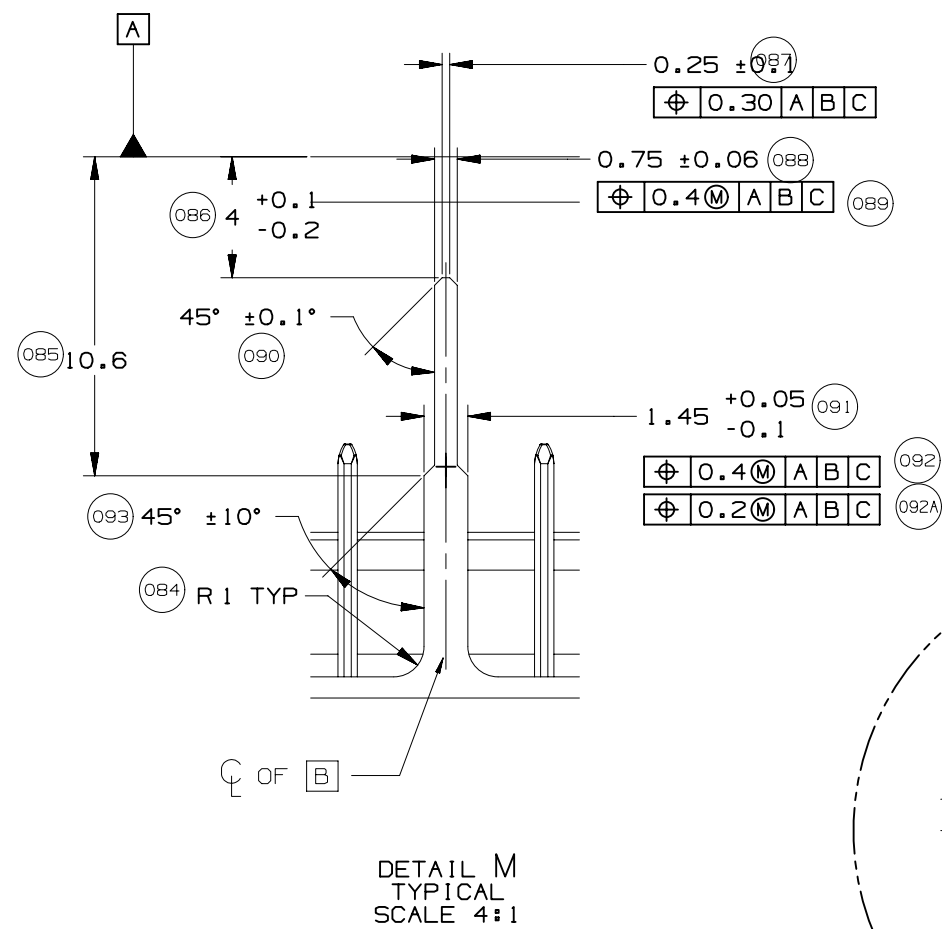
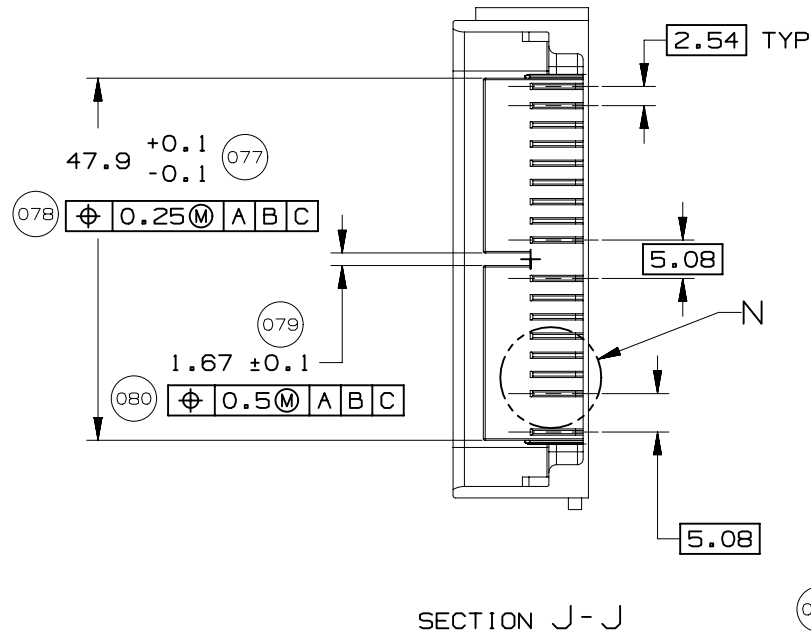
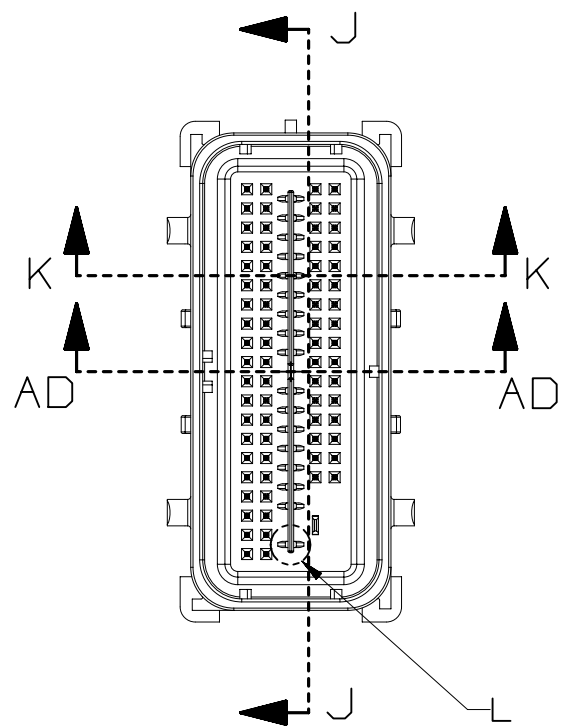


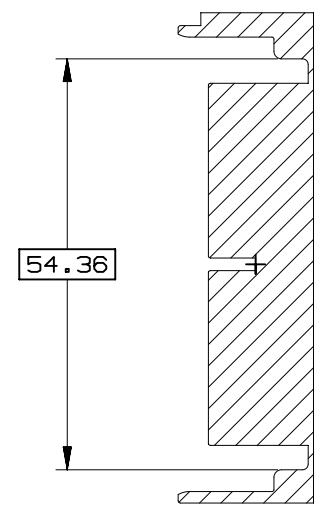
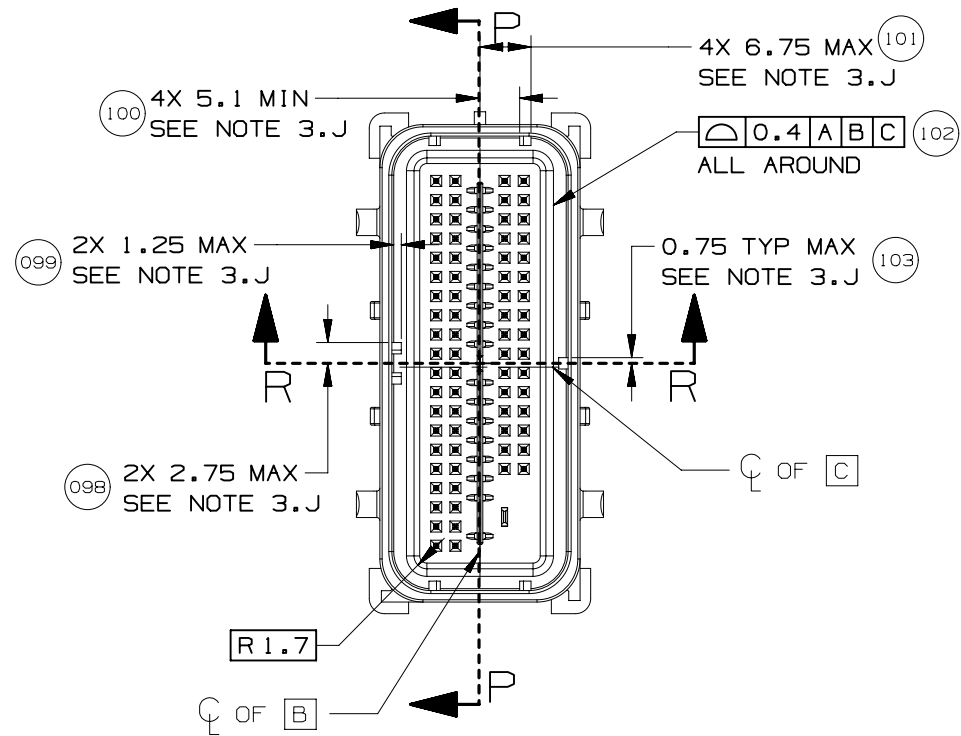


PAGE TITLE  
 COMPONENT CONNECTOR INTERFACE

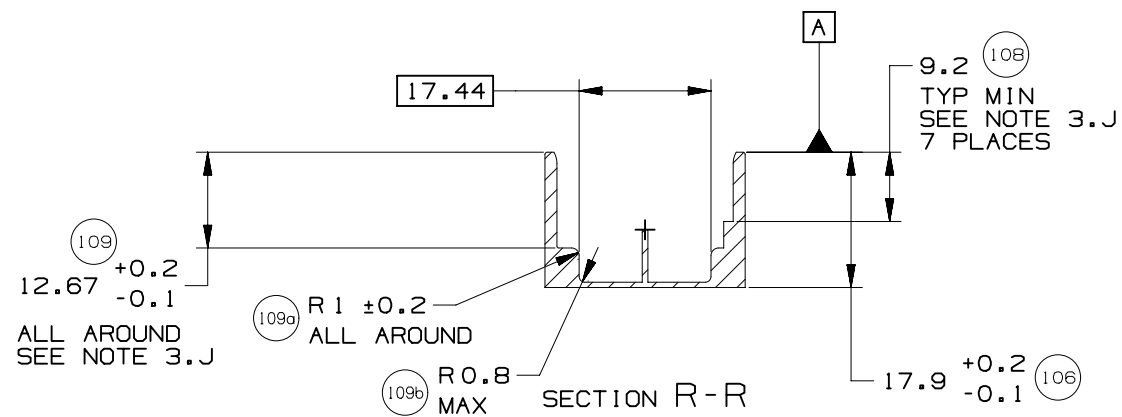
DRAWING NUMBER  
 12642695

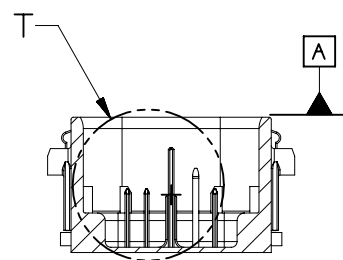
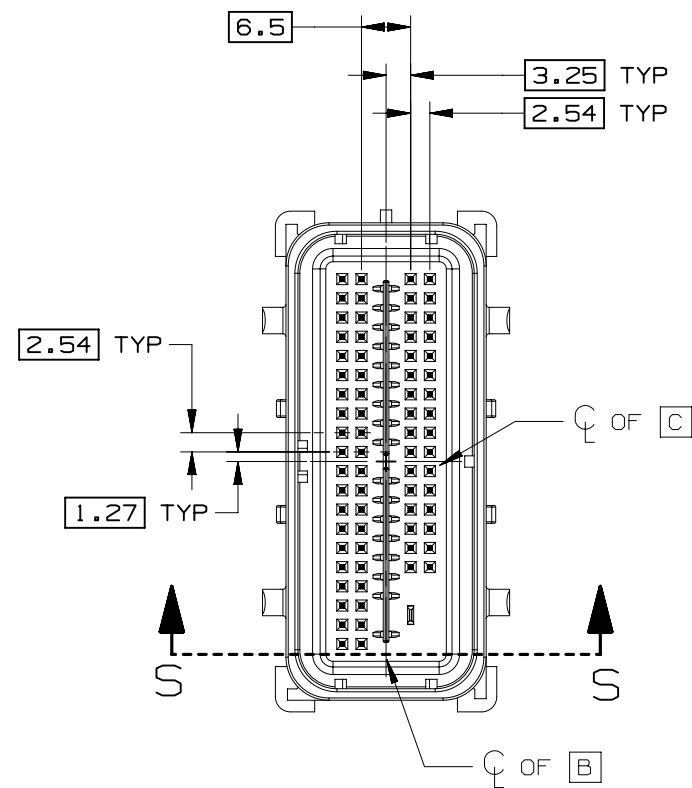
DWG STATUS			PAGE NUMBER
ST	REV	PD1	
R	002		17 OF 21



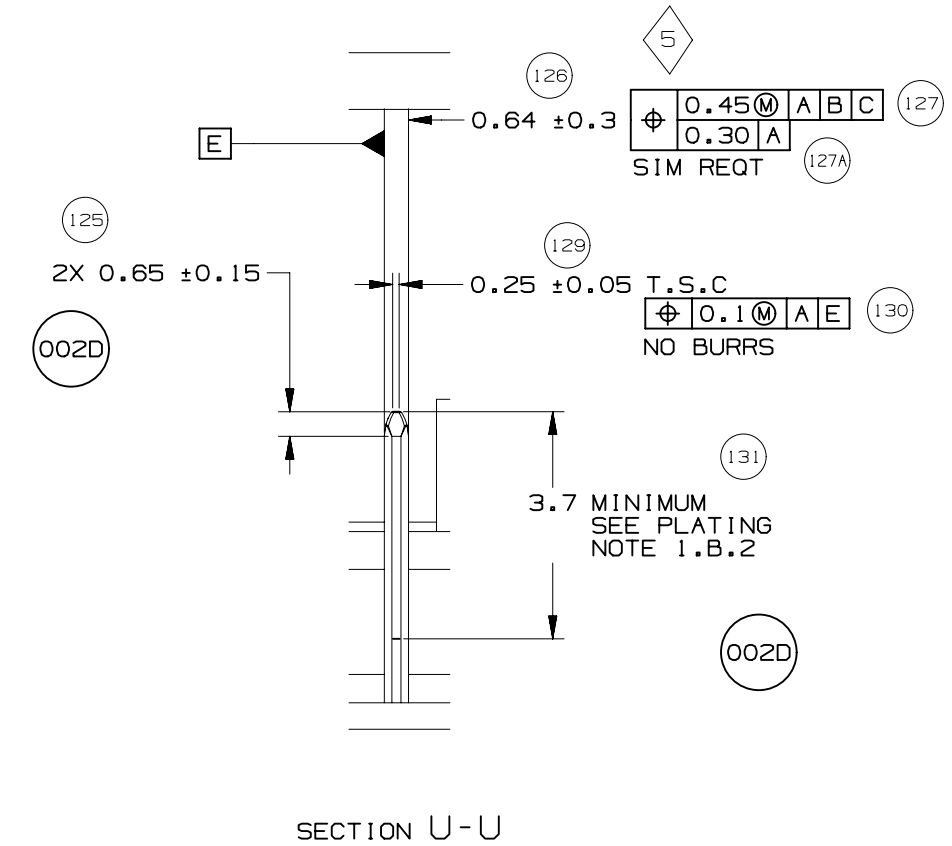
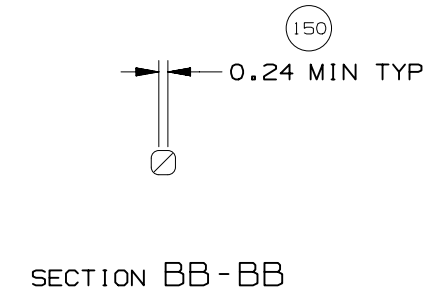
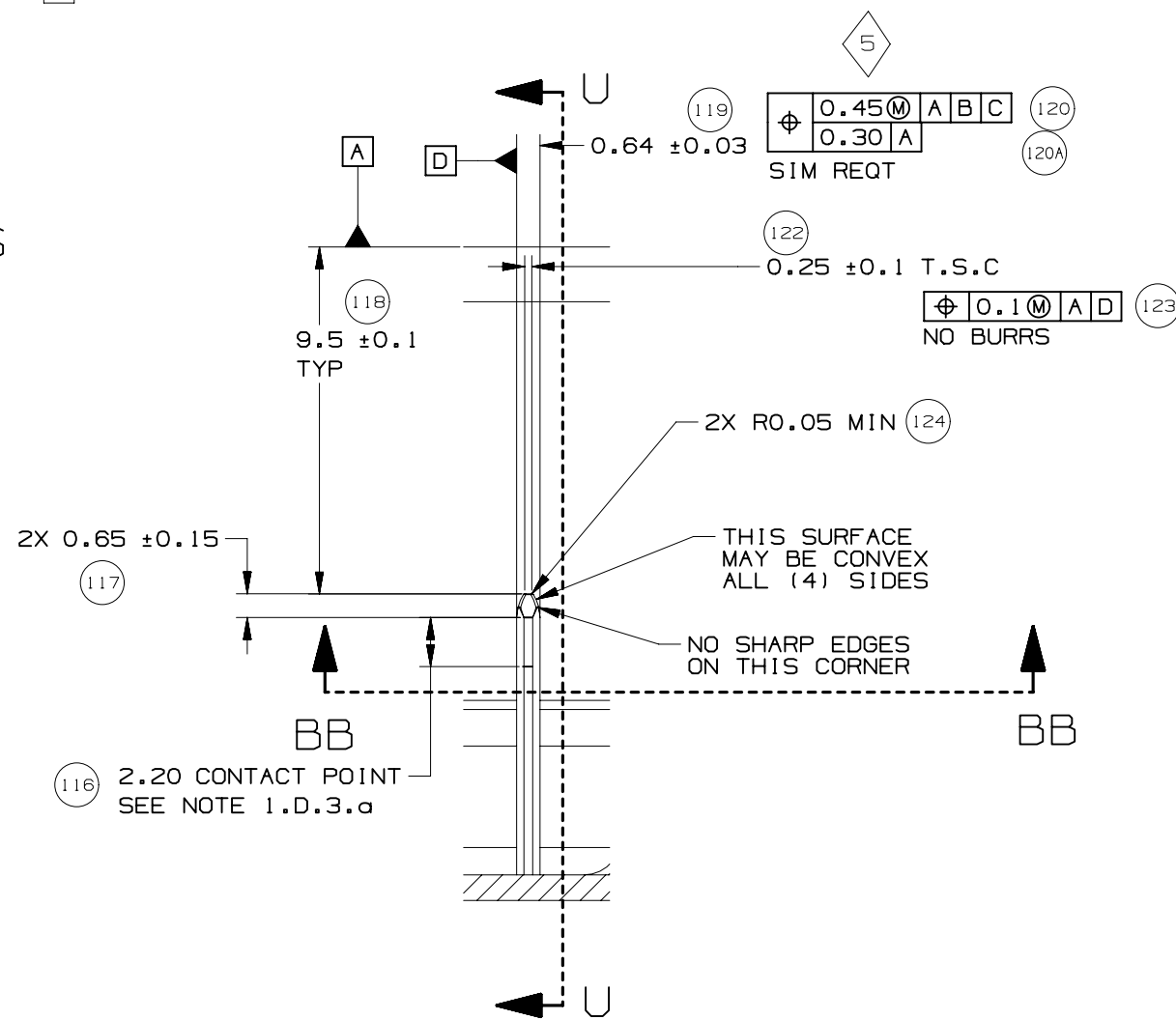


SECTION P-P

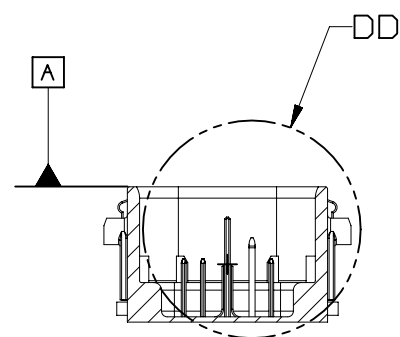
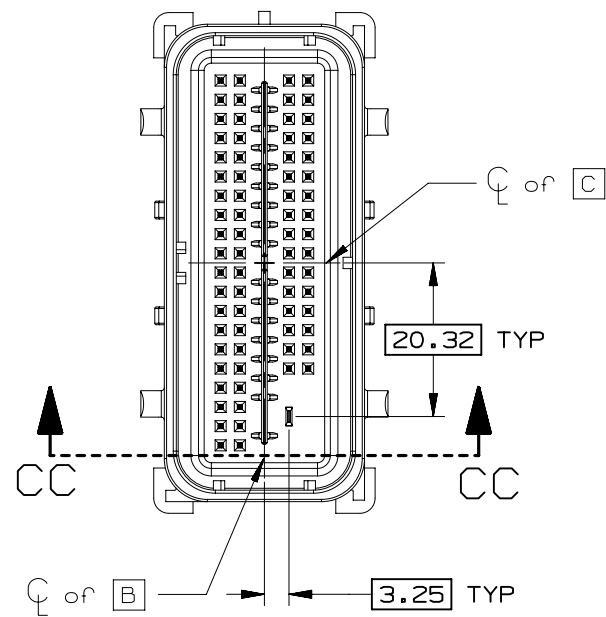




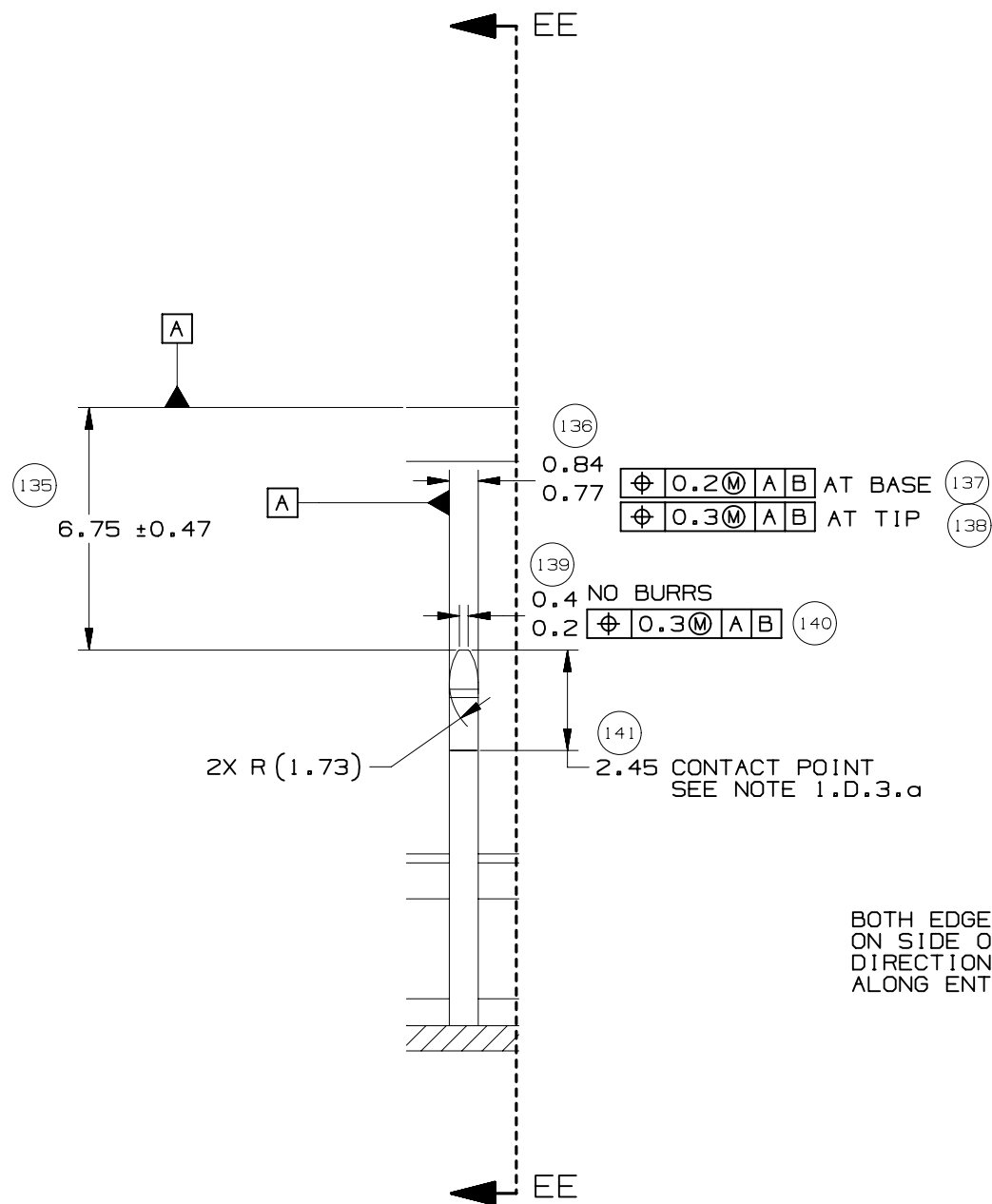
SECTION S-S



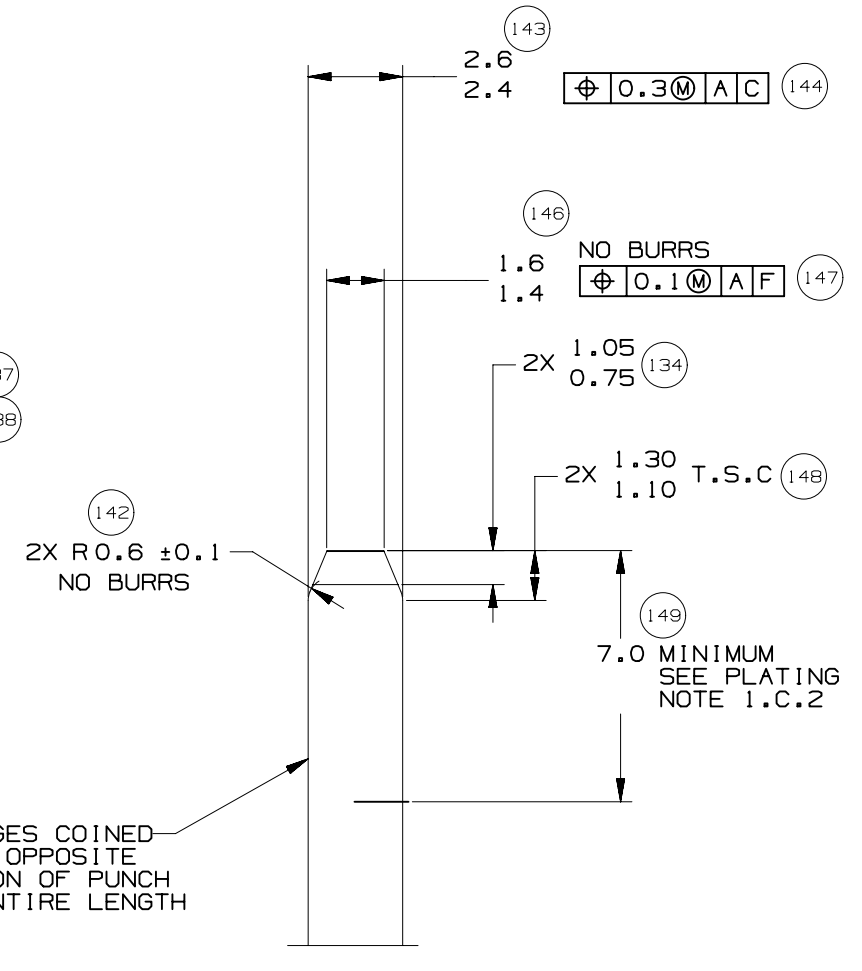




SECTION CC-CC



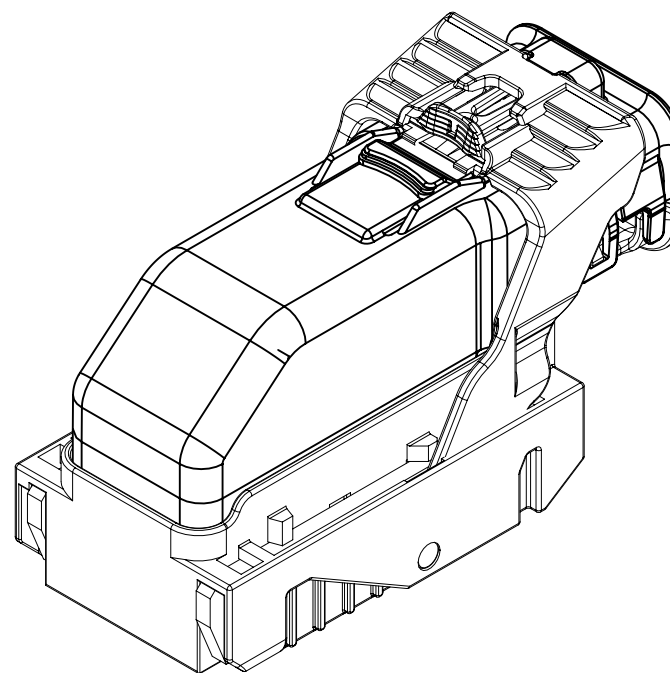
DETAIL DD  
TYPICAL  
SCALE 5:1




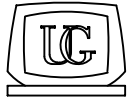
SECTION EE-EE  
TYPICAL



INDEX	
PAGE TITLE	PAGE
TITLE BLOCK	1
REVISION BLOCK	2
PART BLOCK	3
KPC BLOCK	4
COMPONENT TABLE	5
NOTES	6
NOTES	7
WIRE DRESS PACKAGING DIMENSIONS	8
LOCATION AND PACKAGING DIMENSIONS REFERENCING INTERFACE DATUMS B & C	9
LOCATION AND PACKAGING DIMENSIONS REFERENCING INTERFACE DATUM A	10
KEY ID REF - WIRE DRESS OPTION 0	11
KEY ID REF - WIRE DRESS OPTION 9	12
CIRCUIT CONFIGURATIONS	13
CIRCUIT CONFIGURATIONS	14
COMPONENT CONNECTOR INTERFACE	15
COMPONENT CONNECTOR INTERFACE	16
COMPONENT CONNECTOR INTERFACE	17
COMPONENT CONNECTOR INTERFACE	18
COMPONENT CONNECTOR INTERFACE	19
COMPONENT CONNECTOR INTERFACE	20
COMPONENT CONNECTOR INTERFACE	21
ADDITIONAL COMPONENTS REQUIRED	22




ISO VIEW

	<p><b>UNLESS OTHERWISE SPECIFIED:</b> THIS DOCUMENT IS IN ACCORDANCE WITH ASME Y14.5M-1994 AS AMMENDED BY THE GM GLOBAL DIMENSIONING AND TOLERANCING ADDENDUM-1997. ALL GEOMETRIC TOLERANCES AND RELATED DATUMS APPLY RFS. RULE #1 (PERFECT FORM AT MMC) DOES NOT APPLY WHEN A RELATIONSHIP BETWEEN FEATURES IS ESTABLISHED BY ORIENTATION OR LOCATION TOLERANCES. SEPARATE POSITION CALLOUTS MAY BE GAGED SEPARATELY REGARDLESS OF DATUM REFERENCES.</p>			DATE	
	 CHANGE RESTRICTED NO MANUAL CHANGES	REFERENCE 12H (MOLEX AUTOMOTIVE)	DRAFTER APVD1 APVD2 APVD3 APVD4 APVD5	05JN15	
DO NOT SCALE		DRAWING NAME  HARNESS CONN ASM-SEALED 52/66/73/80 CKTS, MX123			
METRIC DIMENSIONS SHOWN IN MILLIMETERS UNLESS OTHERWISE SPECIFIED					
		DRAWING NUMBER		PAGE NUMBER	
		12672833		1 OF 22	
		DWG STATUS			
		ST	REV	PDI	
		R	001		

PAGE	DWG STATUS					REVISION HISTORY	AUTH	DR	CK	ENG
	DATE	ST	REV	CHG	PDI					
	05JN15	R	001			RELEASED TO PRODUCTION AT DLS A	CRMRJE	DFK		

PAGE	DWG STATUS					REVISION HISTORY	AUTH	DR	CK	ENG
	DATE	ST	REV	CHG	PDI					

	PAGE TITLE	DRAWING NUMBER	DWG STATUS			PAGE NUMBER	
	REVISION BLOCK		12672833	ST	REV	PDI	2 OF 22
				R	001		



KEY PRODUCT CHARACTERISTICS  
(IN ACCORDANCE WITH QN 1805 OR ON 1050)



SAFETY/COMPLIANCE

TOTAL ON  
DRAWING

4



FIT/FUNCTION

LAST NO.  
USED

4

NO	TYPE	DESCRIPTION	RATIONALE	PAGE/ZONE
1	F/F	32.68	IMPROVE CONNECTOR SYSTEM MATING	16
2	F/F	29.00	INSURE PROPER RELEASE OF LEVER	16
3	F/F	15.25	INSURE FINAL MATE POSITION	17
4	F/F	POSITIONAL TOLERANCE (2 PLACES)	INSURE CONNECTOR SYSTEM MATEABILITY	20



PAGE TITLE  
KPC BLOCK

DRAWING NUMBER

12672833

DWG STATUS

ST	REV	PDI
----	-----	-----

R	001	
---	-----	--

PAGE NUMBER

4 OF 22

LINE	MFG.	MFG. P/N	GM P/N	EFFECTIVE DATE	APPLICABLE COMPONENTS	KEY OPTION	WIRE DRESS OPTION	KEY CONFIG.	COLOR	STATUS
					DESCRIPTION					
-										
1	MOLEX	34565-0003	12582676	02JN03	MX123 DRESS COVER 52/66/73/80 CKT	N/A	N/A	N/A	BLACK	AVAILABLE
2	MOLEX	160094-0001	12672852	01SP13	MX123 HRNS CONN ASSY 52 CKT	A	0	1458	BLACK	AVAILABLE
3	MOLEX	160094-0003	12672854	01SP13	MX123 HRNS CONN ASSY 52 CKT	C	0	2467	BLUE	AVAILABLE
4	MOLEX	160094-0013	12672853	01SP13	MX123 HRNS CONN ASSY 52 CKT	A	9	1458	BLACK	AVAILABLE
5	MOLEX	160094-0015	12672855	01SP13	MX123 HRNS CONN ASSY 52 CKT	C	9	2467	BLUE	AVAILABLE
6	MOLEX	34822-0013	12672856	01SP13	MX123 HRNS CONN ASSY 66 CKT	A	0	1458	BLACK	AVAILABLE
7	MOLEX	34822-0033	12672858	01SP13	MX123 HRNS CONN ASSY 66 CKT	C	0	2467	BLUE	AVAILABLE
8	MOLEX	34822-0023	12672857	01SP13	MX123 HRNS CONN ASSY 66 CKT	A	9	1458	BLACK	AVAILABLE
9	MOLEX	34822-0043	12672859	01SP13	MX123 HRNS CONN ASSY 66 CKT	C	9	2467	BLUE	AVAILABLE
10	MOLEX	34566-0103	12672860	11JN04	MX123 HRNS CONN ASSY 73 CKT	A	0	1458	BLACK	AVAILABLE
11	MOLEX	34566-0203	12672862	11JN04	MX123 HRNS CONN ASSY 73 CKT	B	0	1468	ST GRAY	AVAILABLE
12	MOLEX	34566-0303	12672864	09AP08	MX123 HRNS CONN ASSY 73 CKT	C	0	2467	BLUE	AVAILABLE
13	MOLEX	34566-0603	12672866	05DC14	MX123 HRNS CONN ASSY 73 CKT	F	0	1357	NATURAL	AVAILABLE
14	MOLEX	34566-1303	12672861	11JN04	MX123 HRNS CONN ASSY 73 CKT	A	9	1458	BLACK	AVAILABLE
15	MOLEX	34566-1403	12672863	11JN04	MX123 HRNS CONN ASSY 73 CKT	B	9	1468	ST GRAY	AVAILABLE
16	MOLEX	34566-1503	12672865	09AP08	MX123 HRNS CONN ASSY 73 CKT	C	9	2467	BLUE	AVAILABLE
17	MOLEX	34566-1803	12672867	05DC14	MX123 HRNS CONN ASSY 73 CKT	F	9	1357	NATURAL	AVAILABLE
18	MOLEX	34566-0703	12672872	09AP08	MX123 HRNS CONN ASSY 80 CKT	G	0	1358	BLUE	AVAILABLE
19	MOLEX	34566-0803	12672870	11JN04	MX123 HRNS CONN ASSY 80 CKT	H	0	2458	ST GRAY	AVAILABLE
20	MOLEX	34566-0903	12672868	T.B.D	MX123 HRNS CONN ASSY 80 CKT	J	0	2457	BLACK	NOT ACTIVE
21	MOLEX	34566-1903	12672873	09AP08	MX123 HRNS CONN ASSY 80 CKT	G	9	1358	BLUE	AVAILABLE
22	MOLEX	34566-2003	12672871	11JN04	MX123 HRNS CONN ASSY 80 CKT	H	9	2458	ST GRAY	AVAILABLE
23	MOLEX	34566-2103	12672869	T.B.D	MX123 HRNS CONN ASSY 80 CKT	J	9	2457	BLACK	NOT ACTIVE
24	MOLEX	34736-0028	12672851	01AU10	MX64 RCPT TERM Ag 0.5mm/0.75mm ISO GAGE B (RIGHT PAYOFF)	N/A	N/A	N/A	N/A	AVAILABLE
25	MOLEX	34736-0026	12672850	01AU10	MX64 RCPT TERM Ag 0.35mm ISO GAGE B (RIGHT PAYOFF)	N/A	N/A	N/A	N/A	AVAILABLE
26	MOLEX	34586-0001	12674820	11JN04	MX123 0.64mm GROMMET PLUG	N/A	N/A	N/A	NATURAL	AVAILABLE
27	YAZAKI	7116-4150-02	12588066	02JN03	2.8mm YESC SEALED FEMALE TERMINAL TIN 0.35mm2-0.50mm2	N/A	N/A	N/A	N/A	NOT ACTIVE
28	YAZAKI	7116-4151-02	12588067	02JN03	2.8mm YESC SEALED FEMALE TERMINAL TIN 0.75mm2-1.0mm2	N/A	N/A	N/A	N/A	NOT ACTIVE
29	YAZAKI	7116-4152-02	12582685	02JN03	2.8mm YESC SEALED FEMALE TERMINAL TIN 1.5mm2-2.5mm2	N/A	N/A	N/A	N/A	AVAILABLE
30	YAZAKI	7158-3111-60	12588068	02JN03	2.8mm CABLE SEAL (wire O.D. range 1.2mm-1.9mm)	N/A	N/A	N/A	GREEN	NOT ACTIVE
31	YAZAKI	7158-3112-70	12588069	02JN03	2.8mm CABLE SEAL (wire O.D. range 1.8mm-2.3mm)	N/A	N/A	N/A	YELLOW	NOT ACTIVE
32	YAZAKI	7158-3113-40	12582686	02JN03	2.8mm CABLE SEAL (wire O.D. range 2.1mm-3.0mm)	N/A	N/A	N/A	WHITE	AVAILABLE
33	YAZAKI	7158-3114-90	12674821	02JN03	2.8mm YESC CAVITY PLUG	N/A	N/A	N/A	BLUE	AVAILABLE
34	MOLEX	63825-8400	N/A	02JN03	MX64 TERM HAND CRIMP TOOL	N/A	N/A	N/A	N/A	AVAILABLE
35	MOLEX	63813-1400	XX019826	02JN03	MX64 TERM SERVICE TOOL	N/A	N/A	N/A	N/A	AVAILABLE
36	MOLEX	63902-5300	N/A	02JN03	MX64 CRIMP APPLICATOR with TOOL KIT 0.5/0.75mm2 PAYOFF DIRECTION D (left payoff) (contact Molex for payoff detail)	N/A	N/A	N/A	N/A	AVAILABLE
37	MOLEX	63902-5370	N/A	02JN03	MX64 APPLICATOR TOOL KIT 0.5/0.75mm2	N/A	N/A	N/A	N/A	AVAILABLE
38	MOLEX	63902-5100	N/A	02JN03	MX64 CRIMP APPLICATOR with TOOL KIT 0.35mm2 PAYOFF DIRECTION D (left payoff) (contact Molex for payoff detail)	N/A	N/A	N/A	N/A	AVAILABLE
39	MOLEX	63902-5170	N/A	02JN03	MX64 APPLICATOR TOOL KIT 0.35mm2	N/A	N/A	N/A	N/A	AVAILABLE
40	SPX	J35616-64	T.B.D.	02JN03	0.64mm PROBE TOOL (for rcpt)	N/A	N/A	N/A	N/A	AVAILABLE
41	SPX	J35616-64A	T.B.D.	02JN03	0.64mm PROBE TOOL WITH EXT (for rcpt)	N/A	N/A	N/A	N/A	AVAILABLE
42	SPX	J35616-65	T.B.D.	02JN03	0.64mm PROBE TOOL WITH EXT (for pin)	N/A	N/A	N/A	N/A	AVAILABLE
43	SPX	J35616-4A	T.B.D.	02JN03	2.8mm PROBE TOOL (for rcpt)	N/A	N/A	N/A	N/A	AVAILABLE
44	YAZAKI	X39899-J374	12094430	02JN03	2.8mm TERM SERVICE TOOL	N/A	N/A	N/A	N/A	AVAILABLE
45	TQI	7000-1006	N/A	15JN15	52 CKT PASS THROUGH ADAPTERS	N/A	N/A	N/A	BLACK	AVAILABLE
46	TQI	7000-1002	N/A	15JN15	66 CKT PASS THROUGH ADAPTERS	N/A	N/A	N/A	BLACK	AVAILABLE
47	TQI	79917-0061	N/A	15JN15	73 CKT PASS THROUGH ADAPTERS	N/A	N/A	N/A	BLACK	AVAILABLE
48	TQI	79917-0066	N/A	15JN15	80 CKT PASS THROUGH ADAPTERS	N/A	N/A	N/A	BLACK	AVAILABLE

\* - MX123 DRESS COVER 52/66/73/80 CKT MATES TO ANY MX123 HARN CONN ASSY SHOWN ON TABLE ABOVE



PAGE TITLE  
COMPONENT TABLE

DRAWING NUMBER

12672833

DWG STATUS

ST REV PDI

R 001

PAGE NUMBER

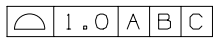
5 OF 22

NOTES: UNLESS OTHERWISE SPECIFIED

1. MATERIAL FOR INTERFACE:


- A. RESIN:
  - 1. 30% G.F. PBT; 20% MAX. (BY WEIGHT) REGRIND.
  - 2. MATING CONNECTOR INTERFACE PART COLOR MUST BE SAME AS MATCHING KEYED HARNESS CONNECTOR ASSEMBLY.
  - 3. MUST BE VALIDATED FOR INDIVIDUAL DEVICE APPLICATION REQUIREMENTS.
- B. 0.64MM PINS:
  - 1. BASE MATERIAL: COPPER ALLOY; CONDUCTIVITY >= 28% IACS AT 20°C; TENSILE STRENGTH >= 635 N/mm<sup>2</sup>; SURFACE ROUGHNESS R<sub>a</sub> 6 MAX.
  - 2. PLATING FINISH: SILVER (Ag). PLATING TO BE 1.9-3.3 μm ELECTRODEPOSITED SEMI-BRIGHT SILVER OVER 1.25-2.25 μm DUCTILE SULPHAMATE NICKEL PER NOTE 1(D).
  - 3. ANTI-TARNISH: SYNTHETIC HYDROCARBON CONTACT SURFACE FINISH OR EQUIVALENT APPLIED WITHOUT VOID TO CONTACT AREA (MIN 3.7mm FROM PIN TIP).
- C. 2.8MM BLADE:
  - 1. BASE MATERIAL: COPPER ALLOY; CONDUCTIVITY >= 28% IACS AT 20°C; TENSILE STRENGTH >= 350 N/mm<sup>2</sup>; SURFACE ROUGHNESS R<sub>a</sub> 6 MAX.
  - 2. PLATING FINISH: TIN. PLATING TO BE 2.5-5.0 μm ELECTRODEPOSITED TIN, MATTE FINISH OVER 1.25-2.5 μm DUCTILE SULPHAMATE NICKEL PER NOTE 1(D).
- D. PLATING REQUIREMENTS:
  - 1. SILVER PLATING
    - a. 99.5% PURE SEMI-BRIGHT WITH NO ORGANIC BRIGHTNERS OR CHROMATES.
  - 2. NICKEL PLATING
    - a. ELECTRODEPOSITED DUCTILE SULFAMATE NICKEL WITH A NON-BRIGHTENED FINISH. NO ORGANIC OR BRIGHTENING AGENTS SHALL BE ALLOWED.
    - b. SHALL ONLY BE USED AS AN UNDERLYING PLATING AND MAY NOT BE USED AS AN ELECTRICAL CONTACT SURFACE PLATING.
    - c. SHALL BE NODULE FREE WHEN VIEWED AT 10X MAGNIFICATION IN MEASURED IN CONTACT SURFACE AREA PLUS 0.5MM PERIMETER AROUND THE CONTACT SURFACE AREA.
    - d. ALL PLATINGS SHALL HAVE A 1.0% MAXIMUM BY WEIGHT IMPURITIES. IMPURITIES ARE DEFINED AS ALL ELEMENTS NOT THE PRIMARY PLATING OR HARDENING AGENT IF APPLICABLE, AS DETERMINED BY WET CHEMICAL ANALYSIS OR AUGER METHOD. NO SINGLE IMPURITY SHALL EXCEED 0.1% MAXIMUM BY WEIGHT.
  - 3. TESTING
    - a. THICKNESS TO BE MEASURED IN CONTACT SURFACE AREA PLUS 0.5MM PERIMETER AROUND THE CONTACT SURFACE AREA AS DESIGNATED IN THE DRAWING. THICKNESS SHALL BE DETERMINED BY METHOD OF X-RAY (XRF).
    - b. PLATING ADHESION SHALL BE TESTED BY A BEND TEST FOR ALL METALS. THE TEST SAMPLE SHALL BE BENT 90 DEGREES TO DETERMINE DEPOSIT ADHESION. TESTING SHALL BE COMPLETED IN ACCORDANCE WITH ASTM SPEC B571.

2. DESIGN - GENERAL:

- A. THIS IS A 100% CAD GENERATED PART. THE CAD MATHEMATICAL DATA IS THE MASTER FOR THIS PART. FOR DIMENSIONAL OR ANY INFORMATION NOT SHOWN ON THIS DRAWING, ANALYZE THE CAD MODEL.
- B. TOLERANCES:
  - 1. LINEAR
    - 0.X ± 0.30
    - 0.XX ± 0.10
    - 0.XXX ± 0.10
  - 2. ANGULAR X° ± 3°
  - 3. 
- C. MINIMUM WALL THICKNESS REQUIRED: 1.3mm.
- D. CORNERS SHOWN AS SHARP TO BE R 0.2 MAX.
- E. LETTERING SHALL BE 0.15 MAX RAISED IN 0.20 MAX RECESS PAD. THIS INCLUDES MATERIAL CODE, RECYCLING CODE, CAVITY ID AND DATE CODE.
- F-1. PARTS MUST BE FREE OF DISCOLORATION, SALT RESIDUE AND OTHER IMPERFECTIONS THAT AFFECT FIT OR FUNCTION.
- F-2. SCRATCHES OR DENTS NOT TO EXCEED 0.013mm IN DEPTH.
- G. FOLLOWING PRODUCTION CODES TO BE PERMANENTLY MARKED & HUMAN READABLE TO A LETTER HEIGHT OF 1.5 ± 0.5MM X 0.3 MAX DEEP
  - 1. MATERIAL #: XXXXX-XXXX
  - 2. DATE CODE: JJYY (JULIAN DAY, LAST DIGIT OF YEAR)
  - 3. INSPECTION MACHINE CODE + SERIAL #: X\_XXXXX

3. DESIGN - MANUFACTURING:

- A. DRAFT TO BE WITHIN TOLERANCE.
- B. ALLOWABLE FLASH MAX 0.2 HIGH X MAX 0.13 THICK.
- C. ALLOWABLE PARTING LINE MISMATCH 0.2 MAX.
- D. EJECTOR PINS MARK TO BE FLUSH TO 0.25 MAX DEPRESSED.
- E. ALLOWABLE GATE VESTIGE FLUSH TO 0.25 MAX PROTRUSION.
- F. NO EXTERNAL MOLD RELEASE AGENT ALLOWED DURING MANUFACTURING.
- G. STEEL THAT FORMS THE INDICATED SURFACE MUST BE POLISHED WITH A DIAMOND FINISH (SPI A-2) OVER THE FULL PERIPHERY OF THE TOOL. SURFACE MUST HAVE NO MISMATCH.
- H. ANY PROCESS LUBRICANT REMAINING ON THE TERMINAL MUST NOT VARNISH OR DEGRADE IT'S ELECTRICAL PERFORMANCE UP TO A MAXIMUM CLASS AMBIENT TEMPERATURE PER SAE USCAR-2 FOR 1008 HOURS. PROCESS LUBRICANTS SHOULD BE APPROVED BY THE RESPONSIBLE ENGINEER.
- J. OPTIONAL FEATURES PROVIDED FOR AUTOMATION.
- K. PART MUST BE FREE FROM BURRS AND SHARP EDGES, WHICH MIGHT BE DETRIMENTAL TO SATISFACTORY ASSEMBLY, SAFE HANDLING OR FUNCTION OF PART.
- L. PARTS AS DELIVERED TO ASSEMBLY SHALL BE CLEAN AND FREE OF DEBRIS, RESIDUAL ABRASIVE MATERIAL AND CORROSION PRODUCTS ADVERESLY AFFECTING FUNCTION OR APPEARENCE.
- M. RESTRICTED AND REPORTABLE SUBSTANCES FOR PARTS PER GMW3059.

	PAGE TITLE	DRAWING NUMBER	DWG STATUS			PAGE NUMBER	
	NOTES		12672833	ST	REV	PDI	6 OF 22
				R	001		

NOTES: UNLESS OTHERWISE SPECIFIED

4. SYSTEM REQUIREMENTS:

- A. HARNESS CONNECTOR IS COMPATIBLE WITH THE FOLLOWING ISO WIRE SIZE NO'S:  
 0.35mm<sup>2</sup>, MEETING GMW15626 - MIN OD OF 1.30MM  
 0.50mm<sup>2</sup>, MEETING GMW15626  
 0.75mm<sup>2</sup>, MEETING GMW15626 - MAX OD OF 2.06MM

B. CABLE TIE SPECIFICATIONS:

1. CABLE TIE:
  - TENSILE RATING: 220N / (50lbs) MIN
  - TIE LENGTH: 186mm MIN
  - TIE WIDTH: 4.75mm MAX
  - MATERIAL: NYLON
2. INSTALLATION:
  - CABLE TIE TENSION: 190N MIN
3. DRESSED WIRE BUNDLE PACKAGING: SEE FIG. 1

C. WHEN MATED WITH COMPONENT CONNECTOR INTERFACE AND/OR DRESS COVER, HARNESS CONNECTOR SYSTEM CONFORMS TO THE FOLLOWING:

1. SAE/USCAR-2, REV: 3 APRIL, 2001; CLASS 3
2. FIELD CORRELATED LIFE TEST, SAE/USCAR-20, NOV. 2001
3. GMW #3191 AUGUST 22, 2000 (DRAFT); TEMPERATURE CLASS 3, SEALING CLASS 1, VIBRATION CLASS 2
4. RESTRICTED AND REPORTABLE CHEMICALS PER GMW #3059, REV: D AUGUST 2002
5. TPA USER FORCES (FULLY POPULATED WITH TERMINALS)
  - a. REMOVAL FROM LOCK TO PRE-SET: <=120N

D. WIRE SPECIFICATIONS:

1. WIRE SURFACE MUST BE FREE OF SCRATCHES, GROOVES OR DENTS WHERE FUNCTIONAL

5. TERMINAL CURRENT RATINGS:

A. MX64 RCPT TERM

ALL TESTING DONE IN ACCORDANCE WITH USCAR-2 REV5 SECTION 5.3

1. MX64 RCPT TERM Ag 0.50/0.75mm<sup>2</sup> CRIMPED TO 0.75mm<sup>2</sup> ISO WIRE AND MATED TO MX123 0.64MM PIN: SEE TABLE BELOW
2. MX64 RCPT TERM Ag 0.35mm<sup>2</sup> CRIMPED TO 0.35mm<sup>2</sup> ISO WIRE AND MATED TO MX123 0.64MM PIN: SEE TABLE BELOW

WIRE	CURRENT RATING			
	23°C	85°C	105°C	125°C
0.75mm <sup>2</sup>	11.3A	11.3A	9.5A	6.6A
0.50mm <sup>2</sup>	10.0A	10.0A	8.3A	5.7A
0.35mm <sup>2</sup>	8.5A	8.5A	7.1A	5.0A

B. 2.8MM RCPT TERM

ALL TESTING DONE IN ACCORDANCE WITH MOLEX DVP&R 0279 (TR # 7125)

1. 2.8MM RCPT TERM TIN 2.0mm<sup>2</sup> CRIMPED TO 2.0mm<sup>2</sup> ISO WIRE AND MATED TO MX123 2.8MM BLADE: 25.6 AMPS AT 125°C

6. CONTACT MOLEX AUTOMOTIVE FOR AVAILABLE CUSTOM PATTERNS OF CAVITIES OPEN FOR CIRCUITS - SEE GM DRAWING 13507496



PAGE TITLE  
NOTES

DRAWING NUMBER

12672833

DWG STATUS

ST	REV	PDI
R	001	

PAGE NUMBER

7 OF 22



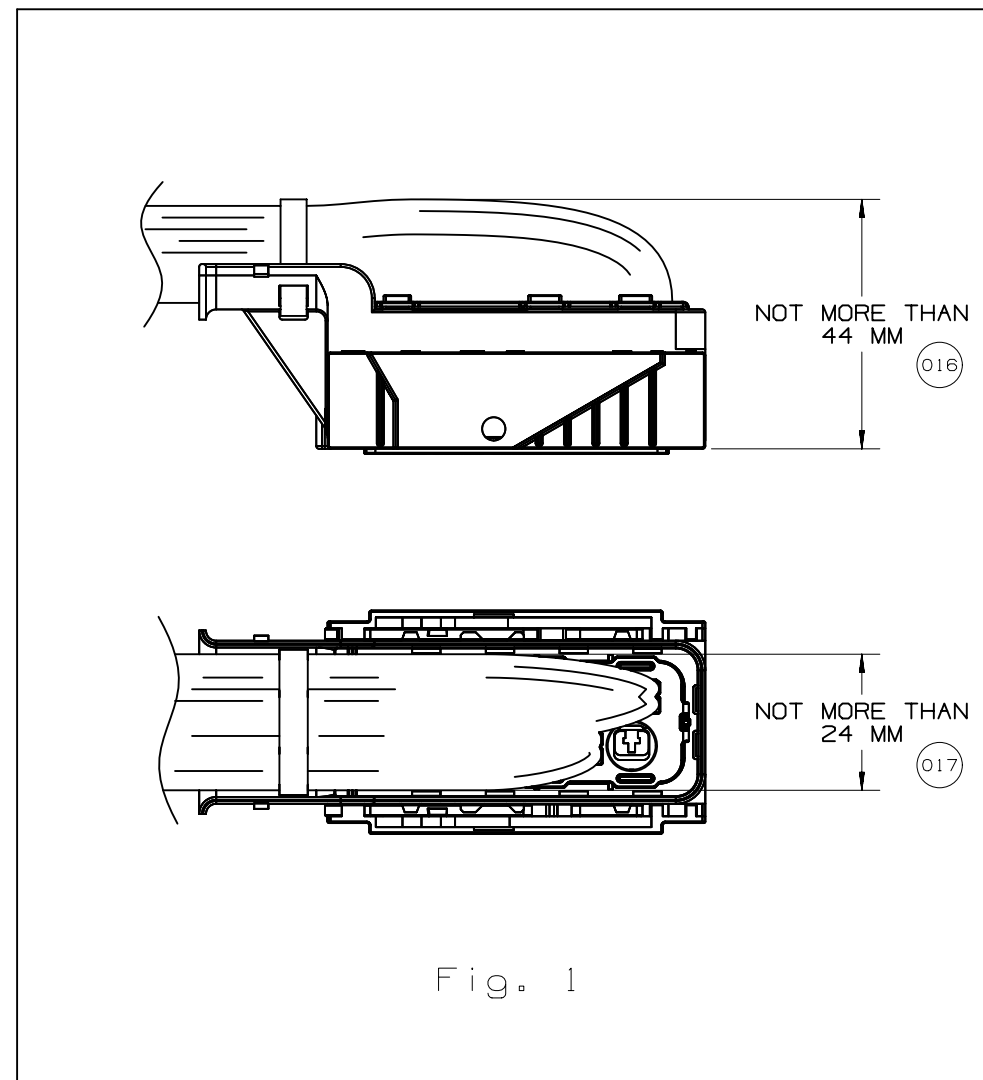
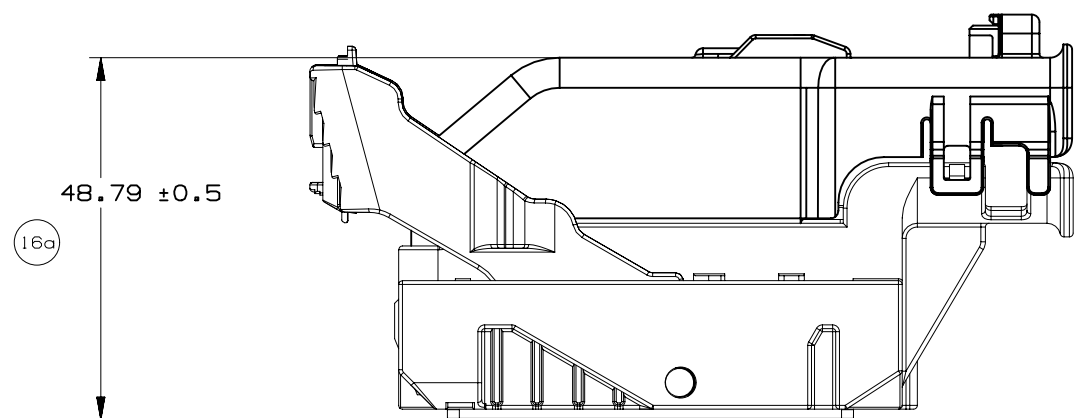
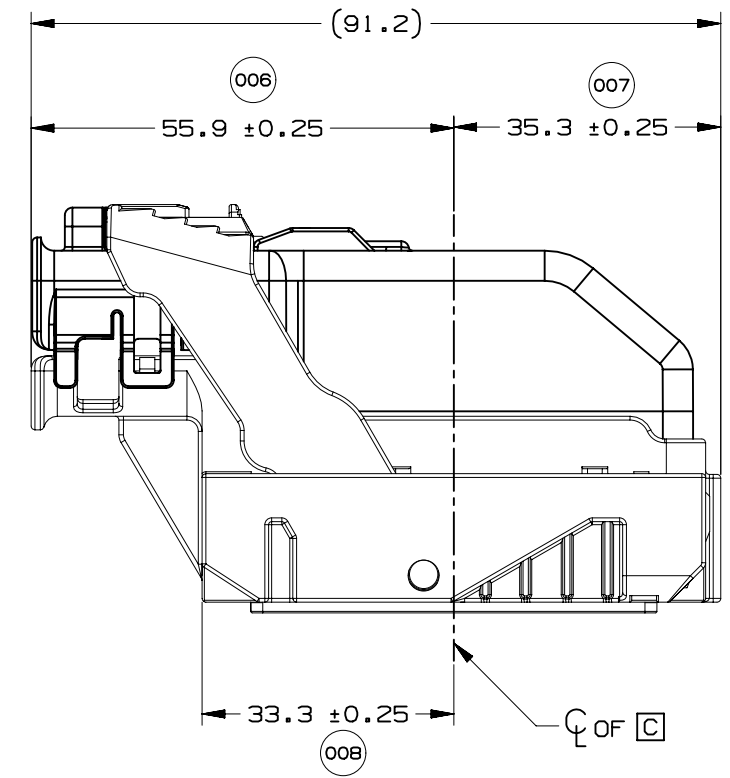
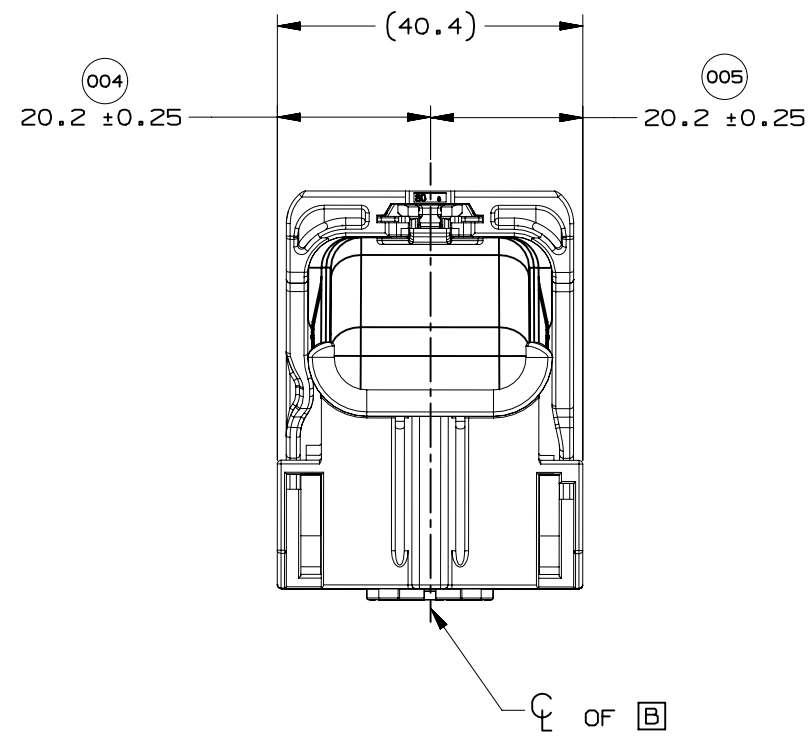
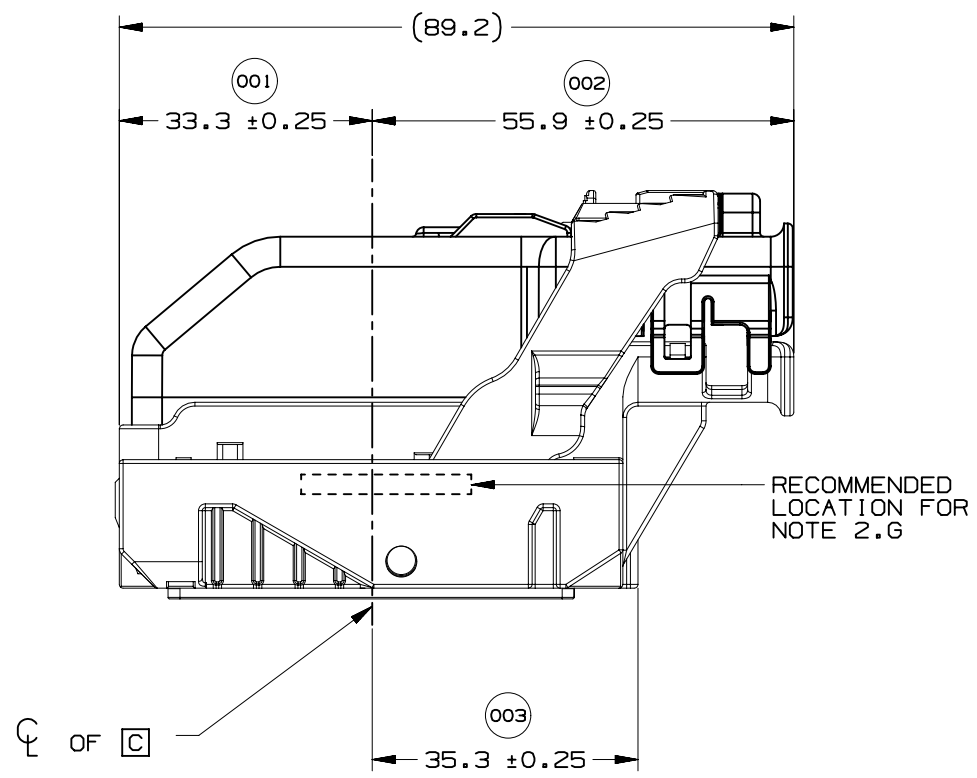


Fig. 1



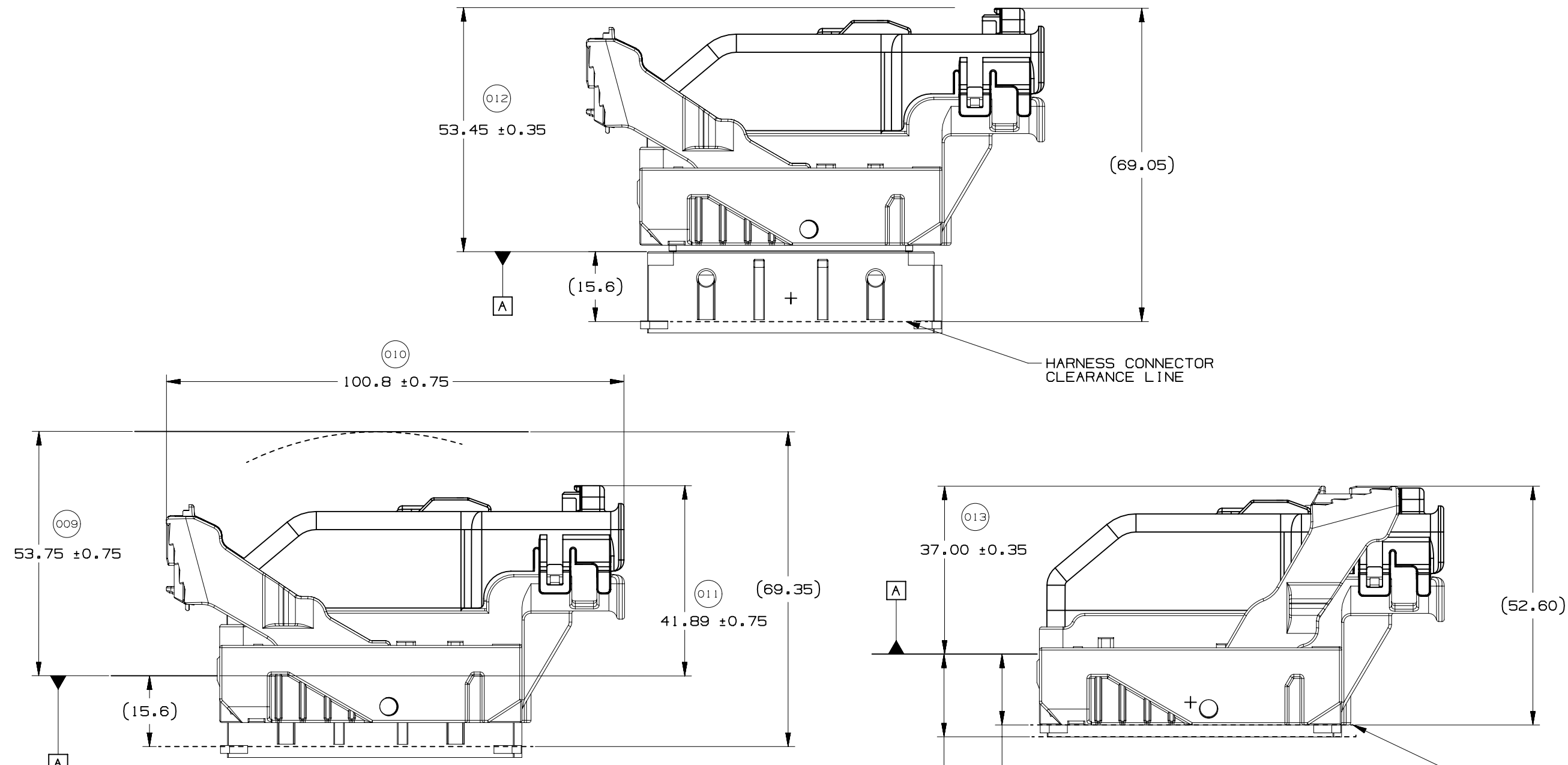


PAGE TITLE  
 LOCATION AND PACKAGING DIMENSIONS  
 REFERENCING INTERFACE DATUMS B & C

DRAWING NUMBER  
 12672833

DWG STATUS		
ST	REV	PD1
R	001	

PAGE NUMBER  
 9 OF 22



HARNESS CONNECTOR CLEARANCE LINE

HARNESS CONNECTOR ASSEMBLY IN FULLY-MATED POSITION

HARNESS CONNECTOR CLEARANCE LINE

15.6 MIN. ALL AROUND CLEARANCE REQUIRED FOR HARNESS CONNECTOR (014)

17.9 MIN. AT PAD LOCATION CLEARANCE REQUIRED FOR HARNESS CONNECTOR CONSTRUCTION BELOW THIS PLANE IS NOT CONTROLLED (015)

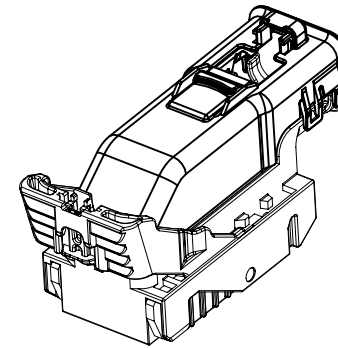
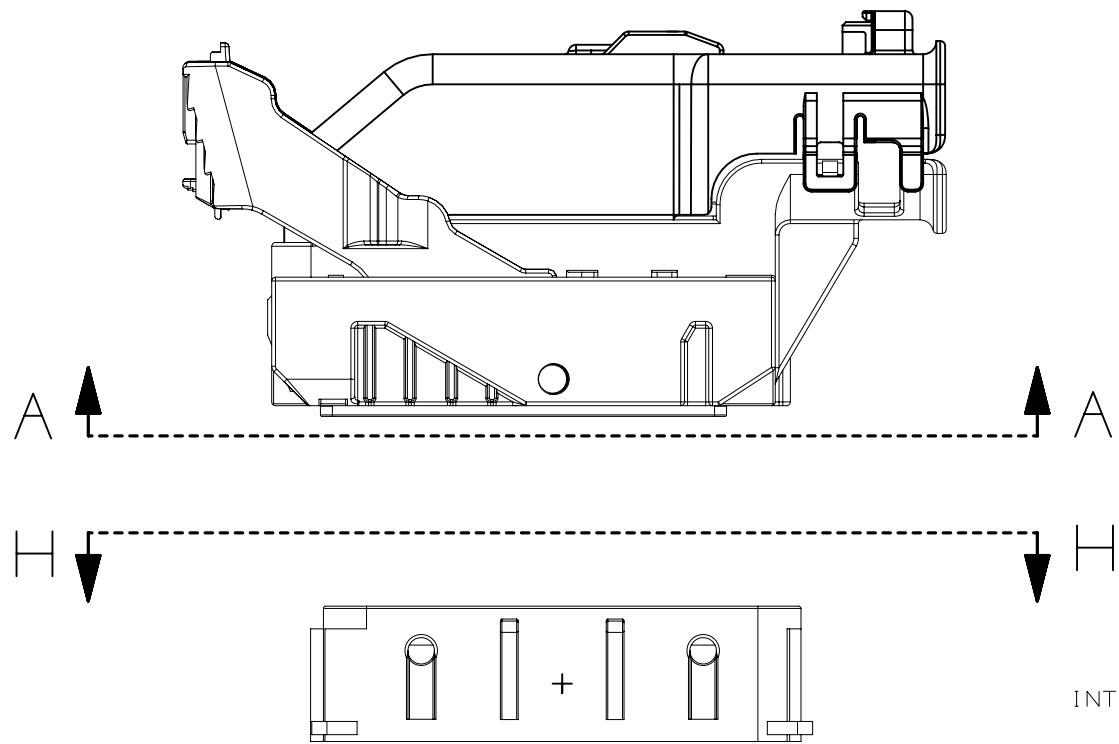


PAGE TITLE  
LOCATION AND PACKAGING DIMENSIONS  
REFERENCING INTERFACE DATUM A

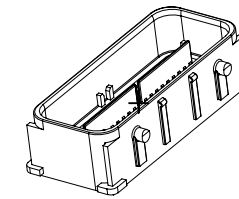
DRAWING NUMBER  
12672833

DWG STATUS		
ST	REV	PD1
R	001	

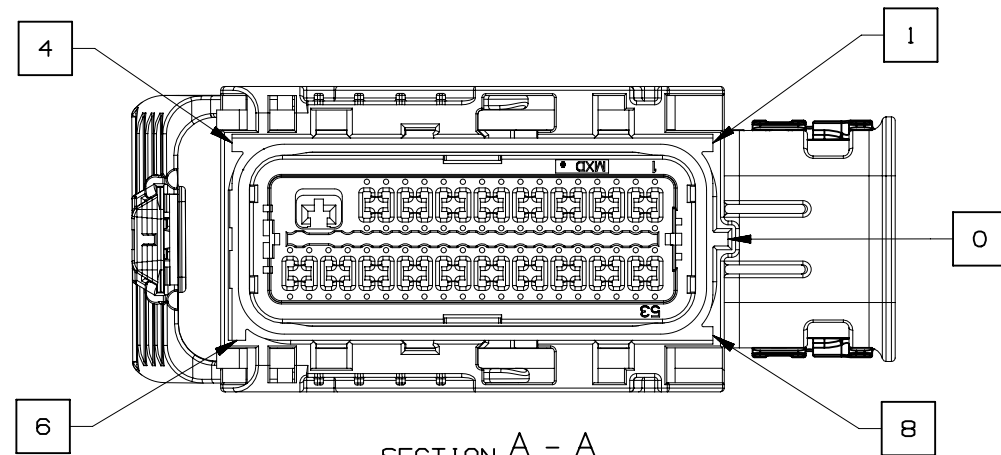
PAGE NUMBER  
10 OF 22



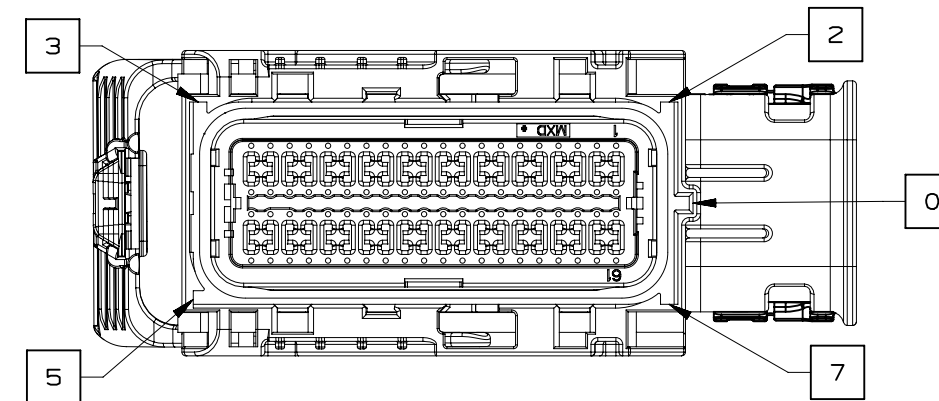
NOTE: REFERENCE THE COMPONENT TABLE FOR KEY OPTIONS AND CONFIGURATIONS



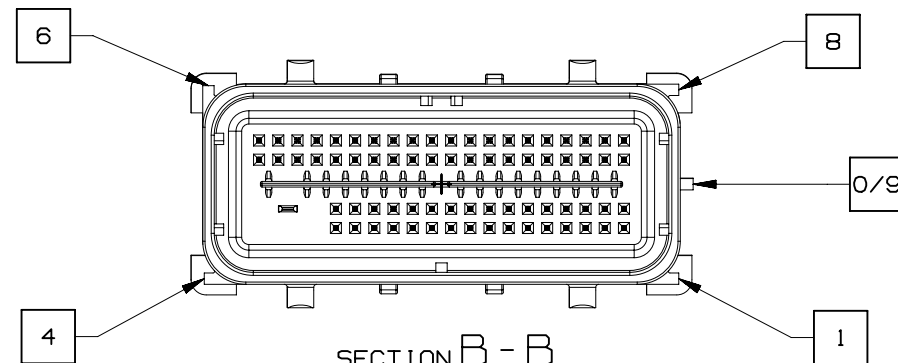
INTERFACE SIDE SHOWN ON ALL SECTION VIEWS



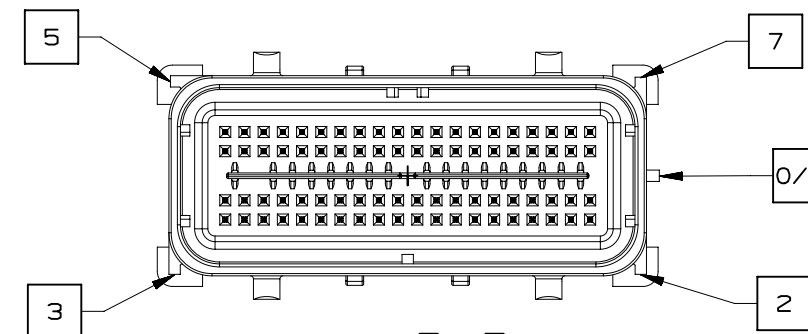
SECTION A - A  
73 CKT HARNESS CONNECTOR ASSEMBLY  
KEY OPTION B SHOWN



SECTION A - A  
80 CKT HARNESS CONNECTOR ASSEMBLY  
KEY OPTION K SHOWN



SECTION B - B  
73 CKT HARNESS CONNECTOR ASSEMBLY  
KEY OPTION B SHOWN



SECTION B - B  
80 CKT HARNESS CONNECTOR ASSEMBLY  
KEY OPTION K SHOWN

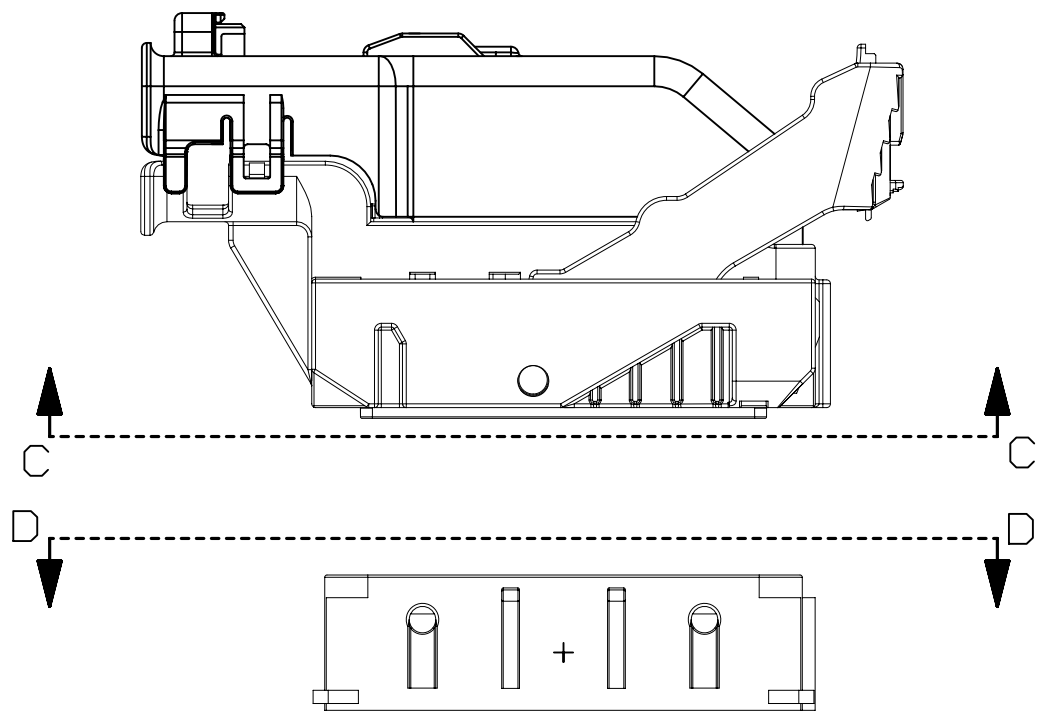


PAGE TITLE  
KEY ID REF - WIRE DRESS OPTION 0

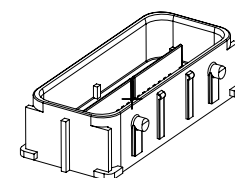
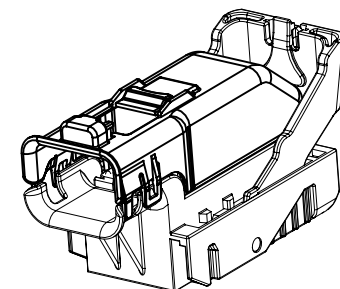
DRAWING NUMBER  
12672833

DWG STATUS		
ST	REV	PD1
R	001	

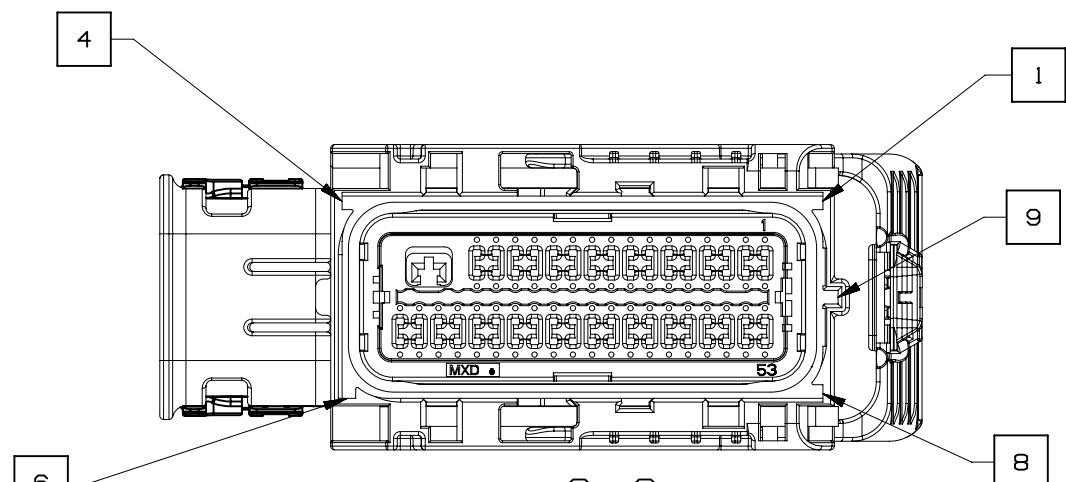
PAGE NUMBER  
11 OF 22



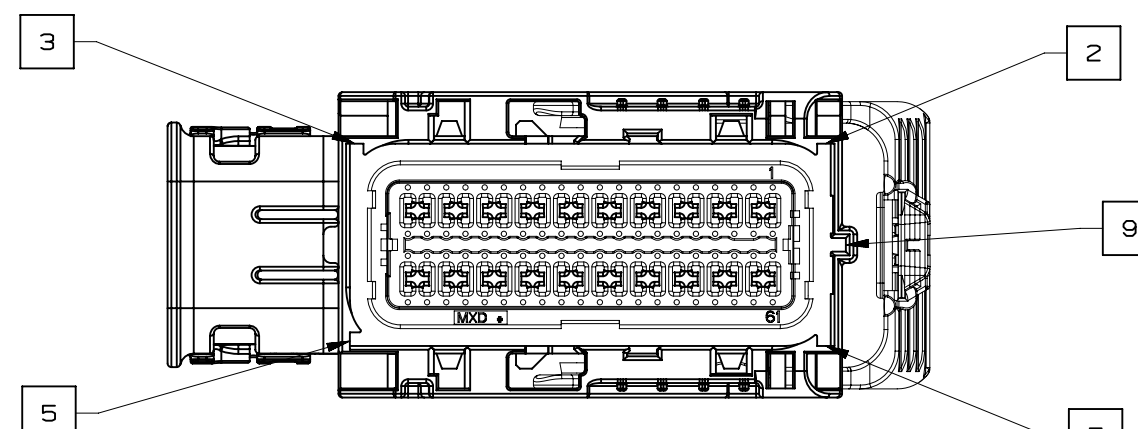
INTERFACE SIDE SHOWN ON ALL SECTION VIEWS



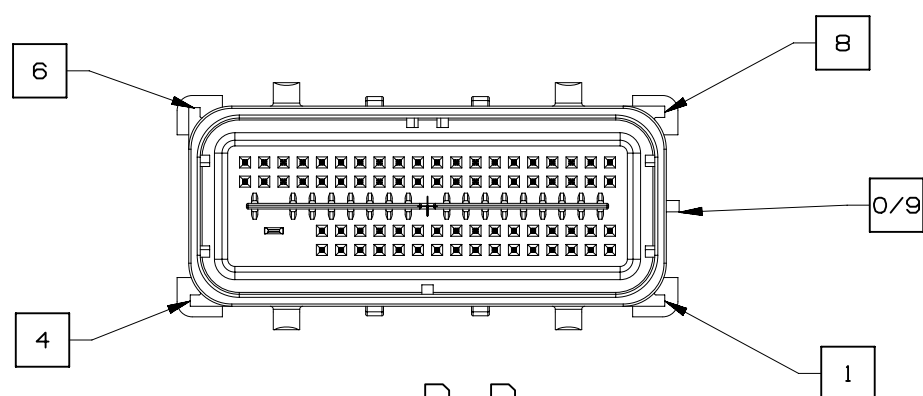
NOTE: REFERENCE THE COMPONENT TABLE FOR KEY OPTIONS AND CONFIGURATIONS



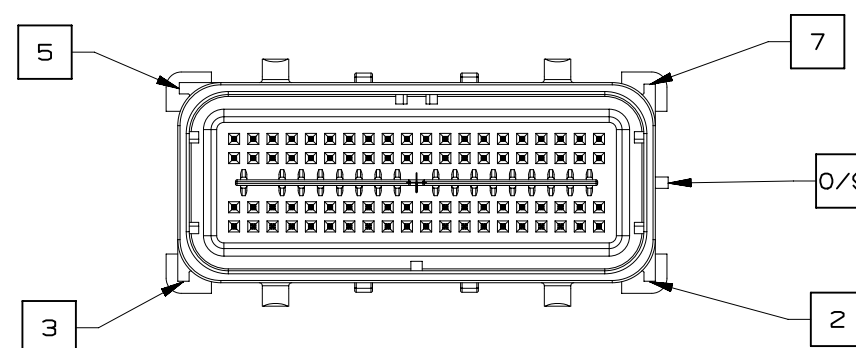
SECTION C - C  
73 CKT HARNESS CONNECTOR ASSEMBLY  
KEY OPTION B SHOWN



SECTION C - C  
80 CKT HARNESS CONNECTOR ASSEMBLY  
KEY OPTION K SHOWN



SECTION D - D  
73 CKT HARNESS CONNECTOR ASSEMBLY  
KEY OPTION B SHOWN



SECTION D - D  
80 CKT HARNESS CONNECTOR ASSEMBLY  
KEY OPTION K SHOWN

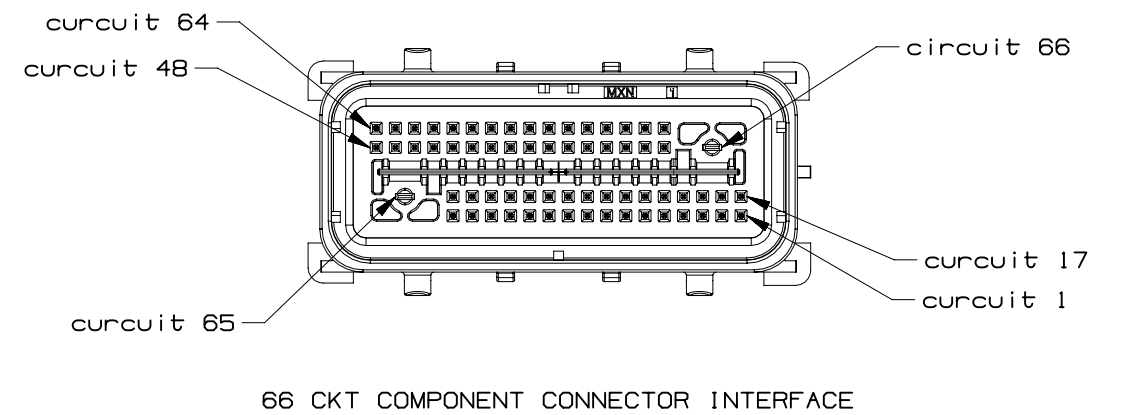
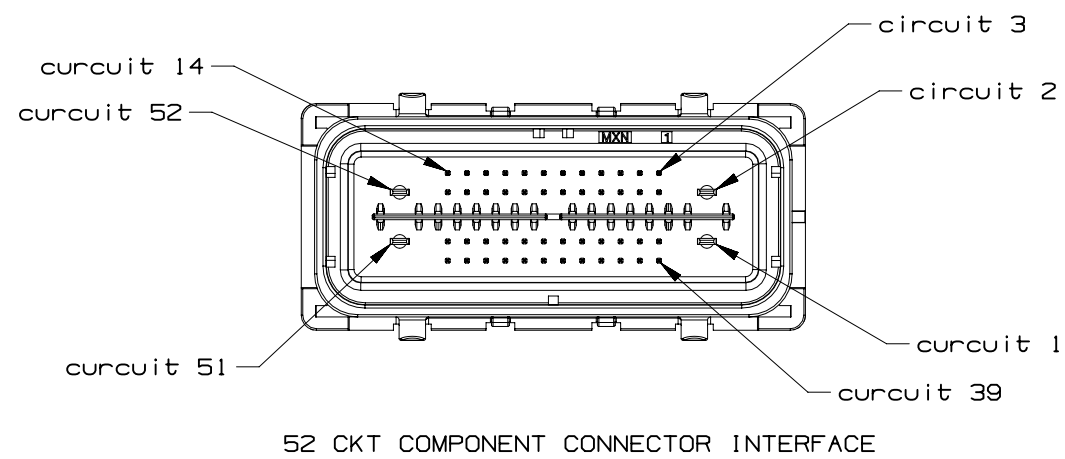
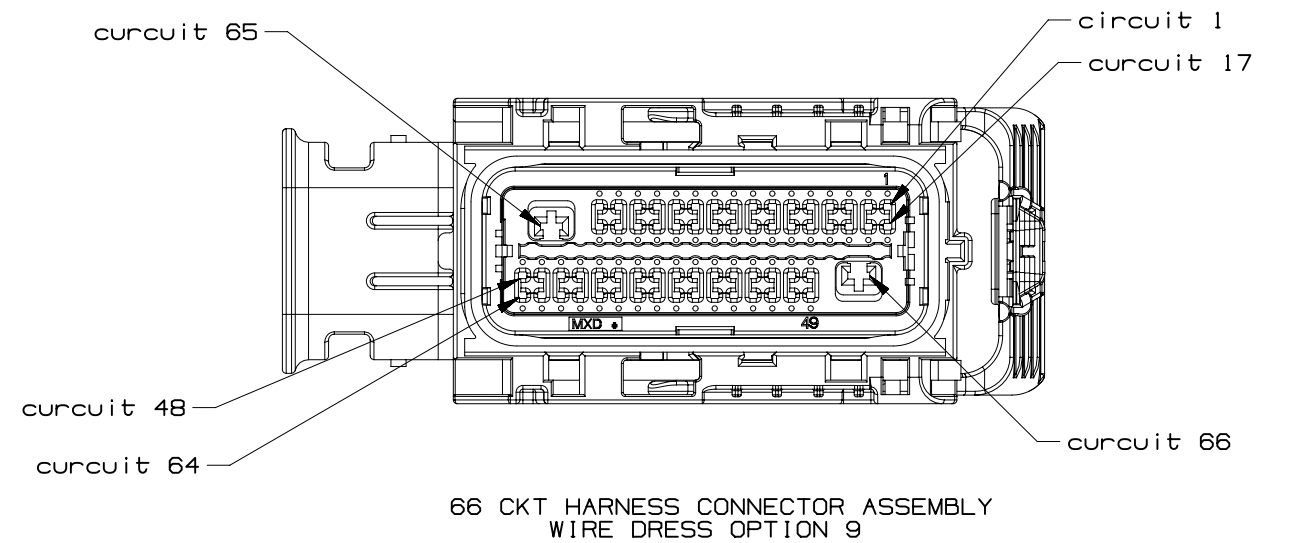
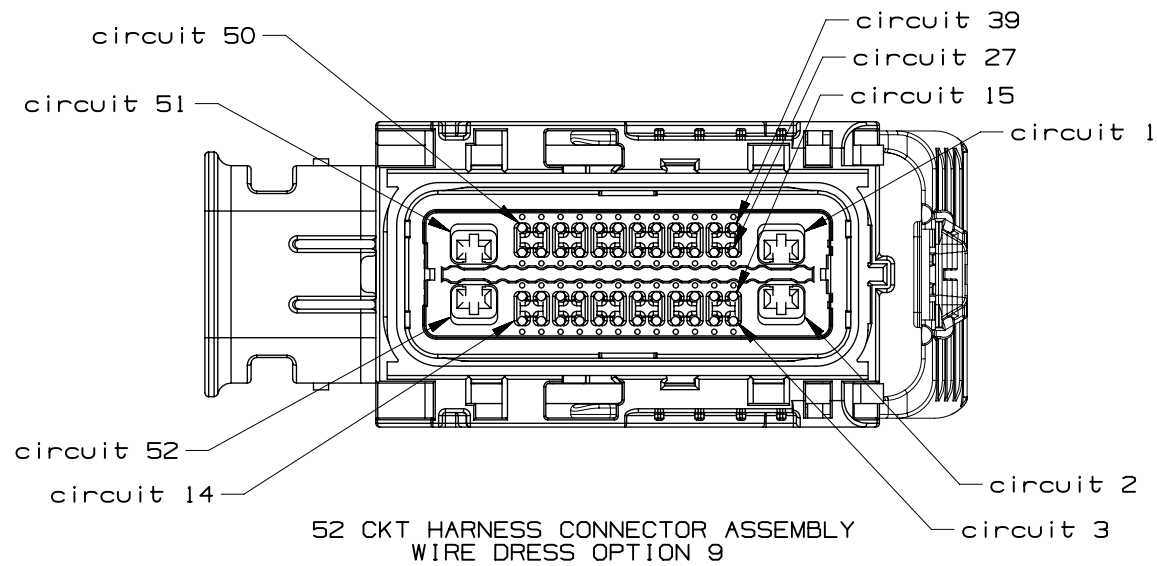
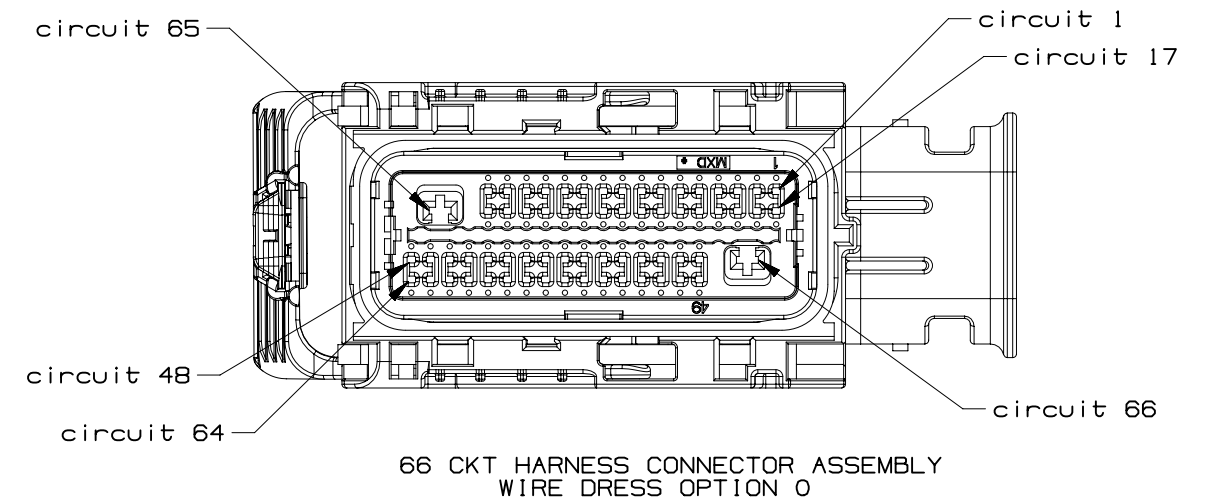
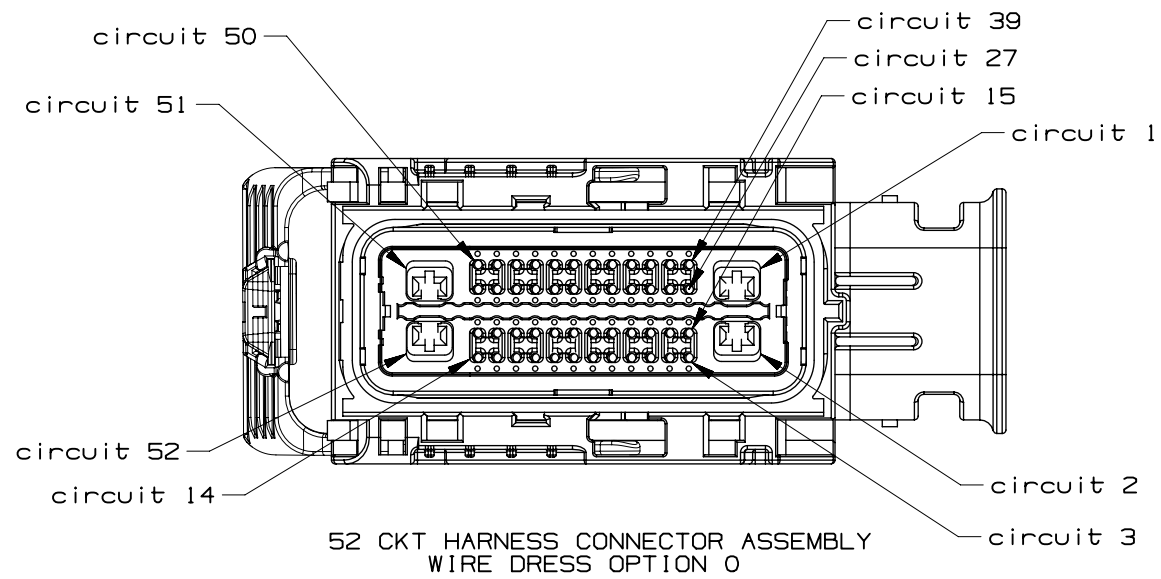


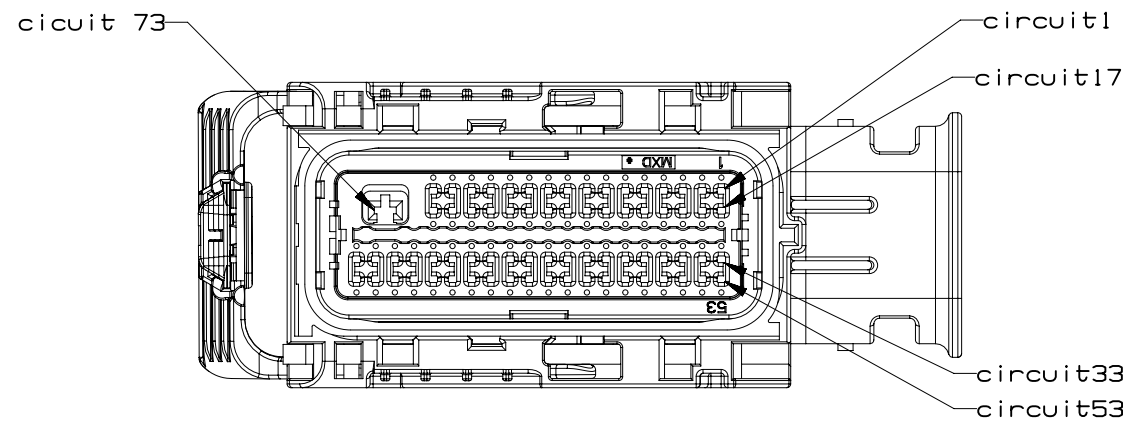
PAGE TITLE  
KEY ID REF - WIRE DRESS OPTION 9

DRAWING NUMBER  
12672833

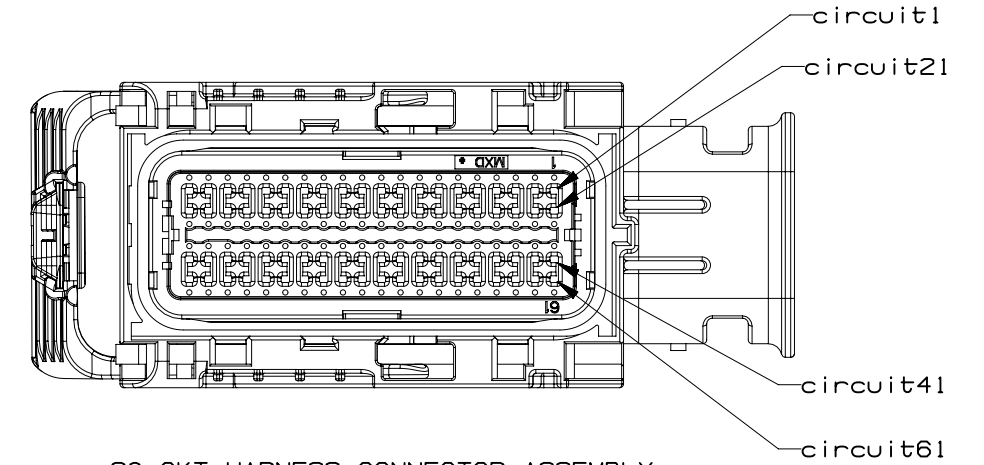
DWG STATUS		
ST	REV	PD1
R	001	

PAGE NUMBER  
12 OF 22



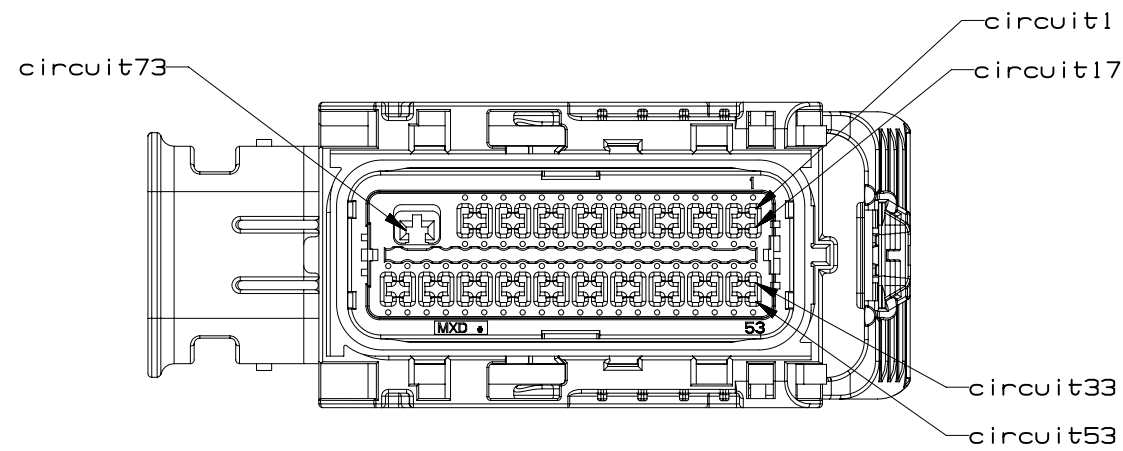


73 CKT HARNESS CONNECTOR ASSEMBLY  
WIRE DRESS OPTION 0

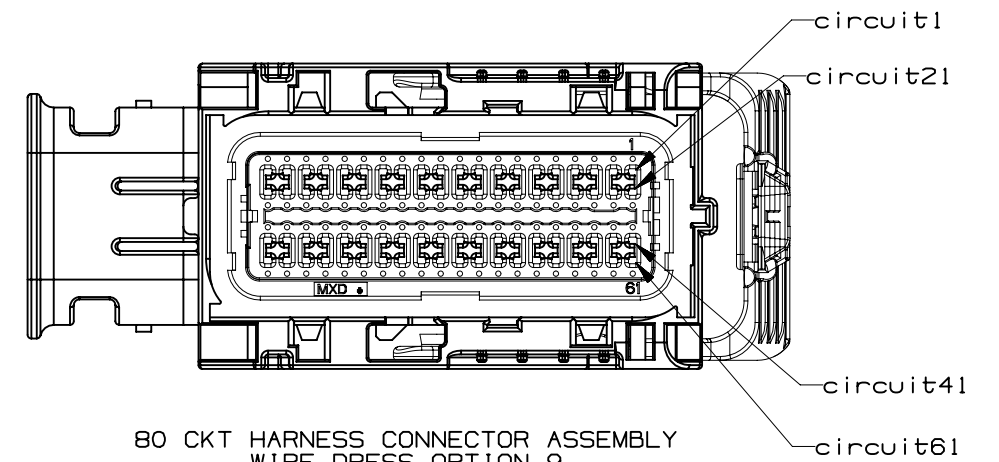


80 CKT HARNESS CONNECTOR ASSEMBLY  
WIRE DRESS OPTION 0

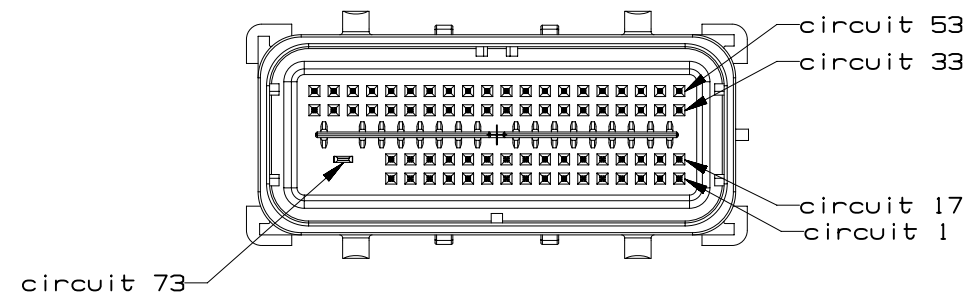
INTERFACE SIDE SHOWN ON ALL VIEWS



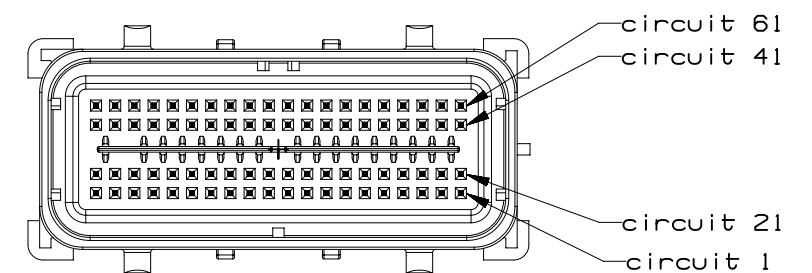
73 CKT HARNESS CONNECTOR ASSEMBLY  
WIRE DRESS OPTION 9



80 CKT HARNESS CONNECTOR ASSEMBLY  
WIRE DRESS OPTION 9

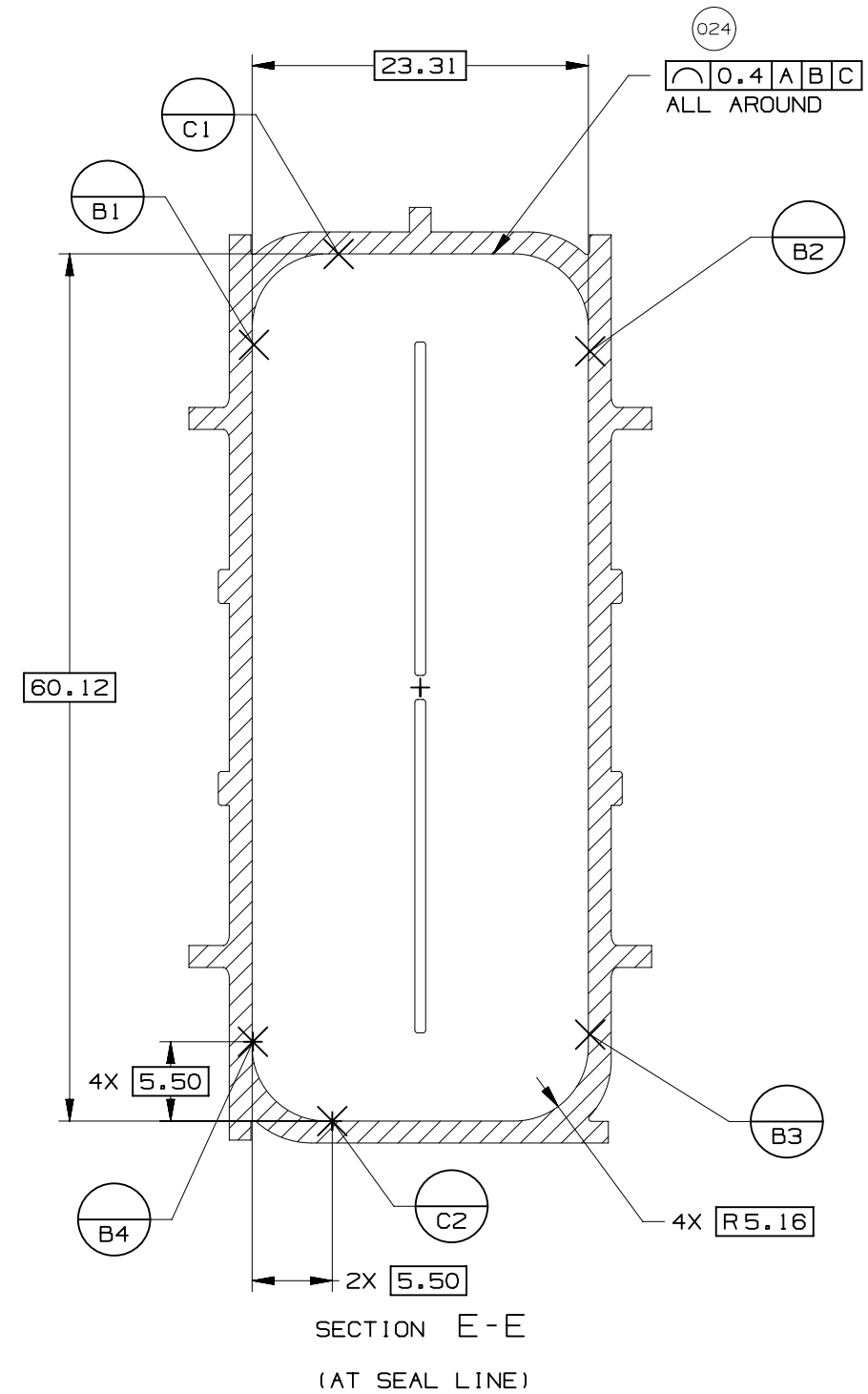
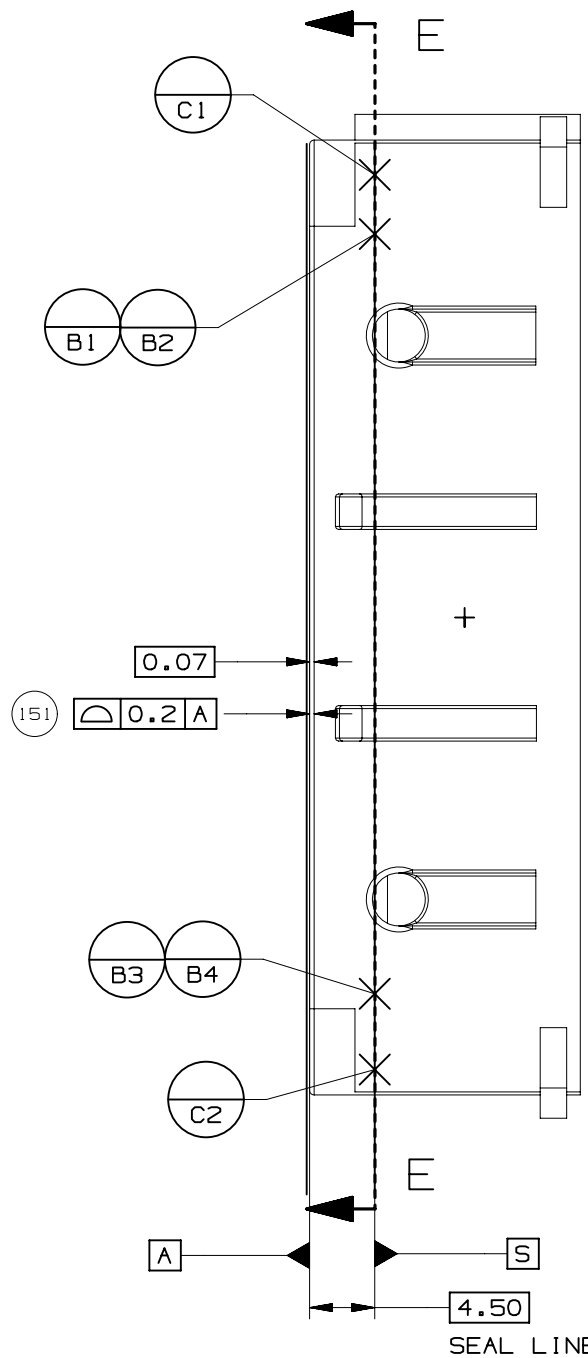
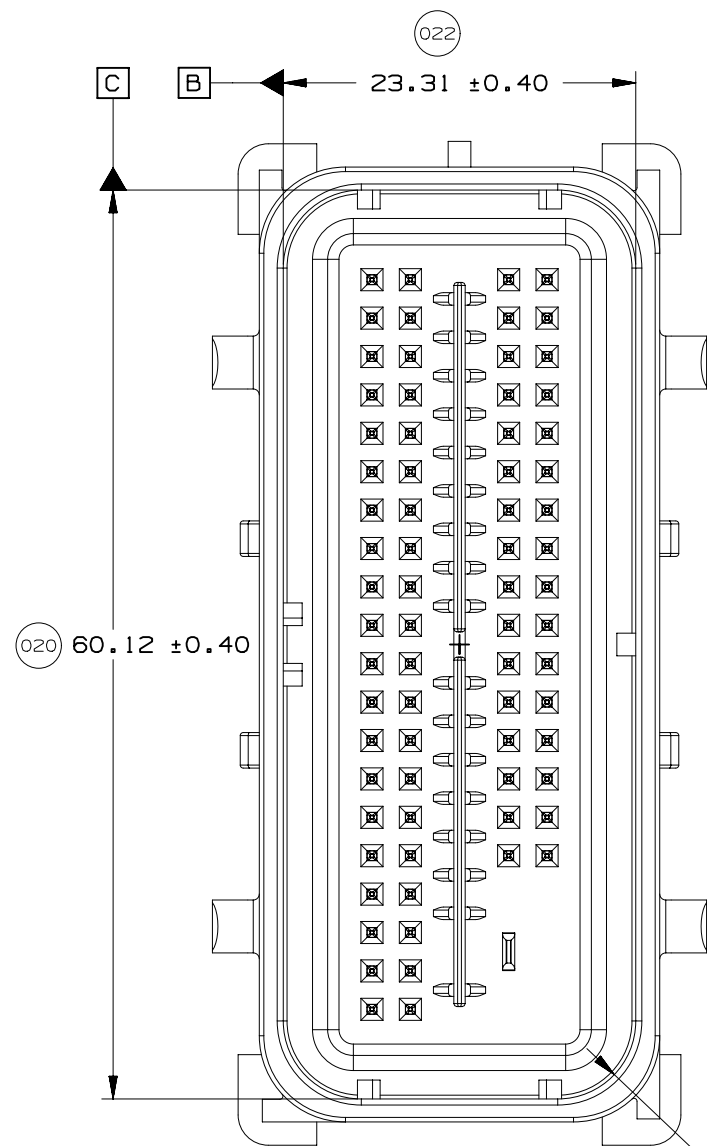
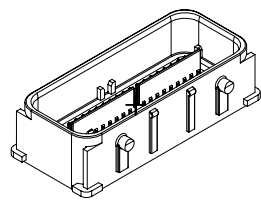


73 CKT COMPONENT CONNECTOR INTERFACE



80 CKT COMPONENT CONNECTOR INTERFACE





UNLESS SPECIFIED, TOLERANCE OF THE COMPONENT CONNECTOR INTERFACE TO BE 0.13 A B C

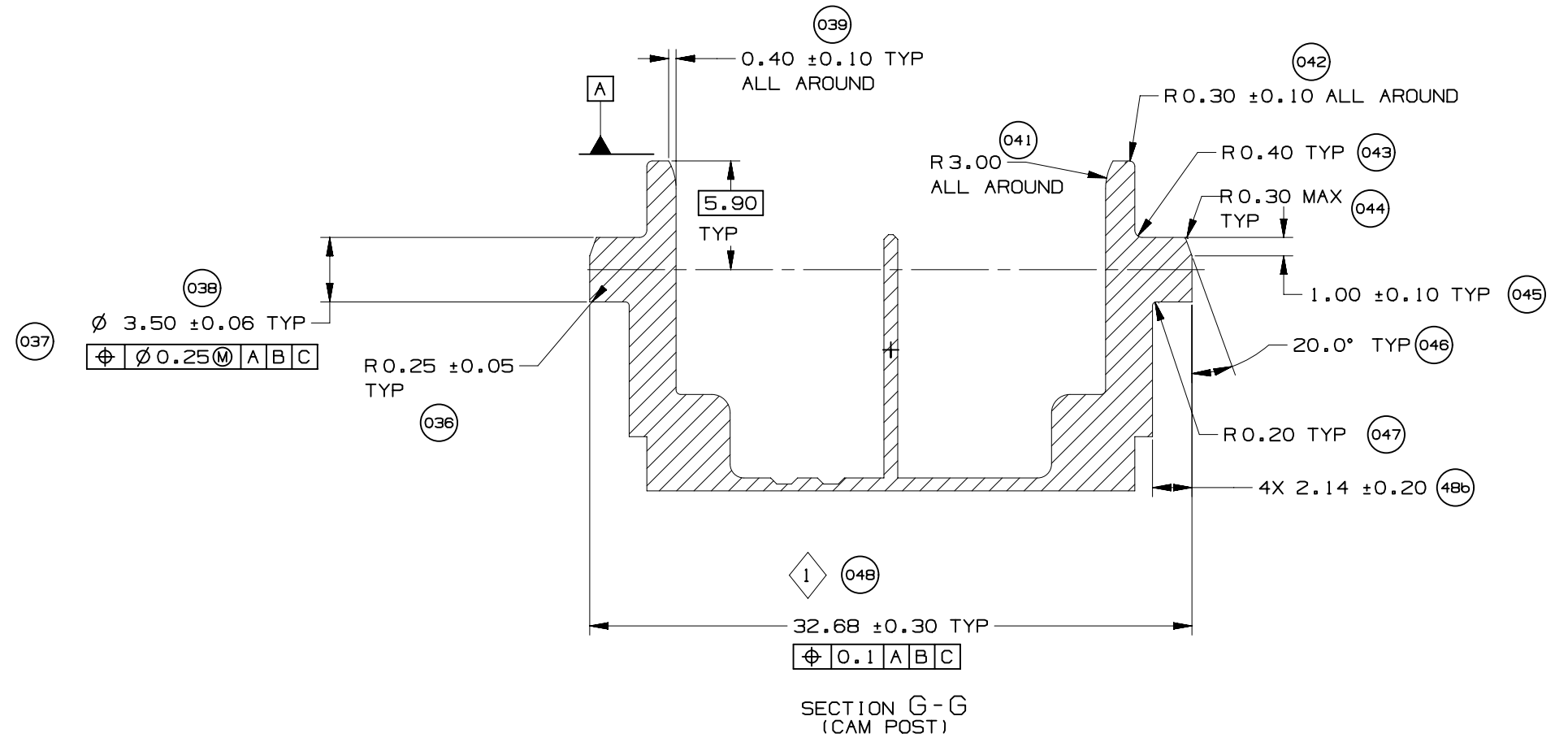
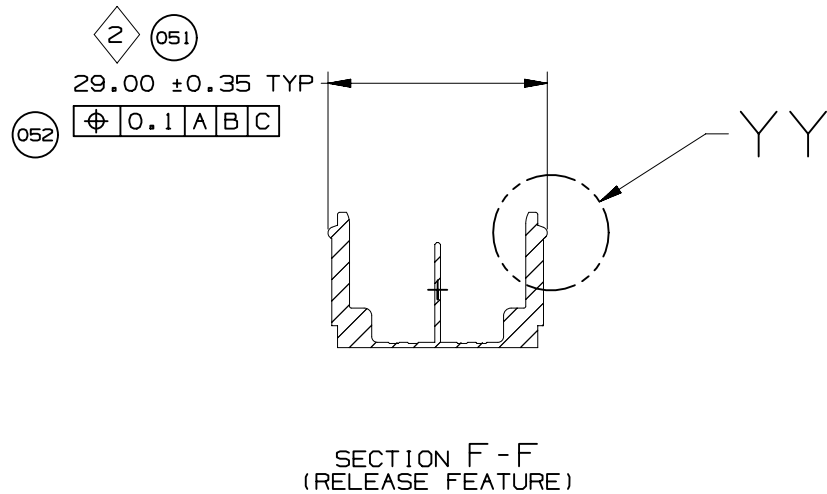
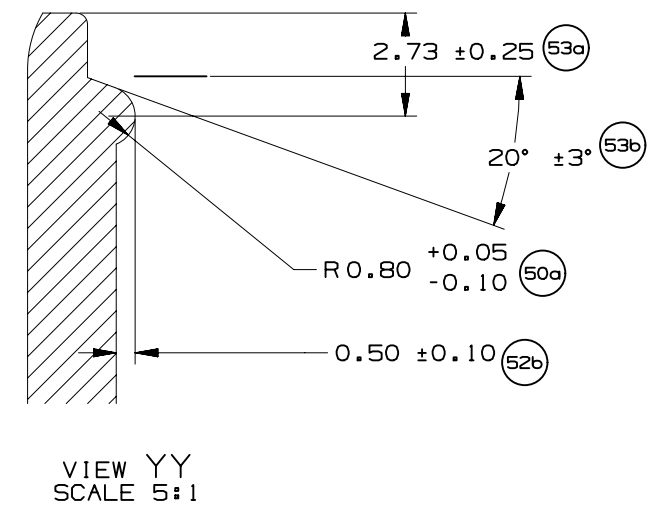
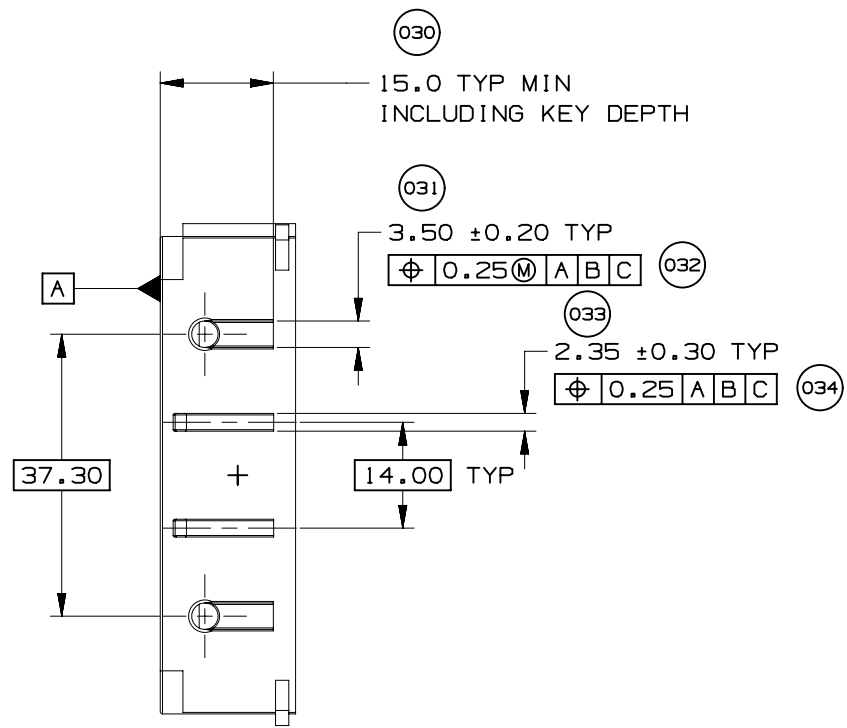
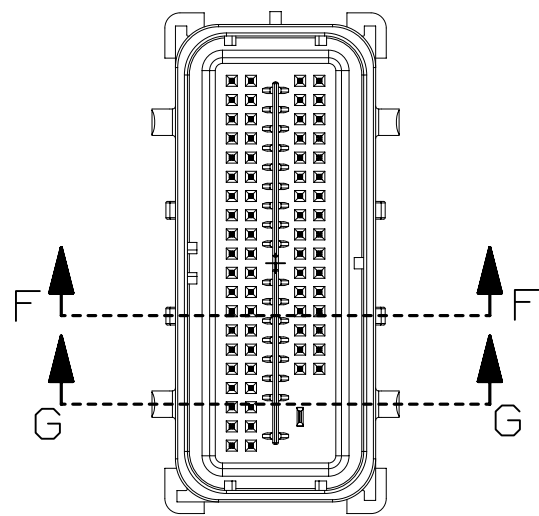


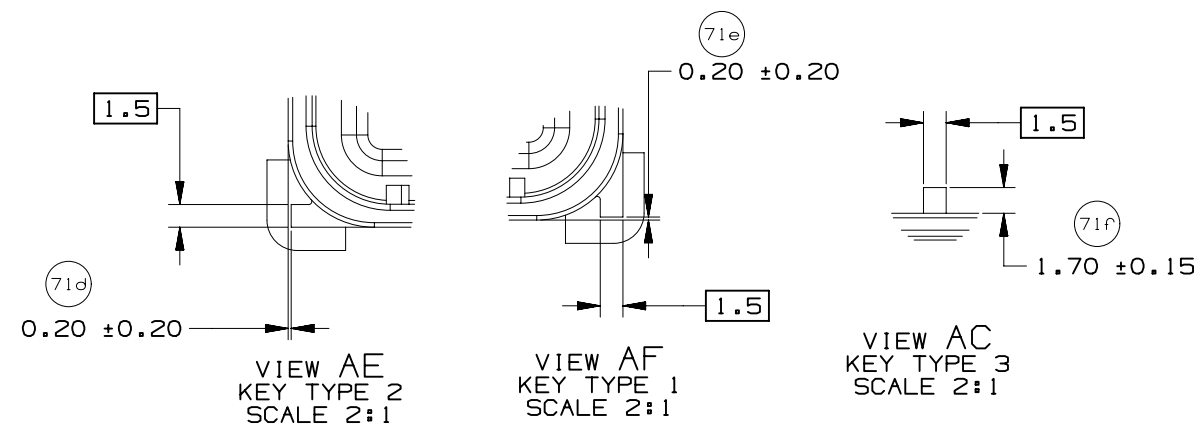
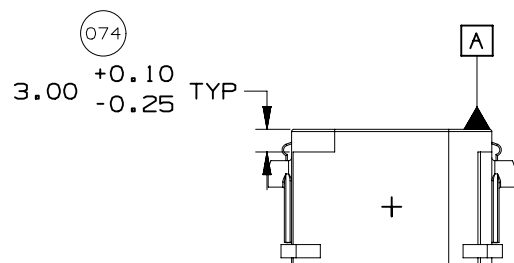
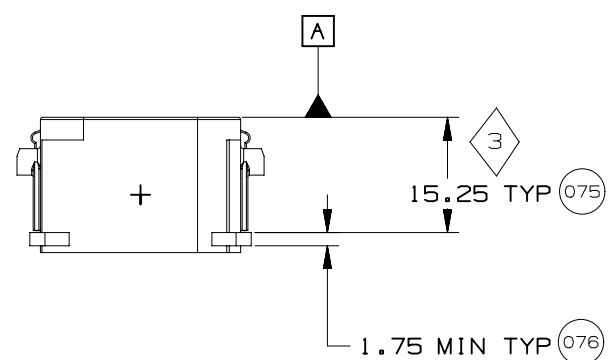
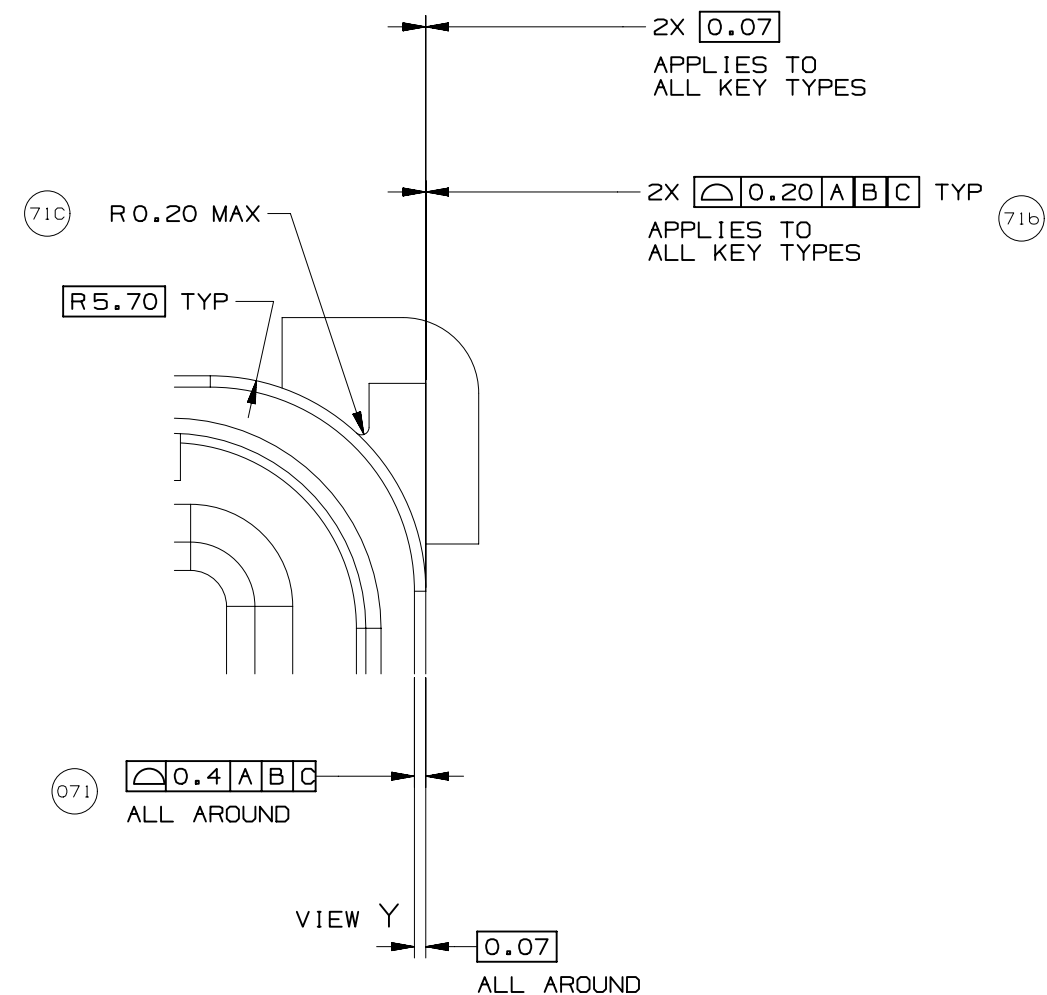
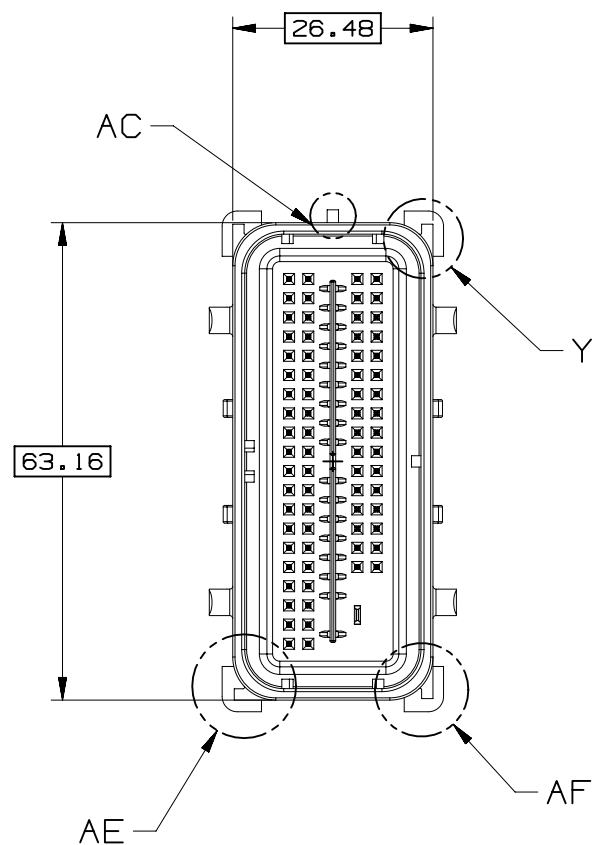
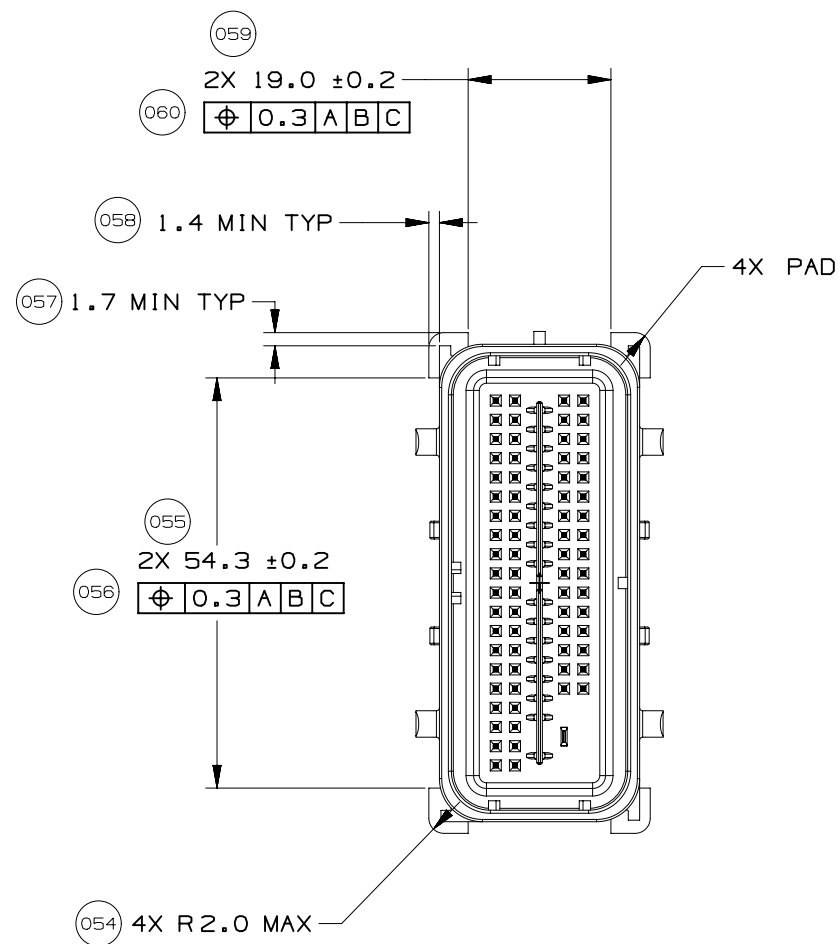
PAGE TITLE  
COMPONENT CONNECTOR INTERFACE

DRAWING NUMBER  
12672833

DWG STATUS			PAGE NUMBER
ST	REV	PD1	
R	001		15 OF 22



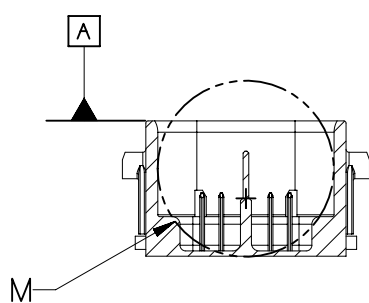
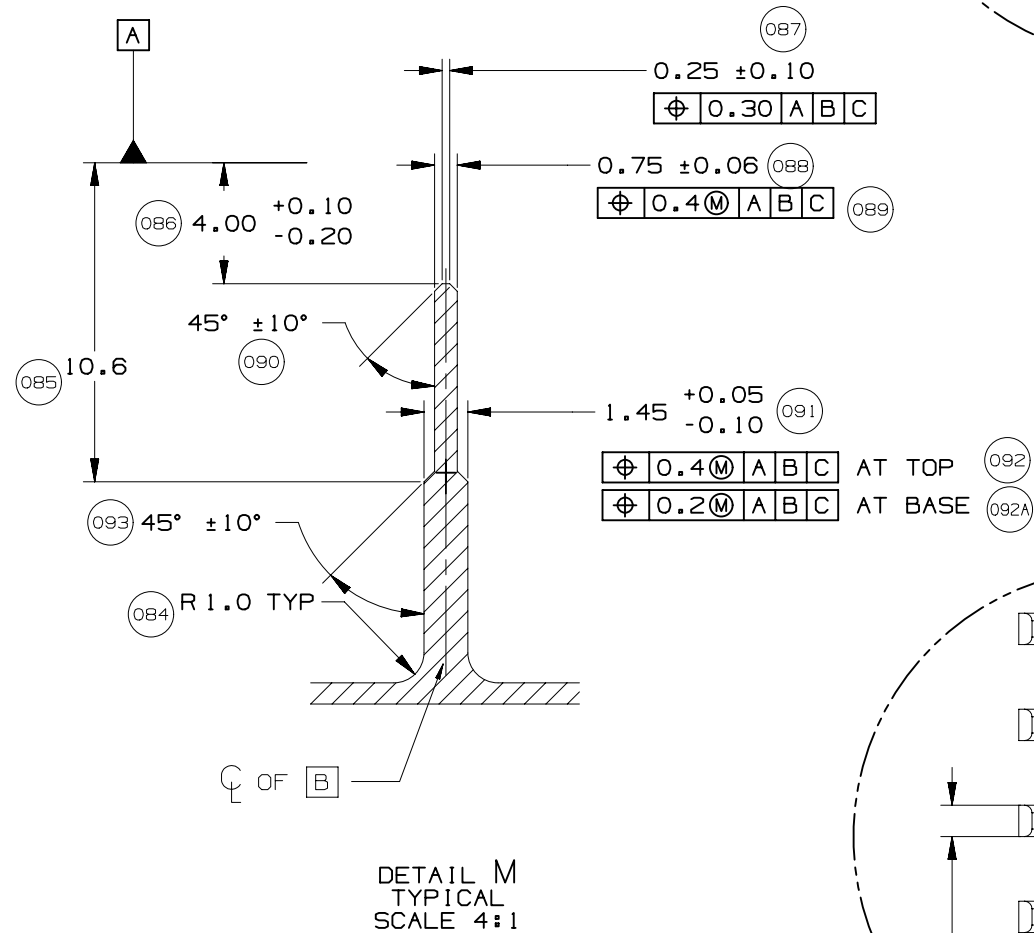
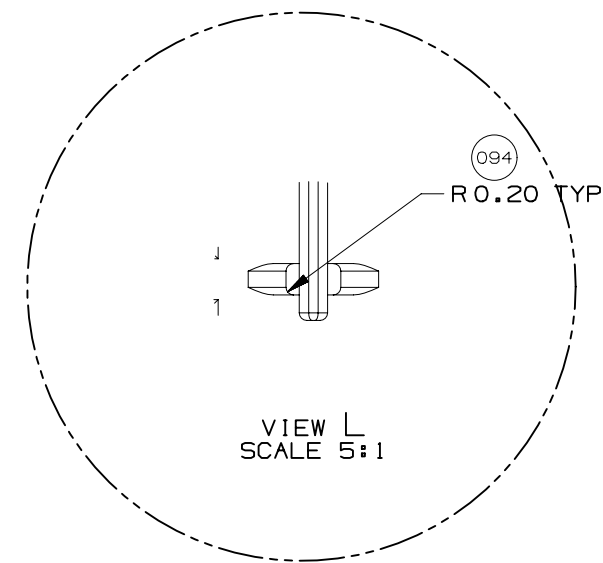
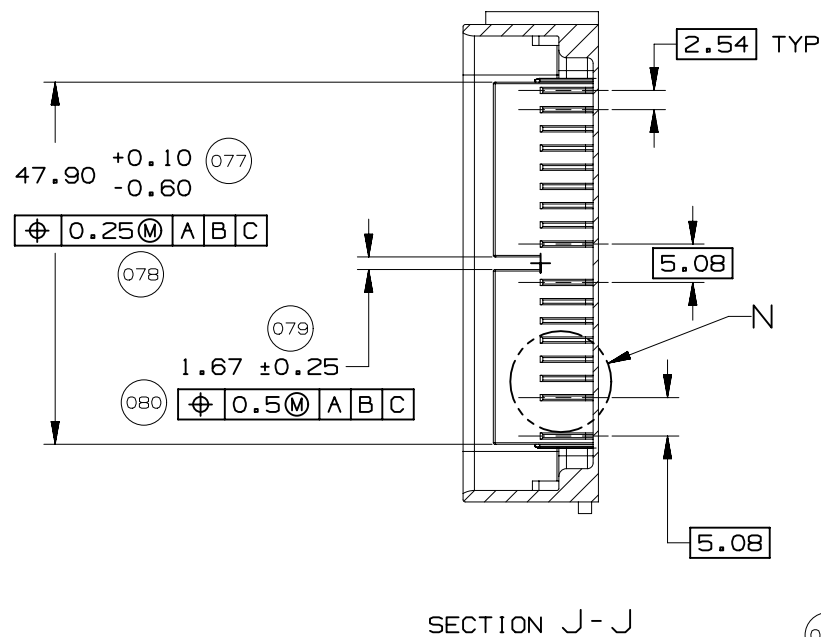
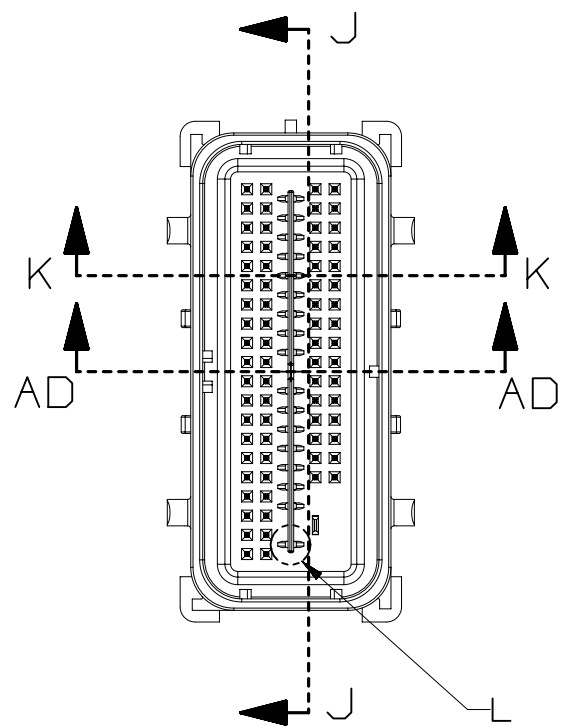




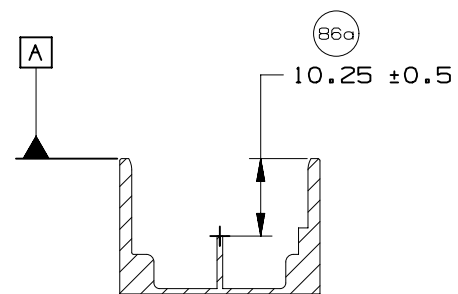
PAGE TITLE  
 COMPONENT CONNECTOR INTERFACE

DRAWING NUMBER  
 12672833

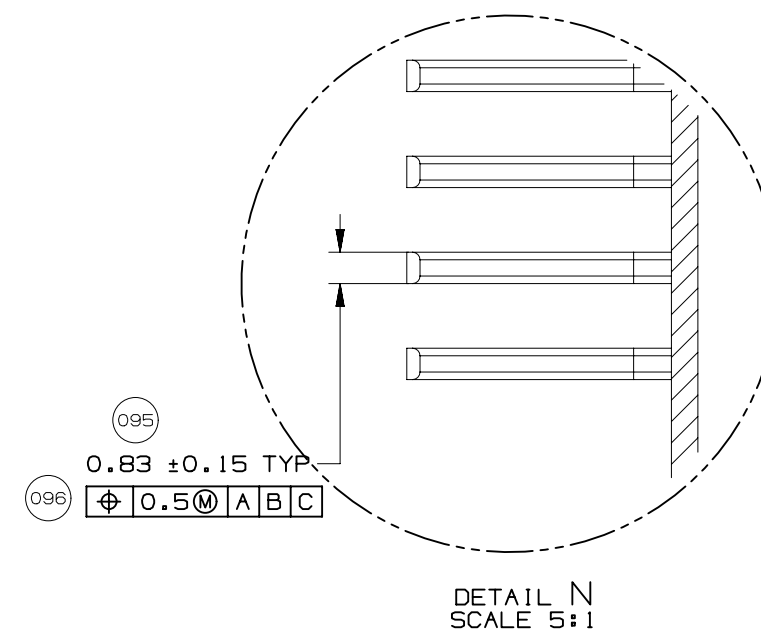
DWG STATUS			PAGE NUMBER
ST	REV	PD1	
R	001		17 OF 22



SECTION K-K



SECTION AD-AD



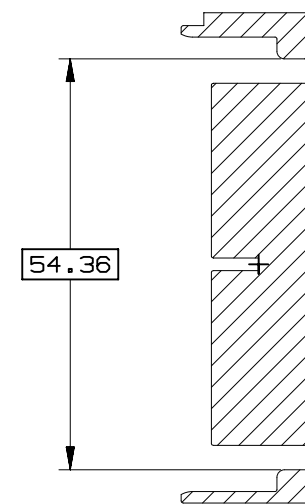
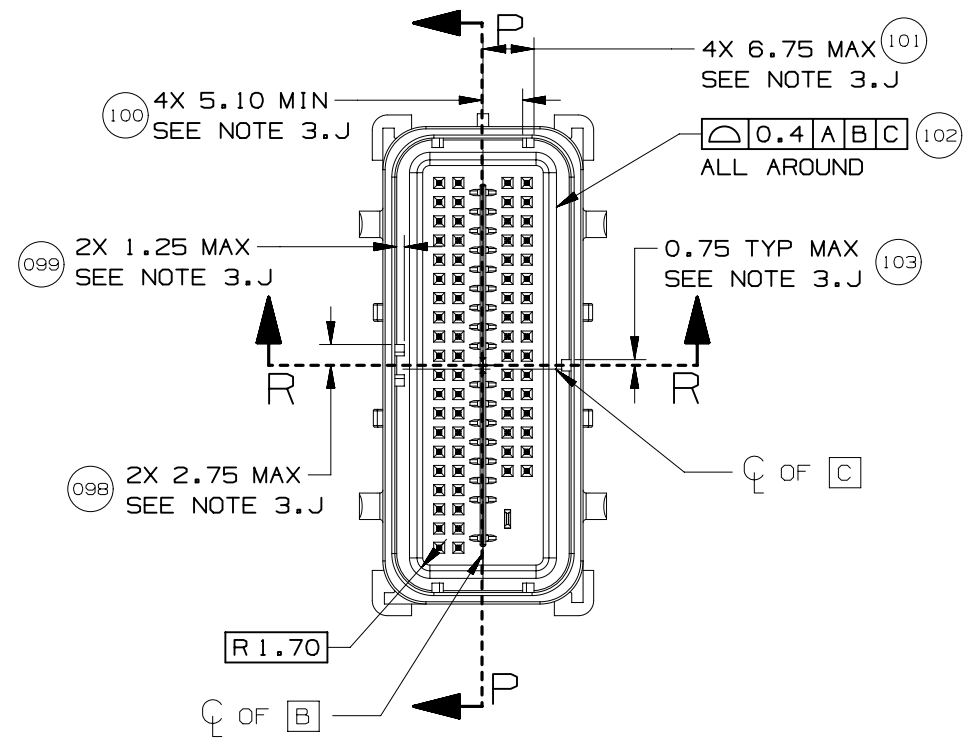
DETAIL N  
SCALE 5:1



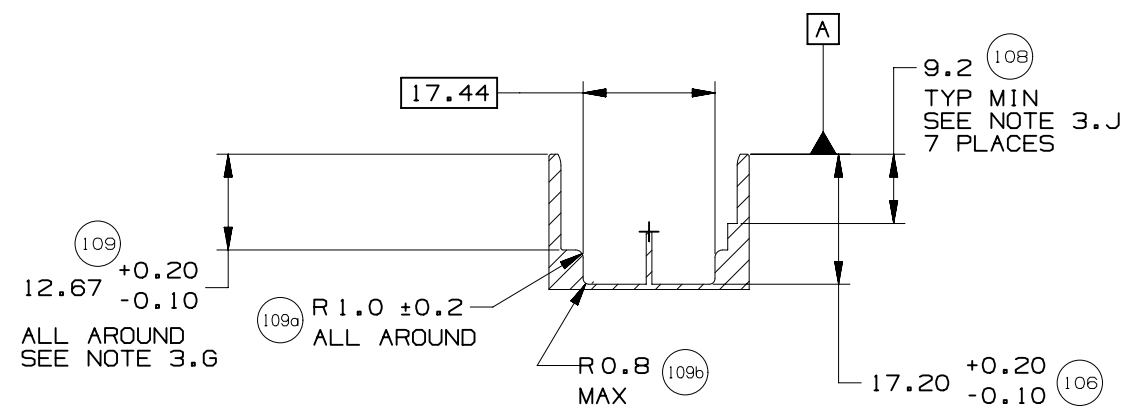
PAGE TITLE  
COMPONENT CONNECTOR INTERFACE

DRAWING NUMBER  
12672833

DWG STATUS			PAGE NUMBER
ST	REV	PD1	
R	001		18 OF 22



SECTION P-P



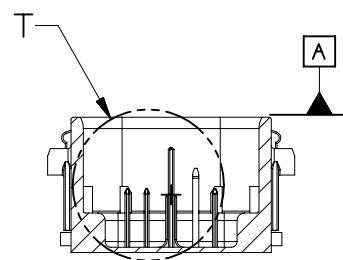
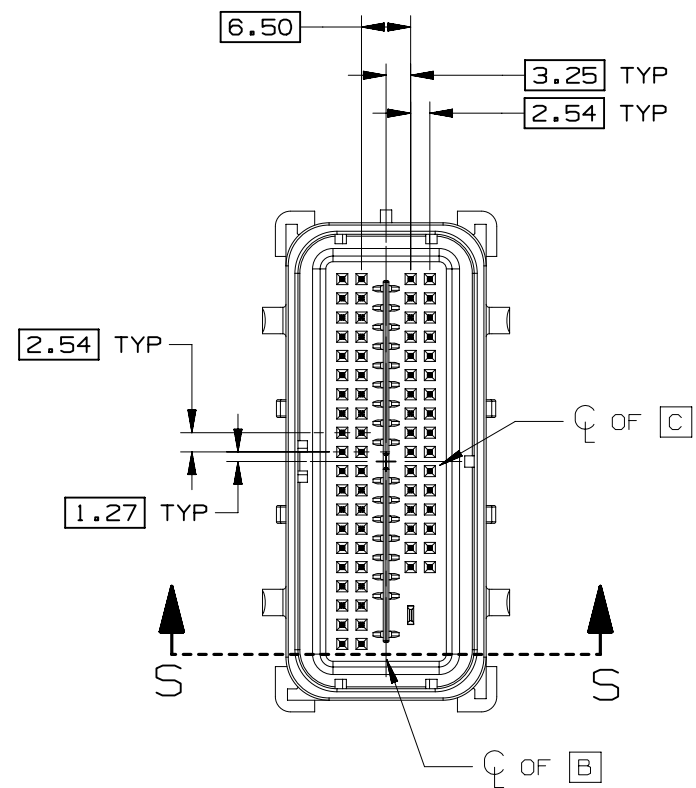
SECTION R-R



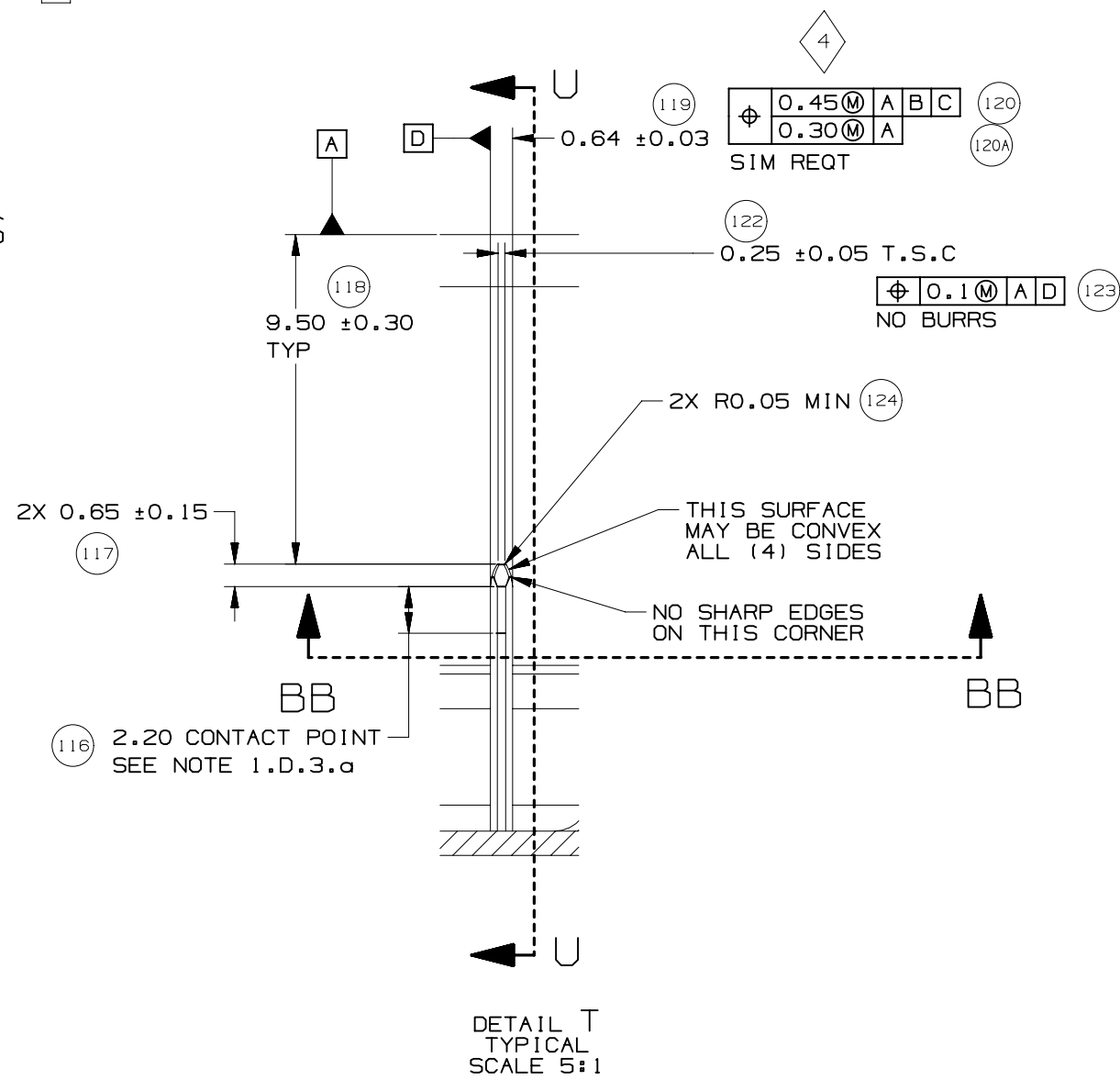
PAGE TITLE  
COMPONENT CONNECTOR INTERFACE

DRAWING NUMBER  
12672833

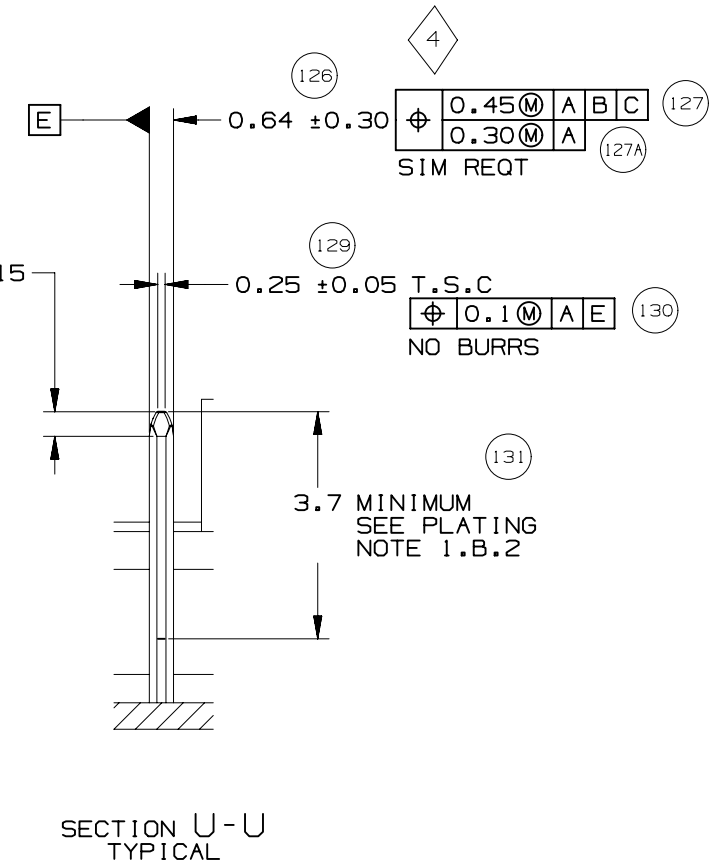
DWG STATUS			PAGE NUMBER	
ST	REV	PD1	19	OF 22
R	001			

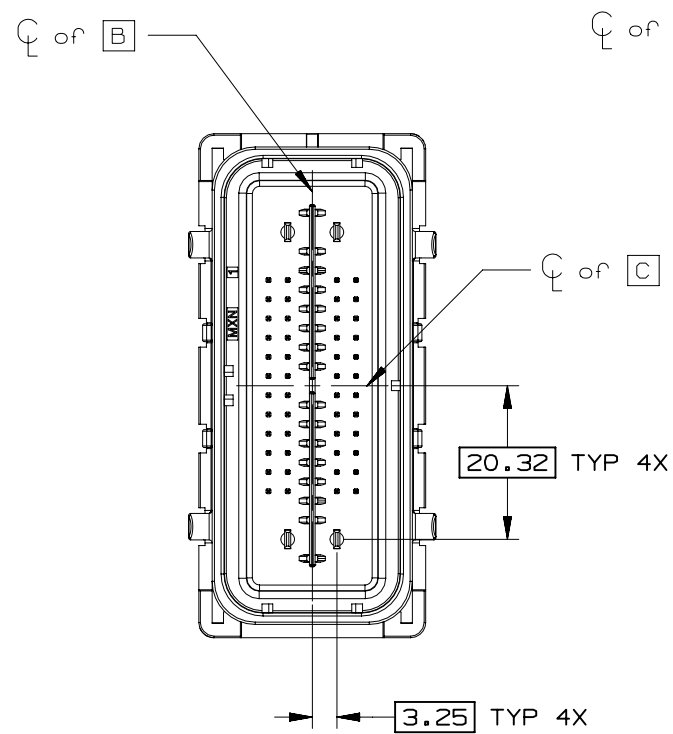


SECTION S-S

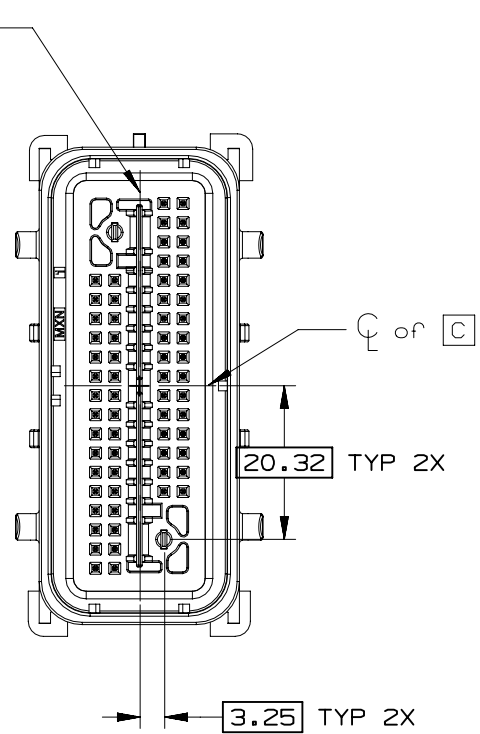


SECTION BB-BB

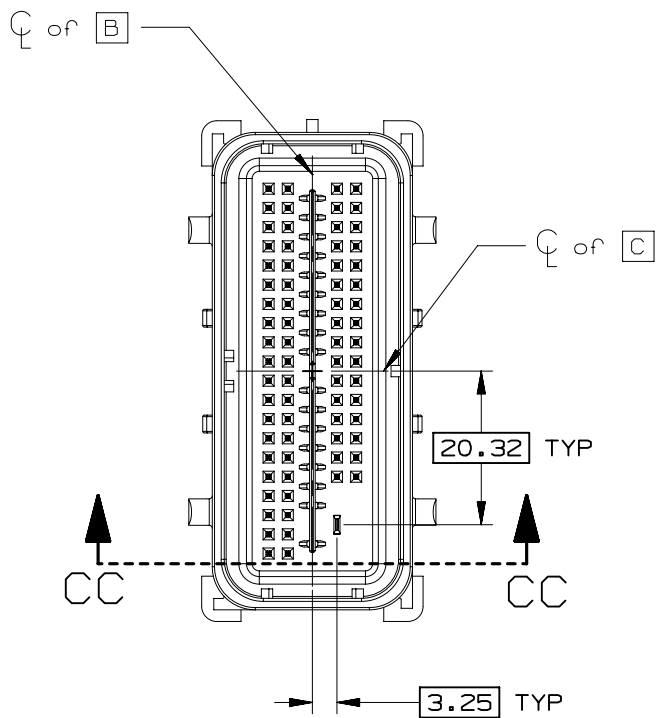




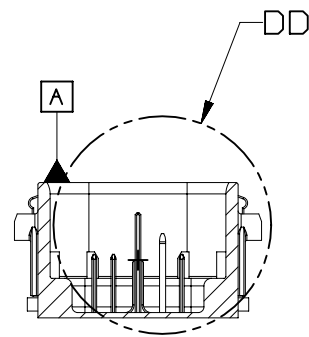
52 CKT COMPONENT  
CONNECTOR INTERFACE



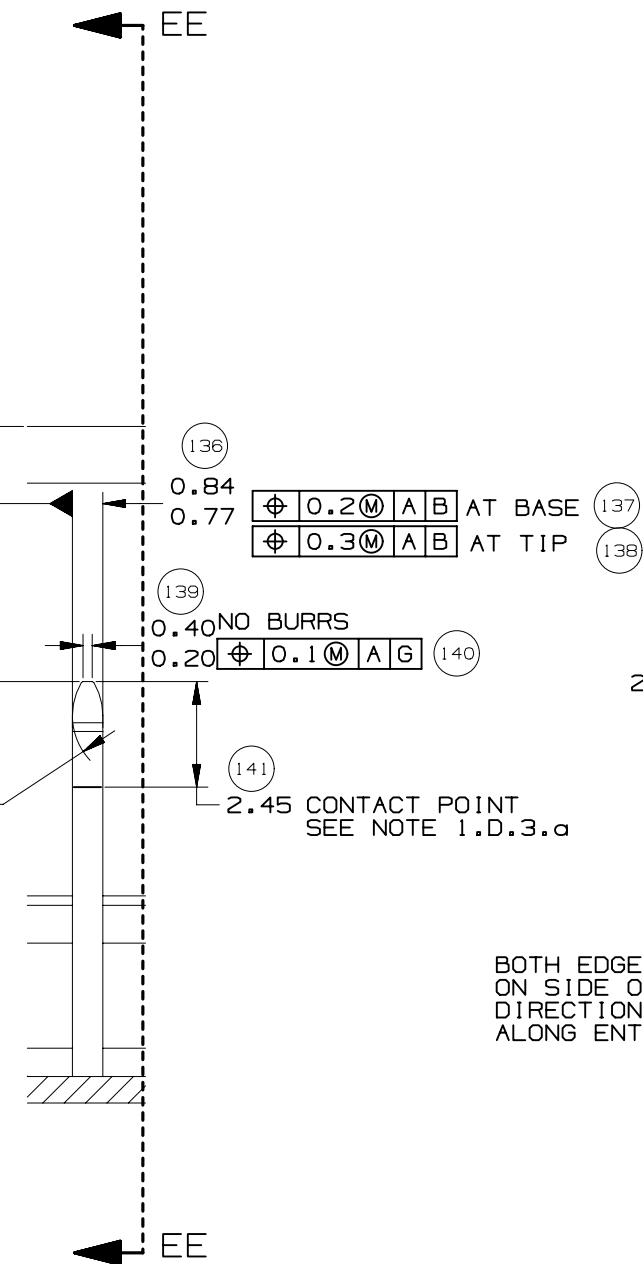
66 CKT COMPONENT  
CONNECTOR INTERFACE



73 CKT COMPONENT  
CONNECTOR INTERFACE



SECTION CC-CC



DETAIL DD  
TYPICAL  
SCALE 5:1

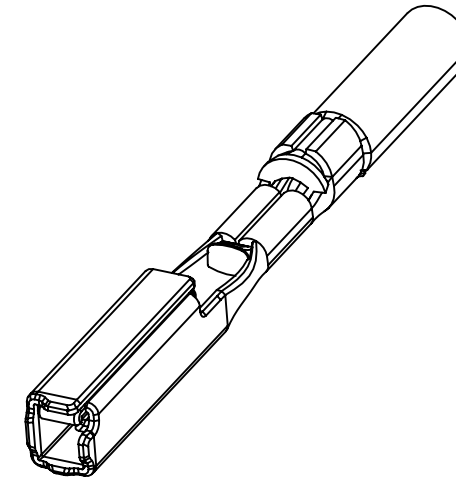
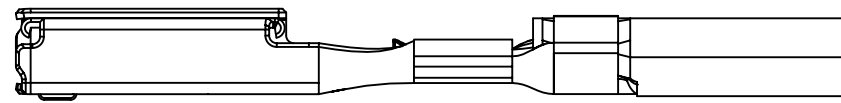
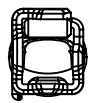
BOTH EDGES COINED  
ON SIDE OPPOSITE  
DIRECTION OF PUNCH  
ALONG ENTIRE LENGTH

SECTION EE-EE  
TYPICAL



MOLEX MX64 RECEPTACLE TERMINAL INFORMATION

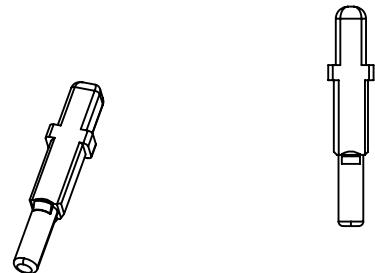
ITEM	MOLEX P/N	GM P/N	WIRE SIZE MM2	TYPE	PLATING	REEL WIND DIRECTION	COMMENTS
1	34736-0025		0.35	ISO	SILVER	LEFT	
2	34736-0026	12672850	0.35	ISO	SILVER	RIGHT	
3	34736-0027		0.5 / 0.75	ISO	SILVER	LEFT	
4	34736-0028	12672851	0.5 / 0.75	ISO	SILVER	RIGHT	



CAVITY PLUGS

ITEM	MFG	MFG P/N	GM P/N RD	SIZE	COLOR	MFG DRAWING	PROD SPEC	APP SPEC	COMMENTS
1	MOLEX	34586-0001	12674820	0.64	NATURAL	SD-34586-001	PS-34566-0000	AS-34566-001	
2	YAZAKI	7158-3114-90	12674821	2.8	BLUE	7158-3114-90	YPES-11-04-062	YPES-15-299	

ITEM 1



ITEM 2



PAGE TITLE  
ADDITIONAL COMPONENTS REQUIRED

DRAWING NUMBER  
12672833

DWG STATUS			PAGE NUMBER	
ST	REV	PDI		
R	001		22	OF 22

MX123 52/66/73/80-WAY RECEPTACLE ASSY SEALED PIN OUT SHEET

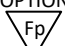
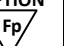

UNCHECKED cavity number(s) are OPEN																																			
72	71	70	69	68	67	66	65	64	63	62	61	60	59	58	57	56	55	54	53																
<input checked="" type="checkbox"/>	<input checked="" type="checkbox"/>	<input checked="" type="checkbox"/>	<input type="checkbox"/>	<input type="checkbox"/>	<input type="checkbox"/>	<input checked="" type="checkbox"/>	<input type="checkbox"/>	<input type="checkbox"/>	<input checked="" type="checkbox"/>	<input checked="" type="checkbox"/>	<input checked="" type="checkbox"/>	<input checked="" type="checkbox"/>	<input checked="" type="checkbox"/>	<input type="checkbox"/>	<input checked="" type="checkbox"/>	<input checked="" type="checkbox"/>	<input checked="" type="checkbox"/>	<input checked="" type="checkbox"/>	<input checked="" type="checkbox"/>	<input checked="" type="checkbox"/>	<input checked="" type="checkbox"/>	<input checked="" type="checkbox"/>													
52	51	50	49	48	47	46	45	44	43	42	41	40	39	38	37	36	35	34	33																
<input checked="" type="checkbox"/>	<input checked="" type="checkbox"/>	<input checked="" type="checkbox"/>	<input checked="" type="checkbox"/>	<input checked="" type="checkbox"/>	<input checked="" type="checkbox"/>	<input checked="" type="checkbox"/>	<input type="checkbox"/>	<input type="checkbox"/>	<input checked="" type="checkbox"/>	<input checked="" type="checkbox"/>	<input checked="" type="checkbox"/>	<input checked="" type="checkbox"/>	<input checked="" type="checkbox"/>	<input checked="" type="checkbox"/>	<input checked="" type="checkbox"/>	<input checked="" type="checkbox"/>	<input checked="" type="checkbox"/>	<input checked="" type="checkbox"/>	<input checked="" type="checkbox"/>	<input checked="" type="checkbox"/>	<input checked="" type="checkbox"/>	<input checked="" type="checkbox"/>													
												32	31	30	29	28	27	26	25	24	23	22	21	20	19	18	17								
												<input type="checkbox"/>	<input checked="" type="checkbox"/>	<input type="checkbox"/>	<input type="checkbox"/>	<input type="checkbox"/>	<input checked="" type="checkbox"/>	<input checked="" type="checkbox"/>	<input checked="" type="checkbox"/>	<input checked="" type="checkbox"/>	<input checked="" type="checkbox"/>	<input checked="" type="checkbox"/>	<input checked="" type="checkbox"/>	<input checked="" type="checkbox"/>	<input checked="" type="checkbox"/>	<input checked="" type="checkbox"/>	<input checked="" type="checkbox"/>	<input checked="" type="checkbox"/>	<input checked="" type="checkbox"/>	<input checked="" type="checkbox"/>	<input checked="" type="checkbox"/>	<input checked="" type="checkbox"/>	<input checked="" type="checkbox"/>		
												<input checked="" type="checkbox"/>	16	15	14	13	12	11	10	9	8	7	6	5	4	3	2	1							
												<input checked="" type="checkbox"/>	<input type="checkbox"/>	<input checked="" type="checkbox"/>	<input type="checkbox"/>	<input checked="" type="checkbox"/>	<input checked="" type="checkbox"/>	<input type="checkbox"/>	<input checked="" type="checkbox"/>	<input checked="" type="checkbox"/>	<input checked="" type="checkbox"/>	<input checked="" type="checkbox"/>	<input checked="" type="checkbox"/>	<input checked="" type="checkbox"/>	<input checked="" type="checkbox"/>	<input checked="" type="checkbox"/>	<input checked="" type="checkbox"/>	<input checked="" type="checkbox"/>	<input checked="" type="checkbox"/>	<input checked="" type="checkbox"/>	<input checked="" type="checkbox"/>	<input checked="" type="checkbox"/>	<input checked="" type="checkbox"/>		

FOR ADDITIONAL INFORMATION SEE SD-34566-001

STATUS	GM PART #	HRNS CONN ASSY			TPA	GROMMET CAP																							
		MATERIAL/PART	WIRE DRESS OPTION	KEY OPTION	COLOR OPTION	NUMBERS INDICATE CAVITIES OPEN FOR CIRCUITS																							
		NUMBER		OPTION ▽ Fp	OPTION ▽ Fp	▽ Fp																							
SALEABLE	12672860	34566-0103	0	A	BLACK																								
SALEABLE	12672862	34566-0203	0	B	ST GRY	72	71	70	69	68	67	66	65	64	63	62	61	60	59	58	57	56	55	54	53				
SALEABLE	12672864	34566-0303	0	C	BLUE	52	51	50	49	48	47	46	45	44	43	42	41	40	39	38	37	36	35	34	33				
TOOL DES. REL.	12615660	34566-0403	0	D	BROWN	73				32	31	30	29	28	27	26	25	24	23	22	21	20	19	18	17				
TOOL DES. REL.	12615661	34566-0503	0	E	GREEN	73				16	15	14	13	12	11	10	9	8	7	6	5	4	3	2	1				
SALEABLE	12672866	34566-0603	0	F	NATURAL																								
SALEABLE	12672872	34566-0703	0	G	BLUE																								
SALEABLE	12672870	34566-0803	0	H	ST GRY	80	79	78	77	76	75	74	73	72	71	70	69	68	67	66	65	64	63	62	61				
TOOL DES. REL.	12672868	34566-0903	0	J	BLACK	60	61	62	63	64	65	66	67	68	69	70	71	72	73	74	75	76	77	78	79				
TOOL DES. REL.	TBD	34566-1003	0	K	BROWN	40	39	38	37	36	35	34	33	32	31	30	29	28	27	26	25	24	23	22	21				
TOOL DES. REL.	TBD	34566-1103	0	L	GREEN	20	19	18	17	16	15	14	13	12	11	10	9	8	7	6	5	4	3	2	1				
TOOL DES. REL.	TBD	34566-1203	0	M	NATURAL																								
SALEABLE	12672861	34566-1303	9	A	BLACK																								
SALEABLE	12672863	34566-1403	9	B	ST GRY	72	71	70	69	68	67	66	65	64	63	62	61	60	59	58	57	56	55	54	53				
SALEABLE	12672865	34566-1503	9	C	BLUE	52	51	50	49	48	47	46	45	44	43	42	41	40	39	38	37	36	35	34	33				
TOOL DES. REL.	12615663	34566-1603	9	D	BROWN	73				32	31	30	29	28	27	26	25	24	23	22	21	20	19	18	17				
TOOL DES. REL.	12615664	34566-1703	9	E	GREEN	73				16	15	14	13	12	11	10	9	8	7	6	5	4	3	2	1				
SALEABLE	12672867	34566-1803	9	F	NATURAL																								
SALEABLE	12672873	34566-1903	9	G	BLUE																								
SALEABLE	12672871	34566-2003	9	H	ST GRY	80	79	78	77	76	75	74	73	72	71	70	69	68	67	66	65	64	63	62	61				
TOOL DES. REL.	12672869	34566-2103	9	J	BLACK	60	61	62	63	64	65	66	67	68	69	70	71	72	73	74	75	76	77	78	79				
TOOL DES. REL.	TBD	34566-2203	9	K	BROWN	40	39	38	37	36	35	34	33	32	31	30	29	28	27	26	25	24	23	22	21				
TOOL DES. REL.	TBD	34566-2303	9	L	GREEN	20	19	18	17	16	15	14	13	12	11	10	9	8	7	6	5	4	3	2	1				
TOOL DES. REL.	TBD	34566-2403	9	M	NATURAL																								
SALEABLE	12672856	34822-0013	0	A	BLACK	64	63	62	61	60	59	58	57	56	55	54	53	52	51	50	49	66							
						48	47	46	45	44	43	42	41	40	39	38	37	36	35	34	33								
SALEABLE	12672858	34822-0033	0	C	BLUE	65				32	31	30	29	28	27	26	25	24	23	22	21	20	19	18	17				
						65				16	15	14	13	12	11	10	9	8	7	6	5	4	3	2	1				
SALEABLE	12672857	34822-0023	9	A	BLACK	64	63	62	61	60	59	58	57	56	55	54	53	52	51	50	49	66							
						48	47	46	45	44	43	42	41	40	39	38	37	36	35	34	33								
SALEABLE	12672859	34822-0043	9	C	BLUE	65				32	31	30	29	28	27	26	25	24	23	22	21	20	19	18	17				
						65				16	15	14	13	12	11	10	9	8	7	6	5	4	3	2	1				



MX123 52/66/73/80-WAY RECEPTACLE ASSY SEALED PIN OUT SHEET

STATUS	GM PART #	HRNS CONN ASSY				TPA	GROMMET CAP																																																																													
		MATERIAL/PART	WIRE DRESS OPTION	KEY OPTION 	COLOR OPTION 	NUMBERS INDICATE CAVITIES OPEN FOR CIRCUITS 																																																																														
		NUMBER																																																																																		
TOOL DES. REL.	12672852	160094-0001	0	A	BLACK	<table border="1" style="width:100%; text-align:center;"> <tr><td>52</td><td>14</td><td>13</td><td>12</td><td>11</td><td>10</td><td>9</td><td>8</td><td>7</td><td>6</td><td>5</td><td>4</td><td>3</td><td colspan="3">2</td></tr> <tr><td></td><td>26</td><td>25</td><td>24</td><td>23</td><td>22</td><td>21</td><td>20</td><td>19</td><td>18</td><td>17</td><td>16</td><td>15</td><td colspan="3"></td></tr> <tr><td>51</td><td>38</td><td>37</td><td>36</td><td>35</td><td>34</td><td>33</td><td>32</td><td>31</td><td>30</td><td>29</td><td>28</td><td>27</td><td colspan="3">1</td></tr> <tr><td></td><td>50</td><td>49</td><td>48</td><td>47</td><td>46</td><td>45</td><td>44</td><td>43</td><td>42</td><td>41</td><td>40</td><td>39</td><td colspan="3"></td></tr> </table>															52	14	13	12	11	10	9	8	7	6	5	4	3	2				26	25	24	23	22	21	20	19	18	17	16	15				51	38	37	36	35	34	33	32	31	30	29	28	27	1				50	49	48	47	46	45	44	43	42	41	40	39			
52	14	13	12	11	10																9	8	7	6	5	4	3	2																																																								
	26	25	24	23	22																21	20	19	18	17	16	15																																																									
51	38	37	36	35	34																33	32	31	30	29	28	27	1																																																								
	50	49	48	47	46																45	44	43	42	41	40	39																																																									
TOOL DES. REL.	N/A	160094-0002	0	B	ST GRY																																																																															
TOOL DES. REL.	12672854	160094-0003	0	C	BLUE																																																																															
TOOL DES. REL.	N/A	160094-0004	0	D	BROWN																																																																															
TOOL DES. REL.	N/A	160094-0005	0	E	GREEN																																																																															
TOOL DES. REL.	N/A	160094-0006	0	F	NATURAL																																																																															
TOOL DES. REL.	12672853	160094-0013	9	A	BLACK	<table border="1" style="width:100%; text-align:center;"> <tr><td>52</td><td>14</td><td>13</td><td>12</td><td>11</td><td>10</td><td>9</td><td>8</td><td>7</td><td>6</td><td>5</td><td>4</td><td>3</td><td colspan="3">2</td></tr> <tr><td></td><td>26</td><td>25</td><td>24</td><td>23</td><td>22</td><td>21</td><td>20</td><td>19</td><td>18</td><td>17</td><td>16</td><td>15</td><td colspan="3"></td></tr> <tr><td>51</td><td>38</td><td>37</td><td>36</td><td>35</td><td>34</td><td>33</td><td>32</td><td>31</td><td>30</td><td>29</td><td>28</td><td>27</td><td colspan="3">1</td></tr> <tr><td></td><td>50</td><td>49</td><td>48</td><td>47</td><td>46</td><td>45</td><td>44</td><td>43</td><td>42</td><td>41</td><td>40</td><td>39</td><td colspan="3"></td></tr> </table>															52	14	13	12	11	10	9	8	7	6	5	4	3	2				26	25	24	23	22	21	20	19	18	17	16	15				51	38	37	36	35	34	33	32	31	30	29	28	27	1				50	49	48	47	46	45	44	43	42	41	40	39			
52	14	13	12	11	10																9	8	7	6	5	4	3	2																																																								
	26	25	24	23	22																21	20	19	18	17	16	15																																																									
51	38	37	36	35	34																33	32	31	30	29	28	27	1																																																								
	50	49	48	47	46																45	44	43	42	41	40	39																																																									
TOOL DES. REL.	N/A	160094-0014	9	B	ST GRY																																																																															
TOOL DES. REL.	12672855	160094-0015	9	C	BLUE																																																																															
TOOL DES. REL.	N/A	160094-0016	9	D	BROWN																																																																															
TOOL DES. REL.	N/A	160094-0017	9	E	GREEN																																																																															
TOOL DES. REL.	N/A	160094-0018	9	F	NATURAL																																																																															
NA	NA	NA	NA	NA	NA	<table border="1" style="width:100%; text-align:center;"> <tr><td colspan="15">73</td></tr> </table>															73																																																															
73																																																																																				
SALEABLE	NOT APPLICABLE	34566-2503	0	A	BLACK	72	71		69	68	67	66		64	63	62		59			56			53																																																												
									50				48		46		44	43	42		39		36	35	33																																																											
						73					32		30	29		27			23		20			17																																																												
												14	13	12	11		9	8			5	4	3	2	1																																																											
SALEABLE	NOT APPLICABLE	34566-2603	0	B	ST GRY				49	48	47			44					39		37		35	33																																																												
						73							29	28					23		21																																																															
																			7																																																																	
SALEABLE	NOT APPLICABLE	34566-2703	0	B	ST GRY				49	48	47			44					39		37		35	33																																																												
						73							29	28					23		21																																																															
																			7																																																																	
SALEABLE	TBD	34566-2803	0	H	ST GRY																																																																															
SALEABLE	NOT APPLICABLE	34566-2903	0	A	BLACK	72	71	70	69	68	67	66		64	63	62	61		59				55	54	53																																																											
						52	51		49	48				44	43	42	41		39				35	34	33																																																											
						73					32	31		29		27		25		23			19	18	17																																																											
												16		13	12	11		9	8	7	6	5	4	3	2	1																																																										
SALEABLE	NOT APPLICABLE	34566-3003	0	A	BLACK	72	71	70	69	68	67	66		64	63	62		60	59	58	57	56	55	54	53																																																											
						52	51	50	49	48	47	46		44	43	42	41	40	39	38	37	36	35	34	33																																																											
						73					32	31	30	29	28	27		25	24	23	22	21	20	19	18	17																																																										
												16	15	14	13	12	11		9	8	7	6	5	4	3	2	1																																																									
SALEABLE	NOT APPLICABLE	34566-3103	0	B	ST GRY				49	48		46					62		59		57		55	53																																																												
						73										42		39		37		35		33																																																												
																29		26		23		21		18																																																												
												15						9	8	7		4	3																																																													
SALEABLE	NOT APPLICABLE	34566-3203	0	B	ST GRY				50	49	48		46					60	59	58	57	56	55		53																																																											
						73										29				39	38	37		35	34	33																																																										
												16	15	14						23	22	21			18																																																											
																			7	6	5	4	3																																																													
SALEABLE	NOT APPLICABLE	34566-3303	0	B	ST GRY				50	49	48		46						59	58	57	56	55		53																																																											
						73										29				39	38	37		35	34	33																																																										
																			23	22	21			18																																																												
												16	15	14						7	6	5	4	3																																																												
SALEABLE	NOT APPLICABLE	34566-3403				SEE 34566-3003																																																																														
SALEABLE	NOT APPLICABLE	34566-3503	0	A	BLACK	72	71		69	68	67	66		64	63	62		60	59																																																																	
						52			49	48		46		44	43	42		40	39					35	33																																																											
						73					32			29		27			24	23				17																																																												
												14	13	12	11		9	8	7	6	5	4	3	2	1																																																											

MX123 52/66/73/80-WAY RECEPTACLE ASSY SEALED PIN OUT SHEET

STATUS	GM PART #	HRNS CONN ASSY			TPA	GROMMET CAP																					
		MATERIAL/PART	WIRE DRESS OPTION	KEY OPTION Fp	COLOR OPTION Fp	NUMBERS INDICATE CAVITIES OPEN FOR CIRCUITS																					
		NUMBER				Fp																					
SALEABLE	NOT APPLICABLE	34566-3603	0	B	ST GRY					68				64					59		57		55		53		
								49	48		46							39		37				35		33	
						73				32			29						23		21					18	
SALEABLE	NOT APPLICABLE	34566-3703	0	A	BLACK					68	67	66	65					59				55		53			
								49	48	47			44				39					35		33			
						73							29	28					23								
SALEABLE	NOT APPLICABLE	34566-3803	0	A	BLACK	72	71		69	68	67	66		64	63	62		59			56			53			
								50		48		46		44	43	42		39				36	35		33		
						73				32			30	29			27			23				20			17
SALEABLE	NOT APPLICABLE	34566-3903	0	B	ST GRY									65					59		57		55		53		
								49	48		46		44				39		37			35		33			
						73							29	28					24	23		21					
SALEABLE	NOT APPLICABLE	34566-4003	0	B	ST GRY						67	66		64	63			59		57		55		53			
								50	49	48				43			39		37			35		33			
						73				32			29			27			24	23		21				18	
SALEABLE	NOT APPLICABLE	34566-4103	0	A	BLACK	72	71		69	68	67	66		64	63	62		60	59				35		33		
						52			49	48		46	45	44	43	42		40	39								
						73				32			29			27	26		24	23							
SALEABLE	NOT APPLICABLE	34566-4203	0	B	ST GRY									64				59		57		55		53			
								50	49	48		46					39		37			35		33			
						73				32			29					24	23		21					18	
SALEABLE	NOT APPLICABLE	34566-4303	0	A	BLACK			70	69	68	67		65	64	63		61		59	58	57	56					
								50	49	48	47					41			38	37	36			34	33		
						73				32	31	30	29	28	27			24	23			20	19	18			
SALEABLE	NOT APPLICABLE	34566-4403	0	A	BLACK	72	71	70	69	68	67	66	65	64	63		61		59	58	57	56					
								50	49	48	47					41			38	37	36			34	33		
						73				32	31	30	29	28	27			24	23			20	19	18			
SALEABLE	NOT APPLICABLE	34566-4503	0	H	ST GRY		79	78	77	76	75	74	73	72	71	70	69	68		66	65	64	63		61		
						60	59	58	57	56				53			50						44	43		41	
						40	39	38	37		35	34	33	32			30	29		27	26			24	23	22	21
SALEABLE	NOT APPLICABLE	34566-4603	0	H	ST GRY		79	78	77	76	75	74	73	72	71	70	69	68		66	65	64	63		61		
						60	59	58	57	56				53			50						44	43		41	
						40	39	38	37		35	34	33	32			30	29		27	26					22	21
SALEABLE	NOT APPLICABLE	34566-4703	0	B	ST GRY						67	66	65	64				59	58	57		55		53			
								49	48	47			44				39	38	37		35		33				
						73							29						23	22	21						
SALEABLE	NOT APPLICABLE	34566-4803	0	A	BLACK	72	71		69	68	67	66		64	63	62	61		59					35	33		
										48				44		42	41		39								
						73				32			29			27		25		23							17
SALEABLE	NOT APPLICABLE	34566-4903	0	A	BLACK	72	71	70	69	68		66	65	64	63	62	61		59	58	57	56	55		33		
						52	51	50	49		47			44	43		41			38	37	36	35	34			
						73				32	31	30	29	28	27			24	23					20	19	18	17
SALEABLE	NOT APPLICABLE	34566-5003	0	H	ST GRY		79	78	77	76	75	74	73	72	71	70	69	68		66	65	64	63		61		
						60	59	58	57	56				53	52		50						44	43		41	
						40	39	38	37		35	34	33	32			30	29		27	26						21



# MX123 52/66/73/80-WAY RECEPTACLE ASSY SEALED PIN OUT SHEET

STATUS	GM PART #	HRNS CONN ASSY			TPA	GROMMET CAP																				
		MATERIAL/PART	WIRE DRESS OPTION	KEY OPTION ▽ Fp	COLOR OPTION ▽ Fp	NUMBERS INDICATE CAVITIES OPEN FOR CIRCUITS																				
		NUMBER				▽ Fp																				
SALEABLE	NOT APPLICABLE	34566-5103	0	B	ST GRAY	49	48	67	66	65					59		57		55		53					
								47	46	44				39		37		35		33						
						73				29	28					23		21								
SALEABLE	NOT APPLICABLE	34566-5203	0	A	BLACK	72	71		69	68	67	66		64	63	62		59	58	57	56		54	53		
						52	51	50	49	48	47	46		44	43	42		39	38	37	36	35	34	33		
						73			32	31	30	29		27			24	23	22	21	20	19		17		
SALEABLE	NOT APPLICABLE	34566-5303	0	B	ST GRAY								65	64					59		57		55	53		
						50	49	48		46								39		37		35		33		
						73			32			29						23		21						
SALEABLE	NOT APPLICABLE	34566-5403	0	B	ST GRAY								65	64					59	58	57	56	55	53		
						50	49	48		46	45						39	38	37		35	34	33			
						73			32			29					23	22	21				18			
SALEABLE	NOT APPLICABLE	34566-5503	0	A	BLACK	72	71		69	68	67	66		64	63	62		60	59							
						52			49	48		46		44	43	42		40	39				35		33	
						73			32			29		27	26		24	23						17		
SALEABLE	NOT APPLICABLE	34566-5603	SEE 34566-2503																							
SALEABLE	NOT APPLICABLE	34566-5703	0	B	ST GRAY					68								59		57		55		53		
						49	48		46							39		37		35						
						73						29						23		21					18	17
SALEABLE	NOT APPLICABLE	34566-5803	0	B	ST GRAY								65						59		57		55	53		
						49	48	47								39		37		35					33	
						73						29						23		21						17
SALEABLE	NOT APPLICABLE	34566-5903	0	A	BLACK	72	71		69	68	67	66		64	63	62										
									48				44	43	42				39				35		33	
						73			32			29		27				23								17
SALEABLE	NOT APPLICABLE	34566-6003	0	B	ST GRAY								67	66	65					59		57		55	53	
						49	48	47										39		37		35				33
						73						29						23		21						
SALEABLE	NOT APPLICABLE	34566-6103	0	B	ST GRAY								67	66	65			62								
						49	48	47										39		37		35				33
						73						29				26		23		21						
SALEABLE	NOT APPLICABLE	34566-6203	0	A	BLACK	71	70	69	68				65	64	63		61									
						52	51	50	49		47					41			38	37	36		34		33	
						73			32	31	30	29	28	27			24	23							18	
SALEABLE	NOT APPLICABLE	34566-6303	0	A	BLACK			70	69	68			65	64	63		61									
						52	51	50	49		47					41			38	37	36		34		33	
						73			32	31	30	29	28	27			24	23							18	
SALEABLE	NOT APPLICABLE	34566-6403	0	A	BLACK			70	69	68			65	64	63		61									
						52		50	49		47					41			38	37	36		34		33	
						73			32	31	30	29	28	27			24	23							18	17
SALEABLE	NOT APPLICABLE	34566-6503	0	A	BLACK		71		69	68			65	64	63		61									
						52		50	49		47					41			38	37	36		34		33	
						73			32	31	30	29	28	27			24	23							18	17

**MX123 52/66/73/80-WAY RECEPTACLE ASSY SEALED PIN OUT SHEET**

STATUS	GM PART #	HRNS CONN ASSY			TPA	GROMMET CAP																							
		MATERIAL/PART	WIRE DRESS OPTION	KEY OPTION	COLOR	NUMBERS INDICATE CAVITIES OPEN FOR CIRCUITS																							
		NUMBER		OPTION	OPTION																								
SALEABLE	NOT APPLICABLE	34566-6603	0	H	ST GRY																								
							79	78	77	76	75	74	73	72	71	70	69	68		66	65	64	63			61			
						60	59	58	57	56			53	52		50							44	43					
						40	39	38	37		35	34	33	32		30	29			27	26					22	21		
SALEABLE	NOT APPLICABLE	34566-6703	0	H	ST GRY																								
							79	78	77	76	75	74	73	72	71	70	69	68		66	65	64	63			61			
						60	59	58	57	56			53			50							44	43					
						40	39	38	37		35	34	33	32		30	29			27	26					22	21		
SALEABLE	NOT APPLICABLE	34566-6803	0	B	ST GRY																								
									49	48		46																	
SALEABLE	NOT APPLICABLE	34566-6903	0	B	ST GRY																								
									49	48		46																	
SALEABLE	NOT APPLICABLE	34566-7003	0	B	ST GRY																								
									50	49	48	47																	
SALEABLE	NOT APPLICABLE	34566-7103	0	A	BLACK																								
SALEABLE	NOT APPLICABLE	34566-7203	0	B	ST GRY																								
									69	68		66																	
									49	48		46		44															
SALEABLE	NOT APPLICABLE	34566-7303	0	B	ST GRY																								
SALEABLE	NOT APPLICABLE	34566-7403	0	B	ST GRY																								
									50	49	48		46																
SALEABLE	NOT APPLICABLE	34566-7503	0	A	BLACK																								
SALEABLE	NOT APPLICABLE	34566-7603	0	B	ST GRY																								
									69	68		66																	
									49	48		46		44															
SALEABLE	NOT APPLICABLE	34566-7703	0	A	BLACK																								
SALEABLE	NOT APPLICABLE	34566-7803	0	A	BLACK																								
SALEABLE	NOT APPLICABLE	34566-7903	0	B	ST GRY																								
SALEABLE	NOT APPLICABLE	34566-8003	0	A	BLACK																								
									69	68																			
									50	49	48	47																	

MX123 52/66/73/80-WAY RECEPTACLE ASSY SEALED PIN OUT SHEET

STATUS	GM PART #	HRNS CONN ASSY			TPA	GROMMET CAP																						
		MATERIAL/PART	WIRE DRESS OPTION	KEY OPTION Fp	COLOR OPTION Fp	NUMBERS INDICATE CAVITIES OPEN FOR CIRCUITS																						
		NUMBER				Fp																						
SALEABLE	NOT APPLICABLE	34566-8103	0	H	ST GRY			78						72	71	70	69	68		66	65	64	63		61			
						60	59	58	57	56			53	52		50						27	26		24		22	21
						40			37		35	34	33	32		30	29					8		6	5		3	2
SALEABLE	NOT APPLICABLE	34566-8203	0	A	BLACK			70			67	66							58		56	55	54					
										47			44	43	42	41		39		37	36		34					
						73				31	30			27		25	24			21	20	19	18					
SALEABLE	NOT APPLICABLE	34566-8303	0	A	BLACK	72	71		69	68	67	66		64	63	62			59	58	57	56		54	53			
						52	51	50	49	48	47	46		44	43	42			39	38	37	36	35	34	33			
						73				32	31	30	29		27			24	23	22	21	20	19		17			
SALEABLE	NOT APPLICABLE	34566-8403	0	B	ST GRY								65	64					59		57		55	53				
								50	49	48		46						39		37		35		33				
						73				32			29					24	23		21							
SALEABLE	NOT APPLICABLE	34566-8503	0	B	ST GRY																							
								50	49	48		46						39		37		35		33				
						73				32			29					24	23		21							
SALEABLE	NOT APPLICABLE	34566-8603	0	A	BLACK				69	68	67	66		64	63	62			59	58	57	56		54	53			
									49	48		46		44				39	38	37		35		33				
						73							29	28				23		21				18	17			
SALEABLE	NOT APPLICABLE	34566-8703	0	B	ST GRY				69	68		66		64					59		57		55	53				
								50	49	48	47		44				39		37		35		33					
						73							29	28				23		21								
SALEABLE	NOT APPLICABLE	34566-8803	0	B	ST GRY					68	67	66	65					59	58	57			54	53				
							51	50	49	48		46	45		43	42		40	39	38	37						33	
						73				32	31	30				26		24	23	22		20						
SALEABLE	NOT APPLICABLE	34566-8903	0	H	ST GRY			78								71	70	69	68	67	66	65	64	63	61			
								58	57	56			53	52		51	50							44	43		41	
						40			37		35	34	33	32		30	29					27	26				22	21
SALEABLE	NOT APPLICABLE	34566-9003	0	B	ST GRY				69	68		66		64					59		57		55	53				
								49	48		46		44					39		37		35		33				
						73							29	28				23		21				18				
SALEABLE	NOT APPLICABLE	34566-9103	0	A	BLACK					68			65		63		61		59	58		56			53			
						52	51	50			47						41			38	37	36	35	34	33			
						73				32	31	30	29	28	27		25	24	23	22	21	20	19	18	17			
SALEABLE	NOT APPLICABLE	34566-9203	0	A	BLACK	72	71	70	69	68	67	66		64	63	62		60	59					55	54	53		
						52			49	48				44	43	42		40	39	38					35	34	33	
						73						30	29	28	27			24	23		19	18	17					
SALEABLE	NOT APPLICABLE	34566-9303	0	A	BLACK																							
								50	49	48	47	46		44	43	42			39	38	37	36	35	34	33			
						73				32	31	30	29		27			24	23	22	21	20	19		17			
SALEABLE	NOT APPLICABLE	34566-9403	0	B	ST GRY					68	67	66	65					59	58	57			54	53				
							51	50	49	48		46	45		43	42	41	40	39	38	37		35					
						73				32	31	30				26		24	23	22		20						
SALEABLE	NOT APPLICABLE	34566-9503	0	A	BLACK					68			65	64	63		61		59	58	57	56						
						52	51		49		47						41			38	37	36		34	33			
						73				32	31	30	29	28	27			24	23			20	19	18	17			

MX123 52/66/73/80-WAY RECEPTACLE ASSY SEALED PIN OUT SHEET

STATUS	GM PART #	HRNS CONN ASSY			TPA	GROMMET CAP																				
		MATERIAL/PART	WIRE DRESS OPTION	KEY OPTION Fp	COLOR OPTION Fp	NUMBERS INDICATE CAVITIES OPEN FOR CIRCUITS																				
		NUMBER				Fp																				
SALEABLE	NOT APPLICABLE	34566-9603	0	A	BLACK	52	71	70	69	68	47	66	65	64	63	61	59	58	57	56	35	34	33			
						73			32	31	30	29	28	27	24	23	20	19	18	17						
						73			16	15	14	13	12	11	10	9										1
SALEABLE	NOT APPLICABLE	34566-9703	0	A	BLACK	72	71	70	69	68	47	65	64	63	61	59	57	56								
						52	51	50	49					41		38	37	36		34	33					
						73			32	31	30	29	28	27	24	23	20	19	18							
SALEABLE	NOT APPLICABLE	34566-9803	0	A	BLACK	72	71	70	69	68	47	65	64	63	61	59	57	56								
						52	51	50	49					41		38	37	36		34	33					
						73			32	31	30	29	28	27	24	23	20	19	18							
SALEABLE	NOT APPLICABLE	34566-9903	0	A	BLACK	52	71	70	69	68	47	65	64	63	61	59	58	57	56							
								50	49					41		38	37	36		34	33					
						73			32	31	30	29	28	27	24	23	20	19	18	17						
SALEABLE	NOT APPLICABLE	34566-1013	0	A	BLACK	52	71	70	69	68	47	65	64	63	61	59	58	57	56							
								50	49					41		38	37	36		34	33					
						73			32	31	30	29	28	27	24	23	20	19	18	17						
SALEABLE	NOT APPLICABLE	34566-1023	0	A	BLACK	52	71	70	69	68	47	65	64	63	61	59	58	57	56							
								50	49					41		39	37	36		35	54					
						73			32	31	30	27	25	24	21	20	19	18	17							
SALEABLE	NOT APPLICABLE	34566-1033	0	A	BLACK	72	71	70	69	68	47	65	64	63	61	59	58	57	56							
								50	49					41		39	37	36		35						
						73			32	31	30	27	26	25	24	21	20	19	18	17						
SALEABLE	NOT APPLICABLE	34566-1043	0	B	ST GRAY	52	71	70	69	68	47	65	64	63	61	59	58	57	56							
								50	49					41	40	39	38	37	36	35						
						73			32	31	30				24	23	22	20								
SALEABLE	NOT APPLICABLE	34566-1053	0	H	ST GRAY	60	59	58	57	56	35	34	33	32	30	29	27	26								
						40	39	38	37					43	42	41	40	39	38	37	36	35				
						20	19	18	17	16		14	13	12	11	10	9	8	7	6	5	4				
SALEABLE	NOT APPLICABLE	34566-1063	0	B	ST GRAY	52	71	70	69	68	47	65	64	63	61	59	58	57	56	55						
								50	49					41	40	39	38	37	36	35						
						73			32	31	30	29	28		24	23	21									
SALEABLE	NOT APPLICABLE	34566-1073	0	A	BLACK	72	71	70	69	68	47	65	64	63	61	59	58	57	56							
								50	49					42	41		38	37	36		34	33				
						73			32	31	30	29	28	27	26	24	23	20	19	18						
SALEABLE	NOT APPLICABLE	34566-1083	0	B	ST GRAY	52	71	70	69	68	47	65	64	63	61	59	58	57	56	55						
								50	49					43	42	41	40	39	38	37	36	35				
						73			32	31	30				26	24	23	22	20							
SALEABLE	NOT APPLICABLE	34566-1093	0	A	BLACK	52	71	70	69	68	47	65	64	63	61	59	58	57	56	55						
								50	49					44	43	42	41	39	37	36		34				
						73			32	31	30				27	25	24		21	20	19	18				
SALEABLE	NOT APPLICABLE	34566-1123	0	H	ST GRAY	52	71	70	69	68	47	65	64	63	61	59	58	57	56	55						
								50	49					43	42	41	40	39	38	37	36	35				
						73			32	31	30				26	24	23	22	20							
SALEABLE	NOT APPLICABLE	34566-1133	0	A	BLACK	52	71	70	69	68	47	65	64	63	61	59	58	57	56	55						
								50	49					44	43	42	41	39	37	36		34				
						73			32	31	30				27	25	24		21	20	19	18				

MX123 52/66/73/80-WAY RECEPTACLE ASSY SEALED PIN OUT SHEET

STATUS	GM PART #	HRNS CONN ASSY			TPA	GROMMET CAP																						
		MATERIAL/PART	WIRE DRESS OPTION	KEY OPTION Fp	COLOR OPTION Fp	NUMBERS INDICATE CAVITIES OPEN FOR CIRCUITS																						
		NUMBER				Fp																						
SALEABLE	NOT APPLICABLE	34566-1143	0	A	BLACK	52		50		68			65		63		61		59	58		56			53			
										32	31	30	29	28	27		25	24	23	22	21	20	19	18	17			
						73				16	15	14	13	12	11	10	9											1
SALEABLE	NOT APPLICABLE	34566-1153	0	A	BLACK			70				67	66	65					58	57		55						
									49			47			44	43	42	41		39		37						
						73				32		30			27		25	24	23		21	20	19	18				
SALEABLE	NOT APPLICABLE	34566-1163	0	H	ST GRY			78						72	71	70	69	68		66	65	64	63		61			
						60	59	58	57	56			53	52		50								44	43		41	
						40			37		35	34		32		30	29		27	26							22	21
SALEABLE	NOT APPLICABLE	34566-1173	0	A	BLACK	20	19	18	17	16			13	12				8		6	5		3	2				
						72	71		69	68			65	64	63	62	61	60	59	58		56		54				
						52		50	49	48	47		45			42	41		39	38	37	36		34	33			
SALEABLE	NOT APPLICABLE	34566-1183	0	B	ST GRY	73				32	31	30	29	28	27	26		24	23		20	19	18	17				
										16			13	12	11	10	9											
SALEABLE	NOT APPLICABLE	34566-1193	0	A	BLACK							66	65	64		62			59		57		55		53			
									49	48	47			44		42			39		37		35				33	
						73							29	28				23		21								17
SALEABLE	NOT APPLICABLE	34566-1213	0	A	BLACK	72	71		69	68	67	66		64	63	62		60	59						54	53		
						52			49	48		46		44	43	42			39								34	33
						73				32			29			27			23									
SALEABLE	NOT APPLICABLE	34566-1223	0	B	ST GRY	72	71		69	68	67	66		64	63	62		59							54	53		
						52			49	48		46		44	43	42			39								34	33
						73				32			29			27			23									
SALEABLE	NOT APPLICABLE	34566-1233	0	B	ST GRY							65			62			59		57		55		53				
									48					43	42			39		37		35					33	
						73							29			27	26		23		21							17
SALEABLE	NOT APPLICABLE	34566-1243	0	B	ST GRY													59		57		55		53				
								50		48		46						39		37		35					33	
						73							29					23		21								17
SALEABLE	NOT APPLICABLE	34566-1253	9	B	ST GRY												60	59		57		55		53				
									49	48		46					40	39		37		35					33	
						73												24	23		21							2
SALEABLE	NOT APPLICABLE	34566-1263	9	A	BLACK	NUMBERS IN BOLD MUST USE SAE WIRE MEETING SAE J1128, WIRE SIZE (NO.20) OR (NO.18 MAX. O.D. OF 2.06 MM) PER G.M. DRAWING NUMBER 12582682.																						
						72	71		69	68	67	66		64	63	62		60	59			56					53	
								50		48		46		44	43	42			39				36	35				33
SALEABLE	NOT APPLICABLE	34566-1273	0	A	BLACK	73				32		30	29		27		24	23		20				17				
												14	13	12	11		9	8			5	4	3	2	1			
								70	69	68			65	64	63		61		59	58	57	56						
SALEABLE	NOT APPLICABLE	34566-1283	0	A	BLACK	52		50	49	48	47					41			38	37	36		34	33				
						73				32	31	30	29	28	27		24	23				20	19	18				
										16			13	12	11	10	9											1

MX123 52/66/73/80-WAY RECEPTACLE ASSY SEALED PIN OUT SHEET

STATUS	GM PART #	HRNS CONN ASSY			TPA	GROMMET CAP																						
		MATERIAL/PART	WIRE DRESS OPTION	KEY OPTION ▽ Fp	COLOR OPTION ▽ Fp	NUMBERS INDICATE CAVITIES OPEN FOR CIRCUITS																						
		NUMBER				▽ Fp																						
SALEABLE	NOT APPLICABLE	34566-1293	0	A	BLACK	52		50		68			65		63		61		59	58		56			34	33		
						73				32	31	30	29	28	27			24	23					20	19	18	17	
						73				16				13	12	11	10	9										
SALEABLE	NOT APPLICABLE	34566-1313	0	H	ST GRAY	80		78						72	71	70	69	68			66	65	64	63		61		
								58	57	56	55	54	53										46		44	43	42	
						40			37		35				32			30	29				27	26				
SALEABLE	NOT APPLICABLE	34566-1323	0	A	BLACK	72	71	70	69	68	67	66	65	64	63	62		60	59	58	57	56	55	54	53			
						52	51	50	49	48	47	46	45	44	43	42	41	40	39	38	37	36	35	34	33			
						73				32	31	30	29	28	27			25	24	23	22	21	20	19	18	17		
SALEABLE	NOT APPLICABLE	34566-1333	0	A	BLACK			70	69	68			65	64					59	58		56						
						52		50	49		47					41					38	37	36			34		
						73				32	31	30	29	28	27					23					20	19	18	17
SALEABLE	NOT APPLICABLE	34566-1343	0	A	BLACK																							
								50	49	48	47							41				38	37	36			34	
						73				32	31	30	29	28	27					23					20	19	18	17
SALEABLE	NOT APPLICABLE	34566-1353	0	H	ST GRAY		79	78	77	76	75	74	73	72	71	70	69	68			66	65	64	63		61		
						60	59	58	57	56			53				50								44	43		41
						40	39	38	37		35	34			32			30	29				27	26				
SALEABLE	NOT APPLICABLE	34566-1363	0	A	BLACK	72	71		69	68	67	66		64	63	62				59						53		
										48		46		44	43	42					39						33	
						73				32			29		27			24	23									17
SALEABLE	NOT APPLICABLE	34566-1373	0	B	ST GRAY																							
												66	65			62			59		57		55				53	
						73							29			26			23		21							17
SALEABLE	NOT APPLICABLE	34566-1383	0	B	ST GRAY																							
								49	48	47	46								59	58	57		55				53	
						73							29						23	22	21							17
SALEABLE	NOT APPLICABLE	34566-1393	0	A	BLACK			70			67	66					61			58	57		55	54				
										47		45	44	43	42	41		39		37						34		
						73				32		30			27		25	24			21	20	19	18				1
SALEABLE	NOT APPLICABLE	34566-1423	0	B	ST GRAY					68	67	66	65				61	60	59	58	57			54	53			
							51	50	49	48	47	46	45		43	42	41	40	39	38	37		35	34	33			
						73				32	31	30				26		24	23	22	21	20						
SALEABLE	NOT APPLICABLE	34566-1433	0	B	ST GRAY																							
									49	48		46							59		57		55				53	
						73				32			29						23		21						18	17
SALEABLE	NOT APPLICABLE	34566-1443	0	B	ST GRAY				69	68		66																
									49	48		46							59		57		55				53	
						73							29						23		21							17
SALEABLE	NOT APPLICABLE	34566-1453	0	B	ST GRAY																							
									49	48	47								59		57		55				53	
						73							29	28	26			23		21								17
SALEABLE	NOT APPLICABLE	34566-1463	0	A	BLACK				69	68			65	64	63	62	61	60	59	58		56						
						52		50	49	48	47		45				41			38	37	36			34	33		
						73				32	31	30	29	28	27			24	23					20	19	18	17	



MX123 52/66/73/80-WAY RECEPTACLE ASSY SEALED PIN OUT SHEET

STATUS	GM PART #	HRNS CONN ASSY			TPA	GROMMET CAP																					
		MATERIAL/PART	WIRE DRESS OPTION	KEY OPTION Fp	COLOR OPTION Fp	NUMBERS INDICATE CAVITIES OPEN FOR CIRCUITS																					
		NUMBER				Fp																					
SALEABLE	NOT APPLICABLE	34566-1473	0	A	BLACK	72	71		69	68	67	66		64	63	62			59					54	53		
						52			49	48		46		44	43	42			39							34	33
						73						32			29		27			24	23						
SALEABLE	NOT APPLICABLE	34566-1483	0	A	BLACK	72	71		69	68				65	64	63		61		59	58		56				
						52		50	49		47						41			38	37	36			34	33	
						73				32	31	30	29	28	27			24	23			20	19	18	17		
SALEABLE	NOT APPLICABLE	34566-1493	0	B	ST GRAY					68								59	58	57		55		53			
									49	48		46							39	38	37		35			33	
						73							29					23	22	21			18	17			
SALEABLE	NOT APPLICABLE	34566-1513	0	B	ST GRAY								65					59		57		55		53			
									49	48		46						39		37		35			33		
						73						29						23		21						17	
SALEABLE	NOT APPLICABLE	34566-1523	0	A	BLACK			70	69	68			65	64				59	58		56		54				
						52		50	49		47					42	41			38	37	36		34			
						73				32	31	30	29	28	27	26			23			20	19	18	17		
SALEABLE	NOT APPLICABLE	34566-1533	0	A	BLACK	72	71	70	69	68							59	58	57	56							
						52	51	50	49		47							41			38	37	36		34	33	
						73				32	31	30	29	28	27			24	23			20	19	18	17		
SALEABLE	NOT APPLICABLE	34566-1543	0	B	ST GRAY				69	68		66					59		57		55		53				
									49	48		46						39		37		35			33		
						73						29						23		21							
SALEABLE	12582677	34566-1553	0	A	BLACK																						
						73																					
TOOL DESIGN SALEABLE	NOT APPLICABLE	34566-1563	9	A	BLACK																						
						73																					
TOOL DESIGN SALEABLE	NOT APPLICABLE	34566-1573	9	H	ST GRAY																						
						73																					
SALEABLE	NOT APPLICABLE	34566-1583	0	A	BLACK			70				67	66	65				61		58	57		55	54			
									49		47		45	44	43	42	41		39		37			34			
						73				32		30			27		25	24			21	20	19	18	17		
SALEABLE	NOT APPLICABLE	34566-1593	0	B	ST GRAY					67		65				61	60	59	58	57		54	53				
							51	50	49	48	47	46	45		43	42		40	39		37		34	33			
						73				32	31	30			26		24	23	22	21	20						
SALEABLE	NOT APPLICABLE	34566-1613	0	H	ST GRAY		79	78	77	76	75	74	73	72	71	70	69	68		66	65	64	63		61		
							60	59	58	57	56			53			50						44	43		41	
							40	39	38	37		35	34	33	32		30	29		27	26		24	23	22	21	
SALEABLE	NOT APPLICABLE	34566-1623	0	B	ST GRAY							66	65			62		59		57		55	53				
										48	47				42		39		37		35						
						73						29			26		23		21								17
SALEABLE	NOT APPLICABLE	34566-1633	0	B	ST GRAY				69	68		66					59		57		55	53					
								50		48	47						39		37		35					33	
						73						29			12	11	10			7	6	5	4	3			17

MX123 52/66/73/80-WAY RECEPTACLE ASSY SEALED PIN OUT SHEET

STATUS	GM PART #	HRNS CONN ASSY			TPA	GROMMET CAP																							
		MATERIAL/PART	WIRE DRESS OPTION	KEY OPTION Fp	COLOR OPTION Fp	NUMBERS INDICATE CAVITIES OPEN FOR CIRCUITS																							
		NUMBER				Fp																							
SALEABLE	NOT APPLICABLE	34566-1643	0	B	ST GRAY				69	68		66								59		57		55		53			
								50		48		46										39		37		35		33	
						73								29									23		21				17
SALEABLE	NOT APPLICABLE	34566-1653	0	B	ST GRAY							66								59		57		55		53			
								50		48		46										39		37		35		33	
						73								29									23		21				17
SALEABLE	NOT APPLICABLE	34566-1663	0	B	ST GRAY							66								59		57		55		53			
								50		48		46										39		37		35		33	
						73								29									23		21				17
SALEABLE	NOT APPLICABLE	34566-1673	0	A	BLACK	72	71	70	69	68	67	66	65	64	63	62		60	59						55	54	53		
						52			49	48			45	44	43	42	41	40	39								35	34	33
						73								29									25	24	23				19
SALEABLE	NOT APPLICABLE	34566-1683	0	B	ST GRAY							67	66			63				59	58	57	56	55		53			
								50	49	48												39	38	37	36	35		33	
						73								29									23	22	21				17
SALEABLE	NOT APPLICABLE	34566-1693	0	B	ST GRAY							66		64						59		57		55		53			
								49	48		46											39		37		35		33	
						73								29									23		21				17
SALEABLE	NOT APPLICABLE	34566-1713	0	B	ST GRAY		71	70		68		66	65	64	63		60	59	58	57	56	55	54	53					
							51	50	49	48		46	45		43		41	40	39	38	37	36	35						
						73								31	30								24	23	22		20	19	
SALEABLE	NOT APPLICABLE	34566-1723	0	B	ST GRAY		71	70		68		66	65					60	59	58	57			54	53				
							51	50	49	48		46	45		43		41	40	39	38	37	36	35						
						73								31	30								24	23	22		20		
SALEABLE	NOT APPLICABLE	34566-1733	0	A	BLACK			70		68	67	66	65							58	57			55					
								49	48		47			44	43	42	41		39							35			
						73								32		30							25	24			21	20	19
SALEABLE	NOT APPLICABLE	34566-1743	0	A	BLACK			70		68	67	66	65							58	57			55					
								49	48		47			44	43	42	41		39							35			
						73								32		30							25	24			21	20	19
SALEABLE	NOT APPLICABLE	34566-1753	0	A	BLACK			70		68	67	66	65							58	57			55					
								49	48		47			44	43	42	41		39							35			
						73								32									25	24			21	20	19
SALEABLE	NOT APPLICABLE	34566-1763	0	B	ST GRAY							67		65					61	60	59	58	57		54	53			
							51	50	49	48	47	46	45		43			40	39							37		34	33
						73								32	31	30							26	25	24	23	22	21	20
SALEABLE	NOT APPLICABLE	34566-1773	0	C	BLUE	72		70				67	66			63	62			59		57				53			
						52	51					46		44		42		40	39									34	33
						73								30									27	26	25		22	21	20
SALEABLE	NOT APPLICABLE	34566-1783	0	C	BLUE							67	66			63	62			59		57				53			
							51	70				46		44		42		40	39									34	33
						73								30									26	25			22	21	20
SALEABLE	NOT APPLICABLE	34566-1793	0	A	BLACK				69																				
						52	51		49					44	43	42	41												
						73								32			29	28	27	26									

MX123 52/66/73/80-WAY RECEPTACLE ASSY SEALED PIN OUT SHEET

STATUS	GM PART #	HRNS CONN ASSY			TPA	GROMMET CAP																				
		MATERIAL/PART	WIRE DRESS OPTION	KEY OPTION Fp	COLOR OPTION Fp	NUMBERS INDICATE CAVITIES OPEN FOR CIRCUITS																				
		NUMBER				Fp																				
SALEABLE	NOT APPLICABLE	34566-1813	0	B	ST GRAY	72	71	70		68	67	66				62	61	60	59	58	57	56	55	54	53	
						52	51	50		48	47	46				42	41	40	39	38	37	36	35	34	33	
						73				32	31	30	29	28	27	26	25	24	23							
SALEABLE	NOT APPLICABLE	34566-1823	0	A	BLACK	72	71	70	69	68		66	65	64			61		59	58		56		54	53	
						52		50	49		47				42	41			38	37	36			34	33	
						73				32	31	30	29	28	27	26		24	23	22	21	20	19	18	17	
SALEABLE	NOT APPLICABLE	34566-1833	0	A	BLACK					68		65		63		61		59	58		56					
						52		50			47				41			38	37	36			34	33		
						73				32	31	30	29	28	27		25	24	23			20	19	18	17	
SALEABLE	NOT APPLICABLE	34566-1843	0	A	BLACK					68		65		63		61		59	58		56			53		
						52		50			47				41			38	37	36			34	33		
						73				32	31	30	29	28	27		25	24	23			20	19	18	17	
SALEABLE	NOT APPLICABLE	34566-1853	0	A	BLACK			70	69	68	67		65		63		61	60			57	56	55	54	53	
						52		50	49	48	47		44	43		41	40			37	36	35	34	33		
						73						30	29	28		25	24			21	20	19	18	17		
SALEABLE	NOT APPLICABLE	34566-1863	0	B	ST GRAY					68	67		65	64	63											
											46	45		43												
						73				32		30	29	28	27											
SALEABLE	NOT APPLICABLE	34566-1873	0	C	BLUE	72		70			67	66			63	62			59		57			53		
						52	51					46		44		42		40	39						34	33
						73				32		30			27	26	25			22	21	20				
SALEABLE	NOT APPLICABLE	34566-1883	0	A	BLACK			70		68	67	66	65					58	57		55					
								49		47		44	43	42	41	40	39		37		35					
						73				32		30			27		25	24			21	20	19	18	17	
SALEABLE	NOT APPLICABLE	34566-1893	0	C	BLUE			70				66		63			59		57					53		
						52	51				46		44		42		40	39							34	33
						73				32		30			27	26	25			22	21	20				
SALEABLE	NOT APPLICABLE	34566-1913	0	B	ST GRAY	72		70		68		66				60	59					55	54	53		
						52		50		48		46				40	39						35	34	33	
						73				32	31	30	29	28	27	26	25	24								
SALEABLE	NOT APPLICABLE	34566-1923	0	A	BLACK				69					63			58		56	55	54	53				
						52	51		49				44	43	42	41					36	35	34	33		
						73				32				28		26						19	18			
SALEABLE	NOT APPLICABLE	34566-1933	0	A	BLACK			70			67	66	65				58	57		55						
								49		47		44	43	42	41	40	39		37		35					
						73				32		30			27		25	24			21	20	19	18	17	
SALEABLE	NOT APPLICABLE	34566-1943	0	A	BLACK			70			67	66	65				58	57		55						
							51		49		47		44	43	42	41	40	39		37		35				
						73				32		30			27		25	24			21	20	19	18	17	
SALEABLE	NOT APPLICABLE	34566-1953	0	C	BLUE			70				66		63			59		57					53		
						52	51			48	47	46		44		42		40	39						34	33
						73						30			26	25			22	21	20					
SALEABLE	NOT APPLICABLE	34566-1963	0	C	BLUE			70				66		63			59		57					53		
						52	51				46		44		42		40	39							34	33
						73						30			26	25			22	21	20					

MX123 52/66/73/80-WAY RECEPTACLE ASSY SEALED PIN OUT SHEET

STATUS	GM PART #	HRNS CONN ASSY			TPA	GROMMET CAP																						
		MATERIAL/PART	WIRE DRESS OPTION	KEY OPTION Fp	COLOR OPTION Fp	NUMBERS INDICATE CAVITIES OPEN FOR CIRCUITS																						
		NUMBER				Fp																						
SALEABLE	NOT APPLICABLE	34566-1973	0	A	BLACK	52	51		69														56	55	54	53		
									49						44	63	42	41							36	35	34	33
						73				32				28		26			23					21			19	18
SALEABLE	NOT APPLICABLE	34566-1983	0	B	ST GRAY																							
						73																						
SALEABLE	NOT APPLICABLE	34566-1993	0	C	BLUE																							
						73																						
SALEABLE	NOT APPLICABLE	34566-2013	0	A	BLACK		71	70					65					60	59	58	57				54	53		
							51	50	49	48		46	45		43		41	40	39		37	36	35					33
						73				32	31	30						24	23	22		20						
SALEABLE	NOT APPLICABLE	34566-2023	0	A	BLACK			70		68	67	66	65							58	57				55			
									49		47			44	43	42	41		39		37		35					
						73				32		30				27		25	24		21	20	19	18	17			
SALEABLE	NOT APPLICABLE	34566-2033	0	A	BLACK		71	70					65	64				60	59	58	57				54	53		
							51	50	49	48		46	45		43		41	40	39		37	36	35					33
						73				32	31	30						24	23	22		20						
SALEABLE	NOT APPLICABLE	34566-2043	0	A	BLACK			70			67	66	65						58	57				55				
									49		47			44	43	42	41		39		37		35					
						73				32		30				27		25	24		21	20	19	18	17			
SALEABLE	NOT APPLICABLE	34566-2053	0	B	ST GRAY			70		68	67	66	65						58	57				55				
									49		47			44	43	42	41		39		37		35					
						73				32		30				27		25	24	23		21	20	19	18			
SALEABLE	NOT APPLICABLE	34566-2063	0	H	ST GRAY			78						72	71	70	69	68		66	65	64	63		61			
								58	57	56			53	52		50						44	43				41	
						40			37		35	34			32		30	29		27	26						22	21
SALEABLE	NOT APPLICABLE	34566-2073	0	H	ST GRAY			78						72	71	70	69	68		66	65	64	63		61			
								58	57	56			53	52		50						44	43				41	
						40			37		35	34			32		30	29		27	26						22	21
SALEABLE	NOT APPLICABLE	34566-2083	0	H	ST GRAY			78						72	71	70	69	68	67	66	65	64	63		61			
								58	57	56			53	52	51	50						44	43				41	
						40			37		35	34			32		30	29		27	26						22	21
SALEABLE	NOT APPLICABLE	34566-2093	0	A	BLACK					68			65		63		61		59	58			56					
											47						41			38	37	36			34	33		
						73				32	31	30	29	28	27		25	24	23		20	19	18	17				
SALEABLE	NOT APPLICABLE	34566-2113	0	H	ST GRAY		79	78	77	76	75	74	73	72	71	70	69	68		66	65	64	63		61			
							60	59	58	57	56	55		53	52		50					44	43	42	41			
						40	39	38	37		35	34	33	32		30	29		27	26							22	21
SALEABLE	NOT APPLICABLE	34566-2123	0	H	ST GRAY			79	78	77	76	75	74	73	72	71	70	69	68		66	65	64	63		61		
								60	59	58	57	56	55		53	52		50				44	43	42	41			
						40	39	38	37		35	34	33	32		30	29		27	26							22	21
SALEABLE	NOT APPLICABLE	34566-2133	0	B	ST GRAY		71	70					65	64				60	59	58	57			55	54	53		
							51	50	49	48		46	45		43		41	40	39		37	36	35					33
						73				32	31	30						24	23	22		20						

MX123 52/66/73/80-WAY RECEPTACLE ASSY SEALED PIN OUT SHEET

STATUS	GM PART #	HRNS CONN ASSY			TPA	GROMMET CAP																				
		MATERIAL/PART	WIRE DRESS OPTION	KEY OPTION Fp	COLOR OPTION Fp	NUMBERS INDICATE CAVITIES OPEN FOR CIRCUITS																				
		NUMBER				Fp																				
SALEABLE	NOT APPLICABLE	34566-2143	0	B	ST GRAY	71	70					65				60	59	58	57			54	53			
						51	50	49	48		46	45		43		41	40	39		37	36	35			33	
						73			32	31	30					24	23	22		20						
SALEABLE	NOT APPLICABLE	34566-2153	0	A	BLACK			70		68	67	66	65					58	57		55					
								49		47			44	43	42	41		39		37						
						73			32		30			27		25	24	23		21	20	19	18			
SALEABLE	NOT APPLICABLE	34566-2163	0	A	BLACK			70			67	66				61		58		55	54					
								49		47		45	44	43	42	41		39		37			34			
						73			32					27		24			21	20	19	18	17			
SALEABLE	NOT APPLICABLE	34566-2173	0	A	BLACK			70			67	66	65			61		58		55	54					
								49		47		45	44	43	42	41		39		37			34			
						73			32		30			27		25	24		21	20	19	18	17			
SALEABLE	NOT APPLICABLE	34566-2183	0	A	BLACK			70			67	66					58	57		55						
								49		47			44	43	42	41		39		37						
						73			32					27		24			21	20	19	18	17			
SALEABLE	NOT APPLICABLE	34566-2193	0	A	BLACK			70			67	66	65				58	57		55						
								49		47			44	43	42	41		39		37			34			
						73			32		30			27		25	24		21	20	19	18	17			
SALEABLE	NOT APPLICABLE	34566-2213	9	H	ST GRAY		79	78	77	76	75	74	73	72	71	70	69	68		66	65	64	63		61	
						60	59	58	57	56			53			50							44	43		41
						40	39	38	37		35	34	33	32		30	29		27	26			24	23	22	21
SALEABLE	NOT APPLICABLE	34566-2223	0	A	BLACK	72	71	70	69	68	67	66		64	63	62		60	59			55	54	53		
						52			49	48		46		44	43	42		40	39				35	34	33	
						73			32			29		27		24	23					19	18	17		
SALEABLE	NOT APPLICABLE	34566-2233	0	A	BLACK				69						63				58		56		54			
						52	51		49				44	43	42	41						36	35	34	33	
						73			32				28		26								19	18		
SALEABLE	NOT APPLICABLE	34566-2243	0	H	ST GRAY		79	78	77	76	75	74	73	72	71	70	69	68		66	65	64	63		61	
						60	59	58	57	56			53	52		50							44	43		41
						40	39	38	37		35	34	33	32		30	29		27	26			24	23	22	21
SALEABLE	NOT APPLICABLE	34566-2253	0	A	BLACK	72	71	70	69	68		66	65	64	63		61		59	58		56		54	53	
						52		50	49		47				42	41			38	37	36		34	33		
						73			32	31	30	29	28	27	26		24	23	22	21	20	19	18	17		
SALEABLE	NOT APPLICABLE	34566-2263	0	A	BLACK				69						63				58		56		54	53		
						52	51	50	49				44	43	42	41						36	35	34	33	
						73			32				28		26								19	18		
SALEABLE	NOT APPLICABLE	34566-2273	0	A	BLACK				69						63	62	61		58	57	56	55	54	53		
						52	51	50	49				44	43	42	41					37	36	35	34	33	
						73			32			29	28	27	26								19	18		
SALEABLE	NOT APPLICABLE	34566-2283	0	B	ST GRAY				49	68	67	66	65	64	63						55					
									48		46	45	44	43												
						73			32		30	29	28	27												
SALEABLE	NOT APPLICABLE	34566-2293	0	C	BLUE	72		70		68		66			63				59		57			53		
						52	51			48	47	46		44		42		40	39						34	33
						73					30				26	25			22	21						



MX123 52/66/73/80-WAY RECEPTACLE ASSY SEALED PIN OUT SHEET

STATUS	GM PART #	HRNS CONN ASSY			TPA	GROMMET CAP																					
		MATERIAL/PART	WIRE DRESS OPTION	KEY OPTION Fp	COLOR OPTION Fp	NUMBERS INDICATE CAVITIES OPEN FOR CIRCUITS																					
		NUMBER				Fp																					
SALEABLE	NOT APPLICABLE	34566-2473	0	A	BLACK			70		68	67	66	65						58	57		55					
								49			47		30			44	43	42	41		39		37		35		
						73				32								27		25	24			21	20	19	18
SALEABLE	NOT APPLICABLE	34566-2483	0	A	BLACK				69							63	62	61			58	57	56	55	54	53	
						52	51		49					44	43	42	41					37	36	35	34	33	
						73				32				29	28	27	26					23				19	18
SALEABLE	NOT APPLICABLE	34566-2493 SAME AS P/N 34566-3863	0	B	ST GRAY	72	71	70		68	67	66				62	61	60	59	58	57	56	55	54	53		
						52	51	50		48	47	46				42	41	40	39	38	37	36	35	34	33		
						73				32	31	30	29	28	27	26	25	24									
SALEABLE	NOT APPLICABLE	34566-2513	0	C	BLUE	72		70		68	67	66			63	62			59		57				53		
						52	51			48	47	46		44		42		40	39							34	33
						73				32		30				27	26	25				22	21	20			
SALEABLE	NOT APPLICABLE	34566-2523	0	A	BLACK	72	71	70	69	68	67	66	65	64	63	62		60	59					55	54	53	
						52			49	48			45	44	43	42	41	40	39						35	34	33
						73				32				29	28	27		25	24	23						19	18
SALEABLE	NOT APPLICABLE	34566-2533	0	B	ST GRAY						67	66	65		63				59	58	57	56	55	54	53		
								50	49	48		46	45		43				39	38	37	36	35	34	33		
						73								29		27				23	22	21					18
SALEABLE	NOT APPLICABLE	34566-2543	0	C	BLUE	72		70				66			63			59		57					53		
						52	51					46		44		42		40	39							34	33
						73				32		30				27	26	25			22	21					
SALEABLE	NOT APPLICABLE	34566-2553	9	B	ST GRAY	72	71	70		68	67	66				62	61	60	59	58	57	56	55	54	53		
						52	51	50		48	47	46				42	41	40	39	38	37	36	35	34	33		
						73				32	31	30	29	28	27	26	25	24	23								
SALEABLE	NOT APPLICABLE	34566-2563	9	A	BLACK				69						63	62	61			58	57	56	55	54	53		
						52	51	50	49					44	43	42	41		39			37	36	35	34	33	
						73				32				29	28	27	26								19	18	
SALEABLE	NOT APPLICABLE	34566-2573	9	C	BLUE	72		70			67	66			63	62			59		57				53		
						52	51					46		44		42		40	39							34	33
						73						30				27	26	25			22	21	20				
SALEABLE	NOT APPLICABLE	34566-2583	0	A	BLACK				69						63					58	57	56	55	54	53		
						52	51	50	49					44	43	42	41		39					36	35	34	33
						73				32				28		26									19	18	
SALEABLE	NOT APPLICABLE	34566-2593	0	C	BLUE	72		70				66			63	62			59		57				53		
						52	51					46		44		42		40	39							34	33
						73				32		30				27	26	25			22	21					
SALEABLE	NOT APPLICABLE	34566-2613	9	C	BLUE	72		70			67	66			63	62			59		57				53		
						52	51					46		44		42		40	39							34	33
						73						30				27	26	25			22	21	20				
SALEABLE	NOT APPLICABLE	34566-2623	0	A	BLACK		71		69	68	67		65	64	63		61		59		57	56					
								50	49		47					41			38	37	36			34	33		
						73				32	31	30	29	28	27		24	23					4				
SALEABLE	NOT APPLICABLE	34566-2633	0	A	BLACK		71		69	68	67		65	64			61		59		57	56					
								50	49		47					41			38	37	36					33	
						73				32	31	30	29	28	27		24	23					20	19	18		



MX123 52/66/73/80-WAY RECEPTACLE ASSY SEALED PIN OUT SHEET

STATUS	GM PART #	HRNS CONN ASSY			TPA	GROMMET CAP																		
		MATERIAL/PART	WIRE DRESS OPTION	KEY OPTION	COLOR	NUMBERS INDICATE CAVITIES OPEN FOR CIRCUITS																		
		NUMBER		Fp	Fp	Fp																		
SALEABLE	NOT APPLICABLE	34566-2643	0	A	BLACK	71	69	68	67	65	64	63	61	59	57	56	34	33						
						50	49		47				41	39	38	37	36							
						73			32	31	30	29	28	27	24	23	22	20	19	18				
SALEABLE	NOT APPLICABLE	34566-2653	0	A	BLACK	71	69	68	67	65	64		61	59	57	56								
						50	49		47			41	39	38	37	36			33					
						73			32	31	30	29	28	27	24	23	22	20	19	18				
SALEABLE	NOT APPLICABLE	34566-2663	0	H	ST GRY	79	78	77	76	75	74	73	72	71	70	69	68	66	65	64	63	61		
						60	59	58	57	56		53		50					44	43		41		
						40	39	38	37		35	34		32		30	29		27	26			22	21
SALEABLE	NOT APPLICABLE	34566-2673	0	H	ST GRY	79	78	77	76	75	74	73	72	71	70	69	68	66	65	64	63	61		
						60	59	58	57	56		53	52		50				44	43		41		
						40	39	38	37		35	34		32		30	29		27	26			22	21
SALEABLE	NOT APPLICABLE	34566-2683	0	H	ST GRY	78						72	71	70	69	68	67	66	65	64	63	61		
						60	59	58	57	56		53	52	51	50		48	47			44	43	41	
						40		37		35	34		32		30	29		27	26				22	21
SALEABLE	NOT APPLICABLE	34566-2693	0	B	ST GRY	71	70		68		66	65		60	59	58	57			54	53			
						51	50	49	48		46	45		43	42	41	40	39	38	37	36	35	33	
						73			32	31	30					24	23	22		20				
SALEABLE	NOT APPLICABLE	34566-2713	0	A	BLACK	69	68		65	64	63		61	60	59	58			56					
						52		50	49		47			41			38	37	36		34	33		
						73			32	31	30	29	28	27	25	24	23		20	19	18	17		
SALEABLE	NOT APPLICABLE	34566-2723	0	B	ST GRY	71	70		68		66	65	64	63		60	59	58	57	56	55	54	53	
						51	50	49	48		46	45		43	42	41	40	39	38	37	36	35		33
						73			32	31	30					24	23	22		20	19			
SALEABLE	NOT APPLICABLE	34566-2733	0	A	BLACK	70			68	67	66	65		63	62		58	57			55			
								49		47			44	43	42	41		39	37					
						73			32		30			27		25	24	23		21	20	19	18	17
SALEABLE	NOT APPLICABLE	34566-2743	0	C	BLUE	72		70		67	66		63	62		59						53		
						52	51				46		44		42		40	39					34	33
						73			32		30				26	25			22	21	20			
SALEABLE	NOT APPLICABLE	34566-2753	0	A	BLACK								63	62	61						53			
						52	51		49				44	43	42	41			37	36	35	34	33	
						73			32		29	28	27	26								19	18	
SALEABLE	NOT APPLICABLE	34566-2763	0	B	ST GRY	72	71	70		68	67	66		62	61	60	59	58	57	56	55	54	53	
						52	51	50		48	47	46		42	41	40	39	38	37	36	35	34	33	
						73			32	31	30	29	28	27	26	25	24							
SALEABLE	NOT APPLICABLE	34566-2773	0	H	ST GRY																	61		
						20										9				5				
SALEABLE	NOT APPLICABLE	34566-2783	9	H	ST GRY																	61		
						20										9				5				
SALEABLE	NOT APPLICABLE	34566-2793	9	A	BLACK					67	66													
						73			32	31	30	29		27		25		22	21		19	18	17	



MX123 52/66/73/80-WAY RECEPTACLE ASSY SEALED PIN OUT SHEET

STATUS	GM PART #	HRNS CONN ASSY			TPA	GROMMET CAP																					
		MATERIAL/PART	WIRE DRESS OPTION	KEY OPTION Fp	COLOR OPTION Fp	NUMBERS INDICATE CAVITIES OPEN FOR CIRCUITS																					
		NUMBER				Fp																					
SALEABLE	NOT APPLICABLE	34566-2813	9	B	ST GRAY	72	71	70	69	68	67	66	65	64		62	61	60	59	58	57	56	55	54			
						52	51	50	49	48		46		44				40				37	36				
						73				32	31	30	29	28	27		25	24				21	20			18	
SALEABLE	NOT APPLICABLE	34566-2823	0	A	BLACK						67	66															
											47					41											
						73				32	31	30	29		27		25			22	21			19	18	17	
SALEABLE	NOT APPLICABLE	34566-2833	0	B	ST GRAY	72	71	70	69	68	67	66	65			61	60				57	56	55	54			
						52	51	50	49	48		46		44				40				37	36				
						73				32	31	30	29	28	27			24			21	20	19	18	17		
SALEABLE	NOT APPLICABLE	34566-2843	0	A	BLACK						67	66															
											47					41											
						73				32	31	30	29		27		25			22	21			19	18	17	
SALEABLE	NOT APPLICABLE	34566-2853	0	B	ST GRAY	72	71	70	69	68	67	66	65	64	63		61	60				57	56	55	54		
						52	51	50	49	48		46		44				40				37	36				
						73				32	31	30	29	28	27			24			21	20	19	18	17		
SALEABLE	NOT APPLICABLE	34566-2863	0	A	BLACK						67	66															
											47					41											
						73				32	31	30	29		27		25			22	21			19	18	17	
SALEABLE	NOT APPLICABLE	34566-2873	0	B	ST GRAY	72	71	70	69	68	67	66							59	58	57	56	55	54	53		
						52	51	50	49	48		46		44	43	42		40	39					35	34	33	
						73				32			29	28	27			24	23			19	18	17			
SALEABLE	NOT APPLICABLE	34566-2883	0	A	BLACK			70	69						63	62	61			58	57	56	55	54	53		
						52	51		49				44	43	42	41					37	36			34		
						73				32			29	28	27	26								19	18		
SALEABLE	NOT APPLICABLE	34566-2893	0	A	BLACK				69		67	66	65		63			60			57	56		53			
									49		47	46		44	43		40				37	36	35		33		
						73				32		30	29	28			24			21	20						
SALEABLE	NOT APPLICABLE	34566-2913	0	B	ST GRAY					68	67			64					58								
												46	45							38							
						73				32		30	29	28	27				22							17	
SALEABLE	NOT APPLICABLE	34566-2923	0	B	ST GRAY						67			64													
												46	45														
						73				32		30	29	28	27											17	
SALEABLE	NOT APPLICABLE	34566-2933	0	A	BLACK	72			69		67		65		63			60			57	56		53			
									49		47		44	43		40				37	36	35		33			
						73				32	31	30	29	28			24			21	20			17			
SALEABLE	NOT APPLICABLE	34566-2943	0	B	ST GRAY					68	67			64	63			59		57							
												46	45		43			39		37							
						73				32		30	29	28	27				21								
SALEABLE	NOT APPLICABLE	34566-2953	0	B	ST GRAY						67			64	63			59						34			
												46	45		43			39									
						73				32		30	29	28	27				10			6	5	4	3		
SALEABLE	NOT APPLICABLE	34566-2963	0	H	ST GRAY		79						74	73	72	71		69	68	67			64		62	61	
							59						54	53	52			49	48	47						42	41
								38					33						29	27		25					

MX123 52/66/73/80-WAY RECEPTACLE ASSY SEALED PIN OUT SHEET

STATUS	GM PART #	HRNS CONN ASSY			TPA	GROMMET CAP																							
		MATERIAL/PART	WIRE DRESS OPTION	KEY OPTION Fp	COLOR OPTION Fp	NUMBERS INDICATE CAVITIES OPEN FOR CIRCUITS																							
		NUMBER				Fp																							
SALEABLE	NOT APPLICABLE	34566-2973	0	G	BLUE	80		78	77		75	74	73	72		70	69		67		65	64	63	62					
						60		58	57		55	54		52	51	50	49		47		45								
						40		38	37					33	32	31				27	26	25	24						
						20		18	17									10	9	8		6	5			3	2	1	
SALEABLE	NOT APPLICABLE	34566-9913	0	A	BLACK	72	71			68	67	66	65	64					59										
								50		48	47	46	45					40	39	38									
						73					31	30						25	24		22	21	20					17	
												14						9	7	6	5	4				2	1		
SALEABLE	NOT APPLICABLE	34566-9923	0	A	BLACK	72	71			67	66				62	61	60			57			55	54					
							51			48		46	45	44	43	42			39					35		33			
						73											26	25	24										
												15	14						8	7	6	5	4	3	2				
SALEABLE	NOT APPLICABLE	34566-9933	0	B	ST GRAY				69			65	64	63															
									49			45	44	43															
						73										12	11				6	5	4	3	2	1			
																					22	21	20	19	18	17			
SALEABLE	NOT APPLICABLE	34566-9943	0	C	BLUE		71		69			65	64			61	60			58		56	55	54					
								50	49			45		43		41				37	36	35							
						73					31		29	28				24	23					19	18	17			
												16		13	12	11			8	7				3	2	1			
SALEABLE	NOT APPLICABLE	34566-9953	0	A	BLACK					67					62		60			57			55						
							51			48		46	45	44	43			39					35						
						73												25											
												15	14						7	6	5	4	3	2					
SALEABLE	NOT APPLICABLE	34566-9963	0	B	ST GRAY				68	67			64	63					58			55							
											46	45		43					38			35							
						73					32		30	29	28	27			22			19	17						
												15		13			10										1		
SALEABLE	NOT APPLICABLE	34566-9973	0	B	ST GRAY				68	67			64	63					58										
											46	45		43					38										
						73					32		30	29	28	27			22								17		
												15		13			10												
SALEABLE	NOT APPLICABLE	34566-2983	9	A	BLACK			70	69					63	62	61			58	57	56	55	54	53					
						52	51		49				44	43	42	41					37	36			34				
						73					32		29	28	27	26								19	18	17			
											16	15		13	12	11	10							3	2	1			
SALEABLE	NOT APPLICABLE	34566-2993	9	B	ST GRAY	72	71	70		68	67	66			62	61	60	59	58	57	56	55	54	53					
						52	51	50		48	47	46			42	41	40	39	38	37	36	35	34	33					
						73					32	31	30	29	28	27	26	25	24										
											16	15	14	13			10	9	8										
SALEABLE	NOT APPLICABLE	34566-3013	9	C	BLUE	72	71	70	69	68	67	66			63	62		59		57	56	55		53					
						52	51				46		44		42		40	39	38						34	33			
						73					32		30			26	25			22	21			19	18				
											15	14				10	9			6	5	4	3						
SALEABLE	NOT APPLICABLE	34566-3023	0	G	BLUE		79			76				71			68	66						61					
							59			56			53					30	29	28			44	43	42	41			
							39			36	35	34												23	22	21			
							19			16	15	14	13	12	11					7				4					
SALEABLE	NOT APPLICABLE	34566-3033	0	H	ST GRAY	80		78	77	76	75				70				66	65		63							
						60		58	57	56	55				51	50				46	45	44	43						
						40	39		37	36	35	34		32	31	30		28		26		24	23	22					
						20	19	18	17	16				13	12					6	5	4	3	2	1				
SALEABLE	NOT APPLICABLE	34566-3043	0	C	BLUE	72	71	70		68		66			63	62		59		57					53				
						52	51			48	47	46		44		42		40	39						34	33			
						73					32		30			27	26	25			22	21	20						
											15	14	13				10	9			6	5	4						
SALEABLE	NOT APPLICABLE	34566-3053	0	C	BLUE	72		70		68		66			63	62		59		57					53				
						52	51			48	47	46		44		42		40	39	38					34	33			
						73					32		30			27	26	25			22	21	20						
											15	14	13				10	9			6	5	4						

MX123 52/66/73/80-WAY RECEPTACLE ASSY SEALED PIN OUT SHEET

STATUS	GM PART #	HRNS CONN ASSY			TPA	GROMMET CAP																						
		MATERIAL/PART	WIRE DRESS OPTION	KEY OPTION Fp	COLOR OPTION Fp	NUMBERS INDICATE CAVITIES OPEN FOR CIRCUITS																						
		NUMBER				Fp																						
SALEABLE	NOT APPLICABLE	34566-3063	0	A	BLACK	52	71	69				65	64	63			60		58	57	56	55	54	53				
							51	49				45	44	43	42	41						37	36	35	34	33		
						73			32	30			28		26										19	18		
SALEABLE	NOT APPLICABLE	34566-3073	0	A	BLACK	52	71	69				65	64	63			60			57	56	55	54	53				
							51	49				45	44	43	42	41						37	36	35	34	33		
						73			32	30			28		26			23							19	18		
SALEABLE	NOT APPLICABLE	34566-3083	0	A	BLACK	52	71	69				65	64	63			60		58	57	56	55	54	53				
							51	49				45	44	43	42	41							37	36	35	34	33	
						73			32	30			28		26										19	18		
SALEABLE	NOT APPLICABLE	34566-3093	0	A	BLACK	52	71	69				65	64	63			60			57	56	55	54	53				
							51	49				45	44	43	42	41							37	36	35	34	33	
						73			32	30			28		26			23							19	18		
SALEABLE	NOT APPLICABLE	34566-3113	0	A	BLACK	52	71	69				65	64	63			60			57	56	55	54	53				
							51	49				45	44	43	42	41							37	36	35	34	33	
						73			32	30			28		26			23			21				19	18		
SALEABLE	NOT APPLICABLE	34566-3123	0	B	ST GRV	72		70				66					60	59					55	54	53			
						52		50				48	46				40	39							35	34	33	
						73			32	31	30	29	28	27	26	25	24											
SALEABLE	NOT APPLICABLE	34566-3133	0	C	BLUE	72		70				66			63	62			59		57				53			
						52	51					48	47	46		44		42		40	39					34	33	
						73			32		30				26	25			22	21	20							
SALEABLE	NOT APPLICABLE	34566-3143	0	C	BLUE	72		70				66			63	62			59		57				53			
						52	51					46		44		42		40	39							34	33	
						73			32		30				26	25			22	21								
SALEABLE	NOT APPLICABLE	34566-3153	0	A	BLACK	52		70	69						63				58			56		54				
							51	49				47			44	43	42	41						36		34		
						73			32				28		26										19	18		
SALEABLE	NOT APPLICABLE	34566-3163	0	C	BLUE	72		70							63	62			59		57	56	55		53			
						52	51					46		44		42		40	39					37	36		34	33
						73			32		30				26	25			22	21					19	18		
SALEABLE	NOT APPLICABLE	34566-3173	0	A	BLACK	52		70	69						63				58			56		54				
							51	49				47			44	43	42	41						36		34		
						73			32				28		26										19	18	17	
SALEABLE	NOT APPLICABLE	34566-3183	0	C	BLUE	72		70				66			63	62			59		57	56	55		53			
						52	51					46		44		42		40	39							34	33	
						73			32		30				26	25			22	21								
SALEABLE	NOT APPLICABLE	34566-3193	0	A	BLACK	52		69							63				58			56	55	54	53			
							51	49						44	43	42	41							36	35	34	33	
						73			32				28		26										19	18	17	
SALEABLE	NOT APPLICABLE	34566-3213	0	C	BLUE	72		70				67	66			63	62			59		56			53			
						52	51					46		44		42		40	39							34	33	
						73			32		30				26	25			22	21								
SALEABLE	NOT APPLICABLE	34566-3223	0	C	BLUE	72		70				67	66			63	62			59		57			53			
						52	51					46		44		42		40	39							34	33	
						73			32		30			27	26	25			22	21								


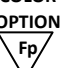

MX123 52/66/73/80-WAY RECEPTACLE ASSY SEALED PIN OUT SHEET

STATUS	GM PART #	HRNS CONN ASSY			TPA	GROMMET CAP																														
		MATERIAL/PART	WIRE DRESS OPTION	KEY OPTION Fp	COLOR OPTION Fp	NUMBERS INDICATE CAVITIES OPEN FOR CIRCUITS																														
		NUMBER				Fp																														
SALEABLE	NOT APPLICABLE	34566-3233	0	A	BLACK	70	69									63	62	61					58	57	56	55	54	53								
						52	51		49					44	43	42	41											36		19	18					
						73				32				29	28	27	26														3					
SALEABLE	NOT APPLICABLE	34566-3243	0	C	BLUE	72		70							66								59		57				53							
						52	51							46		44			42					40	39					34	33					
						73				32		30					26	25							22	21										
SALEABLE	NOT APPLICABLE	34566-3253	0	A	BLACK	70	69																						53							
						52	51		49					44	43	42	41												36		34					
						73				32						28		26													19	18				
SALEABLE	NOT APPLICABLE	34566-3263	0	C	BLUE	72		70							66								59		57	56	55	54	53							
						52	51							46		44			42					40	39					34	33					
						73				32		30					26	25							22	21					19	18				
SALEABLE	NOT APPLICABLE	34566-3273	0	A	BLACK	70	69																						53							
						52	51		49					44	43	42	41													36		34				
						73				32						28		26													19	18				
SALEABLE	NOT APPLICABLE	34566-3283	0	C	BLUE	72		70							66								59		57	56	55	54	53							
						52	51							46		44			42					40	39					34	33					
						73				32		30					26	25							22	21					19	18				
SALEABLE	NOT APPLICABLE	34566-3293	0	B	ST GRY	72	71	70							68	67	66						62	61	60	59	58	57	56	55	54	53				
						52	51	50						48	47									42	41	40	39	38	37	36	35	34	33			
						73				32	31	30	29	28	27	26	25	24	23																	
SALEABLE	NOT APPLICABLE	34566-3313	0	C	BLUE	72		70																						53						
						52	51							46		44			42					40	39						34	33				
						73				32		30					26	25							22	21										
SALEABLE	NOT APPLICABLE	34566-3323	0	B	ST GRY										68	67	66	65	64	63										53						
									49					48		46	45	44	43																	
						73				32		30	29	28	27											22							17			
SALEABLE	NOT APPLICABLE	34566-3333	0	A	BLACK	72	71	70	69						68																53					
						52	51	50	49						47										42	41					38	37	36		34	33
						73				32	31	30	29	28	27	26			24	23											20	19	18	17		
SALEABLE	NOT APPLICABLE	34566-3343	0	A	BLACK	72									67	66	65														53					
									49					47			44	43	42					40						37	36	35		33		
						73				32		30	29	28			26		24											21	20			17		
SALEABLE	NOT APPLICABLE	34566-3353	0	B	ST GRY										68	67															53					
														46	45																					
						73				32		30	29	28	27											23	22							17		
SALEABLE	NOT APPLICABLE	34566-3363	0	A	BLACK																										53					
							71		69					68																						
						52		50	49						47										42	41	40	39	38	37	36		34	33		
SALEABLE	NOT APPLICABLE	34566-3373	9	C	BLUE	72		70							68	67	66														53					
						52	51							48	47	46			44					42		40	39	38				34	33			
						73				32		30					26	25													22	21		19	18	
SALEABLE	NOT APPLICABLE	34566-3383	0	A	BLACK										68																53					
						52		50	49					48	47									42	41						38	37	36		34	33
						73				32	31	30	29	28	27	26			24	23											20	19	18		1	

MX123 52/66/73/80-WAY RECEPTACLE ASSY SEALED PIN OUT SHEET


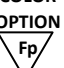

STATUS	GM PART #	HRNS CONN ASSY			TPA	GROMMET CAP																								
		MATERIAL/PART	WIRE DRESS OPTION	KEY OPTION Fp	COLOR OPTION Fp	NUMBERS INDICATE CAVITIES OPEN FOR CIRCUITS Fp																								
		NUMBER																												
SALEABLE	NOT APPLICABLE	34566-3393	0	C	BLUE	72	52	70		68	67	66			63	62			59		57						53			
							51			48	47	46		44		42		40	39					34	33					
						73			32		30				26	25			22	21										
						73				15	14				10	9			6	5	4									
SALEABLE	NOT APPLICABLE	34566-3413	0	A	BLACK	72	52	70			67	66	65				61			58	57			55	54					
								50	49		47		45	44	43	42	41		39		37		35							
						73			32		30				27	26	25	24			21	20	19	18	17					
						73			16	15		13			11	10	9	8			6	5								
SALEABLE	NOT APPLICABLE	34566-3423	9	C	BLUE				69						63					58			56	55	54	53				
						52	51		49					44	43	42	41									36	35	34	33	
						73			32					28		26								19	18	17				
						73			16					12		10								3	2	1				
SALEABLE	NOT APPLICABLE	34566-3433	9	C	BLUE	72	52	70				66			63	62			59		57	56	55	54	53					
							51					46		44		42		40	39							34	33			
						73					30				26	25			22	21										
						73				15	14				10	9			6											
SALEABLE	NOT APPLICABLE	34566-3443	0	A	BLACK			71		69				65	64	63			60			57	56	55	54	53				
						52	51		49				45	44	43	42	41					37	36	35	34	33				
						73			32			30			28		26			23					19	18				
						73			16					12		10									3					
SALEABLE	NOT APPLICABLE	34566-3453	0	A	BLACK																									
						73																								
						73												9			5								1	
						73																							61	
SALEABLE	NOT APPLICABLE	34566-3463	9	H	ST GRV																									
						73																								
						73												9			5								1	
						73																							61	
SALEABLE	NOT APPLICABLE	34566-3473	9	B	ST GRV	72	71	70	69	68	67	66	65	64		62	61	60	59	58	57	56	55	54						
						52	51	50	49			46		44				40		38	37	36								
						73			32	31	30	29	28	27		25	24			21	20		18	17						
						73			16	15	14	13	12		10	9		7	6	5	4	3	2							
SALEABLE	NOT APPLICABLE	34566-3483	0	B	ST GRV	72	71	70	69	68	67	66	65			61	60			57	56	55	54							
						52	51	50	49	48		46		44				40		38	37	36								
						73			32	31	30	29	28	27			24			21	20	19	18	17						
						73			16	15	14	13	12	11	10	9		7	6	5	4		2							
SALEABLE	NOT APPLICABLE	34566-3493	0	A	BLACK	72	52	70			67	66	65				61			58	57			55	54					
									49		47		45	44	43	42	41		39		37		35							
						73			32		30				27	26	25	24			21	20	19	18	17					
						73			16	15		13			11	10	9	8			6	5	4	3	2					
SALEABLE	NOT APPLICABLE	34566-3513	0	A	BLACK			70	69						63	62	61	60			58	57	56	55	54	53				
						52	51		49					44	43	42	41					37	36							
						73			32			29	28	27	26										19	18				
						73			16	15		13	12	11	10										3					
SALEABLE	NOT APPLICABLE	34566-3523	0	A	BLACK	72	52	70				66			63	62						56	55	54						
									49					43	42											36	35	34		
						73				31		28				26					21	20	19	18						
						73			16	15			12		10	9				5							2	1		
SALEABLE	NOT APPLICABLE	34566-3533	9	A	BLACK				69						63					58			56	55	54	53				
						52	51		49					44	43	42	41									36	35	34	33	
						73			32				28		26											19	18	17		
						73			16					12		10										3	2	1		
SALEABLE	NOT APPLICABLE	34566-3543	9	A	BLACK	72	52	70				66			63	62			59		57	56	55	54	53					
							51					46		44		42		40	39											
						73					30				26	25			22	21									34	33
						73				15	14				10	9			6											
SALEABLE	NOT APPLICABLE	34566-3553	9	C	BLUE	72	71	70	69	68	67	66	65		63	62	61		59	58	57	56	55	54	53					
							51	50	49	48		46	45	44	43	42	41	40	39	38			36	35	34	33				
						73					31	30	29	28	27	26	25			22	21					19	18	17		
						73			16	15	14				11	10	9		7	6	5					3	2	1		

MX123 52/66/73/80-WAY RECEPTACLE ASSY SEALED PIN OUT SHEET

STATUS	GM PART #	HRNS CONN ASSY			TPA	GROMMET CAP																								
		MATERIAL/PART	WIRE DRESS OPTION	KEY OPTION 		COLOR OPTION 	NUMBERS INDICATE CAVITIES OPEN FOR CIRCUITS																							
		NUMBER																												
SALEABLE	NOT APPLICABLE	34566-3563	9	C	BLUE	72		70		68	67	66			63	62			59		57						53			
						52	51			48	47	46		44		42		40	39	38									34	33
						73				32			30			27	26	25				22	21							
SALEABLE	NOT APPLICABLE	34566-3573	9	C	BLUE			70	69	68					63	62	61			58	57	56	55	54	53					
						52	51	50	49	48	47			44	43	42	41				37	36						34		
						73				32				29	28	27	26												19	18
SALEABLE	NOT APPLICABLE	34566-3583	9	A	BLACK			70	69						63	62	61			58	57	56	55	54	53					
						52	51	50	49					44	43	42	41				37	36						34		
						73				32				29	28	27	26												19	18
SALEABLE	NOT APPLICABLE	34566-3593	0	A	BLACK		71		69					64	63			60			58	57	56	55	54	53				
						52	51		49					45	44	43	42	41				37	36	35	34	33				
						73				32			30			28		26											19	18
SALEABLE	NOT APPLICABLE	34566-3613	0	B	ST GRAY					68	67			64	63															
												46	45																	
						73				32			30	29	28	27														
SALEABLE	NOT APPLICABLE	34566-3623	0	A	BLACK	72		70	69						63	62	61	60	59	58	57	56	55	54	53					
						52	51		49					44	43	42	41				37	36						34		
						73				32				29	28	27	26											19	18	
SALEABLE	NOT APPLICABLE	34566-3633	0	C	BLUE	72		70		68	67	66			63	62			59		57						53			
						52	51			48	47	46		44				40	39	38	37	36						34	33	
						73				32			30				26	25	24	23	22	21								
SALEABLE	NOT APPLICABLE	34566-3643	0	B	ST GRAY		71	70		68	67	66		64	63															
						52	51	50		48	47	46																34	33	
						73				32	31	30	29	28	27	26	25	24											17	
SALEABLE	NOT APPLICABLE	34566-3653	0	B	ST GRAY		71	70	69	68		66	65	64	63															
						52	51	50	49	48	47	46	45	44	43													34	33	
						73				32			30	29	28	27	26	25	24										3	2
SALEABLE	NOT APPLICABLE	34566-3663	0	A	BLACK	72		70	69						63	62	61	60	59	58	57	56	55	54	53					
						52	51		49					44	43	42	41				37	36						34		
						73				32				29	28	27	26											19	18	
SALEABLE	NOT APPLICABLE	34566-3673	9	C	BLUE		71	70	69	68	67		65		63	62	61			59	58	57	56	55	54	53				
							51	50	49	48			45	44	43	42	41	40	39	38			36	35	34	33				
						73					31	30	29	28	27	26							22		20	19	18	17		
SALEABLE	NOT APPLICABLE	34566-3683	9	H	ST GRAY																									
						73																							61	
SALEABLE	NOT APPLICABLE	34566-3693	0	C	BLUE																									
						20																								
						73																								
SALEABLE	NOT APPLICABLE	34566-3713	0	C	BLUE	72		70		68	67	66			63	62			59		57					53				
						52	51			48	47	46		44		42		40	39									34	33	
						73				32			30			27	26	25				22	21							
SALEABLE	NOT APPLICABLE	34566-3723	0	A	BLACK			70	69						63	62	61			58	57	56	55	54	53					
						52	51	50	49					44	43	42	41				37	36						34		
						73				32				29	28	27	26											19	18	

MX123 52/66/73/80-WAY RECEPTACLE ASSY SEALED PIN OUT SHEET

STATUS	GM PART #	HRNS CONN ASSY			TPA	GROMMET CAP																				
		MATERIAL/PART	WIRE DRESS OPTION	KEY OPTION Fp	COLOR OPTION Fp	NUMBERS INDICATE CAVITIES OPEN FOR CIRCUITS																				
		NUMBER				Fp																				
SALEABLE	NOT APPLICABLE	34566-3733	0	B	ST GRAY	72	71	70		68	67	66				62	61	60	59	58	57	56	55	54	53	
						52	51	50		48	47	46				42	41	40	39	38	37	36	35	34	33	
						73				32	31	30	29	28	27	26	25	24	23							
SALEABLE	NOT APPLICABLE	34566-3743	0	C	BLUE	72		70		68		66			63	62			59		57			53		
						52	51			48	47	46		44		42		40	39	38					34	33
						73				32		30			27	26	25			22	21					
SALEABLE	NOT APPLICABLE	34566-3753	0	C	BLUE	72		70		68		66			63	62			59		57			53		
						52	51			48	47	46		44		42		40	39						34	33
						73				32		30			27	26	25			22	21					
SALEABLE	NOT APPLICABLE	34566-3763	0	C	BLUE	72		70		68		66			63	62			59		57	56	55	54	53	
						52	51			48	47	46		44		42		40	39						34	33
						73				32		30			27	26	25			22	21					
SALEABLE	NOT APPLICABLE	34566-3773	0	A	BLACK			70	69						63				58		56	55	54	53		
						52	51	50	49					44	43	42	41		39				36		34	
						73				32					28		26							19	18	
SALEABLE	NOT APPLICABLE	34566-3783	0	A	BLACK			70	69						63				58		56	55	54	53		
						52	51	50	49					44	43	42	41		39				36		34	
						73				32					28		26							19	18	17
SALEABLE	NOT APPLICABLE	34566-3793	0	A	BLACK		71	70						64	63			60		58	57	56	55	54	53	
						52	51		49				45	44	43	42	41				37	36			34	
						73				32		30			28		26		23		21		19	18		
SALEABLE	NOT APPLICABLE	34566-3813	0	C	BLUE	72		70		68		66			63	62			59		57			53		
						52	51			48	47	46		44		42		40	39	38	37	36			34	33
						73				32		30				26	25	24		22	21	20				
SALEABLE	NOT APPLICABLE	34566-3823	0	A	BLACK			70	69						63		61			58	57	56	55	54	53	
						52	51		49					44	43		41				37	36			34	
						73				32					27	26								19	18	
SALEABLE	NOT APPLICABLE	34566-3833	0	A	BLACK			70	69						63	62	61			57	56	55	54	53		
						52	51		49					44	43	42	41				37	36			34	
						73				32			29	28	27	26			23					19	18	
SALEABLE	NOT APPLICABLE	34566-3843	0	A	BLACK	72	71	70	69	68	67	66			64	63	62		60	59			55	54	53	
						52			49	48				44	43	42	41	40	39					35	34	33
						73				32			29	28	27		25	24	23					19	18	17
SALEABLE	NOT APPLICABLE	34566-3853	0	A	BLACK	72	71	70	69	68	67	66	65	64	63	62		60	59			55	54	53		
						52			49	48			45	44	43	42	41	40	39				35	34	33	
						73				32			29	28	27		25	24	23					19	18	17
SALEABLE	NOT APPLICABLE	34566-3863	0	B	ST GRAY										63				59	58	57	56	55	54	53	
						52	51	50		48	47	46				42	41	40	39	38	37	36	35	34	33	
						73				32	31	30	29	28	27	26	25	24								2
SALEABLE	NOT APPLICABLE	34566-3873	0	B	ST GRAY										63				59	58	57	56	55	54	53	
						52			49	48		46	45			43				39	38	37	36	35	34	
						73				32			29	28	27		25	24	23					7	6	5
SALEABLE	NOT APPLICABLE	34566-3883	0	B	ST GRAY						67	66						59	58	57	56	55	54	53		
						52			49	48			45						39	38	37	36	35	34	33	
						73				32			29						23	22	21					18

STATUS	GM PART #	HRNS CONN ASSY			TPA	GROMMET CAP																							
		MATERIAL/PART	WIRE DRESS OPTION	KEY OPTION 	COLOR OPTION 	NUMBERS INDICATE CAVITIES OPEN FOR CIRCUITS																							
		NUMBER																											
SALEABLE	NOT APPLICABLE	34566-3893	0	C	BLUE	72		70		68	67	66			63	62			59		57					53			
						52	51			48	47	46		44		42					22	21					34	33	
						73						32		30				27	26	25					6	5	4		
SALEABLE	NOT APPLICABLE	34566-3913	0	A	BLACK		71	70	69					64	63			60		58	57	56	55	54	53				
						52	51		49					45	44	43	42	41					37	36			34		
						73						32		30			28		26			23		21			19	18	
SALEABLE	NOT APPLICABLE	34566-3923	0	B	ST GRY	72		70		68		66						60	59						55	54	53		
						52		50		48		46							40	39							35	34	33
						73						32	31	30	29	28	27	26	25	24	23							19	18
SALEABLE	NOT APPLICABLE	34566-3933	0	A	BLACK		71	70	69					64	63			60		58	57	56	55	54	53				
						52	51		49					45	44	43	42	41					37	36			34		
						73						32		30			28		26								19	18	
SALEABLE	NOT APPLICABLE	34566-3943	0	C	BLUE	72		70		68		66						60	59						55	54	53		
						52		50		48		46							40	39							35	34	33
						73						32	31	30	29	28	27	26	25	24									
SALEABLE	NOT APPLICABLE	34566-3953	0	C	BLUE	72		70		68		66				63	62			59		57				53			
						52	51			48	47	46		44		42		40	39								34	33	
						73						32		30				26	25			23	22	21	20				
SALEABLE	NOT APPLICABLE	34566-3963	0	C	BLUE	72		70		68	67	66			63	62			59		57				53				
						52	51			48	47	46		44		42		40	39	38						34	33		
						73						32		30				26	25			22	21						
SALEABLE	NOT APPLICABLE	34566-3973	0	C	BLUE	72		70		68	67					63	62			59		57			53				
						52	51			48	47	46		44		42		40	39	38						34	33		
						73						32		30				26	25			22	21						
SALEABLE	NOT APPLICABLE	34566-3983	0	A	BLACK		71	70	69					64	63			60	59	58	57	56	55	54	53				
						52	51		49					45	44	43	42	41	40				37	36			34		
						73						32		30			28		26								19	18	
SALEABLE	NOT APPLICABLE	34566-3993	0	A	BLACK			70	69					64	63	62	61	60		58	57	56	55	54	53				
						52	51		49					44	43	42	41	40					37	36			34		
						73						32			29	28	27	26									19	18	
SALEABLE	NOT APPLICABLE	34566-4013	0	B	ST GRY	72		70		68		66						60	59						55	54	53		
						52		50		48		46							40	39							35	34	33
						73						32	31	30	29	28	27	26	25	24									17
SALEABLE	NOT APPLICABLE	34566-4023	0	B	ST GRY	72	71	70		68	67	66				62	61	60	59	58	57	56	55	54	53				
						52	51	50		48	47	46				42	41	40	39	38	37	36	35	34	33				
						73						32	31	30	29	28	27	26	25	24									
SALEABLE	NOT APPLICABLE	34566-4033	0	C	BLUE	72		70		68						63	62			59	58	57			53				
						52	51			48	47			44		42		40	39	38						34	33		
						73						32		30				26	25			22	21	20				17	
SALEABLE	NOT APPLICABLE	34566-4043	0	A	BLACK		71	70	69					64	63			60		58	57	56	55	54	53				
						52	51		49					45	44	43	42	41	40					37	36			34	
						73						32		30			28		26			23					19	18	
SALEABLE	NOT APPLICABLE	34566-4053	0	A	BLACK	72			69		67	66	65		63			60			57	56				53			
									49		47	46		44	43	42		40				37	36	35			33		
						73						32		30	29	28	27	26		24			21	20				17	



MX123 52/66/73/80-WAY RECEPTACLE ASSY SEALED PIN OUT SHEET

Table with columns: STATUS, GM PART #, HRNS CONN ASSY (MATERIAL/PART NUMBER, WIRE DRESS OPTION, KEY OPTION Fp), TPA (COLOR OPTION Fp), and GROMMET CAP (NUMBERS INDICATE CAVITIES OPEN FOR CIRCUITS). Rows include part numbers like 34566-4063, 34566-4073, 34566-4083, etc., with associated pin configurations.



MX123 52/66/73/80-WAY RECEPTACLE ASSY SEALED PIN OUT SHEET

STATUS	GM PART #	HRNS CONN ASSY			TPA	GROMMET CAP																							
		MATERIAL/PART	WIRE DRESS OPTION	KEY OPTION Fp	COLOR OPTION Fp	NUMBERS INDICATE CAVITIES OPEN FOR CIRCUITS																							
		NUMBER				Fp																							
SALEABLE	NOT APPLICABLE	34566-4393	0	G	BLUE			78	77		75	74		72		70	69		67		65	64	63	62					
						60		58	57		55	54		52	51	50	49		47		45								
						40		38	37					33	32	31				27	26	25	24						
						20		18	17										10	9	8		6	5			3	2	1
SALEABLE	NOT APPLICABLE	34566-4413	0	B	ST GRAY										63			59	58	57	56	55		53					
								50	49	48		46		43			39	38	37	36	35	34	33						
						73							29		27				23	22	21					18			
											16	15	14								7	6	5	4	3				
SALEABLE	NOT APPLICABLE	34566-4423	9	C	BLUE	72		70		68	67	66			63	62			59		57				53				
						52	51			48	47	46		44		42		40	39	38	37	36			34	33			
						73								32		30			27	26	25	24		22	21				
												15	14					10	9	8		6	5	4			2		
SALEABLE	NOT APPLICABLE	34566-4433	9	A	BLACK			70	69						63	62	61	60		58	57	56	55	54	53				
						52	51	50	49					44	43	42	41	40			37	36			34	33			
						73								32			29	28	27	26							19	18	
											16	15	14	13	12	11	10										3		
SALEABLE	NOT APPLICABLE	34566-4443	9	A	BLACK						67	66																	
										48	47						41												
						73								32	31	30	29		27	26	25			22	21		19	18	17
											16	15	14	13															
SALEABLE	NOT APPLICABLE	34566-4453	0	A	BLACK	72	71	70	69						63	62	61	60	59	58	57	56	55	54	53				
						52	51	50	49	48		46	45	44	43	42		40	39	38	37	36	35	34	33				
						73											28				24	23					20		
															12	11												2	1
SALEABLE	NOT APPLICABLE	34566-4463	9	B	ST GRAY									63										53					
										48	47		45		43	42			39						35	34	33		
						73												11										1	
SALEABLE	NOT APPLICABLE	34566-4473	0	B	ST GRAY								64	63	62			59	58					53					
												47		45		43	42			39						35	34	33	
						73													26	25		23	22						
																												3	1
SALEABLE	NOT APPLICABLE	34566-4483	9	C	BLUE	72		70		68	67	66			63	62			59	58	57	56	55		53				
						52	51		49	48	47	46		44			40	39	38	37	36				34	33			
						73								32		30			27	26	25	24	23	22	21	20	19	18	17
												15	14	13				10	9	8	7	6	5	4	3	2	1		
SALEABLE	NOT APPLICABLE	34566-4493	9	A	BLACK	72	71	70	69				64	63	62	61	60	59	58	57	56	55	54	53					
						52	51	50	49	48	47		45	44	43	42	41	40	39		37	36			34				
						73								32		30	29	28	27	26		24	23		21		19	18	17
											16	15	14	13	12	11	10				8			5			3	2	1
SALEABLE	NOT APPLICABLE	34566-4513	9	B	ST GRAY	72	71	70		68	67	66				62	61	60	59	58	57	56	55	54	53				
						52	51	50		48	47	46				42	41	40	39	38	37	36	35	34	33				
						73								32	31	30	29	28	27	26	25	24	23				19	18	17
											16	15	14	13				10		8	7						3	2	1
SALEABLE	NOT APPLICABLE	34566-4523	0	G	BLUE			78	77		75	74		72		70	69		67		65	64	63	62					
						60		58	57		55	54		52	51	50	49		47		45								
						40		38	37						33	32	31				27	26	25	24					
						20		18	17										10	9	8		6	5			3	2	1
SALEABLE	NOT APPLICABLE	34566-4533	0	A	BLACK	72			69		67		65		63			60			57	56			53				
									49		47			44	43			40			37	36	35			33			
						73								31	30	29	28			24			21	20				17	
											16	15	14	13				11	10					5	4	3	2	1	
SALEABLE	NOT APPLICABLE	34566-4543	0	B	ST GRAY					68	67			64	63				58	57			55		53				
												46	45		43					38	37				35				
						73								32		30	29	28	27				22	21			19		17
															12				10										
SALEABLE	NOT APPLICABLE	34566-4553	0	B	ST GRAY					68	67			64	63				58	57					53				
												46	45		43					38	37								
						73								32		30	29	28	27				22	21				17	
																		12		10									

STATUS	GM PART #	HRNS CONN ASSY			TPA	GROMMET CAP																																
		MATERIAL/PART	WIRE DRESS OPTION	KEY OPTION Fp	COLOR OPTION Fp	NUMBERS INDICATE CAVITIES OPEN FOR CIRCUITS																																
		NUMBER				Fp																																
SALEABLE	NOT APPLICABLE	34566-4563	0	B	ST GRAY							68	67											58							55				53			
						73													32				46	45		64	63											
SALEABLE	NOT APPLICABLE	34566-4573	0	B	ST GRAY							68	67																									
						73																																
SALEABLE	NOT APPLICABLE	34566-4583	0	B	ST GRAY							68	67																									
						73																																
SALEABLE	NOT APPLICABLE	34566-4593	0	B	ST GRAY							68	67																									
						73																																
SALEABLE	NOT APPLICABLE	34566-4613	0	A	BLACK																																	
						73																																
SALEABLE	NOT APPLICABLE	34566-4623	0	B	ST GRAY																																	
						73																																
SALEABLE	NOT APPLICABLE	34566-4633	0	A	BLACK																																	
						73																																
SALEABLE	NOT APPLICABLE	34566-4643	0	B	ST GRAY																																	
						73																																
SALEABLE	NOT APPLICABLE	34566-4653	0	A	BLACK																																	
						73																																
SALEABLE	NOT APPLICABLE	34566-4663	0	A	BLACK																																	
						73																																
SALEABLE	NOT APPLICABLE	34566-4673	0	A	BLACK																																	
						73																																
SALEABLE	NOT APPLICABLE	34566-4683	9	B	ST GRAY																																	
						73																																
SALEABLE	NOT APPLICABLE	34566-4693	0	B	ST GRAY																																	
						73																																
SALEABLE	NOT APPLICABLE	34566-4713	0	A	BLACK																																	
						73																																
SALEABLE	NOT APPLICABLE	34566-4723	0	A	BLACK																																	
						73																																

MX123 52/66/73/80-WAY RECEPTACLE ASSY SEALED PIN OUT SHEET

STATUS	GM PART #	HRNS CONN ASSY			TPA	GROMMET CAP																						
		MATERIAL/PART	WIRE DRESS OPTION	KEY OPTION Fp	COLOR OPTION Fp	NUMBERS INDICATE CAVITIES OPEN FOR CIRCUITS																						
		NUMBER				Fp																						
SALEABLE	NOT APPLICABLE	34566-4733	0	A	BLACK	72	71	70	69					64	63			60	59	58		56	55	54	53			
						52	51		49		47		45	44	43	42	41						21		36		19	18
						73				32		30		28		26								5				3
SALEABLE	NOT APPLICABLE	34566-4743	9	A	BLACK	72	71	70	69		67		65	64	63	62	61	60	59	58	57	56	55	54	53			
						52	51	50	49	48	47		45	44	43	42	41	40	39			37	36			34		
						73				32		30	29	28	27	26		24	23				21				19	18
SALEABLE	NOT APPLICABLE	34566-4753	0	B	ST GRAY					68	67			64						58								
											46	45										38						
						73				32		30	29	28	27							22						17
SALEABLE	NOT APPLICABLE	34566-4763	0	B	ST GRAY					68	67			64														
											46	45																
						73				32		30	29	28	27													17
SALEABLE	NOT APPLICABLE	34566-4773	0	B	ST GRAY					68	67			64				59	58					54				
											46	45									39	38						
						73				32		30	29	28	27					23	22							17
SALEABLE	NOT APPLICABLE	34566-4783	0	B	ST GRAY					68	67			64	63					58				55				
											46	45			43							38				35		
						73				32		30	29	28	27							22				19		17
SALEABLE	NOT APPLICABLE	34566-4793	0	B	ST GRAY					68	67			64	63					58								
											46	45			43							38						
						73				32		30	29	28	27							22						17
SALEABLE	NOT APPLICABLE	34566-4813	9	B	ST GRAY					68	67			64				59	58					54				
											46	45									39	38						
						73				32		30	29	28	27					23	22							17
SALEABLE	NOT APPLICABLE	34566-4823	0	C	BLUE					68	67	66	65	64					59	58	57			55	54	53		
							51	50	49	48		46	45		43	42	41	40	39	38	37			35			33	
						73				32	31	30				26		24	23	22				20				
SALEABLE	NOT APPLICABLE	34566-4833	0	C	BLUE	72			70		68	67	66			63	62			59		57			53			
						52	51			48	47	46		44		42		40	39			37	36			34	33	
						73				32		30			27	26	25	24			22	21						
SALEABLE	NOT APPLICABLE	34566-4843	0	C	BLUE	72			70		68	67	66			63	62			59		57			53			
						52	51			48	47	46		44		42		40	39	38	37	36				34	33	
						73				32		30			27	26	25	24			22	21						
SALEABLE	NOT APPLICABLE	34566-4853	0	C	BLUE	72			70		68		66			63	62			59		57	56	55		53		
						52	51			48	47	46		44		42		40	39			37	36			34	33	
						73				32		30			27	26	25	24			22	21			19	18		
SALEABLE	NOT APPLICABLE	34566-4863	0	C	BLUE	72			70		68		66			63	62			59		57			53			
						52	51			48	47	46		44		42		40	39	38	37	36				34	33	
						73				32		30			27	26	25	24			22	21						
SALEABLE	NOT APPLICABLE	34566-4873	0	C	BLUE	72			70		68		66			63	62			59		57			53			
						52	51			48	47	46		44		42		40	39			37	36			34	33	
						73				32		30			27	26	25	24			22	21						
SALEABLE	NOT APPLICABLE	34566-4883	9	A	BLACK	72				69		67		65		63			60		57	56			53			
									49		47	46		44	43			40			37	36	35				33	
						73				32		30	29	28				24			21	20						17

MX123 52/66/73/80-WAY RECEPTACLE ASSY SEALED PIN OUT SHEET

STATUS	GM PART #	HRNS CONN ASSY			TPA	GROMMET CAP																						
		MATERIAL/PART	WIRE DRESS OPTION	KEY OPTION Fp	COLOR OPTION Fp	NUMBERS INDICATE CAVITIES OPEN FOR CIRCUITS																						
		NUMBER				Fp																						
SALEABLE	NOT APPLICABLE	34566-4893	9	B	ST GR					68	67			64	63					58			55					
SALEABLE	NOT APPLICABLE	34566-4913	9	B	ST GR					68	67			64	63					58	57		55		53			
SALEABLE	NOT APPLICABLE	34566-4923	9	A	BLACK	72			69		67			65		63		60		57	56			53				
									49		47			44	43		40		37	36	35						33	
SALEABLE	NOT APPLICABLE	34566-4933	0	C	BLUE	72			70		68	67	66		63	62		60		59	57			53				
						52	51				48	47	46		44		40	39		37	36	35	34	33				
SALEABLE	NOT APPLICABLE	34566-4943	0	A	BLACK			70	69		68	67			63	62	61	60	59	58	57	56	55	54	53			
						52	51	50	49					44	43	42	41		39	38	37	36			34			
SALEABLE	NOT APPLICABLE	34566-4953	0	B	ST GR	72	71	70	69		68	67	66	65	64	63				59				53				
						52	51	50	49		48	47	46	45	44	43				39					34	33		
SALEABLE	NOT APPLICABLE	34566-4963	9	A	BLACK	72			69		67	66	65		63		60		57	56			53					
									49		47	46		44	43	42	40		37	36	35					33		
SALEABLE	NOT APPLICABLE	34566-4973	9	B	ST GR					68	67			64				59	58			54						
SALEABLE	NOT APPLICABLE	34566-4983	0	B	ST GR	72		70		68		66				60	59			55	54	53						
						52		50		48		46		44		40	39			35	34	33						
SALEABLE	NOT APPLICABLE	34566-4993	0	A	BLACK	72	71	70	69		67			64	63		60	59			56	55	54	53				
						52	51		49		47		45	44	43	42	41				36		34					
SALEABLE	NOT APPLICABLE	34566-5013	9	B	ST GR					68	67			64	63			59	58			55	54					
SALEABLE	NOT APPLICABLE	34566-5023	0	C	BLUE	72		70		68	67			63	62		59		57				53					
						52	51			48	47	46		44		40	39		37	36			34	33				
SALEABLE	NOT APPLICABLE	34566-5033	0	A	BLACK			70	69					63	62	61	60		58	57	56	55	54	53				
						52	51		49					44	43	42	41				37	36	35	34	33			
SALEABLE	NOT APPLICABLE	34566-5043	0	A	BLACK																							
SALEABLE	NOT APPLICABLE	34566-5053	0	B	ST GR							47																

MX123 52/66/73/80-WAY RECEPTACLE ASSY SEALED PIN OUT SHEET

STATUS	GM PART #	HRNS CONN ASSY			TPA	GROMMET CAP																						
		MATERIAL/PART	WIRE DRESS OPTION	KEY OPTION Fp	COLOR OPTION Fp	NUMBERS INDICATE CAVITIES OPEN FOR CIRCUITS																						
		NUMBER				Fp																						
SALEABLE	NOT APPLICABLE	34566-5063	9	H	ST GRAY	80	79	78	77	76	75	74	73	72	71	70	69	68	67	66	65	64	63	62	61			
						60	59	58	57	56	55	54	53	52	51	50	49	48	47	46	45	44	43	42	41			
						40	39	38	37		35	34	33	32		30	29		27	26		24	23	22	21			
						20	19	18	17			14	13	12	11	10	9	8		6	5				3	2		
SALEABLE	NOT APPLICABLE	34566-5073	9	A	BLACK	72	71	70	69	68	67	66	65	64	63	62	61	60	59	58	57	56	55	54	53			
						52	51	50	49	48	47	46	45	44	43	42	41	40	39	38	37	36		34	33			
						73				32	31	30	29	28	27	26		24	23	22	21	20	19	18				
						73				16				13	12	11	10	9	8									1
SALEABLE	NOT APPLICABLE	34566-5083	9	A	BLACK			70	69						63	62	61	60		58	57	56	55	54	53			
						52	51		49				44	43	42	41			38	37					34			
						73				32				29	28	27	26			23						19	18	
						73				16	15			13	12	11	10		8							3		
SALEABLE	NOT APPLICABLE	34566-5093	0	B	ST GRAY	72	71	70	69	68	67	66	65	64	63	62	61	60	59	58	57	56	55	54	53			
						52	51	50	49	48	47	46	45	44	43	42	41	40	39	38	37	36	35	34	33			
						73								29		27				23	22	21					18	
						73				16	15	14	13							8	7	6	5	4	3			
SALEABLE	NOT APPLICABLE	34566-5113	0	A	BLACK	72	71	70	69	68	67	66		64	63	62		60	59				55	54	53			
						52			49	48				44	43	42	41	40	39					35	34	33		
						73				32				29		27		25	24	23						19	18	17
						73				16				13	12	11		9	8	7	6	5	4	3	2	1		
SALEABLE	NOT APPLICABLE	34566-5123	9	C	BLUE	72		70		68	67	66			63	62			59		57			53				
						52	51			48	47	46	45	44				40	39	38	37	36			34	33		
						73				32		30				27	26	25	24		22	21	20					
						73					15	14					10	9	8		6	5	4			2		
SALEABLE	NOT APPLICABLE	34566-5133	9	B	ST GRAY	72	71	70		68	67	66				62	61	60	59	58	57	56	55	54	53			
						52	51	50		48	47	46				42	41	40	39	38	37	36	35	34	33			
						73				32	31	30	29	28	27	26	25	24	23									
						73				16	15	14	13					10	9	8								
SALEABLE	NOT APPLICABLE	34566-5143	0	C	BLUE	72		70		68	67	66			63	62			59		57			53				
						52	51			48	47	46		44		42		40	39		37	36			34	33		
						73				32		30				26	25	24		22	21	20						
						73					15	14					10	9	8		6	5	4			2		
SALEABLE	NOT APPLICABLE	34566-5153	0	A	BLACK			70	69						63	62	61	60		58	57	56	55	54	53			
						52	51		49		47			44	43	42	41			37	36	35	34	33				
						73				32				29	28	27	26	25							19	18		
						73				16	15			13	12	11	10									3		
SALEABLE	NOT APPLICABLE	34566-5163	9	A	BLACK	72			69		67		65		63			60			57	56			53			
									49		47			44	43			40			37	36	35			33		
						73					31	30	29	28				24			21	20					17	
						73				16	15	14				11	10				5	4	3	2	1			
SALEABLE	NOT APPLICABLE	34566-5173	9	B	ST GRAY					68	67			64	63			59		57								
												46	45		43			39		37								
						73				32		30	29	28	27						21							
						73											10				6	5	4	3				
SALEABLE	NOT APPLICABLE	34566-5183	0	B	ST GRAY					68	67			64				59	58				54					
												46	45	44				39	38									
						73				32		30	29	28	27					23	22						17	
						73									12		10		8									1
SALEABLE	NOT APPLICABLE	34566-5193	0	A	BLACK			70	69						63	62	61	60		58	57	56	55	54	53			
						52	51		49				44	43	42	41				37	36			34				
						73				32				29	28	27	26								19	18	17	
						73				16	15			13	12	11	10									3	2	1
SALEABLE	NOT APPLICABLE	34566-5213	0	A	BLACK	72	71	70	69	68	67	66	65	64	63	62	61	60	59				55	54	53			
						52			49	48				44	43	42	41	40	39					35	34	33		
						73				32				29		27		25	24	23					19	18	17	
						73				16				13	12	11		9	8	7	6	5	4	3	2	1		
SALEABLE	NOT APPLICABLE	34566-5223	0	C	BLUE	72		70			67	66			63	62			59		57			53				
						52	51			48		46		44		42		40	39						34	33		
						73				32		30				27	26	25		22	21							
						73					15	14					10	9			6	5	4					

MX123 52/66/73/80-WAY RECEPTACLE ASSY SEALED PIN OUT SHEET

STATUS	GM PART #	HRNS CONN ASSY			TPA	GROMMET CAP																					
		MATERIAL/PART	WIRE DRESS OPTION	KEY OPTION Fp	COLOR OPTION Fp	NUMBERS INDICATE CAVITIES OPEN FOR CIRCUITS																					
		NUMBER				Fp																					
SALEABLE	NOT APPLICABLE	34566-5233	0	C	BLUE	72		70		68	67	66			63	62			59		57	56	55		53		
						52	51			48	47	46		44		42		40	39	38			22	21		19	18
						73						32		30				26	25				6	5	4	3	
SALEABLE	NOT APPLICABLE	34566-5243	0	C	BLUE	72	71	70	69	68	67	66	65		63	62	61		59	58	57	56	55	54	53		
							51	50	49	48		46	45	44	43	42	41	40	39	38			36	35	34	33	
						73						32	31	30	29	28	27	26	25			22	21	20	19	18	17
SALEABLE	NOT APPLICABLE	34566-5253	0	B	ST GRAY						67	66			63			59	58	57	56	55		53			
								50	49	48		46	45		43				39	38	37	36	35	34	33		
						73								29	27					23	22	21				18	
SALEABLE	NOT APPLICABLE	34566-5263	0	B	ST GRAY						67	66			63			59	58	57	56	55		53			
								50	49	48		46	45		43				39	38	37	36	35	34	33		
						73								29	27					23	22	21				18	
SALEABLE	NOT APPLICABLE	34566-5273	0	A	BLACK			70	69						63	62	61	60		58	57	56	55	54	53		
						52	51		49					44	43	42	41					37	36		34		
						73						32			29	28	27	26			23					19	18
SALEABLE	NOT APPLICABLE	34566-5283	0	C	BLUE	72		70		68	67	66			63	62			59		57	56	55	54	53		
						52	51			48	47	46		44		42		40	39							34	33
						73						32		30				26	25			22	21		19	18	
SALEABLE	NOT APPLICABLE	34566-5293	0	A	BLACK			70	69						63	62	61	60		58	57	56	55	54	53		
						52	51		49					44	43	42	41	40				37	36		34		
						73						32			29	28	27	26							19	18	17
SALEABLE	NOT APPLICABLE	34566-5313	0	C	BLUE	72		70		68	67	66			63	62			59		57	56	55		53		
						52	51			48	47	46		44		42		40	39	38	37	36			34	33	
						73						32		30			27	26	25	24		22	21		19	18	
SALEABLE	NOT APPLICABLE	34566-5323	0	G	BLUE	80		78	77		75	74	73	72		70	69		67		65	64	63	62			
						60		58	57		55	54		52	51	50	49		47		45						
						40		38	37					33	32	31				27	26	25	24				
SALEABLE	NOT APPLICABLE	34566-5333	0	A	BLACK			70	69						63	62	61	60		58	57	56	55	54	53		
						52	51		49					44	43	42	41	40				37	36		34		
						73						32			29	28	27	26							19	18	17
SALEABLE	NOT APPLICABLE	34566-5343	0	B	ST GRAY					68	67			64			59	58						54			
											46	45						39	38								
						73						32		30	29	28	27			23	22						17
SALEABLE	NOT APPLICABLE	34566-5353	9	B	ST GRAY					68	67			64	63			59	58			55	54				
											46	45	44	43				39	38				35	34			
						73						32		30	29	28	27			23	22			19			17
SALEABLE	NOT APPLICABLE	34566-5363	0	C	BLUE	72		70		68		66			63	62			59		57				53		
						52	51			48	47	46		44		42		40	39	38						34	33
						73						32		30				26	25			22	21				
SALEABLE	NOT APPLICABLE	34566-5373	0	C	BLUE	72		70		68		66			63	62			59		57				53		
						52	51			48	47	46		44		42		40	39							34	33
						73						32		30				26	25			22	21				
SALEABLE	NOT APPLICABLE	34566-5383	0	C	BLUE	72		70		68		66			63	62			59		57				53		
						52	51			48	47	46		44		42		40	39			37	36			34	33
						73						32		30				26	25	24		22	21				2



MX123 52/66/73/80-WAY RECEPTACLE ASSY SEALED PIN OUT SHEET

STATUS	GM PART #	HRNS CONN ASSY			TPA	GROMMET CAP																								
		MATERIAL/PART	WIRE DRESS OPTION	KEY OPTION Fp	COLOR OPTION Fp	NUMBERS INDICATE CAVITIES OPEN FOR CIRCUITS																								
		NUMBER				Fp																								
SALEABLE	NOT APPLICABLE	34566-5393	0	A	BLACK	52	51	70	69									63							56	55	54	53		
									49						44	43	42	41									36			34
						73				32					28		26						23				21			19
SALEABLE	NOT APPLICABLE	34566-5413	0	A	BLACK	52	51	70	69								63								56	55	54	53		
									49						44	43	42	41									36			34
						73				32					28		26						23				21			19
SALEABLE	NOT APPLICABLE	34566-5423	0	A	BLACK	52	51	70	69								63								56	55	54	53		
									49						44	43	42	41									36			34
						73				32					28		26						23				21			19
SALEABLE	NOT APPLICABLE	34566-5433	9	B	ST GRAY																									
						73				32					46	45														
SALEABLE	NOT APPLICABLE	34566-5443	9	B	ST GRAY																									
						73				32					30	29	28	27												
SALEABLE	NOT APPLICABLE	34566-5453	0	B	ST GRAY																									
						73				32					30	29	28	27												
SALEABLE	NOT APPLICABLE	34566-5463	0	A	BLACK	72		70																						
						52			49																					
						73				16	15	14			12		10													
SALEABLE	NOT APPLICABLE	34566-5473	0	A	BLACK	72	71	70																						
						52	51																							
						73				16	15	14			12	11	10													
SALEABLE	NOT APPLICABLE	34566-5483	0	B	ST GRAY	72		70																						
						52		50																						
						73				32	31	30	29	28	27	26	25	24												
SALEABLE	NOT APPLICABLE	34566-5493	0	A	BLACK	72		70	69																					
						52	51		49																					
						73				32					28		26													
SALEABLE	NOT APPLICABLE	34566-5513	9	B	ST GRAY																									
						73				32					30	29	28	27												
SALEABLE	NOT APPLICABLE	34566-5523	9	A	BLACK	72			69																					
									49																					
						73				16	15	14	13			11	10													
SALEABLE	NOT APPLICABLE	34566-5533	9	B	ST GRAY																									
						73				32					30	29	28	27												
SALEABLE	NOT APPLICABLE	34566-5543	9	A	BLACK																									
						73				32					30	29	28	27												
SALEABLE	NOT APPLICABLE	34566-5553	9	B	ST GRAY																									
						73				32					30	29	28	27												

MX123 52/66/73/80-WAY RECEPTACLE ASSY SEALED PIN OUT SHEET

STATUS	GM PART #	HRNS CONN ASSY			TPA	GROMMET CAP																							
		MATERIAL/PART	WIRE DRESS OPTION	KEY OPTION Fp	COLOR OPTION Fp	NUMBERS INDICATE CAVITIES OPEN FOR CIRCUITS																							
		NUMBER				Fp																							
SALEABLE	NOT APPLICABLE	34566-5563	0	A	BLACK	72	71	70	69					64	63			60	59	58	57	56	55	54	53				
						52	51		49	48	47		45	44	43	42	41								36		34	33	
						73				32		30		28		26											19	18	17
SALEABLE	NOT APPLICABLE	34566-5573	0	C	BLUE	72		70		68		66			63	62			59	58	57	56	55		53				
						52	51		49	48	47	46		44		42		40	39	38	37	36				34	33		
						73				32		30				26	25	24	23	22	21	20	19	18	17				
SALEABLE	NOT APPLICABLE	34566-5583	0	B	ST GRAY	72		70		68		66		64	63			60	59					55	54	53			
						52		50		48		46				40	39									35	34	33	
						73				32	31	30	29	28	27	26	25	24	23			20						2	1
SALEABLE	NOT APPLICABLE	34566-5593	0	C	BLUE	72		70		68		66			63	62			59		57				55	54	53		
						52	51			48	47	46		44		42		40	39								34	33	
						73				32		30				26	25		23	22	21								
SALEABLE	NOT APPLICABLE	34566-5613	0	C	BLUE	72		70		68		66			63	62			59	58	57					53			
						52	51			48	47			44		42		40	39		37	36					34	33	
						73				32		30			27	26	25	24	23	22	21	20						2	1
SALEABLE	NOT APPLICABLE	34566-5623	0	C	BLUE	72		70		68		66			63	62			59		57					53			
						52	51			48	47			44		42		40	39		37	36					34	33	
						73				32		30			27	26	25	24	23	22	21	20						2	
SALEABLE	NOT APPLICABLE	34566-5633	0	B	ST GRAY	72										62	61												
						52				48		46		44	43		41	40								20	19	18	
						73				16	15	14															4		
SALEABLE	NOT APPLICABLE	34566-5643	0	B	ST GRAY	72										62	61												
						52				48		46			43		41	40									20	19	18
						73				16	15	14															4		
SALEABLE	NOT APPLICABLE	34566-5653	0	A	BLACK	72	71	70	69	68		66	65	64	63		61	60			57	56			54	53			
						52	51	50	49	48		46	45	44	43		40	39	38	37	36					34	33		
						73				32	31	30	29	28		26	25		23	22	21							2	
SALEABLE	NOT APPLICABLE	34566-5663	0	C	BLUE				69		67	66	64		62		60			57			55	54					
						52	51	50		48		46	45	44		42						37			35	34	33		
						73				32	31			28	27	26										19	18		
SALEABLE	NOT APPLICABLE	34566-5673	0	C	BLUE				69		67	66	64		62		60			57			55	54					
						52	51	50	49	48		46	45	44		42						37			35	34	33		
						73				32	31			28	27	25											18		
SALEABLE	NOT APPLICABLE	34566-5683	0	B	ST GRAY	72										62	61												
						52				48		46		44	43		41	40								20	19	18	
						73				16		14															4		
SALEABLE	NOT APPLICABLE	34566-5693	0	A	BLACK	72	71	70	69	68		66	65	64	63		61	60			57	56			54	53			
						52	51	50	49	48		46	45	44	43		40	39	38	37	36					34	33		
						73				32	31	30	29	28		26	25		23	22	21	20						2	
SALEABLE	NOT APPLICABLE	34566-5713	0	C	BLUE				69		67	66	64		62		60			57			55	54					
						52	51	50		48		46	45	44		42						37			35	34	33		
						73				32	31			28	27	26										19	18	17	
SALEABLE	NOT APPLICABLE	34566-5723	0	C	BLUE				69		67	66	64		62		60			57			55	54					
						52	51	50	49	48		46	45	44		42						37			35	34	33		
						73				32	31			28	27	25											18		

MX123 52/66/73/80-WAY RECEPTACLE ASSY SEALED PIN OUT SHEET

STATUS	GM PART #	HRNS CONN ASSY			TPA	GROMMET CAP																								
		MATERIAL/PART	WIRE DRESS OPTION	KEY OPTION Fp	COLOR OPTION Fp	NUMBERS INDICATE CAVITIES OPEN FOR CIRCUITS																								
		NUMBER				Fp																								
SALEABLE	NOT APPLICABLE	34566-5733	0	A	BLACK	52	71	70	69					64	63			60	59	58	57	56	55	54	53					
							51		49				45	44	43	42	41								36					
						73				32		30		28		26											19	18		
SALEABLE	NOT APPLICABLE	34566-5743	0	A	BLACK	52	71	70	69		67			64	63			60	59		57	56	55	54	53					
							51		49				45	44	43	42	41								37	36		34		
						73				32		30		28		26												19	18	
SALEABLE	NOT APPLICABLE	34566-5753	0	A	BLACK	52	71	70	69					64	63			60	59		57	56	55	54	53					
							51		49				45	44	43	42	41									37	36		34	
						73				32		30		28		26				23								19	18	
SALEABLE	NOT APPLICABLE	34566-5763	0	C	BLUE	72		70		68		66			63	62			59	58	57					53				
						52	51			48	47	46		44		42		40	39							37	36		34	
						73				32		30			27	26	25	24			22	21	20							2
SALEABLE	NOT APPLICABLE	34566-5773	0	C	BLUE	72		70		68		66			63	62			59	58	57					53				
						52	51			48	47			44		42		40	39								37	36		34
						73				32		30			27	26	25	24			22	21	20							17
SALEABLE	NOT APPLICABLE	34566-5783	0	C	BLUE	72		70		68		66			63	62			59	58	57					53				
						52	51			48	47			44		42		40	39								37	36		34
						73				32		30			27	26	25	24			22	21	20							2
SALEABLE	NOT APPLICABLE	34566-5793 SAME AS P/N 34566-4013	0	B	ST GRN	72		70		68		66					60	59							55	54	53			
						52		50		48		46					40	39									35	34	33	
						73				32	31	30	29	28	27	26	25	24												17
SALEABLE	NOT APPLICABLE	34566-5813	0	B	ST GRN	72		70		68		66					60	59								55	54	53		
						52		50		48		46					40	39										35	34	33
						73				32	31	30	29	28	27	26	25	24	23											19
SALEABLE	NOT APPLICABLE	34566-5823	0	A	BLACK	72		70							63															
						52			49						43		41													
						73					31	30		28	27	26			23									20	19	
SALEABLE	NOT APPLICABLE	34566-5833	0	A	BLACK	72		70							63															
						52			49						43		41													
						73					31	30		28	27	26			23									20	19	
SALEABLE	NOT APPLICABLE	34566-5843	0	H	ST GRN		79																							
							59		57			74	73	72	71			68	67			65	64	63	62	61				
								38				34	33					29	27			25								
SALEABLE	NOT APPLICABLE	34566-5853	0	H	ST GRN			38																						
								18				15	14			11	10	9	8	7										
							79					74	73	72	71			68	67			65	64	63	62	61				
SALEABLE	NOT APPLICABLE	34566-5863	0	C	BLUE	72		70				66			63	62			59		57	56	55		53					
						52	51					46	44		42		40	39			37	36				34	33			
						73				32		30				26	25			22	21						19	18		
SALEABLE	NOT APPLICABLE	34566-5873	0	B	ST GRN																									
										48	47	46		44	43		41	40									20	19	18	
						73				16	15	14																4		
SALEABLE	NOT APPLICABLE	34566-5883	0	B	ST GRN	72										62	61													
						52				48	47	46			43		41	40												
						73						30																20	19	18

MX123 52/66/73/80-WAY RECEPTACLE ASSY SEALED PIN OUT SHEET

STATUS	GM PART #	HRNS CONN ASSY			TPA	GROMMET CAP																					
		MATERIAL/PART	WIRE DRESS OPTION	KEY OPTION Fp	COLOR OPTION Fp	NUMBERS INDICATE CAVITIES OPEN FOR CIRCUITS																					
		NUMBER				Fp																					
SALEABLE	NOT APPLICABLE	34566-5893	0	C	BLUE	52	51	50	69	48	67	66	45	44	62	60	57	55	54	33	34	35	18	19			
						73			32	28	27	26	11	10	9												
						16	15	14	13	12	11	10	9														
SALEABLE	NOT APPLICABLE	34566-5913	0	C	BLUE	52	51	50	49	68	67	66	64	61	60	57	54	33	34	35	18	19	20	21			
						73			32	28	27	26	25	24	23	22	21										
						16	15	14	13	12	11	10	9														
SALEABLE	NOT APPLICABLE	34566-5933	0	C	BLUE	72	71	70	69	68	67	66	64	63	62	59	57	56	55	53	33	34	35	18	19		
						52	51			48	47	46	44	42	40	39											
						73			32	30			26	25	23	22	21										
SALEABLE	NOT APPLICABLE	34566-5943	0	C	BLUE	72	71	70		68	67	66		63	62	59	57	56	55	53	33	34	35	18	19		
						52	51		49	48	47	46	44	42	40	39											
						73			32	30			27	26	25		22	21	20								
SALEABLE	NOT APPLICABLE	34566-5953	0	A	BLACK	72	71	70	69	68	67	66	65	64	63	62	61	60	58	57	56	55	54	53	33		
						52	51		49	48	47		45	44	43	42	41										
						73			32	30	29	28	27	26		24											
SALEABLE	NOT APPLICABLE	34566-5963	0	B	ST GRAY	72	71	70		68	67	66			62	61	60	59	58	57	56	55	54	53	33		
						52	51	50		48	47	46			42	41	40	39	38	37	36	35	34	33	18	19	20
						73			32	31	30	29	28	27	26	25	24										
SALEABLE	NOT APPLICABLE	34566-5973	0	C	BLUE	72	71	70		68	67	66			63	62	59	57	56	55	53	33	34	35	18		
						52	51			48	47	46	44	42	40	39											
						73			32	30			27	26	25		22	21	20								
SALEABLE	NOT APPLICABLE	34566-5983	0	C	BLUE	52	51	50	69	48	67	66	64	62	60	57	55	54	33	34	35	18	19	20	21		
						73			32	28	27	26	11	10	9												
						16	15	14	13	12	11	10	9														
SALEABLE	NOT APPLICABLE	34566-5993	0	A	BLACK	72	71	70	69	68	67	66	65	64	63	62	61	60	58	57	56	55	54	53	33		
						52	51	50	49	48	47		45	44	43	42	41	40	39	37	36	35	34	33	17	18	19
						73			32	31	30	29	28	27	26	25	24	23									
SALEABLE	NOT APPLICABLE	34566-6013	0	B	ST GRAY	72	71	70	69	68	67	66	65	64	63	62	61	60	59	58	57	56	55	54	53		
						52	51	50	49	48	47	46	45	43		40	39										
						73			32	31	30	29			26		24	23	22	21	20						
SALEABLE	NOT APPLICABLE	34566-6023	0	A	BLACK	72	71	70	69	68	67				63	62	61	60	59	58	57	56	55	54	53		
						52	51	50	49	48	47		45	44	43		40	39	38	37	36	35	34	33	17	18	19
						73			32	31	30	29	28			24	23	22	21	20	19						
SALEABLE	NOT APPLICABLE	34566-6033	0	A	BLACK	72	71	70	69	68	67				63	62	61	60	59	58	57	56	55	54	53		
						52	51		49	48	47		44	43	42	41											
						73			32		29	28	27	26		8											
SALEABLE	NOT APPLICABLE	34566-6043	0	B	ST GRAY	72	71	70	69	68	67	66	65	64			58	57	56	55	54	53	33	34	35		
						52	51			48	47	46	45			40	39										
						73			32	30	29	28	27			22											
SALEABLE	NOT APPLICABLE	34566-6053	0	B	ST GRAY	72	71	70	69	68	67	66	65	64	63	62	61	60	59	58	57	56	55	54	53	33	
						52	51			48	47	46		43	42	41	40										
						73			32		30																
SALEABLE	NOT APPLICABLE	34566-6063	0	C	BLUE	72	71	70	69	68	67	66	64	62	60	57	55	54	33	34	35	18	19	20	21		
						52	51	50		48	47	46	45	44	42	40	39										
						73			32			28	27	26		9											

MX123 52/66/73/80-WAY RECEPTACLE ASSY SEALED PIN OUT SHEET

STATUS	GM PART #	HRNS CONN ASSY			TPA	GROMMET CAP																																		
		MATERIAL/PART	WIRE DRESS OPTION	KEY OPTION Fp		COLOR OPTION Fp	NUMBERS INDICATE CAVITIES OPEN FOR CIRCUITS																																	
		NUMBER					Fp																																	
SALEABLE	NOT APPLICABLE	34566-6073	0	C	BLUE	52	51	50	69	48	67	66	45	64	61	60	57	54	34	33	73																			
										32				28	27	25											18	17												
										16	15	14	13	12	11	10	9																							
SALEABLE	NOT APPLICABLE	34566-6083	0	C	BLUE	72	70			68	67	66				63	62	59	57																					
						52	51			48	47	46	44	42	40	39	37	36	34	33	73																			
										32	30				26	25	22	21																						
SALEABLE	NOT APPLICABLE	34566-6093	0	B	ST GRAY	72	70						67				63	62	61	60	59																			
						52									46				43	41	40																			
																			27											20	19	18								
SALEABLE	NOT APPLICABLE	34566-6113	0	A	BLACK	72	71	70	69	68				66	65	64	63	62	61	60	58	57	56	55	54	53														
						52	51	50	49	48				46	45	44	43	42	41	40	39	38	37	36	34	33	73													
										32	31	30	29	28	27	26	25	23	22	21	20	19	18	73																
SALEABLE	NOT APPLICABLE	34566-6123	0	C	BLUE	52	51	50	69	48	67	66	45	64	62	60	57	54	34	33	73																			
																28	27	26																						
										16	15	14	13	12	11	10	9	8	7																					
SALEABLE	NOT APPLICABLE	34566-6133	9	C	BLUE	72	70			68	67				63	62	59	57																						
						52	51			48	47				44	42	40	39	38	37	36	34	33	73																
										32	30				26	25	24	22	21																					
SALEABLE	NOT APPLICABLE	34566-6173	9	B	ST GRAY				67	66																														
									48	47							41																							
										32	31	30	29				27	26	25	24	22	21	19	18	17	73														
SALEABLE	NOT APPLICABLE	34566-6183	9	A	BLACK				66																															
									48	47							41																							
										32	31	30	29				27	26	25	24	22	21	19	18	17	73														
SALEABLE	NOT APPLICABLE	34566-6193	9	B	ST GRAY	72	71	70	69	68	67	66	65	64	62	61	60	59	58	57	56	55	54																	
						52	51	50	49				46	44				41	40	38	37	36	18	17	73															
										32	31	30	29	28	27	26	25	24				21	20																	
SALEABLE	NOT APPLICABLE	34566-6213	9	A	BLACK				67	66																														
									48	47							41																							
										32	31	30	29				27	26	25	24	22	21	19	18	17	73														
SALEABLE	NOT APPLICABLE	34566-6223	9	C	BLUE	72	70			68	67	66				63	62	59	57																					
						52	51			48	47	46	44				40	39											34	33										
										32	30				27	26	25	22	21	20																				
SALEABLE	NOT APPLICABLE	34566-6233	9	B	ST GRAY	72	70			68	67	66							60	59																				
						52			48	47	46	44				40	39											35	34	33										
										32	31	30	29	28	27	26	25	24							2	1														
SALEABLE	NOT APPLICABLE	34566-6243	9	A	BLACK	71	70	69				64	63				60	59	58	57	56	55	54	53																
						52	51	50	49				45	44	43	42	41	39	37	36	34																			
										32	30				28	26											19	18												
SALEABLE	NOT APPLICABLE	34566-6253	9	C	BLUE	72	70			68	67	66				63	62	59	57																					
						52	51	49	48	47	46	44				40	39	37	36	34	33	73																		
										32	30				27	26	25	24	22	21	20																			
SALEABLE	NOT APPLICABLE	34566-6263	9	B	ST GRAY	72	71	70	69	68	67	66				64	63	60	59	58	57	56	55	54	53															
						52	51	50				45	44	43	42	41	39	38	37	36	35	34	33	73																
										32	31	30	29	28	27	26	25	24							3	2	1													

MX123 52/66/73/80-WAY RECEPTACLE ASSY SEALED PIN OUT SHEET

STATUS	GM PART #	HRNS CONN ASSY			TPA	GROMMET CAP																					
		MATERIAL/PART	WIRE DRESS OPTION	KEY OPTION Fp	COLOR OPTION Fp	NUMBERS INDICATE CAVITIES OPEN FOR CIRCUITS																					
		NUMBER				Fp																					
SALEABLE	NOT APPLICABLE	34566-6273	9	B	ST GRY	71	70	69				65	64	63	62	61	60		58	57	56	55	54	53			
						52	51	50	49	48	47		45	44	43	42	41		39				36				
						73			32		30	29	28	27	26			24							19	18	
SALEABLE	NOT APPLICABLE	34566-6283	9	C	BLUE	72		70		68	67	66			63	62			59		57			53			
						52	51			48	47	46		44				40	39						34	33	
						73			32		30			27	26	25			22	21							
SALEABLE	NOT APPLICABLE	34566-6293	9	B	ST GRY	72	71	70		68	67	66			62	61	60	59	58	57	56	55	54	53			
						52	51	50		48	47	46			42	41	40	39	38	37	36	35	34	33			
						73			32	31	30	29	28	27	26	25	24										17
SALEABLE	NOT APPLICABLE	34566-6313	9	B	ST GRY			70	69					63	62	61	60		58	57	56	55	54	53			
						52	51	50	49					44	43	42	41		39						34	33	
						73			32			29	28	27	26										19	18	
SALEABLE	NOT APPLICABLE	34566-6323	9	B	ST GRY		71	70	69					64	63			60	59	58	57	56	55	54	53		
						52	51	50	49				45	44	43	42	41		39							34	33
						73			32		30		28		26											19	18
SALEABLE	NOT APPLICABLE	34566-6333	9	C	BLUE	72		70		68	67	66			63	62			59		57	56	55	54	53		
						52	51			48	47	46		44				40	39							34	33
						73			32		30			27	26	25			22	21					19	18	
SALEABLE	NOT APPLICABLE	34566-6343	9	A	BLACK			70	69					63	62	61	60		58	57	56	55	54	53			
						52	51	50	49				44	43	42	41	40	39							34	33	
						73			32			29	28	27	26										19	18	17
SALEABLE	NOT APPLICABLE	34566-6353	9	C	BLUE	72		70		68		66			63	62			59	58	57	56	55	54	53		
						52	51			48	47	46		44				40	39							34	33
						73			32		30			27	26	25			23	22	21	20					17
SALEABLE	NOT APPLICABLE	34566-6363	9	B	ST GRY	72		70		68		66					60	59					55	54	53		
						52		50		48		46						40	39						35	34	33
						73			32	31	30	29	28	27	26	25	24	23							19	18	17
SALEABLE	NOT APPLICABLE	34566-6373	9	A	BLACK		71	70	69		67			64	63			60	59	58	57	56	55	54	53		
						52	51	50	49		47		45	44	43	42	41	40	39							34	33
						73			32		30		28		26			23		21					19	18	17
SALEABLE	NOT APPLICABLE	34566-6383	9	A	BLACK	72	71	70	69	68		66	65	64	63		61	60			57	56		54	53		
						52	51	50	49	48		46	45	44	43	42	41	40	39	38	37	36			34	33	
						73			32	31	30	29	28					23	22	21							2
SALEABLE	NOT APPLICABLE	34566-6393	9	C	BLUE		71	70	69		67	66	65	64		62	61	60		58	57		55	54			
						52	51	50	49	48	47	46	45	44		42	41		38	37					35	34	33
						73			32			28	27	26	25											19	18
SALEABLE	NOT APPLICABLE	34566-6413	9	B	ST GRY	72				68	67				63	62	61	60	59					55			
						52				48	47	46		44	43		41	40							36	35	
						73					30			27											20	19	18
SALEABLE	NOT APPLICABLE	34566-6423	9	C	BLUE			70	69		67	66	65	64								56		54			
						52	51	50	49		47	46	45	44				39	38							34	
						73					31	30	29	28		26	25		23	22	21						
SALEABLE	NOT APPLICABLE	34566-6433	9	A	BLACK	72		70			67				63			60	59	58	57	56	55				
						52	51			48	47	46			43	42		40	39	38	37	36	35				
						73								28	27			9		7							18

MX123 52/66/73/80-WAY RECEPTACLE ASSY SEALED PIN OUT SHEET

STATUS	GM PART #	HRNS CONN ASSY			TPA	GROMMET CAP																						
		MATERIAL/PART	WIRE DRESS OPTION	KEY OPTION Fp	COLOR OPTION Fp	NUMBERS INDICATE CAVITIES OPEN FOR CIRCUITS																						
		NUMBER				Fp																						
SALEABLE	NOT APPLICABLE	34566-6443	9	B	ST GRAY	72	71	70	69	68	67	66	65	64	63		61	60			57	56	55					
						52	51	50	49	48	47	46	45	44	43		41	40			38	37	36	35	34	33		
						73				32	31	30	29	28		26	25	24	23	22	21	20	19	18	17			
SALEABLE	NOT APPLICABLE	34566-6453	0	C	BLUE		71	70	69		67		65	64		62	61	60			57			54				
						52	51	50	49	48	47	46	45	44		42	41			37				34	33			
						73				32				28	27	26	25									18	17	
SALEABLE	NOT APPLICABLE	34566-6463	0	B	ST GRAY	72				68	67					62	61							55				
						52				48	47	46			43			40										
						73						30										20	19	18				
SALEABLE	NOT APPLICABLE	34566-6473	9	C	BLUE			70	69		67	66		64		62		60			57		55	54				
						52	51	50		48		46	45	44		42			37				35	34	33			
						73				32				28	27	26								19	18	17		
SALEABLE	NOT APPLICABLE	34566-6483	9	A	BLACK	72	71	70	69	68		66	65	64	63		61	60			57	56		54	53			
						52	51	50	49	48		46	45	44	43			40	39	38	37	36		34	33			
						73				32	31	30	29	28		26	25		23	22	21	20						
SALEABLE	NOT APPLICABLE	34566-6493	9	B	ST GRAY			70								62	61						55					
						52				48	47	46			43		41	40										
						73						30										20	19	18				
SALEABLE	NOT APPLICABLE	34566-6513	0	B	ST GRAY					68	67					62	61					55	54					
						52						46			43			40										
						73				16	15	14						8				4	3	2	1			
SALEABLE	NOT APPLICABLE	34566-6523	0	B	ST GRAY					68	67			64					59	58								
												46	45						39	38								
						73				32		30	29	28	27				23	22								17
SALEABLE	NOT APPLICABLE	34566-6533	9	B	ST GRAY					68	67			64														
												46	45															
						73				32		30	29	28	27													17
SALEABLE	NOT APPLICABLE	34566-6543	9	A	BLACK			70	69																			
						52	51	50	49	48		46	45	44	43			40	39	38	37	36		34	33			
						73				32	31	30	29	28		26	25		23	22	21	20						
SALEABLE	NOT APPLICABLE	34566-6553	9	A	BLACK			70	69																			
						52	51	50	49		47		45	44	43	42	41	40	39		37	36		34				
						73				32		30		28		26							19	18	17			
SALEABLE	NOT APPLICABLE	34566-6563	9	C	BLUE			70		68		66			63	62			59	58	57							
						52	51			48	47	46		44				40	39						34	33		
						73				32		30			27	26	25		23	22	21	20						17
SALEABLE	NOT APPLICABLE	34566-6573	9	A	BLACK				69																			
						52	51	50	49		47		45	44	43	42	41	40	39		37	36		34				
						73				32		30		28		26			23		21		19	18				
SALEABLE	NOT APPLICABLE	34566-6583	9	A	BLACK			70	69						63	62	61	60		58	57	56	55	54	53			
						52	51	50	49					44	43	42	41	40	39		37	36		34				
						73				32			29	28	27	26									19	18		
SALEABLE	NOT APPLICABLE	34566-6593	0	C	BLUE				69						62		60			57		55	54					
						52	51	50		48		46	45	44		42				37			35	34	33			
						73				32				28	27	26							20	19	18	17		

MX123 52/66/73/80-WAY RECEPTACLE ASSY SEALED PIN OUT SHEET

STATUS	GM PART #	HRNS CONN ASSY			TPA	GROMMET CAP																						
		MATERIAL/PART	WIRE DRESS OPTION	KEY OPTION Fp	COLOR OPTION Fp	NUMBERS INDICATE CAVITIES OPEN FOR CIRCUITS																						
		NUMBER				Fp																						
SALEABLE	NOT APPLICABLE	34566-6613	0	A	BLACK	72	71	70	69			66		64	63		61	60			57	56		54	53			
						52	51	50	49			46	45	44	43		26	25		23	22	21				34	33	
						73				32	31	30	29	28			9		7	6	5						2	1
SALEABLE	NOT APPLICABLE	34566-6623	9	B	ST GRAY					68	67		64					59	58				54					
										46	45					39	38											
						73				32	31	30	29	28	27			23	22								17	
SALEABLE	NOT APPLICABLE	34566-6633	9	C	BLUE				69		67	66		64		62		60			57			54				
						52	51	50		48		46	45	44		42					37				34	33		
						73				16	15	14	13	12	11	10	9	8	7									
SALEABLE	NOT APPLICABLE	34566-6643	9	C	BLUE		71			68	67		65	64	63		61	60		58	57			54				
						52	51	50		48			45		43		41			38	37				34	33		
						73				16	15	14	13	12	11	10	9	8	7								18	
SALEABLE	NOT APPLICABLE	34566-6653	9	B	ST GRAY	72				68						62	61	60	59					55				
						52				48	47	46		44	43		41	40		38	37	36	35					
						73						30										20	19	18				
SALEABLE	NOT APPLICABLE	34566-6663	9	A	BLACK	72	71	70	69	68			65	64	63			60			57	56			54			
						52	51	50	49	48		46	45	44	43	42		40	39	38	37	36				34		
						73				32	31	30	29	28			26	25		23	22	21	20					2
SALEABLE	NOT APPLICABLE	34566-6673	9	B	ST GRAY	72	71	70	69	68	67	66	65	64	63		61	60	59		57	56	55					
						52	51	50	49	48	47	46	45	44	43		41	40	39	38	37	36	35	34	33			
						73				32	31	30	29	28			26		24	23	22	21	20	19	18	17		
SALEABLE	NOT APPLICABLE	34566-6683	9	A	BLACK			70			67					63		60	59	58	57							
						52				48	47	46			43	42		40	39	38	37							
						73				32	31	30	29	28	27					22	21						2	1
SALEABLE	NOT APPLICABLE	34566-6693	9	C	BLUE	72	71	70	69		67	66	65	64						56				54				
						52	51	50	49		47	46	45	44					39	38					34			
						73					31	30	29	28			26	25	24	23	22	21						17
SALEABLE	TBD	34822-0063	9	A	BLACK		63	62	61	60	59					54	53		51		49		66					
							47								38	37		35		33								
						65								28			25		22	21	20	19	18	17				
SALEABLE	NOT APPLICABLE	34566-6713	9	A	BLACK	72	71	70	69	68			66	65	64	63		61	60		57	56			54	53		
						52	51	50	49	48		46	45	44	43	42	41	40	39	38	37	36				34	33	
						73				32	31	30	29	28			26	25		23	22	21					2	1
SALEABLE	NOT APPLICABLE	34566-6723	0	H	ST GRAY		79						74	73					67		65	64	63	62	61			
							59							53	52							25		44	43	42	41	
								38						33							27							
SALEABLE	NOT APPLICABLE	34566-6733	0	G	BLUE			78	77		75	74		72		70				64	63							
						60		58	57		55	54		52	51	50	49		47		45							
						40	39	38	37				33	32	31				27	26								
SALEABLE	NOT APPLICABLE	34566-6743	9	C	BLUE		71		69	68	67		65	64	63		61	60		57				34	33			
						52	51	50		48		46	45		43		41			37								
						73				16	15	14	13	12	11	10	9	8	7									
SALEABLE	NOT APPLICABLE	34566-6753	9	A	BLACK	72	71	70	69	68			66	65	64		61	60		57	56			54	53			
						52	51	50	49	48		46	45	44	43	42		40	39	38	37	36				34	33	
						73					31	30	29	28					23	22	21	20					2	



MX123 52/66/73/80-WAY RECEPTACLE ASSY SEALED PIN OUT SHEET

STATUS	GM PART #	HRNS CONN ASSY			TPA	GROMMET CAP																															
		MATERIAL/PART	WIRE DRESS OPTION	KEY OPTION	COLOR OPTION	NUMBERS INDICATE CAVITIES OPEN FOR CIRCUITS																															
		NUMBER		Fp	Fp	Fp																															
SALEABLE	NOT APPLICABLE	34566-6763	9	B	ST GR	72				68							62	61									55										
						52		50	49					46	45					43														34			
						73																			22	21	20	19	18								
SALEABLE	NOT APPLICABLE	34566-6773	0	C	BLUE	72		70		68						63	62					59	58	57							53						
						52	51		49	48	47	46			44				42				40	39								34	33				
						73																			26	25			22	21			19	18	17		
SALEABLE	NOT APPLICABLE	34566-6783	0	B	ST GR	72		70		68											60	59									55	54	53				
						52		50		48		46				43						40	39									35	34	33			
						73																														17	
SALEABLE	NOT APPLICABLE	34566-6793	0	B	ST GR	72		70		68											60	59									55	54	53				
						52		50		48		46				43						40	39									35	34	33			
						73																														17	
SALEABLE	NOT APPLICABLE	34566-6813	9	A	BLACK		71	70	69	68	67			65	64	63	62	61	60				58	57	56	55	54	53									
						52	51	50	49	48	47			45	44	43	42	41	40	39														34			
						73																														18	
SALEABLE	NOT APPLICABLE	34566-6823	9	C	BLUE	72		70		68	67										59											53					
						52	51		49	48	47	46			44								41	40	39								37	36	35	34	33
						73																															
SALEABLE	NOT APPLICABLE	34566-6833	0	A	BLACK			70	69																												
						52	51		49	48	47			44	43	42	41	40																	34	33	
						73																															18
SALEABLE	NOT APPLICABLE	34566-6843	0	A	BLACK	72	71	70	69	68																											
						52	51	50	49	48					44	43																				34	33
						73																															17
SALEABLE	NOT APPLICABLE	34566-6853	0	C	BLUE				69																												
						52	51	50	49	48		46	45	44																							
						73																															
SALEABLE	NOT APPLICABLE	34566-6863	0	A	BLACK	72	71	70	69	68																											
						52	51	50	49	48		46	45	44	43	42																				34	33
						73																															
SALEABLE	NOT APPLICABLE	34566-6873	9	B	ST GR	72				68	67																										
						52				48	47	46			44	43																					
						73																															
SALEABLE	NOT APPLICABLE	34566-6883	9	A	BLACK	72		70																													
						52	51			48	47	46																									
						73																															
SALEABLE	NOT APPLICABLE	34566-6893	0	B	ST GR	72	71	70	69	68	67	66	65	64	63	62	61	60	59																		
						52	51	50	49	48	47	46	45	44	43																						
						73																															
SALEABLE	NOT APPLICABLE	34566-6913	9	A	BLACK	72	71	70	69	68	67	66	65	64	63																						
						52	51	50	49	48	47	46	45	44	43	42																					
						73																															
SALEABLE	NOT APPLICABLE	34566-6923	9	C	BLUE	72	71	70	69																												
						52	51	50	49	48	47	46	45	44																							
						73																															

MX123 52/66/73/80-WAY RECEPTACLE ASSY SEALED PIN OUT SHEET

STATUS	GM PART #	HRNS CONN ASSY			TPA	GROMMET CAP																							
		MATERIAL/PART	WIRE DRESS OPTION	KEY OPTION Fp	COLOR OPTION Fp	NUMBERS INDICATE CAVITIES OPEN FOR CIRCUITS																							
		NUMBER				Fp																							
SALEABLE	NOT APPLICABLE	34566-6933	9	B	ST GRY	72				68	67				63	62	61	60	59				55		53				
						52				48	47	46		44	43		41	40				38	37	36	35				
						73						30			27							22	21	20	19	18	17		
SALEABLE	NOT APPLICABLE	34566-6943	9	A	BLACK	72	71	70	69	68		66	65	64	63		61	60				57	56		54	53			
						52	51	50	49	48		46	45	44	43	42	41	40	39	38	37	36				34	33		
						73				32	31	30	29	28							23	22	21						
SALEABLE	NOT APPLICABLE	34566-6953	0	A	BLACK	72	71	70	69			66	65	64	63		61	60				57	56		54	53			
						52	51	50	49			46	45	44	43			40	39	38	37	36				34	33		
						73				32	31	30	29	28			26	25		23	22	21	20						
SALEABLE	NOT APPLICABLE	34566-6963	0	B	ST GRY	72		70		68	67					62	61							55					
						52				48	47	46			43			40								20	19	18	
						73						30														8		4	2
SALEABLE	NOT APPLICABLE	34566-6973	0	C	BLUE		71	70	69			67		65	64		62	61	60				57		55	54			
						52	51	50	49	48	47	46	45	44		42	41								37		35	34	33
						73				32				28	27	26	25											19	18
SALEABLE	NOT APPLICABLE	34566-6983	0	C	BLUE		71		69			67		65	64		62	61	60				57		55	54			
						52	51	50		48	47	46	45	44		42									37		35	34	33
						73								28	27	26													18
SALEABLE	NOT APPLICABLE	34566-6993	0	G	BLUE			78	77	76										67	66	65							
						40	39	38	37	36	35	34	33	32				29	28						25				21
						20	19	18	17	16	15	14	13	12														3	
SALEABLE	NOT APPLICABLE	34566-7013	9	A	BLACK		71	70	69					64	63	62	61	60	59	58	57	56	55	54	53				
						52	51	50	49				45	44	43	42	41		39		37	36				34			
						73				32			29	28	27	26											19	18	
SALEABLE	NOT APPLICABLE	34566-7023	0	A	BLACK	72	71	70	69	68		66	65	64		61	60					57	56		54	53			
						52	51	50	49	48		46	45	44	43			40	39	38	37	36				34	33		
						73						31	30	29	28			26	25		23	22	21	20					
SALEABLE	NOT APPLICABLE	34566-7033	0	A	BLACK			70	69					65		63	62	61	60				58	57	56	55	54	53	
						52	51		49					44	43	42	41								37	36		34	
						73				32			29	28	27	26										21		19	18
SALEABLE	NOT APPLICABLE	34566-7043	0	B	ST GRY	72				68	67				63	62	61	60	59						55				
						52						46			43		41	40											
						73									27												20	19	18
SALEABLE	NOT APPLICABLE	34566-7053	0	C	BLUE		71		69			67		65	64		62	61	60				57		54				
						52	51	50	49	48	47	46	45	44		42	41								37		34	33	
						73				16	15	14	13	12	11	10	9	8	7										
SALEABLE	NOT APPLICABLE	34566-7063	0	C	BLUE	72		70		68	67	66			63	62			59			57				53			
						52	51			48	47	46		44				40	39								34	33	
						73				32		30				26	25					22	21						
SALEABLE	NOT APPLICABLE	34566-7073	9	F	NATURAL				69	68												58	57						
															43	42									38	37			33
						73							30															19	18
SALEABLE	NOT APPLICABLE	34566-7083	9	B	ST GRY																								
						73				16	15	14	13	12	11	10			8	7							3	2	1



### MX123 52/66/73/80-WAY RECEPTACLE ASSY SEALED PIN OUT SHEET

STATUS	GM PART #	HRNS CONN ASSY			TPA	GROMMET CAP																								
		MATERIAL/PART	WIRE DRESS OPTION	KEY OPTION △ Fp		COLOR OPTION △ Fp	NUMBERS INDICATE CAVITIES OPEN FOR CIRCUITS																							
		NUMBER					△ Fp																							
SALEABLE	NOT APPLICABLE	34566-7093	9	B	ST GRN	72	71	70	69	68	67	66	65	64	63					59							53			
						52	51	50	49	48	47	46	45	44	43							39							34	33
						73										32	31	30	29	28	27	26	25	24	23					
SALEABLE	NOT APPLICABLE	34566-7113	9	G	BLUE	80	79	78		76					71				67											
						60	59	58	57			54			51	50	49	48	47						44				41	
						40	39		37					33	32		30	29	28	27			25	24						
SALEABLE	NOT APPLICABLE	34566-7123	9	G	BLUE	80	79	78							71				67											
						60	59	58	57			54			51	50	49	48	47						44				41	
						40	39							33	32		30	29	28	27			25	24						
SALEABLE	NOT APPLICABLE	34566-7133	9	B	ST GRN																58					54	53			
						73																	27	25						
SALEABLE	NOT APPLICABLE	34566-7143	0	A	BLACK			70	69						63			60	59	58	57	56	55	54	53					
						52	51		49	48	47			44	43	42	41							37	36			34	33	
						73										32					28									19
SALEABLE	NOT APPLICABLE	34566-7153	0	C	BLUE	72		70				66				63	62			59	58	57					53			
						52	51		49	48	47	46		44			42		40	39			37	36				34	33	
						73										32		30				26	25	24		22	21		19	18
SALEABLE	NOT APPLICABLE	34566-7163	0	A	BLACK	72		70	69	68	67							61	60						56	55	54	53		
						52		50	49	48	47			45	44	43		41	40									35	34	33
						73										16	15					11			9	8	7	6	5	4
SALEABLE	NOT APPLICABLE	34566-7173	0	B	ST GRN					68	67	66	65	64	63					58							55			
												46	45		43							38							34	
						73										32		30	29	28	27							22		
SALEABLE	NOT APPLICABLE	34566-7183	0	B	ST GRN	72	71	70	69	68	67	66	65	64	63	62	61	60	59	58	57	56	55	54	53					
						52	51	50	49	48	47	46	45	44	43	42	41	40	39	38	37	36	35	34	33					
						73										32	31	30	29	28	27	26	25	24		22	21	20	19	18
SALEABLE	NOT APPLICABLE	34566-7193	0	A	BLACK			70	69																					
						52	51		49					44	43	42	41													
						73										32					29	28	27	26						
SALEABLE	NOT APPLICABLE	34566-7213	0	A	BLACK			70	69						63						58						54			
						52	51		49			47			44	43	42	41		39									34	
						73										32					28		26							
SALEABLE	NOT APPLICABLE	34566-7223	0	C	BLUE	72		70		68		66				63	62			59		57						53		
						52	51			48	47	46		44			42		40	39			37	36					34	33
						73										32		30				26	25	24		22	21	20		
SALEABLE	NOT APPLICABLE	34566-7233	9	A	BLACK	72											62	61							57	56	55	54		
						52	51					46	45		43			40												34
						73										32		30	29				25							
SALEABLE	NOT APPLICABLE	34566-7243	9	A	BLACK																									
						52	51			48		46	45		43			41	40											
						73										32		30	29				25							
SALEABLE	TBD	34822-0073	0	A	BLACK		63	62	61	60	59						54	53		51		49	66							
							47									38	37		35	33										
						65															28			25				22	21	20



MX123 52/66/73/80-WAY RECEPTACLE ASSY SEALED PIN OUT SHEET

STATUS	GM PART #	HRNS CONN ASSY			TPA	GROMMET CAP																					
		MATERIAL/PART	WIRE DRESS OPTION	KEY OPTION		COLOR OPTION	NUMBERS INDICATE CAVITIES OPEN FOR CIRCUITS																				
		NUMBER		△ Fp			△ Fp	△ Fp																			
SALEABLE	TBD	34822-0083	9	A	BLACK		63	62	61	60	59					54	53	51	49	66							
							47								39	38	37	35	33								
						65								28			25			22	21	20	19	18	17		
											15	14	13					8	7				3	2	1		
SALEABLE	NOT APPLICABLE	34566-7253	0	B	ST GR		72									62	61										
							52				48	47	46		44	43		41	40								
						73																20	19	18			
											16		14									4					
SALEABLE	NOT APPLICABLE	34566-7263	0	C	BLUE				69		67	66		64		62		60				57			54		
							52	51	50		48		46	45	44		42						37		34	33	
						73								28	27	26									18		
											16	15	14	13	12	11	10	9	8	7							
SALEABLE	NOT APPLICABLE	34566-7273	0	C	BLUE				69		67	66		64		62		60				57		55	54		
							52	51	50		48		46	45	44		42						37		35	34	
						73								28	27	26									18		
											16	15	14	13	12	11	10	9	8	7							
SALEABLE	NOT APPLICABLE	34566-7283	0	C	BLUE				69		67	66		64			61	60				57			54		
							52	51	50	49	48		46	45	44		41						37		34	33	
						73								28	27		25								18		
											16	15	14	13	12	11	10	9	8	7							
SALEABLE	NOT APPLICABLE	34566-7293	9	A	BLACK		72	71	70	69	68	67	66	65	64	63						59			53		
							52	51	50	49	48	47	46	45	44	43							39		34	33	
						73					32	31	30	29	28	27	26	25	24	23					17		
											16	15	14	13	12	11	10		8	7				3	2	1	
SALEABLE	NOT APPLICABLE	34566-7313	0	B	ST GR		72									62	61								55		
							52				48	47	46			43											
						73																					
											16		14									6	21	20	19	18	
																							4				
SALEABLE	NOT APPLICABLE	34566-7333	9	B	ST GR		72	71	70	69	68	67	66	65	64	63	62	61	60	59		57	56	55			
							52	51	50	49	48	47	46	45	44	43		41	40	39	38	37	36	35	34	33	
						73					32	31	30	29	28		26		24	23	22	21	20	19	18	17	
											16	15	14	13	12	11		9	8	7	6	5	4	3	2	1	
SALEABLE	NOT APPLICABLE	34566-7343	9	B	ST GR						68	67			64	63					59	58			55	54	
													46	45	44	43									35		
						73					32		30	29	28	27						23	22		19	17	
												15		13	12		10	9				6		4		1	
SALEABLE	NOT APPLICABLE	34566-7353	9	C	BLUE				69		67	66		64		62		60				57		55	54		
							52	51	50		48	47	46	45	44		42						37		35	34	33
						73								28	27	26								19	18	17	
											16	15	14	13	12	11	10	9	8	7							
SALEABLE	NOT APPLICABLE	34566-7363	0	B	ST GR				70								62	61	60	59					55		
							52						46		44	43		41	40								
						73																					
											16	15	14					8						4			
SALEABLE	NOT APPLICABLE	34566-7373	0	A	BLACK		72	71	70	69	68		66	65	64		61	60				57	56		54	53	
							52	51	50	49	48		46	45	44	43	42		40	39	38	37	36		34	33	
						73							31	30	29	28		26	25		23	22	21	20			
												15	14	13	12			9		7	6	5	4		2		
SALEABLE	NOT APPLICABLE	34566-7383	0	C	BLUE			71	70			67	66	65	64			61	60				57		54		
							52	51	50	49	48	47		45	44			41				37			34	33	
						73								28	27		25								17		
											16	15	14	13	12	11	10	9	8	7							
SALEABLE	NOT APPLICABLE	34566-7393	0	B	ST GR		72										62	61							55		
							52				48	47	46		44	43											
						73																					
											16	15	14											4			
SALEABLE	NOT APPLICABLE	34566-7413	0	A	BLACK		72	71	70	69	68		66	65	64	63		61	60				57	56		54	53
								51	50	49	48		46	45	44	43	42		40	39	38	37	36		34	33	
						73																					
											32	31	30	29	28		26	25		23	22	21	20				
												15	14	13	12			9		7	6	5	4		2		

MX123 52/66/73/80-WAY RECEPTACLE ASSY SEALED PIN OUT SHEET

STATUS	GM PART #	HRNS CONN ASSY			TPA	GROMMET CAP																				
		MATERIAL/PART	WIRE DRESS OPTION	KEY OPTION Fp	COLOR OPTION Fp	NUMBERS INDICATE CAVITIES OPEN FOR CIRCUITS																				
		NUMBER				Fp																				
SALEABLE	NOT APPLICABLE	34566-7423	0	C	BLUE	52	51	70	69	48	67	46	45	64	61	60	57	54	33	34	18	17				
						73				32	28	27	25	37												
										16	15	14	13	12	11	10	9	8	7							
SALEABLE	NOT APPLICABLE	34566-7433	0	B	ST GRAY	72				68					62	61	60	59			55					
						52				48	47	46		44	43		41	40		38	37	36	35			
						73								30							20	19	18	17		
SALEABLE	NOT APPLICABLE	34566-7443	0	A	BLACK	72	71	70	69	68		66	65	64	63		60		57	56		54				
						52	51	50	49	48		46	45	44	43	42		40	39	38	37	36		34		
						73						31	30	29	28		26	25		23	22	21	20			
SALEABLE	NOT APPLICABLE	34566-7453	0	C	BLUE		71	70			67	66	65	64		61	60		58	57		54				
						52	51	50	49	48	47		45	44		41			38	37			34	33		
						73								28	27		25								18	17
SALEABLE	NOT APPLICABLE	34566-7463	0	B	ST GRAY					68					62	61					55					
						52				48	47	46		43			40									
						73								30						22	21	20	19	18		
SALEABLE	NOT APPLICABLE	34566-7473	0	B	ST GRAY					68	67				63	62	61				55					
						52				48	47	46		43			40									
						73								30		27				22	21	20	19	18		
SALEABLE	NOT APPLICABLE	34566-7483	0	B	ST GRAY					68					62	61					55					
						52				48	47	46		43			40									
						73								30						22	21	20	19	18	17	
SALEABLE	NOT APPLICABLE	34566-7493	0	C	BLUE				69		67			64		62		60		57		55	54			
						52	51	50		48	47	46	45	44		42					37		35	34	33	
						73								32			28	27	26					19	18	17
SALEABLE	NOT APPLICABLE	34566-7513	9	A	BLACK	72	71	70	69	68		66	65	64	63		61	60		57	56		54	53		
						52	51	50	49	48		46	45	44	43		40	39	38	37	36		34	33		
						73						32	31	30	29	28				23	22	21	20			
SALEABLE	NOT APPLICABLE	34566-7523	0	A	BLACK	72								64		62	61		59	58	57	56	55	54		
						52	51			48	47	46	45		43		41	40		37						33
						73								32		30	29		27	26	25	24			20	
SALEABLE	NOT APPLICABLE	34566-7533	0	G	BLUE	80	79	78							71	70		67								
						60	59	58	57			54			51	50	49	48	47		45	44		42	41	
						40	39		37	36		34	33	32		30	29	28	27		25	24	23	22	21	
SALEABLE	NOT APPLICABLE	34566-7563	0	C	BLUE	20	19	18						13	12	11		9	8		5		3	2	1	
						73																				
SALEABLE	NOT APPLICABLE	34566-7543 SAME AS P/N 34566-1553	0	A	BLACK																					
SALEABLE	NOT APPLICABLE	34566-7553 SAME AS P/N 34566-1983	0	B	ST GRAY																					
SALEABLE	NOT APPLICABLE	34566-7563 SAME AS P/N 34566-1993	0	C	BLUE																					
SALEABLE	NOT APPLICABLE	34566-7573	0	B	ST GRAY	72		70		68					62	61					55					
						52				48	47	46		43			40									
						73								30						22	21	20	19	18	17	

MX123 52/66/73/80-WAY RECEPTACLE ASSY SEALED PIN OUT SHEET

STATUS	GM PART #	HRNS CONN ASSY			TPA	GROMMET CAP																								
		MATERIAL/PART	WIRE DRESS OPTION	KEY OPTION	COLOR OPTION	NUMBERS INDICATE CAVITIES OPEN FOR CIRCUITS																								
		NUMBER		Fp	Fp	Fp																								
SALEABLE	NOT APPLICABLE	34566-7583	9	A	BLACK	72		70			67				63			60	59	58	57									
						52				48	47	46			43	42		40	39	38	37			22	21					
						73				32	31	30	29	28	27				9		7							2	1	
										16	15	14	13	12	11															
SALEABLE	NOT APPLICABLE	34566-7593	9	A	BLACK	72		70	69	68				64		62	61		59	58	57	56	55	54	53					
						52	51	50		48	47	46	45		43		41	40					37							
						73				32		30	29		27	26	25	24				20	19	18						
										16	15	14	13	12	11	10	9	8				5	4	3	2	1				
SALEABLE	TBD	34822-0093	9	A	BLACK	63	62	61		60	59				54	53		51		49										
						47										38	37		35				33							
						65								28				22	21		20	19	18	17						
											15	14	13					8	7								3	2	1	
SALEABLE	TBD	34822-0103	0	A	BLACK	63					58	57	56	55	54	53		51		49										
						47									41	40		38	37		35		33							
						65								28	27	26	25			22							18	17		
												14							7							4	3	2	1	
SALEABLE	TBD	34822-0113	9	A	BLACK				61	60	59	58		56	55				51		49									
						65																						17		
																	10		8											2
SALEABLE	NOT APPLICABLE	34822-0123	9	C	BLUE	64	63	62	61	60					55	54														
						48	47	46	45				42		39			36	35											
						65					31				27											19				
										16						10				6			4						1	
SALEABLE	NOT APPLICABLE	34566-7613	9	H	ST GRAY	80	79	78			75				71	70			67											
						60	59		57			54			51	50	49	48	47		45	44		42	41					
						40	39		37	36		34	33	32		30	29	28	27		25	24	23	22	21					
						20		18					13	12	11		9	8			5						3	2	1	
SALEABLE	NOT APPLICABLE	34566-7623	9	G	BLUE	80	79	78			75				71	70			67											
						60	59	58	57			54			51	50	49	48	47		45	44		42	41					
						40	39		37	36		34	33	32		30	29	28	27		25	24	23	22	21					
						20	19	18					13	12	11		9	8			5						3	2	1	
SALEABLE	TBD	34822-0133	0	C	BLUE	64	63	62	61	60					55	54														
						48	47	46	45						39			36	35											
						65					31				27											19				
										16						10				6			4					1		
SALEABLE	NOT APPLICABLE	34566-7633	9	A	BLACK	72	71	70	69	68	67	66	65	64	63			60	59	58	57	56	55	54						
						52	51	50	49	48	47	46	45	44	43	42	41	40	39	38	37	36	35	34						
						73				32	31	30	29	28	27	26	25		23	22	21	20			18	17				
										16	15	14	13	12	11		9		7	6	5	4						2	1	
SALEABLE	NOT APPLICABLE	34566-7643	9	B	ST GRAY							46	45					59	58											
						73				32		30	29	28	27				23	22								17		
																10				7									1	
SALEABLE	TBD	34822-0143	0	A	BLACK				61	60	59	58		56	55				51		49									
						65																						17		
										32																			2	
SALEABLE	NOT APPLICABLE	34566-7653	0	B	ST GRAY	72		70								62	61									55				
						52				48	47	46			43			40												
						73														22	21	20	19	18						
										16	15	14									6		4					2		
SALEABLE	NOT APPLICABLE	34566-7663	0	B	ST GRAY	72		70			68				62	61	60	59				55								
						52				48	47	46		44	43		41	40					38	37	36	35				
						73																						17		
										16	15	14						8		6		4						1		
SALEABLE	NOT APPLICABLE	34566-7673	0	C	BLUE		71	70	69		67	66	65	64			61	60	59	58	57				54					
						52	51	50	49	48	47	46	45	44			41		39	38	37									
						73								28	27													18	17	
										16	15	14	13	12	11	10	9	8	7											

MX123 52/66/73/80-WAY RECEPTACLE ASSY SEALED PIN OUT SHEET

STATUS	GM PART #	HRNS CONN ASSY			TPA	GROMMET CAP																					
		MATERIAL/PART	WIRE DRESS OPTION	KEY OPTION Fp	COLOR OPTION Fp	NUMBERS INDICATE CAVITIES OPEN FOR CIRCUITS																					
		NUMBER				Fp																					
SALEABLE	NOT APPLICABLE	34566-7683	9	B	ST GRAY	72	71	70	69	68	67	66	65	64	63	62	61	60	59		57	56	55				
						52	51	50	49	48	47	46	45	44	43		26	25	24	23	22	21	20	19	18	17	
						73				32	31	30	29	28		11		9	8	7	6	5	4	3	2	1	
SALEABLE	NOT APPLICABLE	34566-7693	9	A	BLACK	72							64		62	61			57	56	55	54					
						52	51					46	45		43		40			37		35	34				
						73				32	31	30	29	27	25						20						
SALEABLE	NOT APPLICABLE	34566-7713	9	A	BLACK	72							64		62	61			58	57	56	55	54				
						52	51			48		46	45		43		41	40		37		35	34				
						73				32		30	29	27	25					20							
SALEABLE	NOT APPLICABLE	34566-7723	9	A	BLACK	72							64		62	61			57	56	55	54	53				
						52	51			48		46	45		43		41	40		37		35	34				
						73				32		30	29	27	25					20							
SALEABLE	NOT APPLICABLE	34566-7733	9	A	BLACK	72							64		62	61			57	56	55	54	53				
						52	51			48		46	45		43		41	40		37		35	34				
						73				32		30	29	27	25					20							
SALEABLE	NOT APPLICABLE	34566-7743	0	C	BLUE	72		70		68	67	66		64	63	62	61	60	59	57							
						52	51		49	48	47	46		44		41	40	39		37	36	35	34	33			
						73				32		30		27	26	25	24		22	21	20						
SALEABLE	NOT APPLICABLE	34566-7753	0	A	BLACK		71	70	69	68	67			64	63	62	61	60	59	58	57	56	55	54	53		
						52	51	50	49			45	44	43	42	41		39	38	37	36		34				
						73				32	31		29	28	27	26	25					19	18				
SALEABLE	NOT APPLICABLE	34566-7763	0	F	NATURAL																						
						73																					
SALEABLE	NOT APPLICABLE	34566-7773	0	B	ST GRAY	72		70							63	62	61	60	59								
						52						46			43		41	40									
						73				16		14			11				6	5	4						
SALEABLE	TBD	34822-0153	9	A	BLACK		63	62	61	60	59					54	53		51		49	66					
							47								38	37		35		33							
						65						15	14	13			28		25		22	21	20	19	18	17	
SALEABLE	NOT APPLICABLE	34566-7783	0	A	BLACK	72	71	70	69	68		66	65	64	63			60	59		57	56		54			
						52	51	50	49	48		46	45	44	43	42	41	40	39	38	37	36		34			
						73				32	31	30	29	28			26	25		23	22	21					2
SALEABLE	NOT APPLICABLE	34566-7793	0	A	BLACK	72		70			67	66	65		63			60	59	58	57	56	55				
						52	51		49	48	47	46	45		43	42		40	39	38	37	36	35				
						73								28	27			23	22	21						18	17
SALEABLE	NOT APPLICABLE	34566-7813	0	A	BLACK			70	69	68	67				63	62	61	60	59	58	57	56	55	54	53		
						52	51	50	49					44	43	42	41	40	39	38	37	36		34			
						73				32			29	28	27	26	25				21		19	18			
SALEABLE	NOT APPLICABLE	34566-7823	0	B	ST GRAY					68	67				63	62	61	60	59								
						52				48	47	46		44	43		41	40		38	37	36	35				
						73				16		14			11			8			4						1
SALEABLE	NOT APPLICABLE	34566-7833	0	B	ST GRAY	72	71	70	69	68	67	66	65	64	63		61	60	59		57	56	55				
						52	51	50	49	48	47	46	45	44	43		41	40	39	38	37	36	35	34	33		
						73				32	31	30	29	28			26	25	24	23	22	21	20	19	18	17	

MX123 52/66/73/80-WAY RECEPTACLE ASSY SEALED PIN OUT SHEET

STATUS	GM PART #	HRNS CONN ASSY			TPA	GROMMET CAP																			
		MATERIAL/PART	WIRE DRESS OPTION	KEY OPTION Fp	COLOR OPTION Fp	NUMBERS INDICATE CAVITIES OPEN FOR CIRCUITS																			
		NUMBER				Fp																			
SALEABLE	NOT APPLICABLE	34566-7843	9	C	BLUE	52	71	50	49	48	67	47	65	64	45	44	62	61	60	58	57	54	33		
						73				16	15	14	13	12	11	10	9	39	38	37	34	33			
						72	71	70	69	68	67	66	64	63	62	61	60	59	57	56	55	54	53	52	51
SALEABLE	NOT APPLICABLE	34566-7853	9	C	BLUE	52	71	50	49	48	67	47	65	64	45	44	62	61	60	58	57	54	33		
						73				16	15	14	13	12	11	10	9	39	38	37	34	33			
						72	71	70	69	68	67	66	64	63	62	61	60	59	57	56	55	54	53	52	51
SALEABLE	NOT APPLICABLE	34566-7863	9	C	BLUE	52	71	50	49	48	67	47	65	64	45	44	62	61	60	58	57	54	33		
						73				16	15	14	13	12	11	10	9	39	38	37	34	33			
						72	71	70	69	68	67	66	64	63	62	61	60	59	57	56	55	54	53	52	51
SALEABLE	NOT APPLICABLE	34566-7873	9	A	BLACK	52	71	50	49	48	67	47	65	64	45	44	62	61	60	58	57	54	33		
						73				16	15	14	13	12	11	10	9	39	38	37	34	33			
						72	71	70	69	68	67	66	64	63	62	61	60	59	57	56	55	54	53	52	51
SALEABLE	NOT APPLICABLE	34566-7883	9	A	BLACK	52	71	50	49	48	67	47	65	64	45	44	62	61	60	58	57	54	33		
						73				16	15	14	13	12	11	10	9	39	38	37	34	33			
						72	71	70	69	68	67	66	64	63	62	61	60	59	57	56	55	54	53	52	51
SALEABLE	NOT APPLICABLE	34566-7893	9	A	BLACK	52	71	50	49	48	67	47	65	64	45	44	62	61	60	58	57	54	33		
						73				16	15	14	13	12	11	10	9	39	38	37	34	33			
						72	71	70	69	68	67	66	64	63	62	61	60	59	57	56	55	54	53	52	51
SALEABLE	TBD	34822-0163	0	A	BLACK	52	71	50	49	48	67	47	65	64	45	44	62	61	60	58	57	54	33		
						73				16	15	14	13	12	11	10	9	39	38	37	34	33			
						72	71	70	69	68	67	66	64	63	62	61	60	59	57	56	55	54	53	52	51
SALEABLE	NOT APPLICABLE	34566-7913	9	G	BLUE	52	71	50	49	48	67	47	65	64	45	44	62	61	60	58	57	54	33		
						73				16	15	14	13	12	11	10	9	39	38	37	34	33			
						72	71	70	69	68	67	66	64	63	62	61	60	59	57	56	55	54	53	52	51
SALEABLE	NOT APPLICABLE	34566-7923	0	C	BLUE	52	71	50	49	48	67	47	65	64	45	44	62	61	60	58	57	54	33		
						73				16	15	14	13	12	11	10	9	39	38	37	34	33			
						72	71	70	69	68	67	66	64	63	62	61	60	59	57	56	55	54	53	52	51
SALEABLE	NOT APPLICABLE	34566-7933	0	A	BLACK	52	71	50	49	48	67	47	65	64	45	44	62	61	60	58	57	54	33		
						73				16	15	14	13	12	11	10	9	39	38	37	34	33			
						72	71	70	69	68	67	66	64	63	62	61	60	59	57	56	55	54	53	52	51
SALEABLE	NOT APPLICABLE	34566-7943	0	B	ST GRAY	52	71	50	49	48	67	47	65	64	45	44	62	61	60	58	57	54	33		
						73				16	15	14	13	12	11	10	9	39	38	37	34	33			
						72	71	70	69	68	67	66	64	63	62	61	60	59	57	56	55	54	53	52	51
SALEABLE	NOT APPLICABLE	34566-7953	0	B	ST GRAY	52	71	50	49	48	67	47	65	64	45	44	62	61	60	58	57	54	33		
						73				16	15	14	13	12	11	10	9	39	38	37	34	33			
						72	71	70	69	68	67	66	64	63	62	61	60	59	57	56	55	54	53	52	51
SALEABLE	NOT APPLICABLE	34566-7963	9	A	BLACK	52	71	50	49	48	67	47	65	64	45	44	62	61	60	58	57	54	33		
						73				16	15	14	13	12	11	10	9	39	38	37	34	33			
						72	71	70	69	68	67	66	64	63	62	61	60	59	57	56	55	54	53	52	51
SALEABLE	NOT APPLICABLE	34566-7973	9	B	ST GRAY	52	71	50	49	48	67	47	65	64	45	44	62	61	60	58	57	54	33		
						73				16	15	14	13	12	11	10	9	39	38	37	34	33			
						72	71	70	69	68	67	66	64	63	62	61	60	59	57	56	55	54	53	52	51
SALEABLE	NOT APPLICABLE	34566-7983	9	B	ST GRAY	52	71	50	49	48	67	47	65	64	45	44	62	61	60	58	57	54	33		
						73				16	15	14	13	12	11	10	9	39	38	37	34	33			
						72	71	70	69	68	67	66	64	63	62	61	60	59	57	56	55	54	53	52	51



MX123 52/66/73/80-WAY RECEPTACLE ASSY SEALED PIN OUT SHEET

STATUS	GM PART #	HRNS CONN ASSY			TPA	GROMMET CAP																							
		MATERIAL/PART	WIRE DRESS OPTION	KEY OPTION Fp	COLOR OPTION Fp	NUMBERS INDICATE CAVITIES OPEN FOR CIRCUITS																							
		NUMBER				Fp																							
SALEABLE	NOT APPLICABLE	34566-7993	9	C	BLUE			70	69		67	66		64			61	60			57			54					
						52	51	50	49	48	47	46	45	44			41						37					34	33
						73				32				28	27		25												18
SALEABLE	NOT APPLICABLE	34566-8013	9	C	BLUE		71				67		65	64			61	60	59		57				54				
						52	51	50		48	47		45	44			41			39		37					34	33	
						73				32				28	27		25			23									18
SALEABLE	TBD	34822-0173	9	A	BLACK	64						58	57	56	55	54			52		50								
						48		46	45	44	43	42	41	40					36		34								66
						65				32	31	30	29		27	26		24	23										
SALEABLE	NOT APPLICABLE	34566-8023	9	C	BLUE	72			69	68					63	62			59			56	55		53				
												46			43	42		40	39					36	35				
						73					31	30	29			26		24	23	22	21	20	19						
SALEABLE	NOT APPLICABLE	34566-8033	9	B	ST GRY		71	70	69		67	66	65	64	63					58	57	56			54				
							51	50	49				45			42			39								34	33	
						73				32	31		29	28	27	26	25	24	23										
SALEABLE	NOT APPLICABLE	34566-8043	9	A	BLACK						67					62	61		59	58				55	53				
											47					42										35	33		
						73									27	26	25	24					20	19	18	17			
SALEABLE	NOT APPLICABLE	34566-8053	9	A	BLACK	72				68	67	66						59											
												46					40		38			35		33					
						73					31						25	23	22	21	20	19							
SALEABLE	NOT APPLICABLE	34566-8063	9	C	BLUE		71		69				65	64			61	60		58		56	55	54					
								50				45		43	42				38			35							
						73					31		29	28					23				19	18	17				
SALEABLE	NOT APPLICABLE	34566-8073	9	B	ST GRY				69				65	64	63														
									49			45	44	43															
						73								12	11		9		7	6	5	4							
SALEABLE	NOT APPLICABLE	34566-8083	9	B	ST GRY										62		59	58						54	53				
															42		39												
						73									27														
SALEABLE	NOT APPLICABLE	34566-8093	9	A	BLACK		71		69	68		66	65	64		62	61								54	53			
								50	49			45	44			41											34	33	
						73				32	31	30	29		26	25	24	23			20	19							
SALEABLE	NOT APPLICABLE	34566-8113	9	C	BLUE					68					63	62	61	60	59	58	57		55		53				
										48					43	42	41	40		37	36	35					33		
						73				32					27			24			20	19	18						
SALEABLE	NOT APPLICABLE	34566-8123	0	G	BLUE	80	79						73	72		70	69	68	67	66	65	64		62	61				
							59					53	52							46		44		42	41				
										36	35	34										25	24	23	22	21			
SALEABLE	NOT APPLICABLE	34566-8133	0	G	BLUE		19			16	15	14																	
						80	79	78	77	75		72	71	70	69	68		66											
						60	59	58	57	56	55		53		51	50	49	48	47	46	45	44							
SALEABLE	NOT APPLICABLE	34566-8143	0	G	BLUE	40	39		37	36	35	34		32	31	30	29	28		26		24	23	22	21				
								19	18	17							11						4	3			1		
						80	79	78	77	76	75	74	73	72		70	69	68	67	66	65	64	63	62	61				
SALEABLE	NOT APPLICABLE	34566-8143	0	G	BLUE	60	59	58	57	56	55	54	53	52	51	50		48	47	46	45	44	43	42	41				
						40	39	38	37	36	35	34	33	32	31	30	29	28	27	26	25	24	23	22	21				
						20	19	18	17	16	15	14	13	12	11	10	9	8	7	6	5	4	3	2	1				

MX123 52/66/73/80-WAY RECEPTACLE ASSY SEALED PIN OUT SHEET

STATUS	GM PART #	HRNS CONN ASSY			TPA	GROMMET CAP																					
		MATERIAL/PART	WIRE DRESS OPTION	KEY OPTION Fp	COLOR OPTION Fp	NUMBERS INDICATE CAVITIES OPEN FOR CIRCUITS																					
		NUMBER				Fp																					
SALEABLE	NOT APPLICABLE	34566-8153	0	C	BLUE	72	71	70	69	68	67	66	65	64	63	62	61	60	59	58	57	56	55	34	33		
						52	51	50					28	27												35	18
						73				16		14	13													3	
SALEABLE	NOT APPLICABLE	34566-8163	9	B	ST GRAY					68	67			64	63			59	58			55	54				
											47	46	45	44	43			39	38					35			
						73				32	31	30	29	28	27			23	22					19		17	
SALEABLE	NOT APPLICABLE	34566-8173	0	B	ST GRAY	72		70		68	67				63	62	61	60	59								
						52						46			43		41	40									
						73										27				22	21	20	19	18			
SALEABLE	NOT APPLICABLE	34566-8183	9	H	ST GRAY																						
						73				16		14				11			8		6		4				
SALEABLE	NOT APPLICABLE	34566-8193	0	G	BLUE		79	78	77	76	75	74			71				67		65		63				
						60	59	58	57	56	55	54		52					47		45		43				
						40		38	37				33	32	31	30	29		27	26							
SALEABLE	NOT APPLICABLE	34566-8213	0	H	ST GRAY								74	73					67		65	64	63	62	61		
														53	52								44	43	42	41	
						73														27		25					
SALEABLE	NOT APPLICABLE	34566-8223	9	A	BLACK	72										62	61		59		57		55				
						52	51											40				37					
						73				32				29					25					20			
SALEABLE	NOT APPLICABLE	34566-8233	9	G	BLUE				77	76	75	74	73	72		70	69	68		66	65	64	63	62	61		
										56	55		53	52						46	45		43	42			
								38	37	36	35	34			31					26				23	22	21	
SALEABLE	NOT APPLICABLE	34566-8243	9	G	BLUE	20	19			17	16	15	14	13		10			7	6		4			1		
						73																					
SALEABLE	NOT APPLICABLE	34566-8253	9	G	BLUE				77	76	75	74	73	72		70	69	68		66	65	64	63	62	61		
										56	55		53	52						46	45		43	42			
								38	37	36	35	34			31					26				23	22	21	
SALEABLE	NOT APPLICABLE	34566-8263	9	G	BLUE	20	19			17	16	15	14	13		10			7	6		4			1		
						73																					
SALEABLE	NOT APPLICABLE	34566-8273	9	G	BLUE				77	76	75	74	73	72		70	69	68		66	65	64	63	62	61		
										56	55		53	52						46	45		43	42			
								38	37	36	35	34			31					26				23	22	21	
SALEABLE	NOT APPLICABLE	34566-8283	9	G	BLUE	80	79	78							71				67								
						60	59	58	57			54			51	50	49	48	47				44			41	
						40	39						33	32		30	29	28	27			25	24				
SALEABLE	NOT APPLICABLE	34566-8283	9	G	BLUE			18							12	11		9	8			5		3	2		
						73																					
SALEABLE	NOT APPLICABLE	34566-8293	9	A	BLACK		71	70	69	68	67	66	65		63			60	59	58							
								50	49	48	47			44		42			39	38			36	35	34	33	
						73								31				28		26			24	23	22	21	19
SALEABLE	NOT APPLICABLE	34566-8313	9	A	BLACK		71	70	69		67	66	65		63			60	59	58							
								50	49	48	47			44		42	41		39	38			36	35	34	33	
						73								31				28		26			24	23	22	21	19

MX123 52/66/73/80-WAY RECEPTACLE ASSY SEALED PIN OUT SHEET

STATUS	GM PART #	HRNS CONN ASSY			TPA	GROMMET CAP																						
		MATERIAL/PART	WIRE DRESS OPTION	KEY OPTION Fp		COLOR OPTION Fp	NUMBERS INDICATE CAVITIES OPEN FOR CIRCUITS																					
		NUMBER					Fp																					
SALEABLE	NOT APPLICABLE	34566-8323	9	A	BLACK	71	70	69	68	67	66	65		63			60							53				
								50	49		47			44			42			39	38			36			33	
						73					31			28			26			24	23	22	21			19	18	17
SALEABLE	NOT APPLICABLE	34566-8333	9	A	BLACK	71	70	69	68	67	66	65		63			60							53				
								50	49	48	47			44			42	41		39	38			36			33	
						73					31			28			26			24	23	22	21			19	18	17
SALEABLE	NOT APPLICABLE	34566-8343	9	A	BLACK	71	70	69	68	67	66	65		63			60	59										
								50	49		47			44			42			39	38			36	35	34	33	
						73					31			28			26			24	23	22	21			19	18	17
SALEABLE	NOT APPLICABLE	34566-8353	9	A	BLACK	72								64		62	61						57	56	55	54	53	
						52	51						46	45		43			41	40				37				
						73					32			30	29			27			25					20		
SALEABLE	NOT APPLICABLE	34566-8363	9	A	BLACK	72								64		62	61						57	56	55	54	53	
						52	51						46	45		43			40					37				
						73					32			30	29			27			25					20		
SALEABLE	NOT APPLICABLE	34566-8373	9	A	BLACK	72								64		62	61						57	56	55	54	53	
						52	51						46	45		43			40					37				
						73					32			30	29			27			25					20		
SALEABLE	NOT APPLICABLE	34566-8383	9	A	BLACK	72								64		62	61						57	56	55	54	53	
						52	51						46	45		43			40					37				
						73					32			30	29			27			25					20		
SALEABLE	NOT APPLICABLE	34566-8393	0	A	BLACK	72		70						64		62	61						57	56	55	54	53	
						52	51		49	48						43									36	35	34	33
						73					31	30	29	28	27			24	23	22	21	20	19	18	17			
SALEABLE	NOT APPLICABLE	34566-8413	0	A	BLACK	72		70						64		62	61						56	55	54	53		
						52	51		49	48						43									36	35	34	33
						73					31	30	29	28	27			24	23	22	21	20	19	18	17			
SALEABLE	NOT APPLICABLE	34566-8423	0	C	BLUE				69					64		62	61	60					57			54		
						52	51	50	49	48			46	45	44			42	41					37			34	33
						73								28	27	26	25											
SALEABLE	NOT APPLICABLE	34566-8433	0	H	ST GRAY		79	78	77																61			
						20																				9		5
SALEABLE	NOT APPLICABLE	34566-8443	0	C	BLUE		71	70																	54			
						52	51	50		48	47		45	44				41		39	38	37					34	33
						73					32			28	27			25		23								18
SALEABLE	NOT APPLICABLE	34566-8453	0	A	BLACK	72	71	70	69	68															54			
						52	51	50	49	48			46	45	44	43	42			40	39	38	37	36			34	
						73					32	31	30	29	28					23	22	21	20					
SALEABLE	NOT APPLICABLE	34566-8463	0	B	ST GRAY	72		70																	55			
						52				48	47	46		44	43				41	40							35	
						73							30								22	21	20	19	18			1
SALEABLE	NOT APPLICABLE	34566-8473	0	C	BLUE		71	70																	54			
						52	51	50	49	48	47		45	44				42	41								34	33
						73					32			28	27	26	25											19

MX123 52/66/73/80-WAY RECEPTACLE ASSY SEALED PIN OUT SHEET

STATUS	GM PART #	HRNS CONN ASSY			TPA	GROMMET CAP																					
		MATERIAL/PART	WIRE DRESS OPTION	KEY OPTION Fp	COLOR OPTION Fp	NUMBERS INDICATE CAVITIES OPEN FOR CIRCUITS																					
		NUMBER				Fp																					
SALEABLE	NOT APPLICABLE	34566-8483	0	A	BLACK	72	71	70	69	68		66	65	64	63		61	60			57	56		54	53		
						52	51	50	49	48		46	45	44	43	42			40	39	38	37	36		34	33	
						73				32	31	30	29	28						23	22	21	20				2
SALEABLE	NOT APPLICABLE	34566-8493	0	B	ST GRAY	72		70		68	67					62	61	60	59				55				
						52				48	47	46		44	43			40									33
						73						30								22	21	20	19	18	17		
SALEABLE	NOT APPLICABLE	34566-8513	9	A	BLACK	72	71	70	69	68		66	65	64	63		61	60			57	56		54	53		
						52	51	50	49	48		46	45	44	43			40	39	38	37	36		34	33		
						73				32	31	30	29	28					24	23	22						
SALEABLE	NOT APPLICABLE	34566-8523	9	B	ST GRAY	72		70		68						62	61						55				
						52				48	47	46			43			40									
						73						30								22	21	20	19	18	17		
SALEABLE	NOT APPLICABLE	34566-8533	9	C	BLUE			70		67	66	65	64			61	60			57			54				
						52	51	50	49	48	47		45	44			41				37				34	33	
						73				32				28	27			25									18
SALEABLE	NOT APPLICABLE	34566-8543	9	C	BLUE		71		69		67	66	65	64			60			57			54				
						52	51	50	49	48	47	46	45	44							37				34	33	
						73				32				28	27												
SALEABLE	NOT APPLICABLE	34566-8553	0	B	ST GRAY					67	66	65	64			61	60			57			54				
						52	51	50	49	48	47		45	44			41				37				34	33	
						73				32				28	27			25									18
SALEABLE	NOT APPLICABLE	34566-8563	0	A	BLACK					67						60			57			54					
						52	51	50	49	48	47	46	45	44							37				34	33	
						73				32				28	27												
SALEABLE	NOT APPLICABLE	34566-8573	0	B	ST GRAY	72	71	70	69	68	67	66	65	64	63		61	60	59		57	56	55				
						52	51	50	49	48	47	46	45	44	43		41	40	39	38	37	36	35			33	
						73				32	31	30	29	28				26		24	23	22	21	20	19		
SALEABLE	NOT APPLICABLE	34566-8583	0	C	BLUE	72	71	70	69		67	66	65	64			60				56			54			
						52	51	50	49		47	46	45	44			40	39	38						34		
						73					31	30		28		26	25	24	23	22	21						17
SALEABLE	NOT APPLICABLE	34566-8593	0	B	ST GRAY	72				68						62	61	60	59				55				
						52				48	47	46			43		41	40			38	37	36	35			
						73						30								22	21	20	19	18			
SALEABLE	TBD	34822-0183	0	A	BLACK	64	63	62	61	60	59					54	53		51		49	66					
																38	37		35		33	66					
						65					15	14	13						8	7			4	3	2	1	
SALEABLE	TBD	34822-0193	0	A	BLACK	64	63								54	53		51		49	66						
															38	37		35		33	66						
						65							28					24	23		21	20	19	18	17		
SALEABLE	TBD	34822-0203	0	A	BLACK					15	14	13					8	7			4	3	2	1			
						64	63	62	61	60	59					54	53		51		49	66					
																38	37		35		33	66					
SALEABLE	TBD	34822-0213	0	A	BLACK					31			28				24	23	22	21	20	19	18	17			
																		8	7			4		2	1		
						65					31							24	23	22	21	20	19	18	17		

MX123 52/66/73/80-WAY RECEPTACLE ASSY SEALED PIN OUT SHEET

STATUS	GM PART #	HRNS CONN ASSY			TPA	GROMMET CAP																				
		MATERIAL/PART	WIRE DRESS OPTION	KEY OPTION Fp	COLOR OPTION Fp	NUMBERS INDICATE CAVITIES OPEN FOR CIRCUITS																				
		NUMBER				Fp																				
SALEABLE	NOT APPLICABLE	34566-8613	0	C	BLUE	52	71	70			67	66	65	64			61	60	59	58	57			54		
										48	47			45	44			41	40	39	38	37			34	33
						73				32				28	27			25		23						18
SALEABLE	NOT APPLICABLE	34566-8623	9	C	BLUE					68			65		63	62	61		59	58	57	56	55		53	
										48			45		43	42	41					37	36	35	34	33
						73				32	31												20	19	18	
SALEABLE	NOT APPLICABLE	34566-8633	0	B	ST GRAY	72										62	61									
						52				48	47	46			43			40								
						73							30								22	21	20	19	18	17
SALEABLE	NOT APPLICABLE	34566-8643	0	C	BLUE		71	70			67	66		64			61	60			57			54		
						52	51	50	49	48			45	44			41			37					34	33
						73				32				28	27			25								18
SALEABLE	NOT APPLICABLE	34566-8653	9	C	BLUE		71		69		67	66	65	64	63		61	60			57					
						52	51	50		48	47	46	45		43		41			37					34	33
						73								28	27			25								
SALEABLE	NOT APPLICABLE	34566-8663	0	B	ST GRAY	72	71	70	69					64	63		61	60			58	57	56	55		
						52	51	50	49					43								38	37	36		33
						73				32			30	29	28		26	25	24	23	22	21	20			
SALEABLE	NOT APPLICABLE	34822-0223	0	A	BLACK	64	63	62	61	60	59					54	53		51		49	66				
														38	37		35		33							
						65					31			28				24	23	22	21	20	19	18	17	
SALEABLE	NOT APPLICABLE	34566-8673	0	F	NATURAL	72		70		68	67	66			63	62			59		57				53	
						52	51		49	48	47	46		44			41	40	39		37	36	35	34	33	
						73						30			27	26	25	24		22	21	20				
SALEABLE	NOT APPLICABLE	34566-8683	0	B	ST GRAY	72		70		68	67	66			63	62			59		57				53	
						52	51		49	48	47	46		44			41	40	39		37	36	35	34	33	
						73				32		30			27	26	25	24		22	21	20				
SALEABLE	NOT APPLICABLE	34566-8693	0	A	BLACK			70		68	67	66			63	62			59		57				53	
						52	51		49	48	47	46		44			41	40	39		37	36	35	34	33	
						73				32		30			27	26	25	24		22	21	20				
SALEABLE	NOT APPLICABLE	34566-8713	9	B	ST GRAY	72	71	70	69					64	63			61	60			58	57	56	55	
						52	51	50	49					43								38	37	36		33
						73				32		30	29	28		26	25	24	23	22	21	20				
SALEABLE	NOT APPLICABLE	34566-8723	0	C	BLUE		71	70				66		64			61	60			57			54		
						52	51	50	49	48			45	44			41			37					34	33
						73				32				28	27			25								18
SALEABLE	NOT APPLICABLE	34566-8733	0	A	BLACK		71	70	69	68		66	65	64	63			60			57	56		54		
						52	51	50	49	48		46	45	44	43	42		40	39	38	37	36		34		
						73				32	31	30	29	28					23	22	21	20				
SALEABLE	NOT APPLICABLE	34566-8743	0	C	BLUE		71	70	69		67	66		64					39	38					54	
						52	51	50	49		47	46		44												
						73						30	29	28	27	26	25	24	23	22	21					
SALEABLE	NOT APPLICABLE	34566-8753	0	B	ST GRAY	72	71	70	69	68	67	66	65	64	63		61	60			58	57	56	55	54	53
						52	51	50	49	48	47	46	45	44	43			40				37	36	35	34	33
						73				32		30	29	28		26	25	24			21		19			

MX123 52/66/73/80-WAY RECEPTACLE ASSY SEALED PIN OUT SHEET

STATUS	GM PART #	HRNS CONN ASSY			TPA	GROMMET CAP																						
		MATERIAL/PART	WIRE DRESS OPTION	KEY OPTION Fp	COLOR OPTION Fp	NUMBERS INDICATE CAVITIES OPEN FOR CIRCUITS																						
		NUMBER				Fp																						
SALEABLE	NOT APPLICABLE	34566-8763	0	A	BLACK	72	71	70				67	66						59	58	57	56	55	54	53			
						52	51	50				47	46							39		37	36	35		18	17	
						73			32	31	30	29	28	27	26					8	7					3	2	1
SALEABLE	12672857	34822-0243	9	A	BLACK	64	63	62	61	60	59					54	53		51		49	66						
							47								38	37		35		33					20	19	18	17
						65							28				25	24		8	7		22	21	4	3	2	1
SALEABLE	NOT APPLICABLE	34822-0253	0	A	BLACK		63	62	61	60	59					54	53		51		49	66						
														38	37		35		33					20	19	18	17	
						65							28				24	23	22	21	4	3	2	1				
SALEABLE	NOT APPLICABLE	34822-0263	9	C	BLUE	64	63	62		60	59			57	56	55	54	53	52	51	50	49	66					
						48	47	46	45						39		37	36	35	34	33					19	18	17
						65			32	30	29	28	27	26	25	24	23	22	21							4	3	2
SALEABLE	NOT APPLICABLE	34822-0273	9	A	BLACK	64	63									54	53		51		49	66						
							47								38	37		35		33					20	19	18	17
						65							28						8	7		22				4	3	2
SALEABLE	NOT APPLICABLE	34822-0283	0	A	BLACK				61	60	59			58		56	55				51		49	66				
						65			32																			
SALEABLE	NOT APPLICABLE	34822-0293	0	A	BLACK																							
						64	63								54	53		51		49	66							
							47								38	37		35		33					20	19	18	17
SALEABLE	NOT APPLICABLE	34566-8773	9	B	ST GRAY	72		70		68						62	61	60	59									
						52				48	47	46			43			40										
						73					30										22	21	20	19	18	17		
SALEABLE	NOT APPLICABLE	34566-8783	9	A	BLACK	72	71	70	69	68			66	65	64	63		61	60			57	56		54	53		
						52	51	50	49	48			46	45	44	43		40	39	38	37	36			34	33		
						73			32	31	30	29	28							23	22	21						
SALEABLE	NOT APPLICABLE	34566-8793	9	C	BLUE		71	70			67	66	65				61	60			57			54				
						52	51	50	49	48	47		45	44			41			37					34	33		
						73			32				28	27		25										18	17	
SALEABLE	NOT APPLICABLE	34566-8813	9	B	ST GRAY	72	71	70	69	68	67			65	64	63		61	60	59		57	56	55	54	53		
						52	51	50	49	48	47	46	45	44	43	42		40	39			36	35	34	33			
						73			32	31	30	29	28	27	26	25	24	23	22	21								
SALEABLE	NOT APPLICABLE	34566-8823	9	C	BLUE	72	71	70	69		67	66		64				60							54			
						52	51	50	49		47	46		44				40	39									
						73					30	29	28	27	26	25	24	23	22	21								17
SALEABLE	NOT APPLICABLE	34566-8833	9	C	BLUE	72		70		68	67	66			63	62			59		57				54	53		
						52	51		49	48	47	46		44			41	40	39		37	36	35	34	33			
						73			32		30			27	26	25	24		22	21	20						2	1
SALEABLE	NOT APPLICABLE	34566-8843	0	C	BLUE	72	71	70	69		67	66		64											54			
						52	51	50	49		47	46		44			41		39	38								
						73					30	29	28	27	26	25	24	23	22	21								17
SALEABLE	NOT APPLICABLE	34566-8853	0	B	ST GRAY	72				68	67				63	62	61	60	59					55				
						52				48	47	46		44	43		41	40		38	37	36	35					
						73					30			27						22	21	20	19	18				1



**MX123 52/66/73/80-WAY RECEPTACLE ASSY SEALED PIN OUT SHEET**

STATUS	GM PART #	HRNS CONN ASSY			TPA	GROMMET CAP																							
		MATERIAL/PART	WIRE DRESS OPTION	KEY OPTION		NUMBERS INDICATE CAVITIES OPEN FOR CIRCUITS																							
		NUMBER		△ Fp		△ Fp																							
SALEABLE	NOT APPLICABLE	34566-8863	0	B	ST GRY	72	71	70	69					64	63		61			58	57	56	55						
						52	51	50	49						43							38	37	36			33		
						73				32		30	29	28		26	25	24	23	22	21	20							
						73				16		14	13	12	11	10	9	8	7	6	5	4							
SALEABLE	NOT APPLICABLE	34566-8873	0	B	ST GRY	72	71	70	69					64	63		61			58	57	56	55						
						52	51	50	49						43							38	37	36			33		
						73				32	31	30	29	28		26	25	24	23	22	21	20							
						73				16	15	14	13	12	11	10	9	8	7	6	5	4							
SALEABLE	NOT APPLICABLE	34566-8883	0	B	ST GRY	72	71	70	69	68	67	66	65	64	63		61	60	59	58	57	56	55						
						52	51	50	49	48	47	46	45	44	43		41	40	39	38	37	36	35	34	33				
						73				32	31	30	29	28	27	26	25	24	23	22	21	20	19	18	17				
						73				16	15	14	13	12	11	10	9	8	7	6	5	4	3	2	1				
SALEABLE	NOT APPLICABLE	34566-8893	0	A	BLACK	72		70		67	66	65		63			60	59	58	57	56	55							
						52	51		49	48	47	46	45		43	42		40	39	38	37	36	35						
						73								28	27				23	22	21					18	17		
						73								12	11		9		7								2	1	
SALEABLE	NOT APPLICABLE	34566-8913	0	A	BLACK	72	71	70	69	68		66	65	64	63			60			57	56			54				
						52	51	50	49	48		46	45	44	43	42	41	40	39	38	37	36				34			
						73				32	31	30	29	28						23	22	21							
						73					15	14	13	12						7	6	5						2	1
SALEABLE	NOT APPLICABLE	34566-8923	0	A	BLACK		71	70	69	68	67			64	63	62	61	60	59	57	56	55	54	53					
						52	51	50	49			46	45	44	43	42	41	40	39	38	37	36				34			
						73				32			29	28	27	26	25				21							18	
						73				16	15	14	13	12	11	10	9	8			5							3	
SALEABLE	NOT APPLICABLE	34566-8933	0	C	BLUE	72	71		69	68		66	65		63			59	58		56				53				
															43				39	38		36							
						73						31	30	29					24	23	22	21	20						
						73														6	5	4	3	2	1				
SALEABLE	NOT APPLICABLE	34566-8943	0	B	ST GRY	72				68						62	61							55					
						52						46			43			40											
						73															22	21	20	19	18	17			
						73				16	15	14							8		6		4	3	2				
SALEABLE	NOT APPLICABLE	34566-8953	9	C	BLUE	72	71	70	69		67	66		64			60								54				
						52	51	50	49		47	46		44				40	39	38									
						73						30	29	28	27	26	25	24	23	22	21							17	
						73				16	15	14	13	12	11	10	9	8	7	6	5								
SALEABLE	NOT APPLICABLE	34566-8963	0	B	ST GRY	72				48	47	46				62	61	60	59						55				
						52								43		41	40				38	37	36	35					
						73						30									22	21	20	19	18	17			
						73				16	15	14								6		4						1	
SALEABLE	NOT APPLICABLE	34566-8973	0	A	BLACK	72	71	70	69	68		66	65	64	63			60			57	56			54				
						52	51	50	49	48		46	45	44	43	42		40	39	38	37	36				34			
						73				32	31	30	29	28						23	22	21						17	
						73					15	14	13	12						7	6	5						2	
SALEABLE	NOT APPLICABLE	34566-8983	0	C	BLUE		71	70		67	66		64			61	60			57				54					
						52	51	50	49	48	47		45	44		41				37						34	33		
						73				32				28	27		25											18	17
						73				16	15	14	13	12	11	10	9	8	7										
SALEABLE	NOT APPLICABLE	34822-0303	0	A	BLACK																		66						
						65																							
SALEABLE	NOT APPLICABLE	34822-0313	0	A	BLACK		63	62	61	60	59					54	53			49				66					
															38	37		35		33									
						65					31			28				24	23	22	21	20	19	18	17				
SALEABLE	NOT APPLICABLE	34566-8993	0	B	ST GRY							66				62			58										
																	41			38	37								
						73																		19	18	17			
73																		5					1						





MX123 52/66/73/80-WAY RECEPTACLE ASSY SEALED PIN OUT SHEET

STATUS	GM PART #	HRNS CONN ASSY			TPA	GROMMET CAP																				
		MATERIAL/PART	WIRE DRESS OPTION	KEY OPTION Fp	COLOR OPTION Fp	NUMBERS INDICATE CAVITIES OPEN FOR CIRCUITS																				
		NUMBER				Fp																				
SALEABLE	NOT APPLICABLE	34566-9143	9	F	NATURAL	72	71	70			67	66	65	64	63	62	61	60	59			56	55	54	53	
						52	51	50	49	48	47	46	45	44									36	35	34	
						73				32	31		29	28	27	26	25	24	23	22	21	20				
SALEABLE	NOT APPLICABLE	34566-9153	9	B	ST GRAY						66								58							
																41			38	37						
						73																20	19	18	17	
SALEABLE	NOT APPLICABLE	34566-9163	9	B	ST GRAY					68	67	66	65			62		60	59				54	53		
										48	47	46	45	44		42	41	40	39				35	34		
						73					31				27									19	18	17
SALEABLE	NOT APPLICABLE	34566-9173	0	B	ST GRAY								65			62				58						
																41			38	37						
						73																5			19	18
SALEABLE	NOT APPLICABLE	34822-0363	9	C	BLUE				61				58													
										44	43		41	40		38							20			
						65					31												5	4		
SALEABLE	NOT APPLICABLE	34822-0373	9	A	BLACK	64	63	62	61	60					55			52	51		49					
						48	47	46	45							38										
						65				32		30	29		27							22	21	20	19	18
SALEABLE	NOT APPLICABLE	34822-0383	9	A	BLACK	64	63	62	61	60			57				52	51		49						
						48	47	46	45				40													
						65				32		30	29		27							22	21	20	19	18
SALEABLE	NOT APPLICABLE	34822-0393	0	A	BLACK	64	63	62	61	60			57				52	51		49						
						48	47	46	45						38											
						65				32		30	29		27							22	21	20	19	18
SALEABLE	NOT APPLICABLE	34822-0403	9	A	BLACK	64	63								54	53		51		49						
															38	37		35		33						
						65					31			28							22		20	19	18	17
SALEABLE	NOT APPLICABLE	34822-0413	0	A	BLACK	64	63								54	53		51		49						
															38	37		35		33						
						65								28							22		20	19	18	17
SALEABLE	NOT APPLICABLE	34822-0423	9	A	BLACK										54	53		50								
										44	43	42	41	40	39		37	36	35	34	33					
						65					31			28		26	25	24	23							
SALEABLE	NOT APPLICABLE	34566-9183	9	B	ST GRAY	72	71	70	69	68	67		65	64	63	62	61	60	59		57	56	55	54	53	
						52	51	50	49	48	47	46	45	44	43	42		40	39			36	35	34	33	
						73				32	31	30	29	28	27	26	25	24	23	22	21			19		
SALEABLE	NOT APPLICABLE	34566-9193	9	F	NATURAL				69	68										58	57					
															43	42						38	37			33
						73							30											19	18	17
SALEABLE	NOT APPLICABLE	34822-0433	0	A	BLACK	64	63	62		60	59		57	56	55	54	53	52	51	50	49					
						48	47	46	45				42			39		37	36	35	34	33				
						65				32		30	29	28	27	26	25	24	23	22	21	20	19	18	17	
SALEABLE	NOT APPLICABLE	34822-0443	0	A	BLACK	64	63	62		60	59		57	56	55	54	53	52	51	50	49					
						48	47	46	45				42			39		37	36	35	34	33				
						65				32	31	30	29	28	27	26	25	24	23	22	21	20	19	18	17	

MX123 52/66/73/80-WAY RECEPTACLE ASSY SEALED PIN OUT SHEET

STATUS	GM PART #	HRNS CONN ASSY			TPA	GROMMET CAP																								
		MATERIAL/PART	WIRE DRESS OPTION	KEY OPTION	COLOR	NUMBERS INDICATE CAVITIES OPEN FOR CIRCUITS																								
		NUMBER		Fp	Fp	Fp																								
SALEABLE	NOT APPLICABLE	34822-0453	0	A	BLACK						59	58	57	56		54	53			50			66							
										44	43	42	41	40	39															
						65																								
SALEABLE	NOT APPLICABLE	34566-9213	0	B	ST GRAY																									
							51	50	49	68	67	66	65	64									59	58	57		55	54	53	
						73																								
SALEABLE	NOT APPLICABLE	34566-9223	9	B	ST GRAY																									
										72																				
						73																								
SALEABLE	NOT APPLICABLE	34566-9233	9	C	BLUE																									
							71																							
						73																								
SALEABLE	NOT APPLICABLE	34566-9243	9	B	ST GRAY																									
							72	71	70	69																				
						73																								
SALEABLE	NOT APPLICABLE	34566-9253	9	B	ST GRAY																									
							52	51	50	49	68	67	66	65	64	63	62	61	60	59										
						73																								
SALEABLE	NOT APPLICABLE	34566-9263	9	B	ST GRAY																									
							52																							
						73																								
SALEABLE	NOT APPLICABLE	34822-0463	0	A	BLACK																									
							64	63	62		60	59		57	56	55	54	53	52	51	50	49								
						65																								
SALEABLE	NOT APPLICABLE	34822-0473	9	C	BLUE																									
							64	63	62		60	59		57	56	55	54	53		51		49								
						65																								
SALEABLE	NOT APPLICABLE	34822-0483	9	A	BLACK																									
							64	63																						
						65																								
SALEABLE	NOT APPLICABLE	34566-9273	9	B	ST GRAY																									
							72	71	70	69	68	67		65	64	63		61	60	59										
						73																								
SALEABLE	NOT APPLICABLE	34822-0493	0	C	BLUE																									
							64	63	62		60	59		57	56	55	54	53	52	51	50	49								
						65																								
SALEABLE	NOT APPLICABLE	34566-9283	9	G	BLUE																									
							80	79	78																					
						73																								
SALEABLE	NOT APPLICABLE	34566-9293	9	G	BLUE																									
							80	79	78	57																				
						73																								
SALEABLE	NOT APPLICABLE	34566-9313	9	A	BLACK																									
							72																							
						73																								

MX123 52/66/73/80-WAY RECEPTACLE ASSY SEALED PIN OUT SHEET

STATUS	GM PART #	HRNS CONN ASSY			TPA	GROMMET CAP																									
		MATERIAL/PART	WIRE DRESS OPTION	KEY OPTION Fp	COLOR OPTION Fp	NUMBERS INDICATE CAVITIES OPEN FOR CIRCUITS																									
		NUMBER				Fp																									
SALEABLE	NOT APPLICABLE	34566-9323	9	A	BLACK	72										64		62	61		59	58	57	56	55	54	53				
						52	51				48		46	45		43		41	40								20				
						73				32		30	29		27		25											4	3		
SALEABLE	NOT APPLICABLE	34566-9333	9	A	BLACK	72										64		62	61		59	58	57	56	55	54	53				
						52	51				48		46	45		43		41	40								37		35	34	
						73				32		30	29		27		25												20		
SALEABLE	NOT APPLICABLE	34566-9343	9	C	BLUE	72		70	69	68		66					63	62					58		56	55		53			
									49			46			43	42		40							38		36	35			
						73					31	30	29			26		24								22	21	20	19		17
SALEABLE	NOT APPLICABLE	34822-0503	0	A	BLACK	64		62	61	60	59	58					54	53			51										
						48	47									38	37	36		34											
						65						30	29	28			26		24								21				17
SALEABLE	NOT APPLICABLE	34822-0513	9	A	BLACK		63	62	61		59					54	53							49							
																38	37		35							33					
						65					31			28				24									22	21	20	19	18
SALEABLE	NOT APPLICABLE	34566-9353	9	A	BLACK	72										64		62	61				58	57	56	55	54	53			
						52	51				48		46	45		43		41	40								37		35	34	
						73				32		30	29		27		25												20		
SALEABLE	NOT APPLICABLE	34566-9363	9	A	BLACK	72										64		62	61					57	56	55	54	53			
						52	51					46	45		43			40									37		35	34	
						73				32		30	29		27		25												20		
SALEABLE	NOT APPLICABLE	34566-9373	9	G	BLUE	80																	66		64						
							59		57										49												
							39												30												
SALEABLE	NOT APPLICABLE	34566-9383	9	A	BLACK	72	71	70	69	68					64	63	62	61			59	58	57	56	55	54	53				
						52	51	50		48	47	46	45	44	43		41	40	39	38	37							35	34	33	
						73				32		30	29		27	26	25	24											20	19	18
SALEABLE	NOT APPLICABLE	34566-9393	0	B	ST GRAY	72	71	70	69	68	67		65	64	63		61	60	59				57	56	55	54	53				
						52	51	50	49	48	47	46	45	44	43	42		40	39								36	35	34	33	
						73				32	31	30	29	28	27	26	25	24	23	22	21	20									
SALEABLE	NOT APPLICABLE	34566-9413	9	H	ST GRAY																										
SALEABLE	NOT APPLICABLE	34566-9423	0	A	BLACK	72	71	70			67	66										58	57	56	55	54	53				
						52	51	50			47	46													39		37	36	35		33
						73				32	31	30	29	28	27	26														18	17
SALEABLE	NOT APPLICABLE	34566-9433	0	B	ST GRAY	72	71	70	69	68	67	66	65	64	63		61					58	57	56	55	54	53				
						52	51	50	49	48	47	46	45	44				40	39								37	36	35	34	33
						73						30	29	28	27	26	25	24										21			
SALEABLE	NOT APPLICABLE	34566-9443	9	B	ST GRAY	72	71	70	69	68	67		65	64	63	62	61	60	59				57	56	55	54	53				
								50	49	48	47	46		44	43	42		40	39									36	35	34	33
						73				32	31	30	29	28	27	26	25	24	23	22	21										
SALEABLE	NOT APPLICABLE	34566-9453	0	A	BLACK	72	71	70	69		67			64			61	60	59				57	56	55	54	53				
						52	51				48			45	44			41	40	39	38	37	36	35	34						
						73					31	30	29		27	26	25												19	18	



MX123 52/66/73/80-WAY RECEPTACLE ASSY SEALED PIN OUT SHEET

STATUS	GM PART #	HRNS CONN ASSY			TPA	GROMMET CAP																					
		MATERIAL/PART	WIRE DRESS OPTION	KEY OPTION Fp	COLOR OPTION Fp	NUMBERS INDICATE CAVITIES OPEN FOR CIRCUITS																					
		NUMBER				Fp																					
SALEABLE	NOT APPLICABLE	34566-9633	9	B	ST GRAY	72	71	70	69	68	67		65	64	63		61	60	59		57	56	55	54	53		
						52	51	50	49	48	47	46	45	44	43	42		40	39				36	35	34	33	
						73				32	31	30	29	28	27	26	25	24	23	22	21	20				3	2
SALEABLE	NOT APPLICABLE	34566-9643	9	A	BLACK				69					64	63		61		59								
						52				48				44	43		41		39	38				35	34		
						73						30	29								10					5	
SALEABLE	NOT APPLICABLE	34566-9653	9	G	BLUE	80													66	65							
							59		57																		
							39									30											
SALEABLE	NOT APPLICABLE	34566-9663	0	B	ST GRAY	72	71	70	69	68	67	66	65	64	63		61				58	57	56	55	54	53	
						52	51	50	49	48	47	46	45	44				40					37	36	35	34	33
						73				32		30	29	28		26	25	24			21						
SALEABLE	NOT APPLICABLE	34822-0533	9	C	BLUE	64	63			60	59		57	56	55		53	52	51	50	49	66					
						48	47	46	45			42			39	38		36	35	34	33						
						65				32		30	29	28	27	26	25	24	23	22			20			18	17
SALEABLE	NOT APPLICABLE	34822-0543	0	A	BLACK	64	63	62	61	60	59					54	53		51		49	66					
							47								38	37		35			33						
						65								28			25	24		22	21	20	19	18	17		
SALEABLE	NOT APPLICABLE	34822-0553	0	A	BLACK	64	63								54	53		51		49	66						
														38	37		35		33								
						65					31			28				24	23		21	20	19	18	17		
SALEABLE	NOT APPLICABLE	34822-0563	0	C	BLUE	64	63	62		60	59		57	56	55	54	53	52	51	50	49	66					
						48	47	46	45			42			39		37	36	35	34	33						
						65				32		30	29	28	27	26		24	23	22				19	18	17	
SALEABLE	NOT APPLICABLE	34566-9673	0	C	BLUE	72	71	70	69		67	66	65	64					60			56		54			
						52	51	50	49		47	46	45	44					40	39	38					34	
						73					31	30		28		26	25	24	23	22	21	20					
SALEABLE	NOT APPLICABLE	34566-9683	0	B	ST GRAY	72	71	70	69	68	67	66	65	64	63		61	60			57	56	55	54			
						52	51	50	49	48	47	46	45	44	43		41	40			38	37	36	35			33
						73				32	31	30	29	28		26		24	23	22	21	20	19				
SALEABLE	NOT APPLICABLE	34566-9693	0	A	BLACK	72		70			67					63											
						52	51			48	47				43	42		40	39	38	37	36	35			33	
						73								28													18
SALEABLE	NOT APPLICABLE	34566-9713	0	B	ST GRAY					68	67	66	65	64					59	58	57		55	54	53		
							51	50	49	48		46	45		43	42		40	39	38	37			35			33
						73				32	31	30				26		24	23	22		20					
SALEABLE	NOT APPLICABLE	34566-9723	0	B	ST GRAY																						
							51	50	49	48	47	46	45		43			40			37	36					
						73				32		30	29	28		26	25	24			21			19			
SALEABLE	NOT APPLICABLE	34566-9733	0	A	BLACK	72	71	70			67	66							59						53		
						52	51	50			47	46							39		37			35			33
						73						30	29	28	27	26				21							
SALEABLE	NOT APPLICABLE	34822-0573	0	A	BLACK	64	63									54	53		51		49	66					
															38	37		35		33							
						65								28				24		22		20	19	18	17		

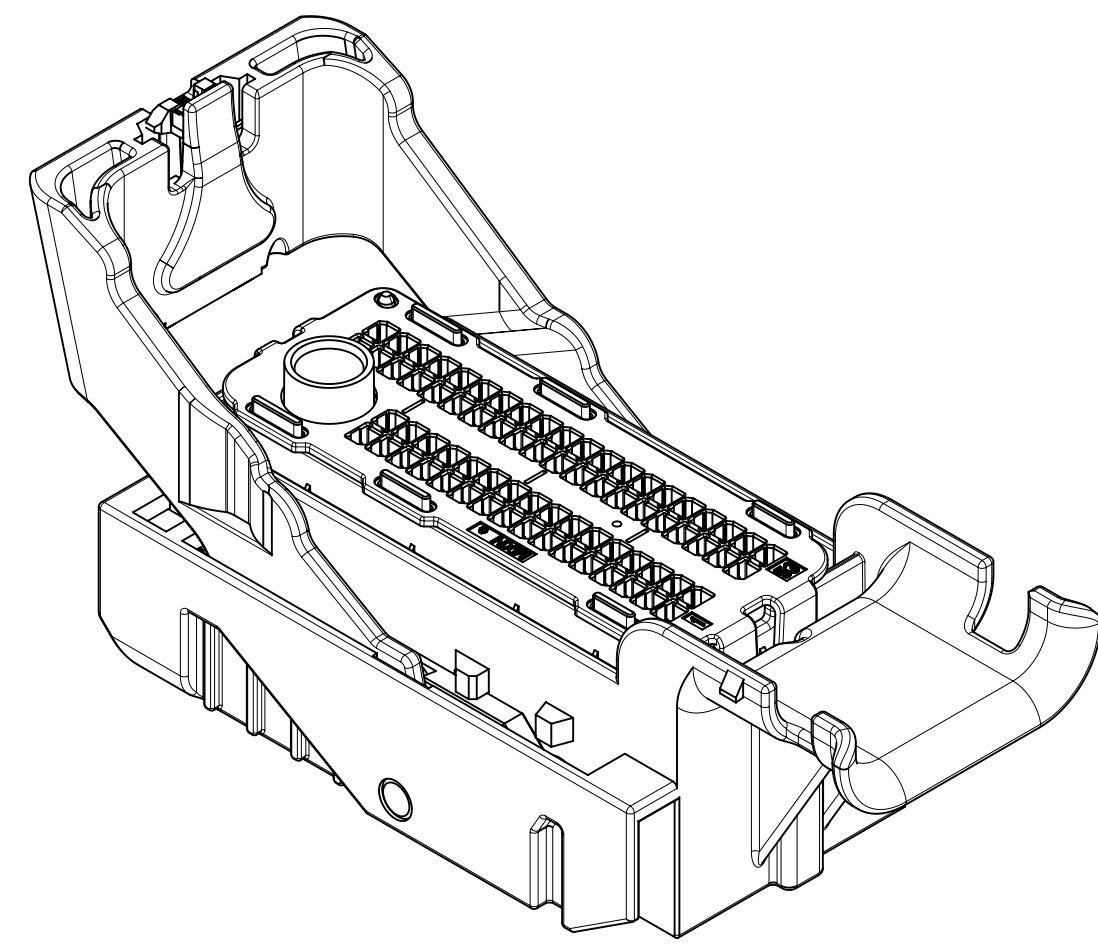


MX123 52/66/73/80-WAY RECEPTACLE ASSY SEALED PIN OUT SHEET

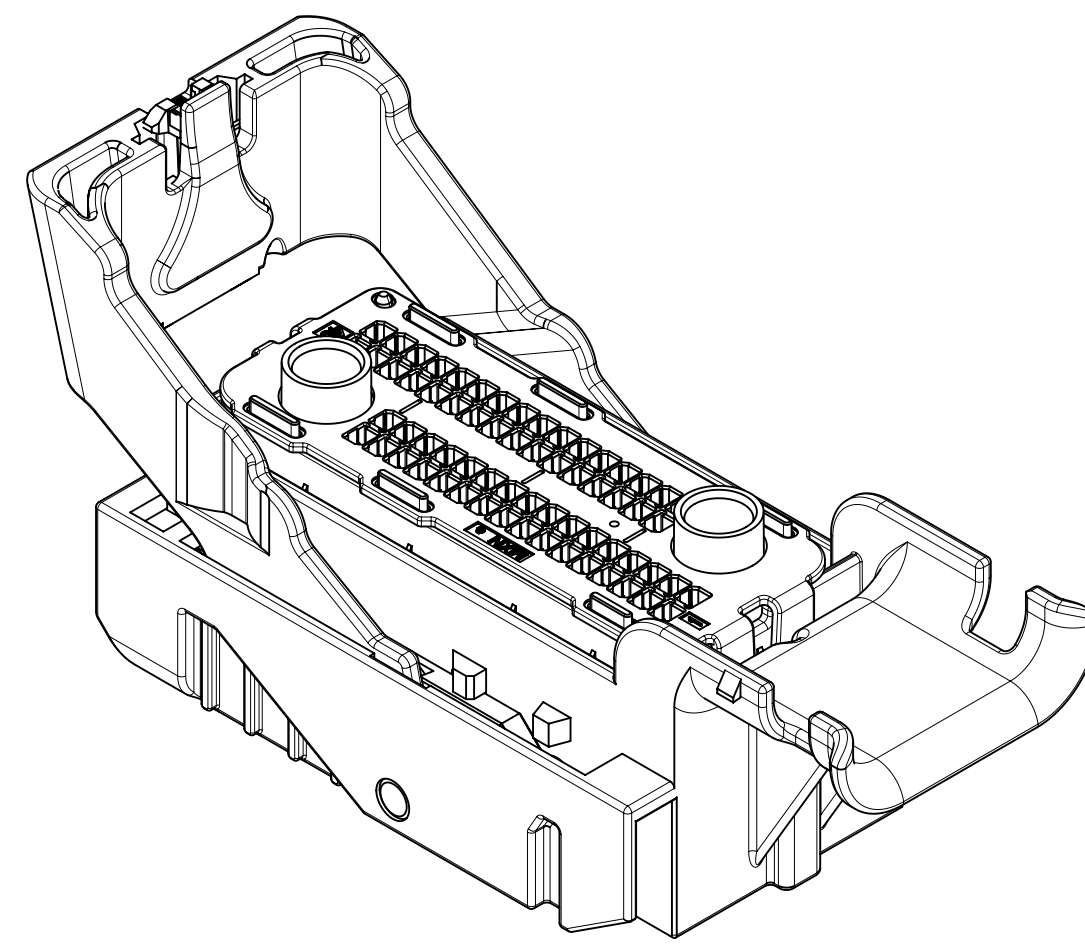
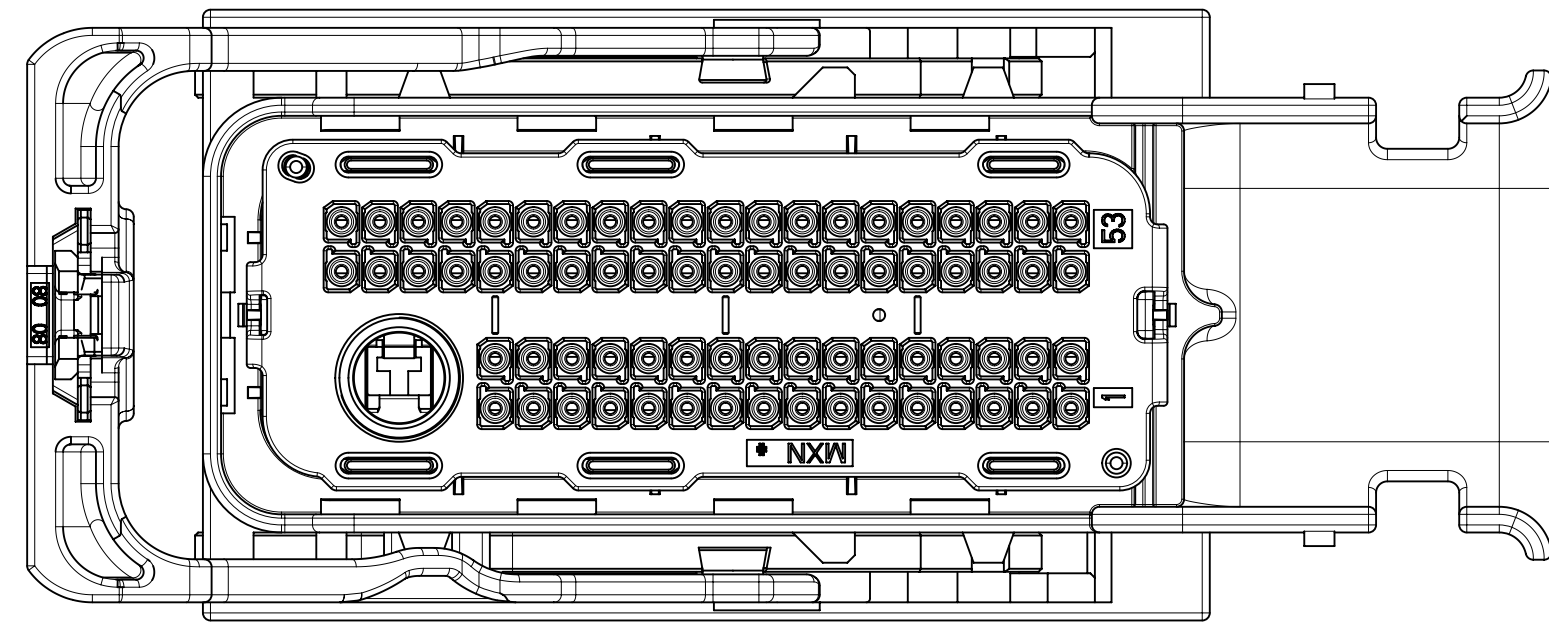
STATUS	GM PART #	HRNS CONN ASSY			TPA	GROMMET CAP																				
		MATERIAL/PART	WIRE DRESS OPTION	KEY OPTION Fp	COLOR OPTION Fp	NUMBERS INDICATE CAVITIES OPEN FOR CIRCUITS																				
		NUMBER				Fp																				
SALEABLE	NOT APPLICABLE	34822-0653	0	A	BLACK	64	63	62	61		59					54	53			49	66					
											31			28				24		22	21	20	19	18	17	
						65					15	14	13	12				8	7				4	3	2	1
SALEABLE	NOT APPLICABLE	34566-9833	9	B	ST GRAY	72	71	70	69	68	67			64	63		61		58	57	56	55	54	53		
						52	51	50	49	48	47			44	43		41		38	37	36				33	
						73					32		30	29	28		26	25	24	23	22	21	20			
SALEABLE	NOT APPLICABLE	34566-9843	9	A	BLACK	72	71	70			67	66	65	64	63	62	61		59				55	54	53	
						52	51	50			47	46	45	44	43	42	41	40	39		37	36	35	34	33	
						73						30	29												18	17
SALEABLE	NOT APPLICABLE	34566-9853	9	B	ST GRAY	72	71	70	69	68	67		65	64	63	62	61	60	59	58	57	56	55	54	53	
						52	51	50	49	48	47	46	45	44	43	42		40	39			36	35	34	33	
						73					32	31	30	29	28	27	26	25	24	23	22	21	20			
SALEABLE	NOT APPLICABLE	34566-9863	0	B	ST GRAY	72	71	70	69	68	67		65	64	63	62	61	60	59		57	56	55	54	53	
						52	51	50	49	48	47	46	45	44	43	42		40	39			36	35	34	33	
						73					32	31	30	29	28	27	26	25	24	23	22	21				
SALEABLE	NOT APPLICABLE	34566-0004	0	A	BLACK	72	71	70	69		67			64	63		61	60	59		57	56	55	54	53	
						52	51			48			45	44	43		41	40	39	38	37	36	35	34	33	
						73					31	30	29		27	26	25		22				19	18		
SALEABLE	NOT APPLICABLE	34566-0014	0	G	BLUE	80	79	78	77		75								66	65	64		62			
							59		57										46			43	42	41		
							39	38	37		35		33	32		30				26	25	24		22	21	
SALEABLE	NOT APPLICABLE	34566-0024	0	G	BLUE	20		18	17	16	15			12			8	7	6	5		3	2	1		
SALEABLE	NOT APPLICABLE	34566-0034	0	G	BLUE	80	79	78			75							66	65	64		62				
							59		57				53						46			43	42	41		
							39	38	37		35		33	32		30				26	25	24		22	21	
SALEABLE	NOT APPLICABLE	34566-0044	0	A	BLACK	72	71	70	69		67			64			61	60	59		57	56	55	54	53	
						52	51			48			45	44			41	40	39	38	37	36	35	34	33	
						73					31	30	29		27	26	25		22				19	18		
SALEABLE	NOT APPLICABLE	34566-0054	0	G	BLUE	80	79	78	77		75							66	65	64		62				
							59		57										46			43	42	41		
							39	38	37		35		33			30				26	25	24		22	21	
SALEABLE	NOT APPLICABLE	34566-0064	0	A	BLACK	72	71	70	69		67			64	63		61	60	59		57	56	55	54	53	
						52	51			48			45	44	43		41	40	39	38	37	36	35	34		
						73					31	30	29		27	26	25		22				19	18		
SALEABLE	NOT APPLICABLE	34566-0084	0	A	BLACK			70	69		67			64			61	60	59		57	56	55	54	53	
						52	51			48			45	44			41	40	39	38	37	36	35	34	33	
						73					31	30	29		27	26	25		22				19			
SALEABLE	NOT APPLICABLE	34566-0094	0	B	ST GRAY	72	71	70	69	68	67		65	64	63	62	61	60	59		57	56	55	54	53	
						52	51	50	49	48	47	46	45	44	43	42		40	39			36	35	34	33	
						73					32	31	30	29	28	27	26	25	24	23	22	21				
SALEABLE	NOT APPLICABLE	34566-0104	0	B	ST GRAY	72	71	70	69	68	67		65	64	63	62	61	60	59		57	56	55	54	53	
								50	49	48	47	46		44	43	42		40	39			36	35	34	33	
						73					32	31	30	29	28	27	26	25	24	23	22	21				
SALEABLE	NOT APPLICABLE	34566-0104	0	B	ST GRAY																					
						73					16	15	14	13	12	11	10	9		7	6		4	3	2	

STATUS	GM PART #	HRNS CONN ASSY			TPA	GROMMET CAP																															
		MATERIAL/PART	WIRE DRESS OPTION	KEY OPTION ▽ Fp	COLOR OPTION ▽ Fp	NUMBERS INDICATE CAVITIES OPEN FOR CIRCUITS ▽ Fp																															
		NUMBER																																			
SALEABLE	NOT APPLICABLE	34566-0114	0	B	ST GRV	72	71	70	69						64	63		61			58	57	56	55													
						52	51	50	49							43							38	37	36												
						73				32		30	29	28			26	25	24	23	22	21	20														
SALEABLE	NOT APPLICABLE	34566-0124	0	B	ST GRV	72											62	61	60	59											55						
						52				48	47	46														40											
						73							30														22	21	20	19	18	17					
SALEABLE	NOT APPLICABLE	34566-0134	0	B	ST GRV	72											62	61	60	59																	
						52				48	47	46																									
						73							30															22	21	20	19	18					
SALEABLE	NOT APPLICABLE	34566-0144	9	B	ST GRV	72																															
						52				48	47	46																									
						73							30															6		4	3						
SALEABLE	NOT APPLICABLE	34822-0663	9	C	BLUE				61	60		58																									
									44	43																											
						65							31																21	20	19						
SALEABLE	NOT APPLICABLE	34822-0673	0	A	BLACK	64							58	57	56	55																					
						48	47	46	45	44	43	42	41	40	39																						
						65							32		30	29			27	26	25																
SALEABLE	NOT APPLICABLE	34822-0683	9	A	BLACK			63	62	61	60	59																									
										44																											
						65							31																								
SALEABLE	NOT APPLICABLE	34822-0693	9	C	BLUE				62	61			58																								
										44	43		41	40																							
						65							31																								
SALEABLE	NOT APPLICABLE	34566-0154	9	B	ST GRV	72	71	70	69	68	67	66	65	64	63	62	61	60	59						57	56	55	54	53								
						52	51	50	49	48	47	46	45	44	43	42	41	40	39																		
						73				32	31	30	29	28	27	26	25	24	23	22	21																
SALEABLE	NOT APPLICABLE	34566-0164	0	G	BLUE	80	79	78	77		75														66	65	64		62								
							59		57																												
							39	38	37		35			33	32				30																		
	20		18	17	16																																





73 CKT  
SCALE 3:2



66 CKT  
SCALE 3:2

NOTES: UNLESS OTHERWISE SPECIFIED

1. MATERIAL:

- A. RESIN: SEE COMPONENT DRAWINGS
- B. COLOR: SEE TABLE

2. DESIGN - GENERAL:

A. THIS IS A 100% CAD GENERATED PART. THE CAD MATHEMATICAL DATA IS THE MASTER FOR THIS PART. FOR DIMENSIONAL OR ANY INFORMATION NOT SHOWN ON THIS DRAWING, ANALYZE THE CAD MODEL.

B. TOLERANCES:

- a. LINEAR X.X ± 0.30  
X.XX ± 0.10  
X.XXX ± 0.10
- b. ANGULAR X° ± 3.0°

C. CORNERS SHOWN AS SHARP TO BE R 0.2 MAX.

D. FOLLOWING PRODUCTION CODES TO BE PERMANENTLY MARKED & HUMAN READABLE TO A LETTER HEIGHT < 3mm.

LINE #1: MATERIAL #:XXXX-XXXX

LINE #2: DATE CODE: JJJY (JULIAN DAY, LAST DIGIT OF YEAR)

LINE #3: INSPECTION MACHINE CODE + SERIAL #: X\_XXXX

E-1. PARTS MUST BE FREE OF DISCOLORATION, SALT RESIDUE AND OTHER IMPERFECTIONS THAT AFFECT FIT OR FUNCTION.

E-2. SCRATCHES OR DENTS NOT TO EXCEED 0.13mm IN DEPTH.

F. CHANGES IN DESIGN FROM PART PREVIOUSLY APPROVED REQUIRES PRIOR ENGINEERING APPROVAL. THIS INCLUDES BUT IS NOT LIMITED TO DRAFT, MATERIAL OR PROCESSING.

G. SHALL CONFORM TO THE FOLLOWING PACKAGING SPECIFICATION : PK-31300-019

3. DESIGN - MANUFACTURING:

A. DRAFT TO BE WITHIN TOLERANCE.

B. ALLOWABLE FLASH 0.2 MAX HIGH X 0.13 MAX THICK.

C. ALLOWABLE PARTING LINE MISMATCH 0.2 MAX.

D. EJECTOR PINS MARK TO BE FLUSH TO 0.25 MAX DEPRESSED.

E. ALLOWABLE GATE VESTIGE TO BE FLUSH TO 0.25 MAX PROTRUSION.

4. SYSTEM REQUIREMENTS:

WHEN TESTED TO SAE/USCAR-2 REV: 3, APRIL 2001, AND GMW #3191, AUGUST 22, 2000 (DRAFT).

A. TPA (WITHOUT TERMINALS)

a. INSERTION FORCE FROM PRE-SET TO LOCK: ≥20N

b. REMOVAL FORCE FROM PRE-SET: ≥20N

B. CPA

a. INSERTION FORCE FROM PRE-SET TO LOCK WITH CONNECTOR UN-MATED: ≥60N

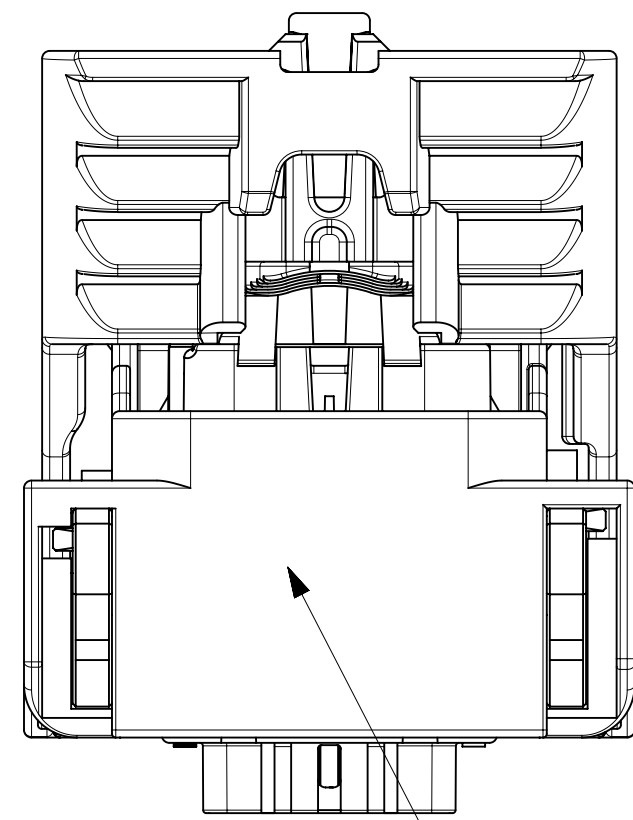
b. REMOVAL FORCE FROM PRE-SET: ≥30N

C. GROMMET CAP

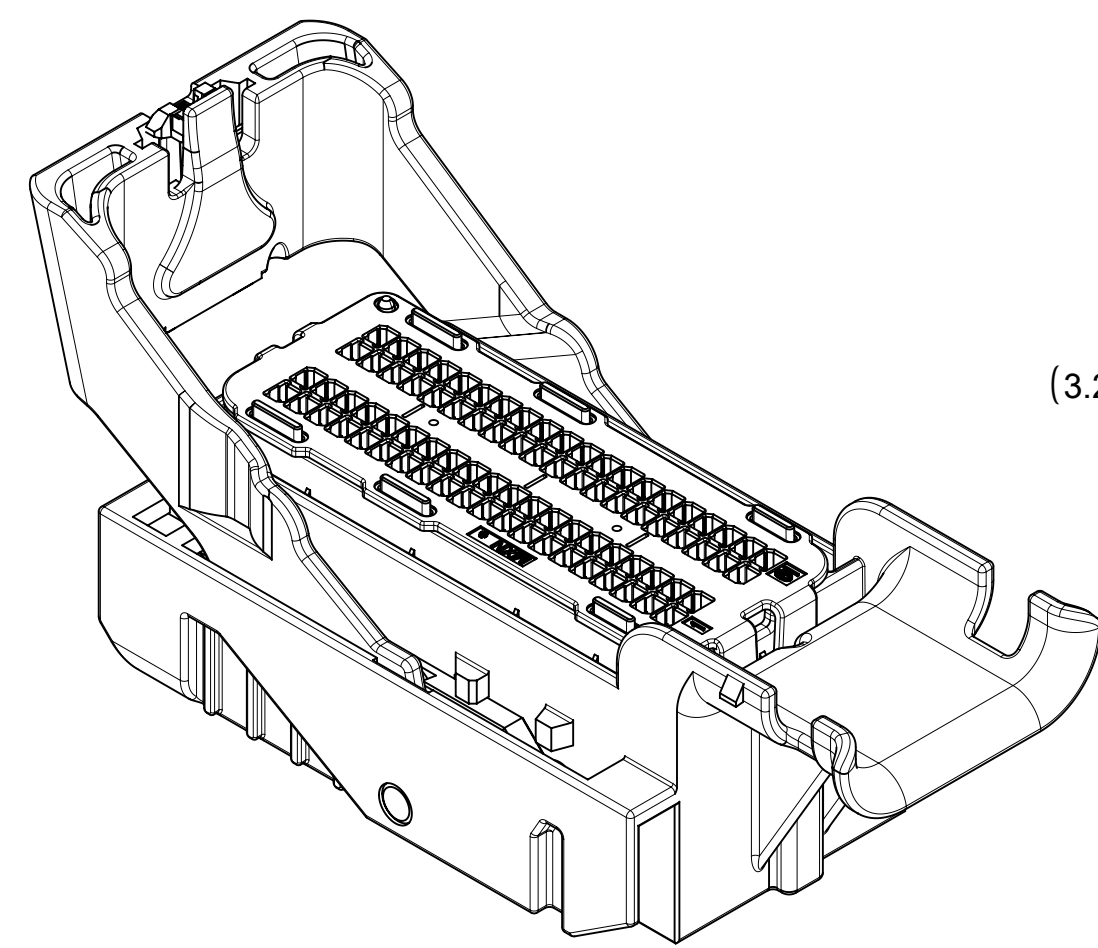
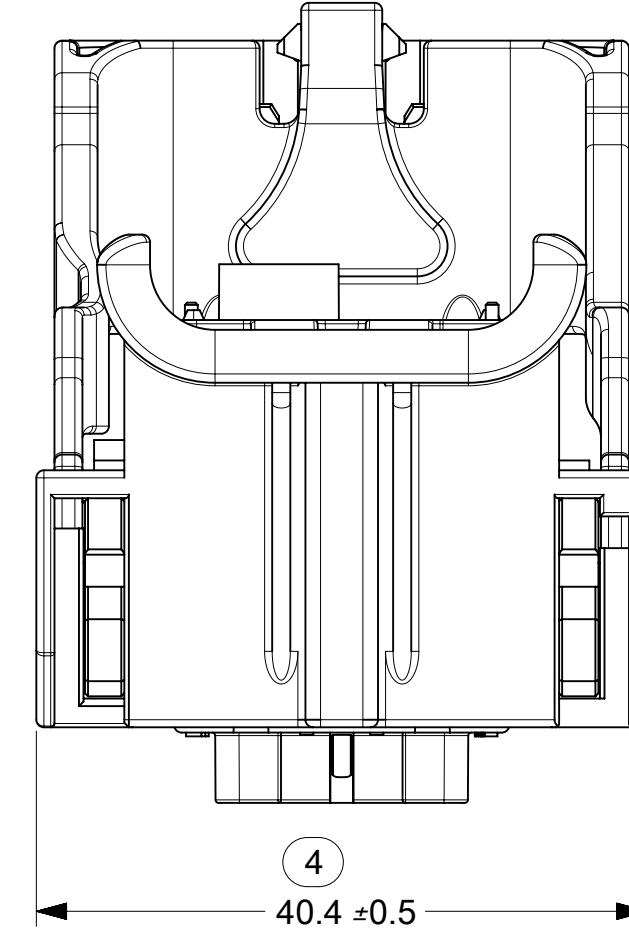
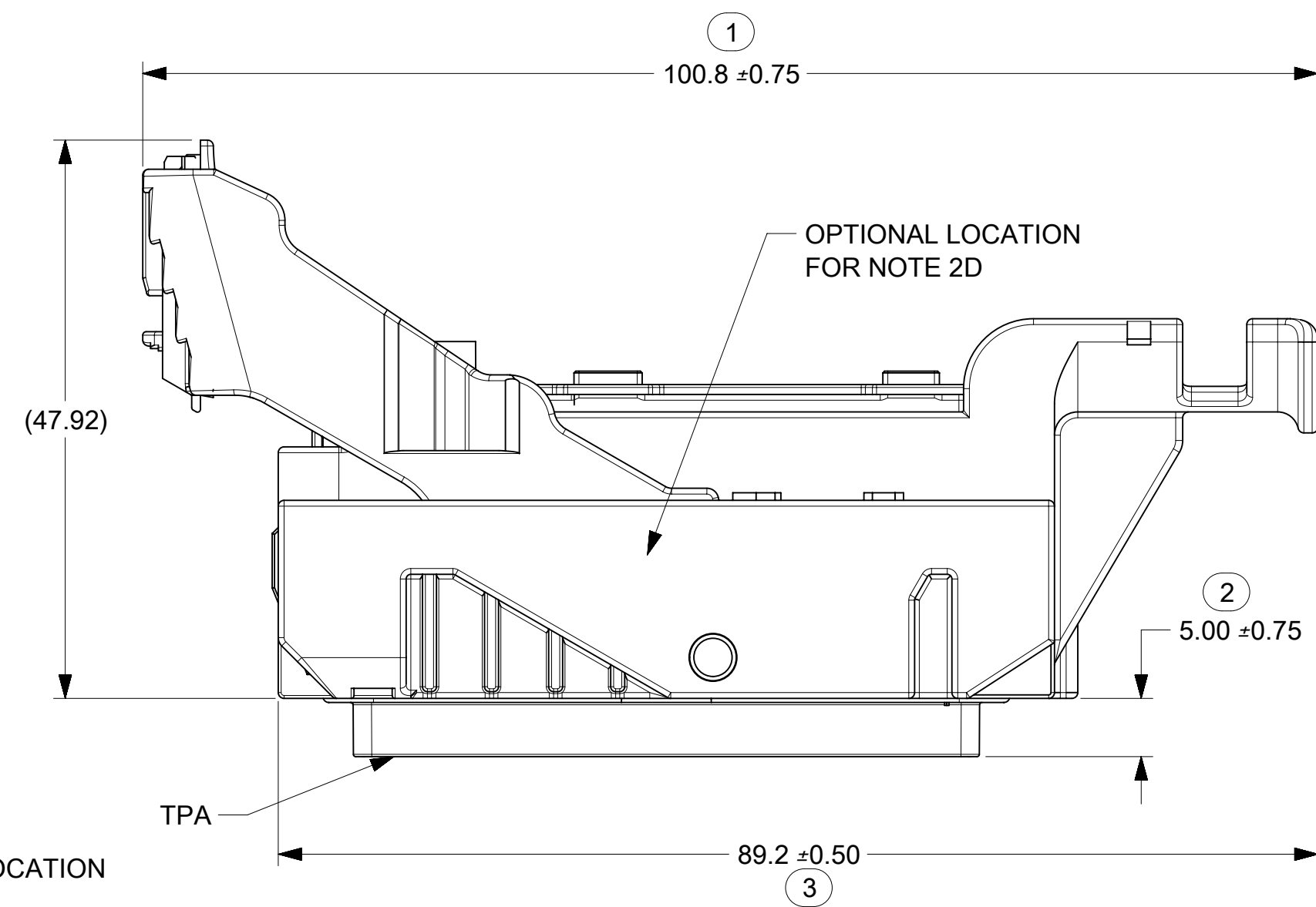
a. REMOVAL FORCE FROM HOUSING WITH ENGAGED LATCHES: ≥110N

D. MATE ASSIST LEVER

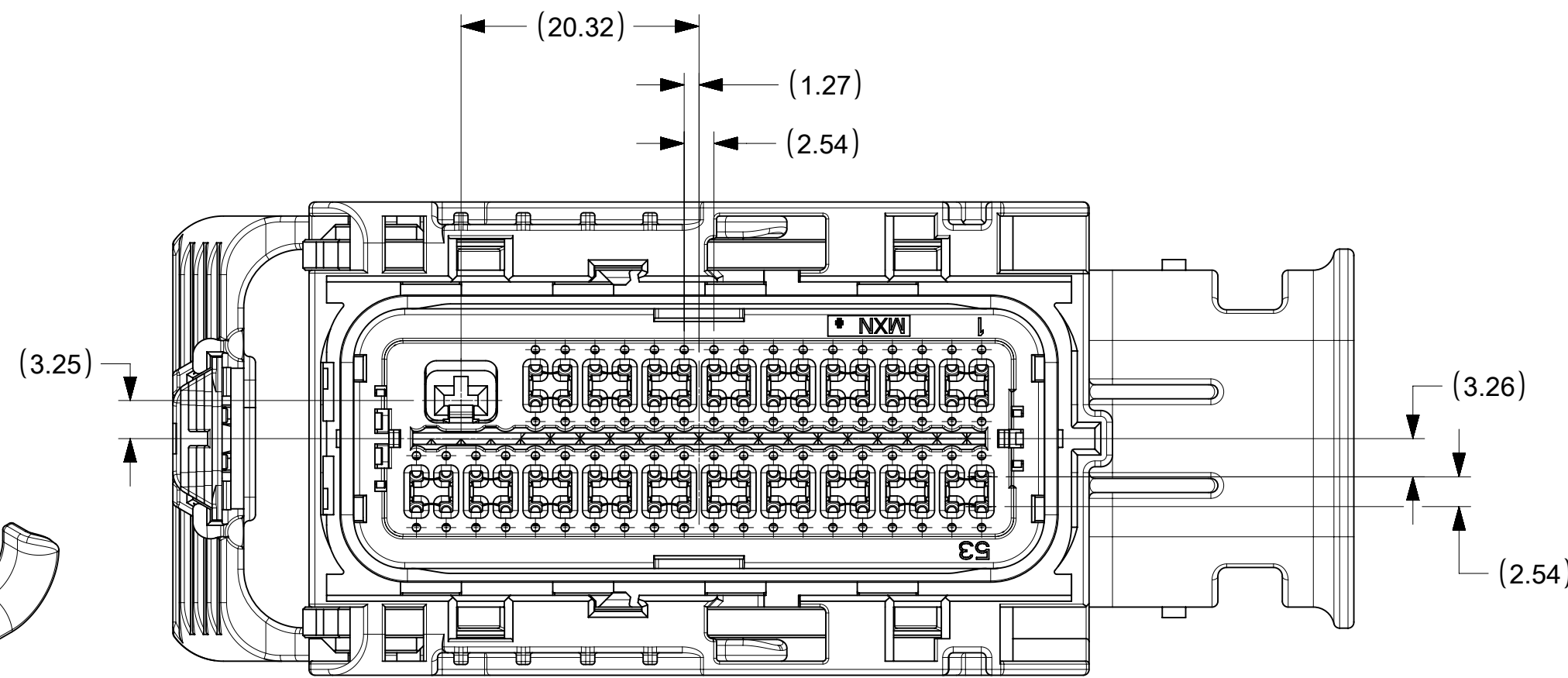
a. INADVERTENT ACTUATION FORCE DURING SHIPPING, HANDLING OR PRE-ASSEMBLY: ≥190N



RECOMMENDED LOCATION FOR NOTE 2D



80 CKT  
SCALE 3:2



G63	CHANGE DIMENSION 47.92 AND 89.2±0.50 POSITION; CHANGE > TO ≥ IN NOTES 4; TAKE OFF MODEL NUMBERS IN SHEET 2-4
G62	UPDATE ALL VIEWS IN SHEET 1, SHEET 2 AND SHEET 3
G61	BOM MIGRATE TO 345660001-SD.pdf
G60	ADD NEW PIN CONFIGURATION 34822-0253 thru 34822-0293 , 34566-8773 thru 34566-8983, 34576-7663 thru 34576-7723
G59	UPDATED HARNESS ASSY PART# DESCRIPTIONS
G58	ADD NEW PIN CONFIGURATION 34566-8743 34566-8753 34566-8763 34822-0243
G56	TO RESOLVE ISSUES WITH VIEWS ON SHEETS 1, 2, 3 AND 4
G55	ADDED HARNESS CONNECTOR ASSEMBLY PART NUMBERS
G54	ADDED KNOCKOUT PATTERNS
G53	UPDATED DRAWING TO INCLUDE ISO WIRE AND AWG WIRE HRNS CONN ASSEMBLY PART NUMBERS
G52	ADD NEW PIN CONFIGURATION 34566-8613 34566-8623
G51	ADD NEW PIN CONFIGURATION 34566-8563 34566-8573 34566-8583 34566-8593 34822-0183 34822-0193 34822-0203 34822-0213
G50	ADD NEW PIN CONFIGURATION 34566-8543 34566-8553
G49	ADD NEW PIN CONFIGURATION 34566-8443 34566-8453 34566-8463 34566-8473 34566-8483 34566-8493 34566-8513 34566-8523 34566-8533
G48	ADD NEW PIN CONFIGURATION 34566-8393 34566-8413 34566-8423 34566-8433
G47	SHEETS SEQUENCE ARE CORRECTED
G46	ADD NEW PIN CONFIGURATION 34566-8223 34566-8233 34566-8243 34566-8253 34566-8263 34566-8273 34566-8283 34566-8293 34566-8313 34566-8323 34566-8333 34566-8343 34566-8353 34566-8363 34566-8373 34566-8383
G45	NX RE-MASTERING
G44	ADD NEW PIN CONFIGURATION 34566-8173
G43	ADD NEW PIN CONFIGURATION 34566-8163 34566-2493 SAME AS P/N 34566-3863
REV	DESCRIPTION

SYMBOLS	THIS DRAWING CONTAINS INFORMATION THAT IS PROPRIETARY TO MOLEX ELECTRONIC TECHNOLOGIES, LLC AND SHOULD NOT BE USED WITHOUT WRITTEN PERMISSION		CURRENT REV DESC:	
	DIMENSION UNITS	SCALE		
▽ = 0	MM	2:1		
▽ = 0	GENERAL TOLERANCES (UNLESS SPECIFIED)			
▽ = 0	ANGULAR TOL	± °		
▽ = 0	4 PLACES	±		
▽ = 0	3 PLACES	±		
▽ = 0	2 PLACES	±		
▽ = 0	1 PLACE	±		
▽ = 0	0 PLACES	±		
■ = 0	DRAFT WHERE APPLICABLE MUST REMAIN WITHIN DIMENSIONS		THIRD ANGLE PROJECTION	DRAWING SERIES
▽ = 0			D-SIZE	34566
			MATERIAL NUMBER	CUSTOMER
			SEE TABLE	GENERAL MARKET
			SHEET NUMBER	
			1 OF 8	

**molex**

MX123  
66/73/80CKT HRNS CONN ASSY

PRODUCT CUSTOMER DRAWING

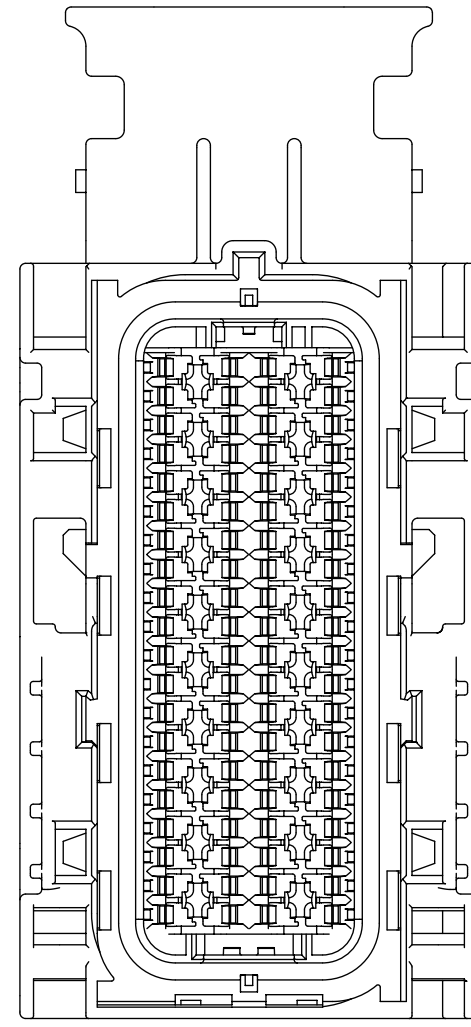
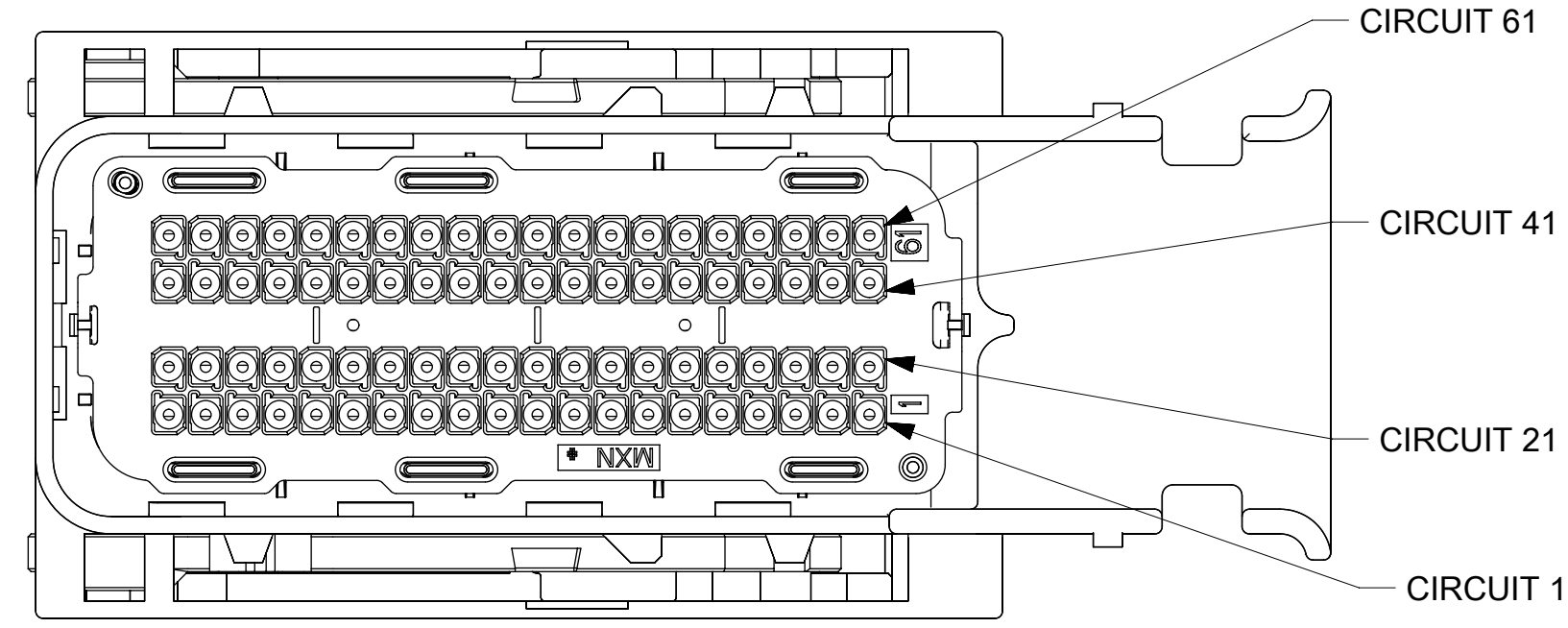
DOCUMENT NUMBER	DOC TYPE	DOC PART	REVISION
SD-34566-001	PSD	000	G63

DOCUMENT STATUS	P1	RELEASE DATE	2018/10/10	03:26:09
-----------------	----	--------------	------------	----------

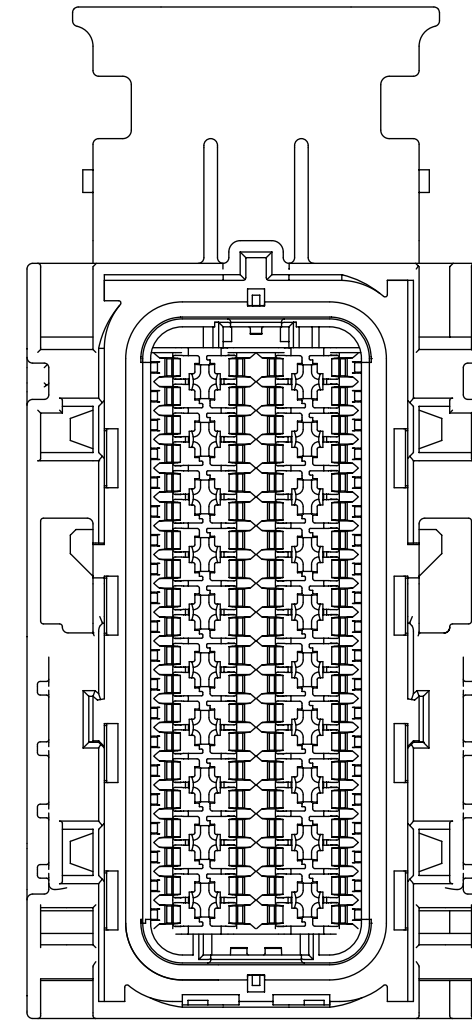
80 CKT

WIRE DRESS OPTION 0

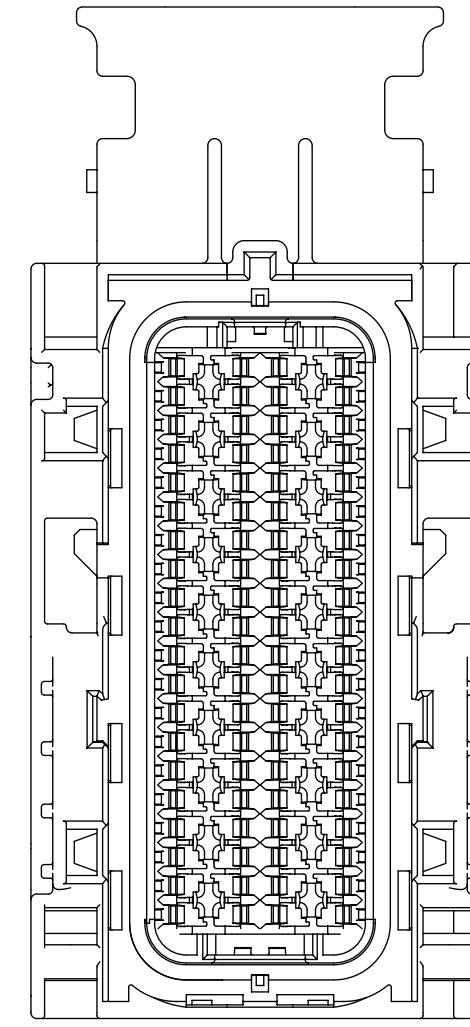
HOUSING ONLY, SHOWN FOR CLARITY



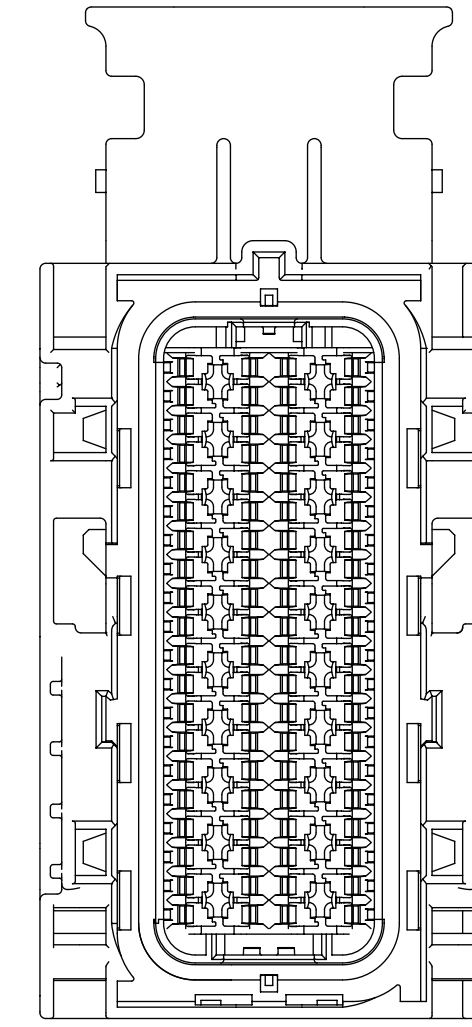
KEY G



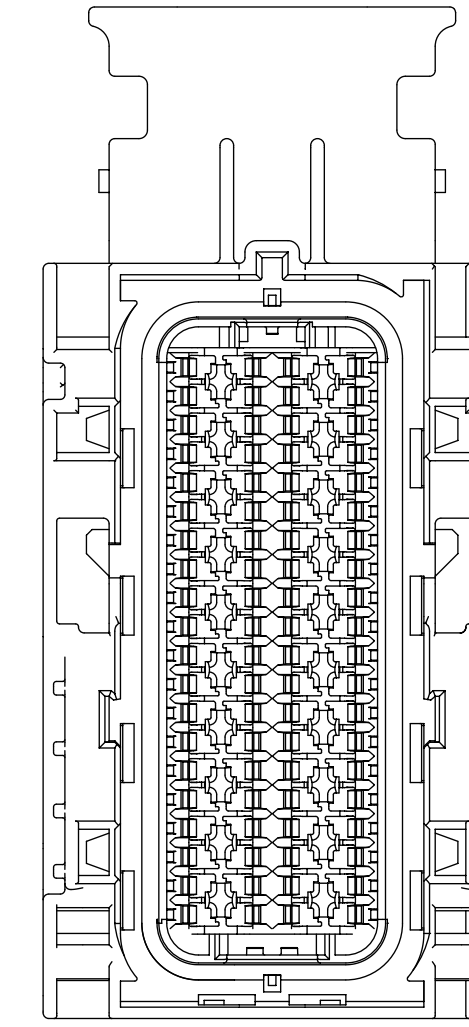
KEY H



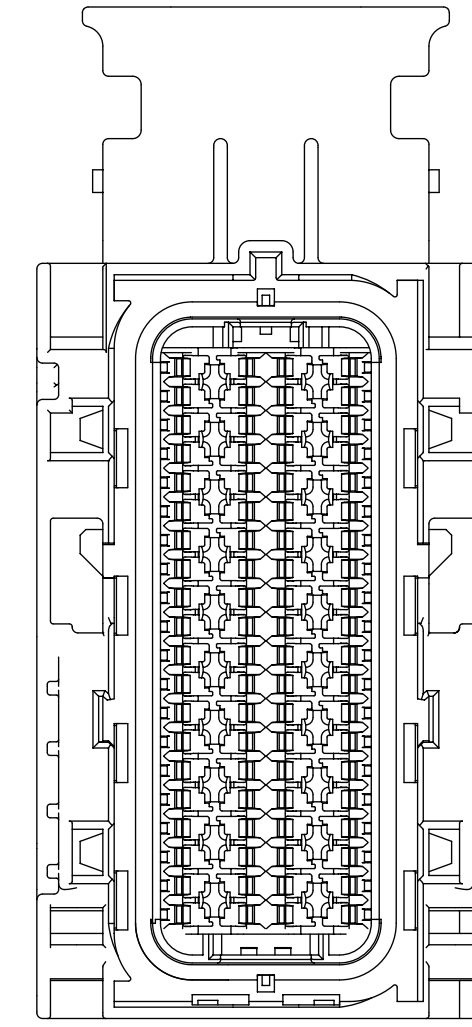
KEY J



KEY K

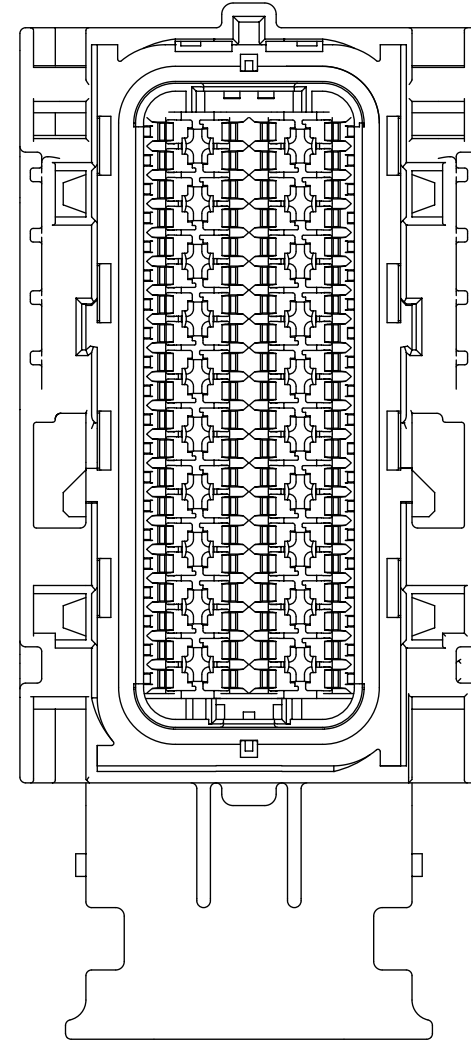
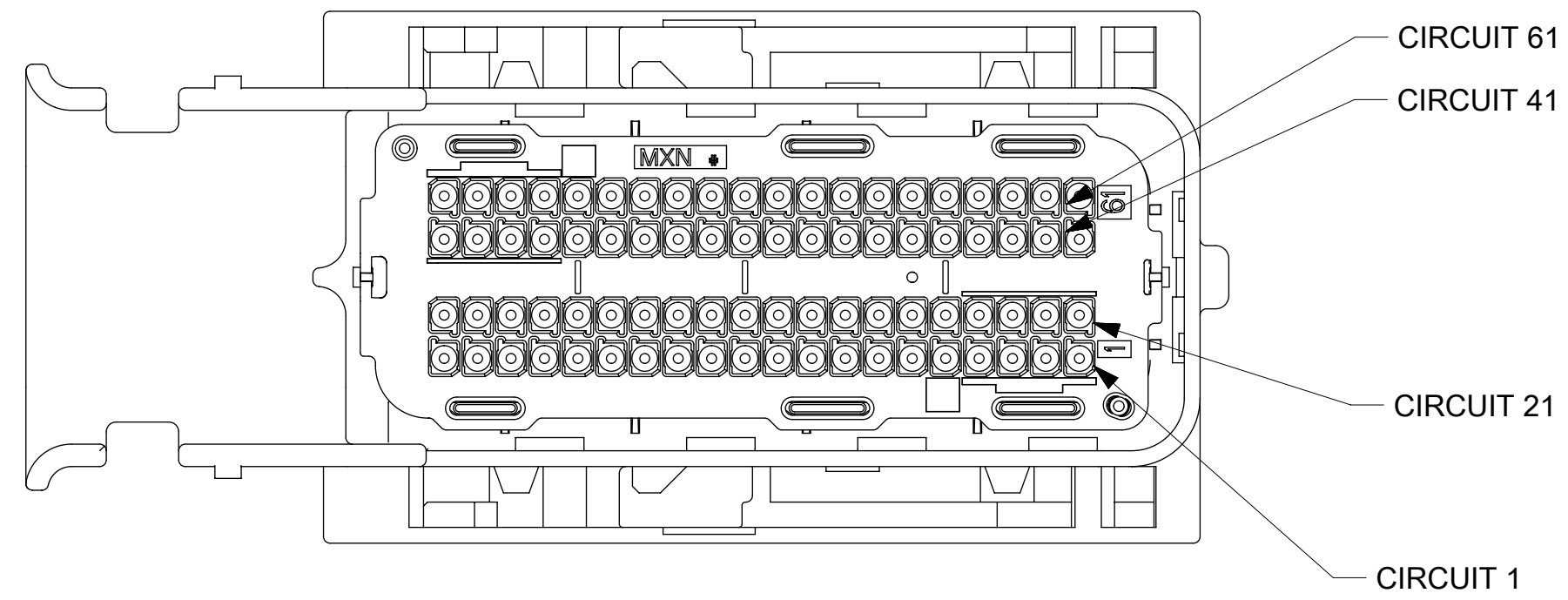


KEY L

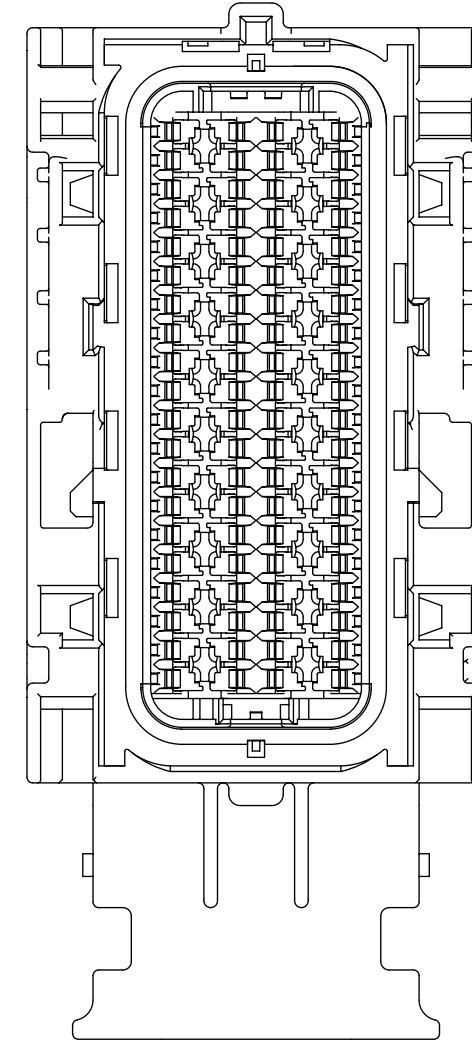


KEY M

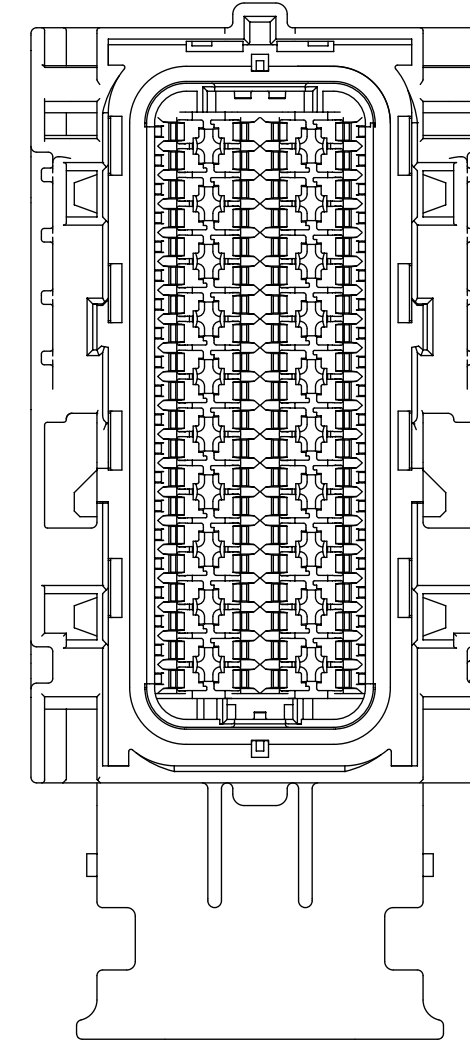
WIRE DRESS OPTION 9



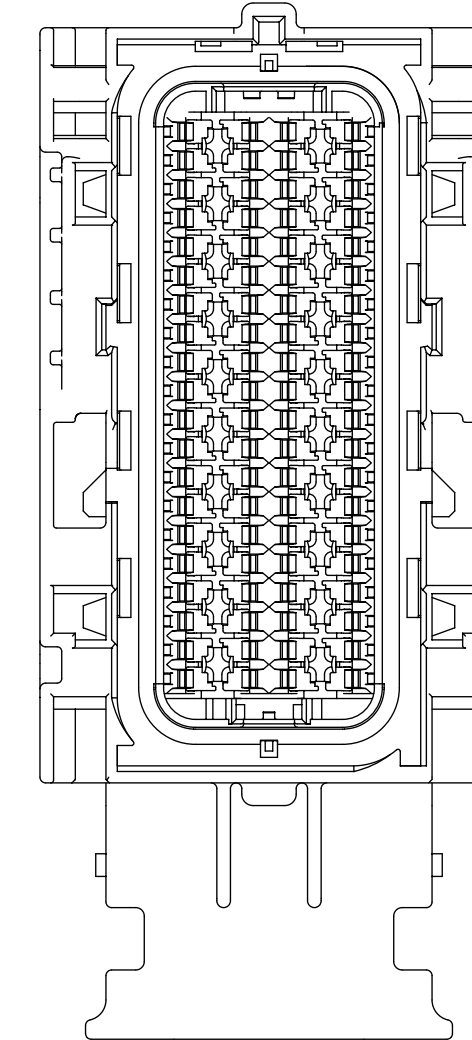
KEY G



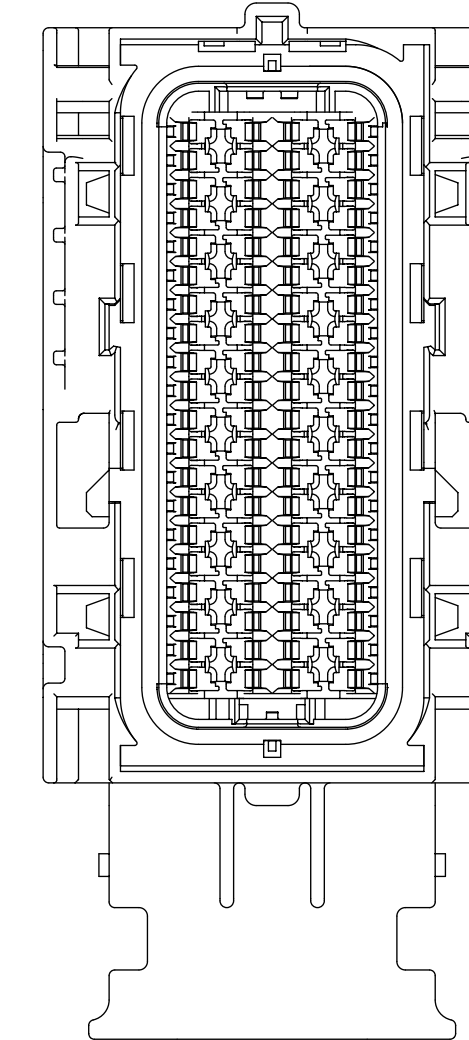
KEY H



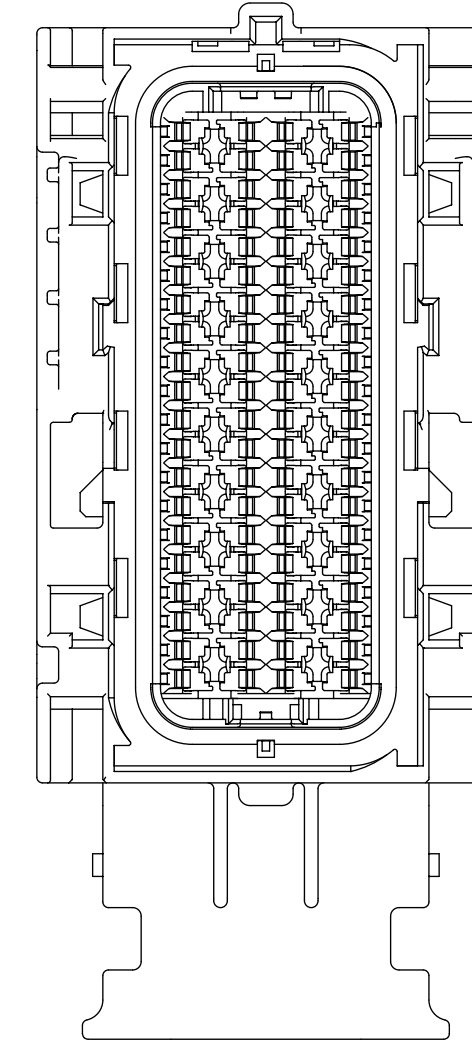
KEY J



KEY K



KEY L



KEY M

SYMBOLS	THIS DRAWING CONTAINS INFORMATION THAT IS PROPRIETARY TO MOLEX ELECTRONIC TECHNOLOGIES, LLC AND SHOULD NOT BE USED WITHOUT WRITTEN PERMISSION		
	DIMENSION UNITS	SCALE	CURRENT REV DESC:
▽ = 0	MM		EC NO: 605052 DRWN: HKLIANG 2018/09/27 CHK'D: JDENG02 2018/10/10 APPR: JDENG02 2018/10/10 INITIAL REVISION: DRWN: TYE 2016/05/06 APPR: SKRAJENDRANA 2016/08/22
▽ = 0	GENERAL TOLERANCES (UNLESS SPECIFIED)		
▽ = 0	ANGULAR TOL	± °	
▽ = 0	4 PLACES	±	
▽ = 0	3 PLACES	±	
▽ = 0	2 PLACES	±	
▽ = 0	1 PLACE	±	
▽ = 0	0 PLACES	±	
■ = 0	DRAFT WHERE APPLICABLE MUST REMAIN WITHIN DIMENSIONS		THIRD ANGLE PROJECTION
▽ = 0			DRAWING SERIES
			D-SIZE 34566
DOCUMENT STATUS		RELEASE DATE	MATERIAL NUMBER
P1	2018/10/10	03:26:09	SD-34566-001
			CUSTOMER
			GENERAL MARKET
			SHEET NUMBER
			2 OF 8

**molex**

MX123  
66/73/80CKT HRNS CONN ASSY

PRODUCT CUSTOMER DRAWING

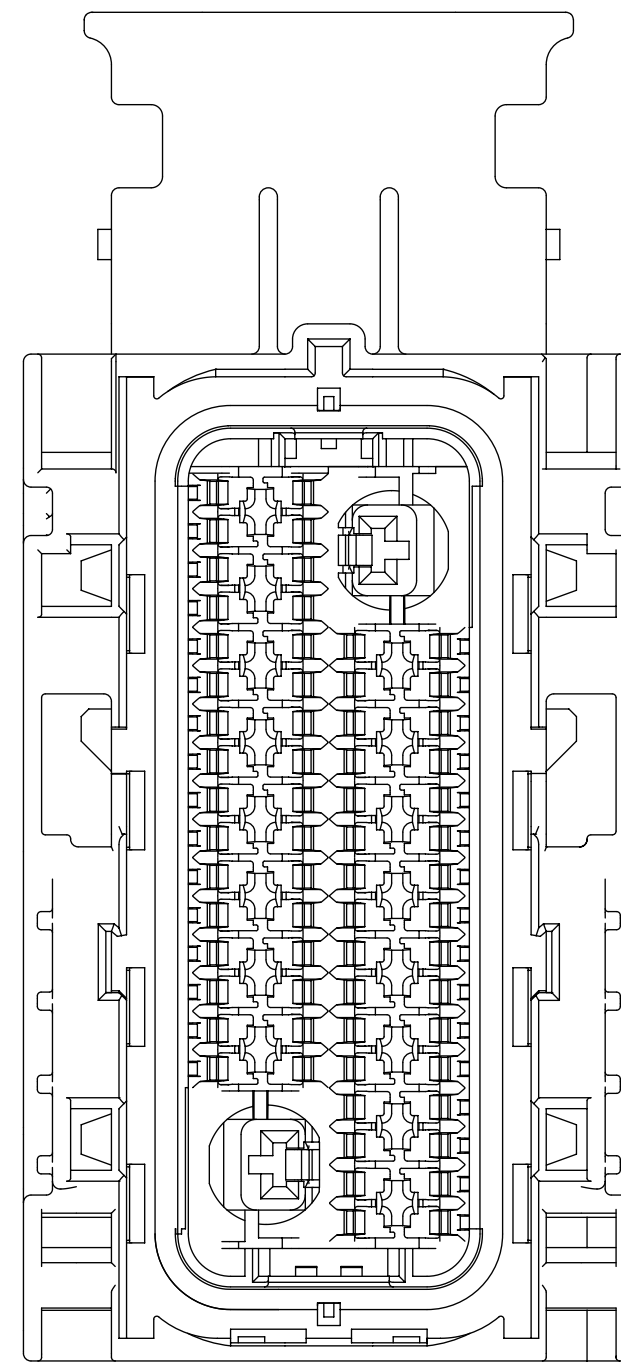
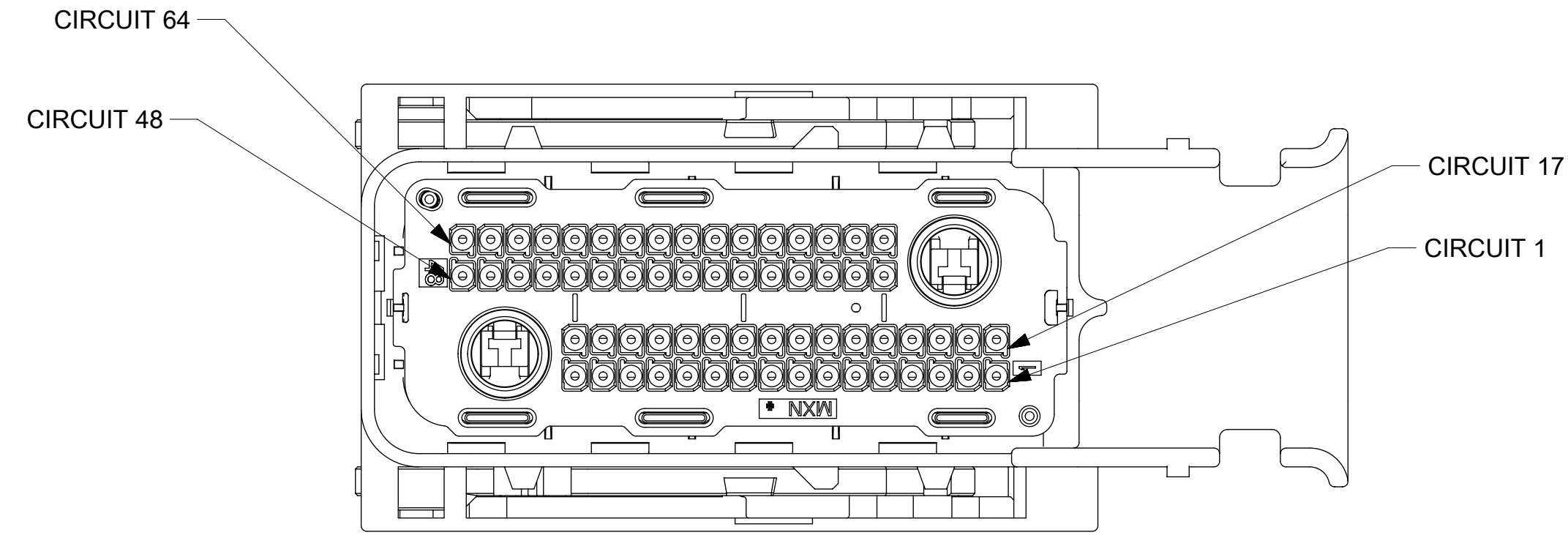
DOCUMENT NUMBER	DOC TYPE	DOC PART	REVISION
SD-34566-001	PSD	000	G63



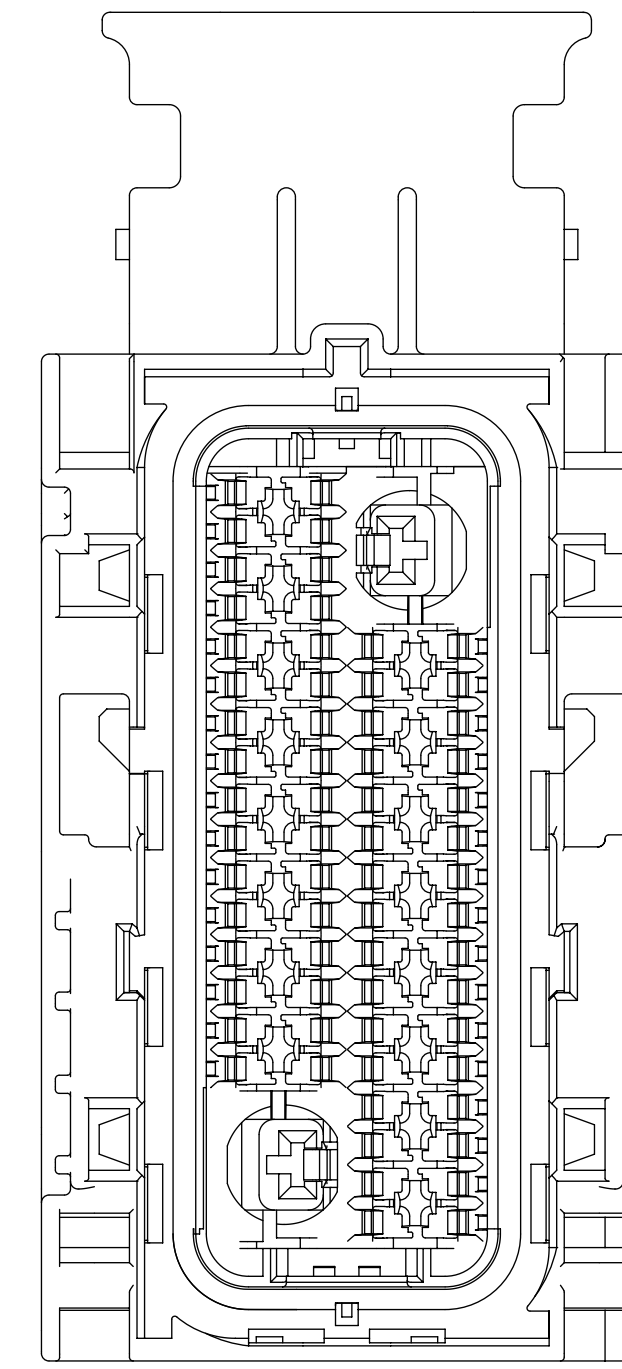


HOUSING ONLY, SHOWN FOR CLARITY

66 CKT  
WIRE DRESS OPTION 0

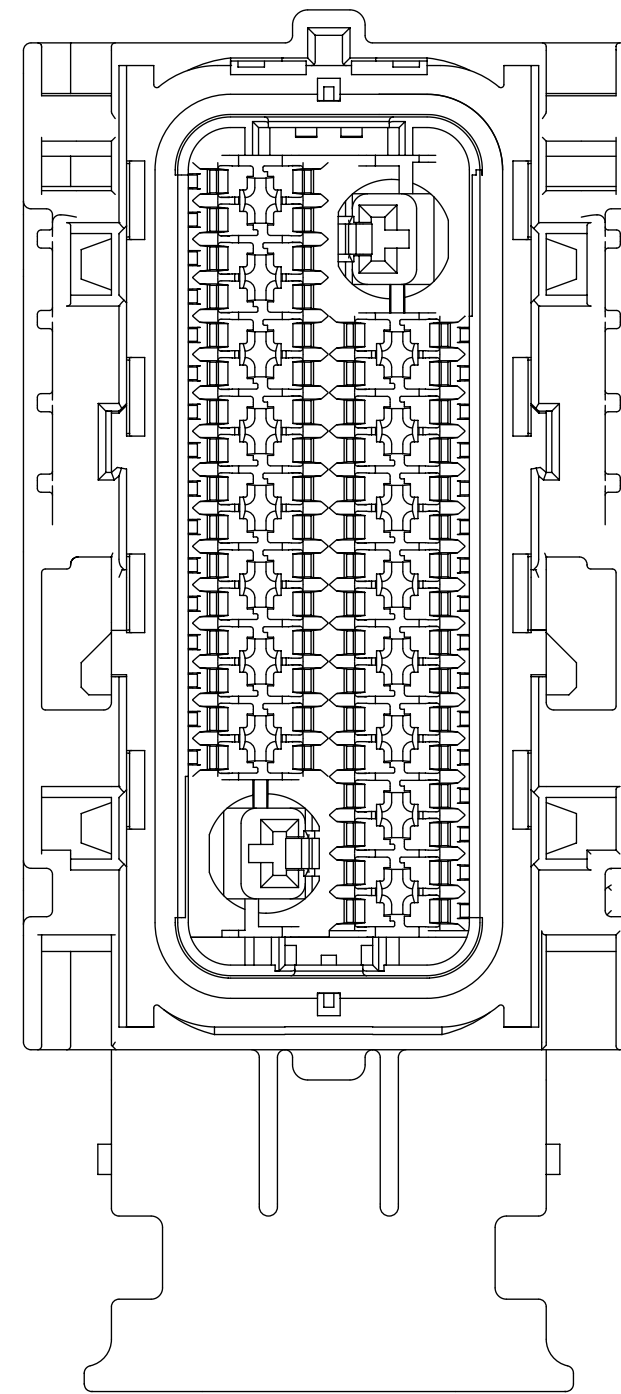
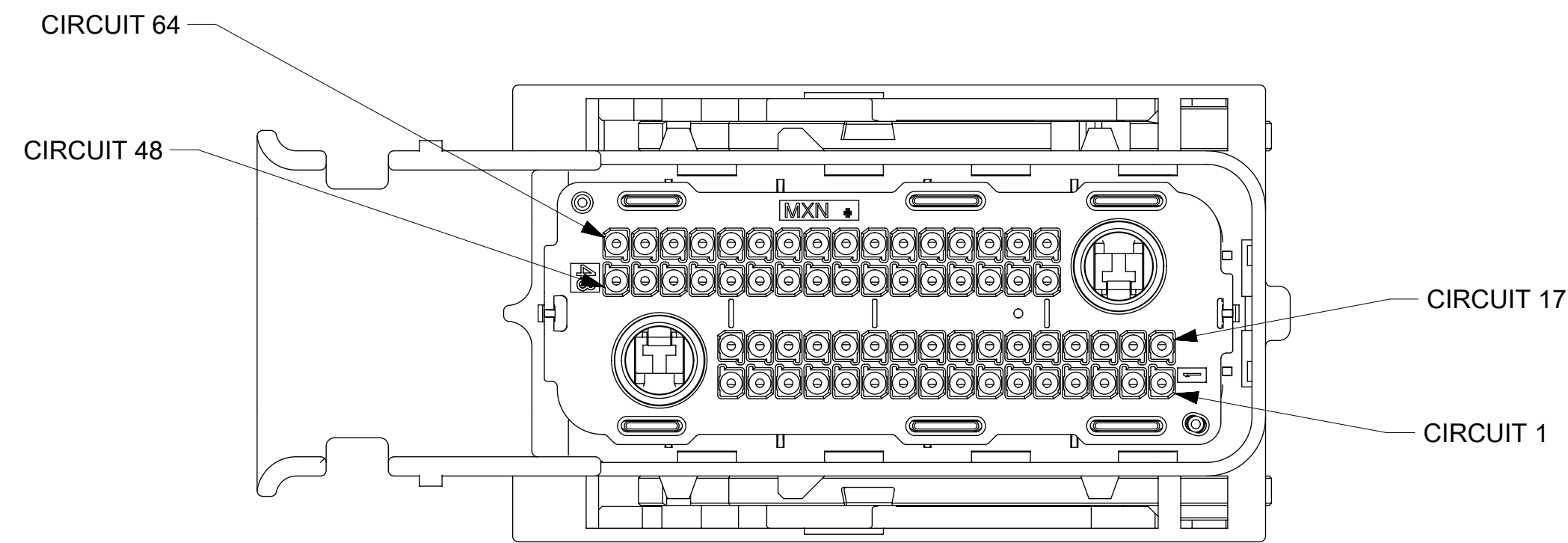


KEY A

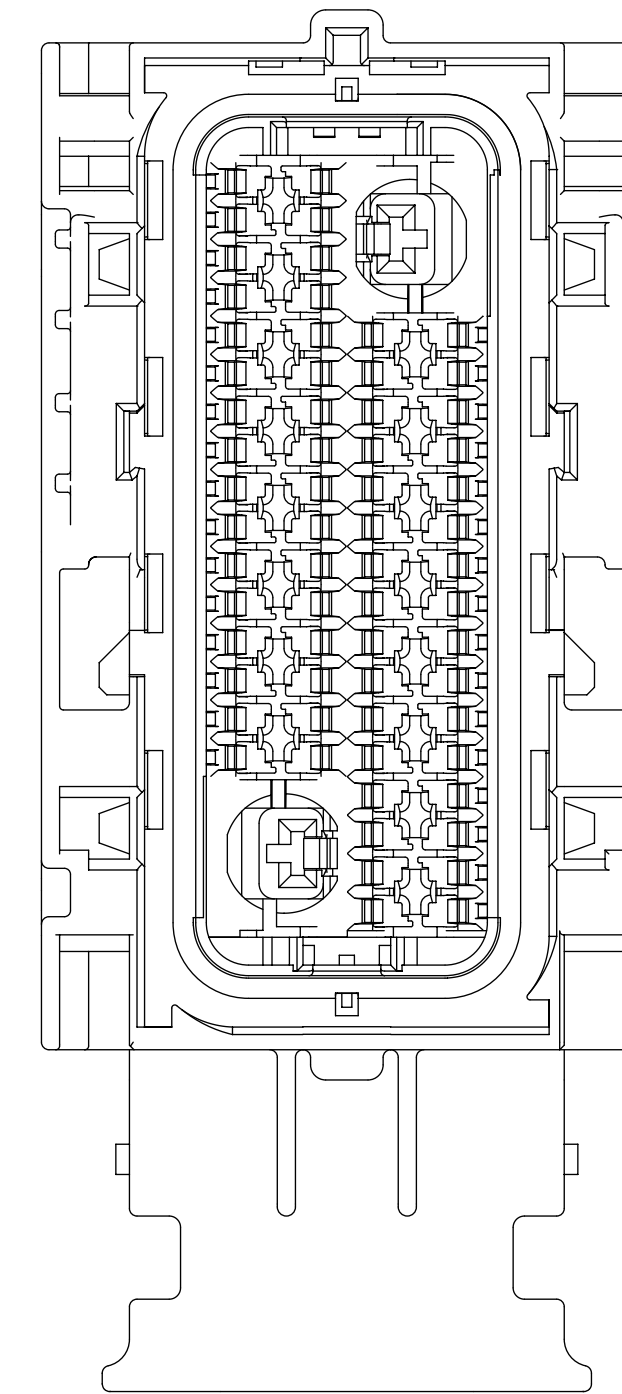


KEY C

WIRE DRESS OPTION 9



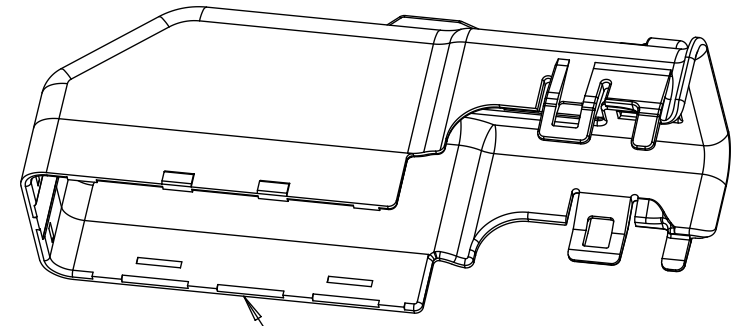
KEY A



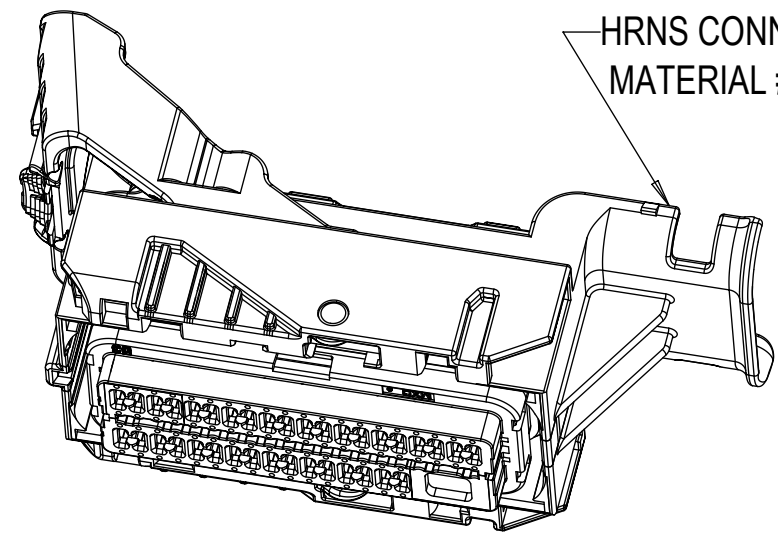
KEY C

<b>SYMBOLS</b> = 0 = 0 = 0 = 0 = 0 = 0 = 0 = 0 = 0 = 0	THIS DRAWING CONTAINS INFORMATION THAT IS PROPRIETARY TO MOLEX ELECTRONIC TECHNOLOGIES, LLC AND SHOULD NOT BE USED WITHOUT WRITTEN PERMISSION		CURRENT REV DESC:				
	DIMENSION UNITS <b>MM</b>	SCALE <b>2:1</b>	EC NO: 605052 DRWN: HKLIANG 2018/09/27 CHK'D: JDENG02 2018/10/10 APPR: JDENG02 2018/10/10				
	GENERAL TOLERANCES (UNLESS SPECIFIED)		INITIAL REVISION:		PRODUCT CUSTOMER DRAWING		
	ANGULAR TOL ± °		DRWN: TYE 2016/05/06 APPR: SKRAJENDRANA 2016/08/22		DOCUMENT NUMBER <b>SD-34566-001</b>		
	4 PLACES ±		DRAFT WHERE APPLICABLE MUST REMAIN WITHIN DIMENSIONS		THIRD ANGLE PROJECTION 		DOC TYPE <b>PSD</b>
	3 PLACES ±		D-SIZE		DOC PART <b>000</b>	REVISION <b>G63</b>	
	2 PLACES ±		SERIES <b>34566</b>		MATERIAL NUMBER SEE TABLE	CUSTOMER GENERAL MARKET	
	1 PLACE ±		SHEET NUMBER <b>4 OF 8</b>				
	0 PLACES ±						

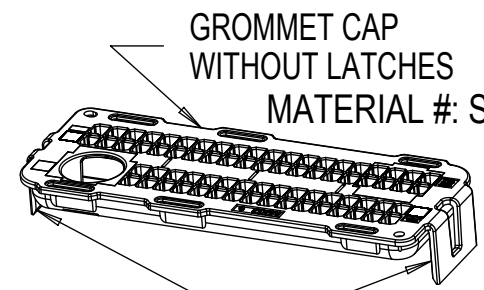
### HRNS ASSY COMPONENT LIST



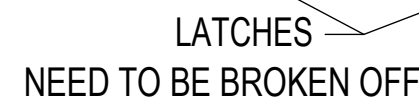
DRESS COVER  
MATERIAL #: SEE HRNS ASSY TABLE



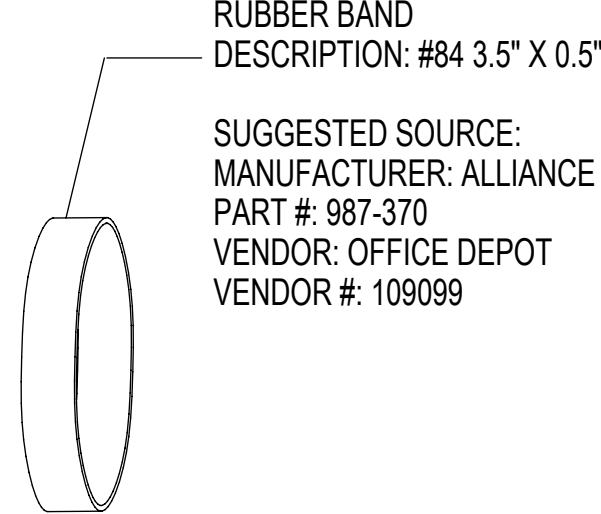
HRNS CONN. ASSY  
MATERIAL #: SEE HRNS ASSY TABLE



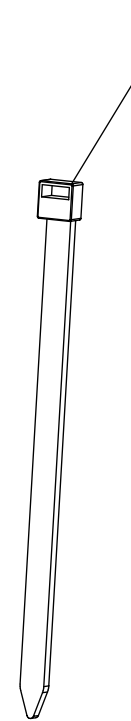
GROMMET CAP WITHOUT LATCHES  
MATERIAL #: SEE HRNS ASSY TABLE



LATCHES  
NEED TO BE BROKEN OFF



RUBBER BAND  
DESCRIPTION: #84 3.5" X 0.5"  
  
SUGGESTED SOURCE:  
MANUFACTURER: ALLIANCE  
PART #: 987-370  
VENDOR: OFFICE DEPOT  
VENDOR #: 109099

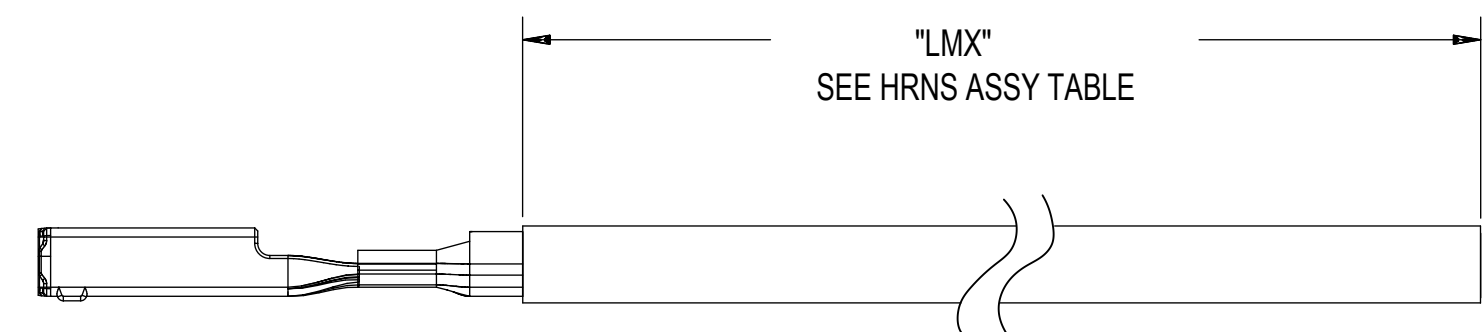


TY-RAP  
DESCRIPTION: SIZE TY25 CABLE TIE  
  
SUGGESTED SOURCE:  
MANUFACTURER: THOMAS & BETTS  
PART #: TY25M  
VENDOR: CRESENT ELEC  
VENDOR #: 104144

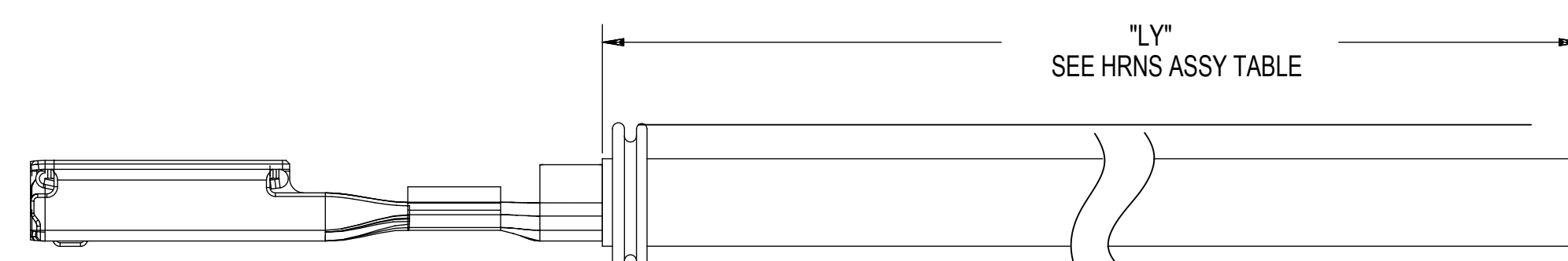
### HRNS ASSY



MX64 WIRE ASSY LOOPED  
MATERIAL #: SEE HRNS ASSY TABLE



MX64 WIRE ASSY PIGTAIL  
MATERIAL #: SEE HRNS ASSY TABLE



2.8mm YESC SEALED FEMALE PIGTAIL ASSY  
MATERIAL #: SEE HRNS ASSY TABLE

## AWG WIRE HRNS ASSY TABLE

TESTED	HRNS ASSY				HRNS CONN ASSY MATERIAL #	DRESS COVER MATERIAL #	GROMMET CAP MATERIAL #	MX64 WIRE ASSY PER E-33468-001						2.8mm YESC SEALED FEMALE TERMINAL TIN					TY-RAP QTY	RUBBER BAND QTY		
	MATERIAL #	CIRCUIT ID	KEY OPTION	WIRE DRESS OPTION				MATERIAL #	MATERIAL #	MATERIAL #	MATERIAL #	RCPT PLATING	SAE WIRE SIZE #	WIRE TYPE	PIGTAIL OR LOOPED	"LMX" IN METERS 10%	QTY	MATERIAL #			SAE WIRE SIZE #	WIRE TYPE
NO	34070-9234	80	H	0	34566-0803	34565-0003	34571-0301	334670203	Ag	18	TXL	PGTL	3	80	N/A	N/A	N/A	N/A	N/A	N/A	6	0
NO	34070-9934	73	A	0	34566-0103	34565-0003	34571-0101	334670203	Ag	18	TXL	PGTL	3	72	343670005	14	TXL	PGTL	3	1	6	0
NO	34070-9834	73	B	0	34566-0203	34565-0003	34571-0101	334670203	Ag	18	TXL	PGTL	3	72	343670005	14	TXL	PGTL	3	1	6	0
(H30) NO	34330-9214	80	H	0	34566-0803	34565-0003	N/A	334670204	Ag	18	TXL	LPD	1	40	N/A	N/A	N/A	N/A	N/A	N/A	3	1
NO	34330-9914	73	A	0	34566-0103	34565-0003	N/A	334670204	Ag	18	TXL	LPD	1	36	343670005	14	TXL	LPD	3	1	3	1
NO	34330-9814	73	B	0	34566-0203	34565-0003	N/A	334670204	Ag	18	TXL	LPD	1	36	343670005	14	TXL	LPD	3	1	3	1
(H30) NO	34333-9214	80	H	0	34566-0803	34565-0003	34571-0301	334670205	Ag	18	PTFE	PGTL	1	40	N/A	N/A	N/A	N/A	N/A	N/A	3	0
NO	34333-9914	73	A	0	34566-0103	34565-0003	34571-0101	334670205	Ag	18	PTFE	PGTL	1	72	N/A	14	PTFE	PGTL	1	1	3	0
NO	34333-9814	73	B	0	34566-0203	34565-0003	34571-0101	334670205	Ag	18	PTFE	PGTL	1	72	N/A	14	PTFE	PGTL	1	1	3	0
NO	34333-9234	80	H	0	34566-0803	34565-0003	34570-0301	334670206	Ag	18	PTFE	PGTL	3	80	N/A	N/A	N/A	N/A	N/A	N/A	6	0
NO	34333-9934	73	A	0	34566-0103	34565-0003	34571-0101	334670206	Ag	18	PTFE	PGTL	3	72	343670006	14	PTFE	PGTL	3	1	6	0
NO	34333-9834	73	B	0	34566-0203	34565-0003	34571-0101	334670206	Ag	18	PTFE	PGTL	3	72	343670006	14	PTFE	PGTL	3	1	6	0
NO	34070-8734	66	A	0	34822-0013	34565-0003	34822-5011	334670203	Ag	18	TXL	PGTL	3	64	343670005	14	TXL	PGTL	3	2	3	0
NO	34070-8754	66	A	0	34822-0013	34565-0003	34822-5011	334670203	Ag	18	TXL	PGTL	5	64	343670007	14	TXL	PGTL	5	2	10	0
NO	34070-9434	73	F	0	34070-0603	34565-0003	34571-0101	334670203	Ag	18	TXL	PGTL	3	72	343670005	14	TXL	PGTL	3	1	6	0
NO	34070-9434	73	F	9	34070-1803	34565-0003	34571-0501	334670203	Ag	18	TXL	PGTL	3	72	343670005	14	TXL	PGTL	3	1	6	0
NO	34070-8534	66	C	0	34822-0033	34565-0003	34571-5011	334670203	Ag	18	TXL	PGTL	3	64	343670005	14	TXL	PGTL	3	2	3	0
NO	34070-8704	66	A	0	34822-0013	34822-0033	34822-5031	N/A	N/A	N/A	N/A	N/A	N/A	N/A	343670005	14	TXL	PGTL	3	2	N/A	N/A
NO	34070-8504	66	C	0	34822-0033	34822-0033	34822-5031	N/A	N/A	N/A	N/A	N/A	N/A	N/A	343670005	14	TXL	PGTL	3	2	N/A	N/A
NO	34330-8734	66	A	0	34822-0013 (QTY2)	34565-0003	N/A	334670208	Ag	18	TXL	LPD	3	64	343670008	14	TXL	LPD	3	2	3	N/A

### PRODUCTION PART # FOR HARNESS ASSEMBLY (WITH WIRES) XXXXX-KKWP

XXXXX- SERIES NUMBER			
SERIES #	CKT SIZE	WIRE TYPE	WIRE DRESS
34070	73/80/66	TXL	PGTL
34330	73/80/66	TXL	LPD
34333	73/80/66	PTFE	PGTL

KK- HARNESS CONNECTOR KEY	
#	73/80 KEY
99	A
98	B
97	C
96	D
95	E
94	F
93	G
92	H
91	J
90	K
89	L
88	M
#	66 KEY
87	A
86	B
85	C

W- MX64 CRIMPED LEAD WIRE LENGTH (m)

P- MX64 RECPT. TERMINAL PLATING  
3 - Au  
4 - Ag

NOTES: UNLESS OTHERWISE SPECIFIED APPLIES TO "HRNS ASSY" ONLY  
1. REFER TO: PACKAGING DRAWING # PK-31300-078  
2. FOR HRNS ASSY WITH WIRE ASSY SEE NEXT PAGE

SYMBOLS	THIS DRAWING CONTAINS INFORMATION THAT IS PROPRIETARY TO MOLEX ELECTRONIC TECHNOLOGIES, LLC AND SHOULD NOT BE USED WITHOUT WRITTEN PERMISSION		CURRENT REV DESC:		
	DIMENSION UNITS: <b>MM</b> GENERAL TOLERANCES (UNLESS SPECIFIED) ANGULAR TOL: ± ° 4 PLACES ± 3 PLACES ± 2 PLACES ± 1 PLACE ± 0 PLACES ± DRAFT WHERE APPLICABLE MUST REMAIN WITHIN DIMENSIONS	SCALE	EC NO: 605052 DRWN: HKLIANG 2018/09/27 CHK'D: JDENG02 2018/10/10 APPR: JDENG02 2018/10/10 INITIAL REVISION: DRWN: TYE 2016/05/06 APPR: SKRAJENDRANA 2016/08/22		
DOCUMENT NUMBER: <b>SD-34566-001</b> DOC TYPE: PSD DOC PART: 000 REVISION: <b>G63</b>			MATERIAL NUMBER: SEE TABLE CUSTOMER: GENERAL MARKET SHEET NUMBER: 5 OF 8		

# AWG WIRE HRNS ASSY TABLE

TESTED	HRNS ASSY				HRNS CONN ASSY MATERIAL #	DRESS COVER MATERIAL #	GROMMET CAP MATERIAL #	MX64 WIRE ASSY PER E-33468-001						2.8mm YESC SEALED FEMALE TERMINAL TIN						TY-RAP QTY	RUBBER BAND QTY	
	MATERIAL #	CIRCUIT ID	KEY OPTION	WIRE DRESS OPTION				MATERIAL #	MATERIAL #	MATERIAL #	MATERIAL #	RCPT PLATING	SAE WIRE SIZE #	WIRE TYPE	PIGTAIL OR LOOPED	"LMX" IN METERS 10%	QTY	MATERIAL #	SAE WIRE SIZE #			WIRE TYPE
NO	34070-9933	73	A	0	34566-0103	34565-0003	34571-0101	334670103	Au	18	TXL	PGTL	3	72	343670005	14	TXL	PGTL	3	1	6	0
NO	34070-9833	73	B	0	34566-0203	34565-0003	34571-0101	334670103	Au	18	TXL	PGTL	3	72	343670005	14	TXL	PGTL	3	1	6	0
NO	34070-9913	73	A	0	34566-0103	34565-0003	34571-0101	334670102	Au	18	TXL	PGTL	1	72	343670005	14	TXL	PGTL	3	1	3	0
NO	34070-9813	73	B	0	34566-0203	34565-0003	34571-0101	334670102	Au	18	TXL	PGTL	1	72	343670005	14	TXL	PGTL	3	1	3	0
NO	34333-9913	73	A	0	34566-0103	34565-0003	34571-0101	334670105	Au	18	PTFE	PGTL	1	72	N/A	14	PTFE	PGTL	1	1	3	0
NO	34333-9813	73	B	0	34566-0203	34565-0003	34571-0101	334670105	Au	18	PTFE	PGTL	1	72	N/A	14	PTFE	PGTL	1	1	3	0
NO	34333-9933	73	A	0	34566-0103	34565-0003	34571-0101	334670106	Au	18	PTFE	PGTL	3	72	343670006	14	PTFE	PGTL	3	1	6	0
NO	34333-9833	73	B	0	34566-0203	34565-0003	34571-0101	334670106	Au	18	PTFE	PGTL	3	72	343670006	14	PTFE	PGTL	3	1	6	0
NO	34070-9233	80	H	0	34566-0803	34565-0003	34571-0301	334670103	Au	18	TXL	PGTL	3	80	N/A	N/A	N/A	N/A	N/A	N/A	6	0
NO	34070-9213	80	H	0	34566-0803	34565-0003	34571-0301	334670102	Au	18	TXL	PGTL	1	80	N/A	N/A	N/A	N/A	N/A	N/A	3	0
NO	34333-9213	80	H	0	34566-0803	34565-0003	34571-0301	334670105	Au	18	PTFE	PGTL	1	80	N/A	N/A	N/A	N/A	N/A	N/A	3	0
NO	34333-9233	80	H	0	34566-0803	34565-0003	34571-0301	334670106	Au	18	PTFE	PGTL	3	80	N/A	N/A	N/A	N/A	N/A	N/A	6	0
YES	34330-9913	73	A	0	34566-0103	34565-0003	N/A	334670104	Au	18	TXL	LPD	1	36	343670005	14	TXL	LPD	3	1	3	1
YES	34330-9813	73	B	0	34566-0203	34565-0003	N/A	334670104	Au	18	TXL	LPD	1	36	343670005	14	TXL	LPD	3	1	3	1
H30 YES	34330-9213	80	H	0	34566-0803	34565-0003	34571-0301	334670104	Au	18	TXL	LPD	1	40	N/A	N/A	N/A	N/A	N/A	N/A	3	1
NO	34070-9733	73	C	0	34566-0303	34565-0003	34571-0101	334670103	Au	18	TXL	PGTL	3	72	343670005	14	TXL	PGTL	3	1	6	0
NO	34070-9713	73	C	0	34566-0303	34565-0003	34571-0101	334670102	Au	18	TXL	PGTL	1	72	343670005	14	TXL	PGTL	3	1	3	0
NO	34330-9713	73	C	0	34566-0303	34565-0003	34571-0101	334670104	Au	18	TXL	LPD	1	36	343670005	14	TXL	LPD	3	1	3	1
NO	34333-9713	73	C	0	34566-0303	34565-0003	34571-0101	334670105	Au	18	PTFE	PGTL	1	72	N/A	14	PTFE	PGTL	1	1	3	0
NO	34333-9733	73	C	0	34566-0303	34565-0003	34571-0101	334670106	Au	18	PTFE	PGTL	3	72	343670006	14	PTFE	PGTL	3	1	6	0
NO	34070-9333	80	G	0	34566-0703	34565-0003	34571-0301	334670103	Au	18	TXL	PGTL	3	80	N/A	N/A	N/A	N/A	N/A	N/A	6	0
NO	34070-9313	80	G	0	34566-0703	34565-0003	34571-0301	334670102	Au	18	TXL	PGTL	1	80	N/A	N/A	N/A	N/A	N/A	N/A	3	0
H30 NO	34330-9313	80	G	0	34566-0703	34565-0003	34571-0301	334670104	Au	18	TXL	LPD	1	40	N/A	N/A	N/A	N/A	N/A	N/A	3	1
NO	34333-9313	80	G	0	34566-0703	34565-0003	34571-0301	334670105	Au	18	PTFE	PGTL	1	80	N/A	N/A	N/A	N/A	N/A	N/A	3	0
NO	34333-9333	80	G	0	34566-0703	34565-0003	34571-0301	334670106	Au	18	PTFE	PGTL	3	80	N/A	N/A	N/A	N/A	N/A	N/A	6	0
NO	34070-9934	73	A	0	34566-0103	34565-0003	34571-0101	334670203	Ag	18	TXL	PGTL	3	72	343670005	14	TXL	PGTL	3	1	6	0
NO	34070-9834	73	B	0	34566-0203	34565-0003	34571-0101	334670203	Ag	18	TXL	PGTL	3	72	343670005	14	TXL	PGTL	3	1	6	0
NO	34070-9914	73	A	0	34566-0103	34565-0003	34571-0101	334670202	Ag	18	TXL	PGTL	1	72	343670005	14	TXL	PGTL	3	1	3	0
NO	34070-9814	73	B	0	34566-0203	34565-0003	34571-0101	334670202	Ag	18	TXL	PGTL	1	72	343670005	14	TXL	PGTL	3	1	3	0
NO	34070-9234	80	H	0	34566-0803	34565-0003	34571-0301	334670203	Ag	18	TXL	PGTL	3	80	N/A	N/A	N/A	N/A	N/A	N/A	6	0
NO	34070-9214	80	H	0	34566-0803	34565-0003	34571-0301	334670202	Ag	18	TXL	PGTL	1	80	N/A	N/A	N/A	N/A	N/A	N/A	3	0
YES	34330-9914	73	A	0	34566-0103	34565-0003	N/A	334670204	Ag	18	TXL	LPD	1	36	343670005	14	TXL	LPD	3	1	3	1
YES	34330-9814	73	B	0	34566-0203	34565-0003	N/A	334670204	Ag	18	TXL	LPD	1	36	343670005	14	TXL	LPD	3	1	3	1
H30 YES	34330-9214	80	H	0	34566-0803	34565-0003	34571-0301	334670204	Ag	18	TXL	LPD	1	40	N/A	N/A	N/A	N/A	N/A	N/A	3	1
NO	34070-9734	73	C	0	34566-0303	34565-0003	34571-0101	334670203	Ag	18	TXL	PGTL	3	72	343670005	14	TXL	PGTL	3	1	6	0
NO	34070-9714	73	C	0	34566-0303	34565-0003	34571-0101	334670202	Ag	18	TXL	PGTL	1	72	343670005	14	TXL	PGTL	3	1	3	0
NO	34330-9714	73	C	0	34566-0303	34565-0003	N/A	334670204	Ag	18	TXL	LPD	1	36	343670005	14	TXL	LPD	3	1	3	1
NO	34070-9334	80	G	0	34566-0703	34565-0003	34571-0301	334670203	Ag	18	TXL	PGTL	3	80	N/A	N/A	N/A	N/A	N/A	N/A	6	0
NO	34070-9314	80	G	0	34566-0703	34565-0003	34571-0301	334670202	Ag	18	TXL	PGTL	1	80	N/A	N/A	N/A	N/A	N/A	N/A	3	0
H30 NO	34330-9314	80	G	0	34566-0703	34565-0003	N/A	334670204	Ag	18	TXL	LPD	1	40	N/A	N/A	N/A	N/A	N/A	N/A	3	1
NO	34070-9414	73	F	0	34566-0603	34565-0003	34571-0101	334670204	Ag	18	TXL	PGTL	1	72	343670001	14	TXL	PGTL	1	1	3	0
NO	34070-9434	73	F	0	34566-0603	34565-0003	34571-0101	334670204	Ag	18	TXL	PGTL	3	72	343670005	14	TXL	PGTL	3	1	6	0
NO	34333-9734	73	C	0	34566-0303	34565-0003	34571-0101	334670206	Ag	18	PTFE	PGTL	3	72	343670006	14	PTFE	PGTL	3	1	6	0

SYMBOLS	THIS DRAWING CONTAINS INFORMATION THAT IS PROPRIETARY TO MOLEX ELECTRONIC TECHNOLOGIES, LLC AND SHOULD NOT BE USED WITHOUT WRITTEN PERMISSION									
▽ = 0	DIMENSION UNITS	SCALE	CURRENT REV DESC:							
▽ = 0	MM		EC NO: 605052 DRWN: HKLIANG 2018/09/27 CHK'D: JDENG02 2018/10/10 APPR: JDENG02 2018/10/10 INITIAL REVISION: DRWN: TYE 2016/05/06 APPR: SKRAJENDRANA 2016/08/22							
▽ = 0	GENERAL TOLERANCES (UNLESS SPECIFIED)									
▽ = 0	ANGULAR TOL	± °								
▽ = 0	4 PLACES	±								
▽ = 0	3 PLACES	±								
▽ = 0	2 PLACES	±								
▽ = 0	1 PLACE	±								
▽ = 0	0 PLACES	±								
■ = 0	DRAFT WHERE APPLICABLE MUST REMAIN WITHIN DIMENSIONS		THIRD ANGLE PROJECTION	DRAWING	SERIES	MATERIAL NUMBER	CUSTOMER	SHEET NUMBER		
▽ = 0				D-SIZE	34566	SEE TABLE	GENERAL MARKET	6 OF 8		

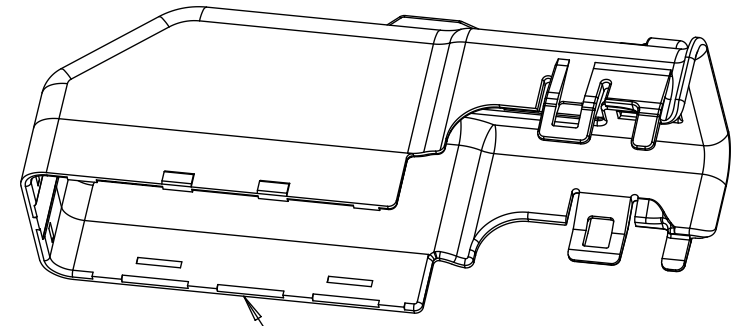
MX123  
66/73/80CKT HRNS CONN ASSY

PRODUCT CUSTOMER DRAWING

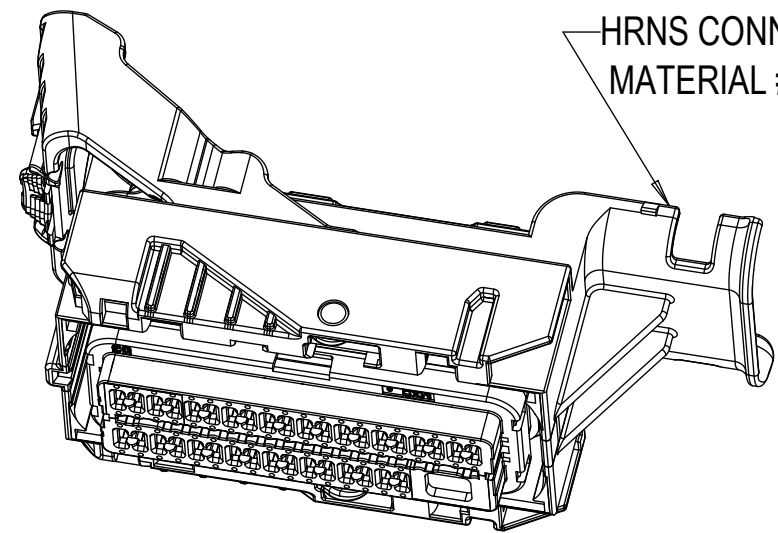
DOCUMENT NUMBER: **SD-34566-001**    DOC TYPE: PSD    DOC PART: 000    REVISION: G63



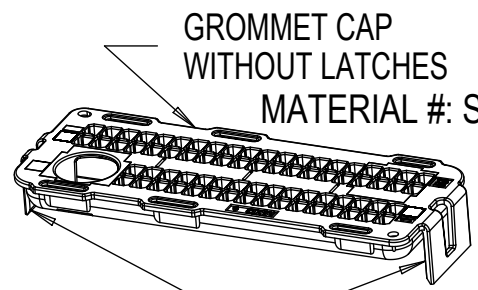
### HRNS ASSY COMPONENT LIST



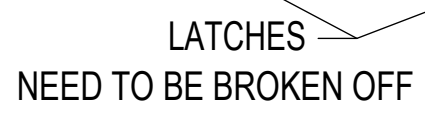
DRESS COVER  
MATERIAL #: SEE HRNS ASSY TABLE



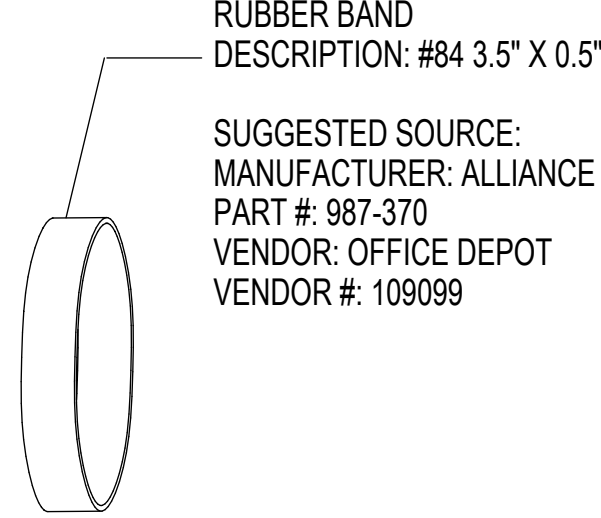
HRNS CONN. ASSY  
MATERIAL #: SEE HRNS ASSY TABLE



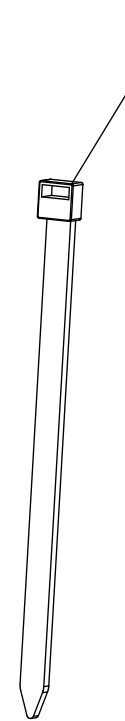
GROMMET CAP WITHOUT LATCHES  
MATERIAL #: SEE HRNS ASSY TABLE



LATCHES  
NEED TO BE BROKEN OFF



RUBBER BAND  
DESCRIPTION: #84 3.5" X 0.5"  
  
SUGGESTED SOURCE:  
MANUFACTURER: ALLIANCE  
PART #: 987-370  
VENDOR: OFFICE DEPOT  
VENDOR #: 109099

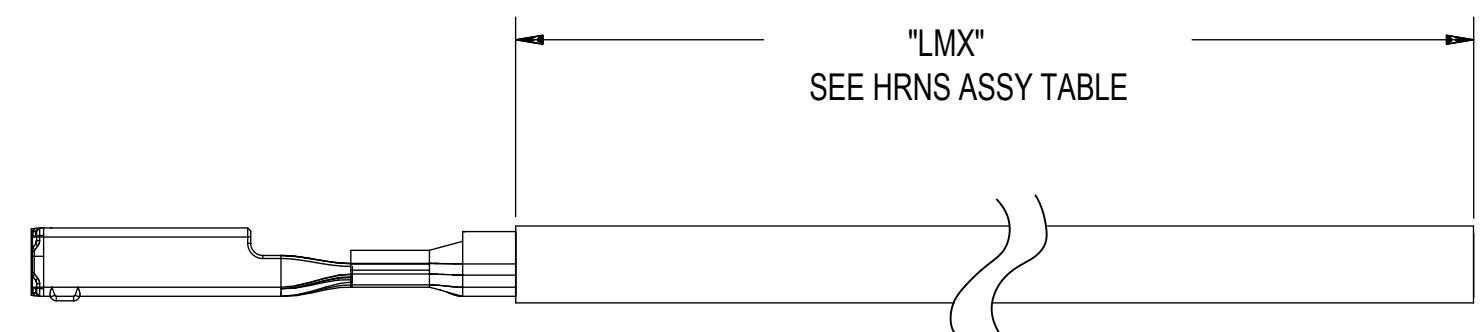


TY-RAP  
DESCRIPTION: SIZE TY25 CABLE TIE  
  
SUGGESTED SOURCE:  
MANUFACTURER: THOMAS & BETTS  
PART #: TY25M  
VENDOR: CRESENT ELEC  
VENDOR #: 104144

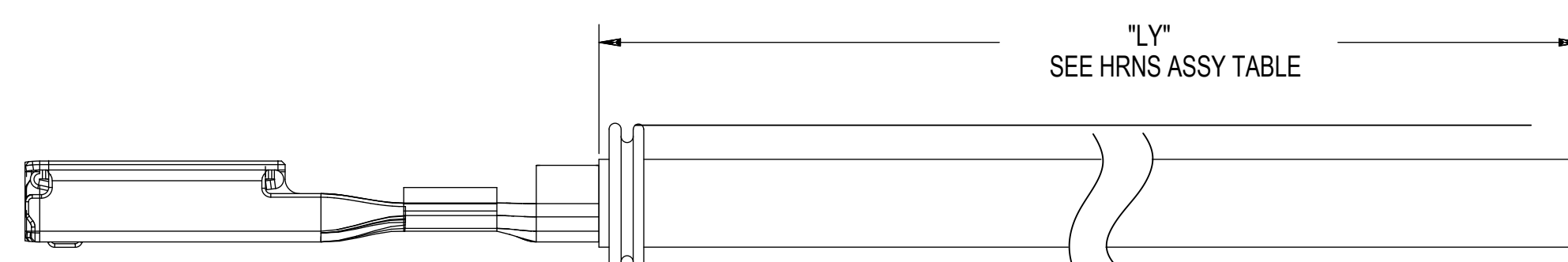
### HRNS ASSY



MX64 WIRE ASSY LOOPED  
MATERIAL #: SEE HRNS ASSY TABLE



MX64 WIRE ASSY PIGTAIL  
MATERIAL #: SEE HRNS ASSY TABLE



2.8mm YESC SEALED FEMALE PIGTAIL ASSY  
MATERIAL #: SEE HRNS ASSY TABLE

## ISO WIRE HRNS ASSY TABLE

TESTED	HRNS ASSY				HRNS CONN ASSY MATERIAL #	DRESS COVER MATERIAL #	GROMMET CAP MATERIAL #	MX64 WIRE ASSY PER E-33468-001						2.8mm YESC SEALED FEMALE TERMINAL TIN					TY-RAP QTY	RUBBER BAND QTY		
	MATERIAL #	CIRCUIT ID	KEY OPTION	WIRE DRESS OPTION				MATERIAL #	MATERIAL #	MATERIAL #	MATERIAL #	RCPT PLATING	WIRE SIZE mm <sup>2</sup>	WIRE TYPE	PIGTAIL OR LOOPED	"LMX" IN METERS 10%	QTY	MATERIAL #			WIRE SIZE # mm <sup>2</sup>	WIRE TYPE
NO	2047789931	73	A	0	34566-0103	34565-0003	34571-0101	2047801003	Ag	0.35	ISO	PGTL	3	72	2047811003	2	ISO	PGTL	3	1	6	0
NO	2047789831	73	B	0	34566-0203	34565-0003	34571-0101	2047801003	Ag	0.35	ISO	PGTL	3	72	2047811003	2	ISO	PGTL	3	1	6	0
NO	2047789731	73	C	0	34566-0303	34565-0003	34571-0101	2047801003	Ag	0.35	ISO	PGTL	3	72	2047811003	2	ISO	PGTL	3	1	6	0
NO	2047789431	73	F	0	34566-0603	34565-0003	34571-0101	2047801003	Ag	0.35	ISO	PGTL	3	72	2047811003	2	ISO	PGTL	3	1	6	0
NO	2047789932	73	A	0	34566-0103	34565-0003	34571-0101	2047802003	Ag	0.50	ISO	PGTL	3	72	2047811003	2	ISO	PGTL	3	1	6	0
NO	2047789832	73	B	0	34566-0203	34565-0003	34571-0101	2047802003	Ag	0.50	ISO	PGTL	3	72	2047811003	2	ISO	PGTL	3	1	6	0
NO	2047789732	73	C	0	34566-0303	34565-0003	34571-0101	2047802003	Ag	0.50	ISO	PGTL	3	72	2047811003	2	ISO	PGTL	3	1	6	0
NO	2047789432	73	F	0	34566-0603	34565-0003	34571-0101	2047802003	Ag	0.50	ISO	PGTL	3	72	2047811003	2	ISO	PGTL	3	1	6	0
NO	2047789933	73	A	0	34566-0103	34565-0003	34571-0101	2047803003	Ag	0.75	ISO	PGTL	3	72	2047811003	2	ISO	PGTL	3	1	6	0
NO	2047789833	73	B	0	34566-0203	34565-0003	34571-0101	2047803003	Ag	0.75	ISO	PGTL	3	72	2047811003	2	ISO	PGTL	3	1	6	0
NO	2047789733	73	C	0	34566-0303	34565-0003	34571-0101	2047803003	Ag	0.75	ISO	PGTL	3	72	2047811003	2	ISO	PGTL	3	1	6	0
NO	2047789433	73	F	0	34566-0603	34565-0003	34571-0101	2047803003	Ag	0.75	ISO	PGTL	3	72	2047811003	2	ISO	PGTL	3	1	6	0
NO	2047799911	73	A	0	34566-0103	34565-0003	34571-0101	2047801101	Ag	0.35	ISO	LPD	1	72	2047811101	2	ISO	LPD	1	1	3	0
NO	2047799811	73	B	0	34566-0203	34565-0003	34571-0101	2047801101	Ag	0.35	ISO	LPD	1	72	2047811101	2	ISO	LPD	1	1	3	0
NO	2047799711	73	C	0	34566-0303	34565-0003	34571-0101	2047801101	Ag	0.35	ISO	LPD	1	72	2047811101	2	ISO	LPD	1	1	3	0
NO	2047799411	73	F	0	34566-0603	34565-0003	34571-0101	2047801101	Ag	0.35	ISO	LPD	1	72	2047811101	2	ISO	LPD	1	1	3	0
NO	2047799912	73	A	0	34566-0103	34565-0003	34571-0101	2047802101	Ag	0.50	ISO	LPD	1	72	2047811101	2	ISO	LPD	1	1	3	0
NO	2047799812	73	B	0	34566-0203	34565-0033	34571-0101	2047802101	Ag	0.50	ISO	LPD	1	72	2047811101	2	ISO	LPD	1	1	3	0
NO	2047799712	73	C	0	34566-0303	34565-0033	34571-0101	2047802101	Ag	0.50	ISO	LPD	1	72	2047811101	2	ISO	LPD	1	1	3	0
NO	2047799412	73	F	0	34566-0603	34565-0003	34571-0101	2047802101	Ag	0.50	ISO	LPD	1	72	2047811101	2	ISO	LPD	1	1	3	0
NO	2047799913	73	A	0	34566-0103	34565-0003	34571-0101	2047803101	Ag	0.75	ISO	LPD	1	72	2047811101	2	ISO	LPD	1	1	3	0
NO	2047799813	73	B	0	34566-0203	34565-0003	34571-0101	2047803101	Ag	0.75	ISO	LPD	1	72	2047811101	2	ISO	LPD	1	1	3	0
NO	2047799713	73	C	0	34566-0303	34565-0003	34571-0101	2047803101	Ag	0.75	ISO	LPD	1	72	2047811101	2	ISO	LPD	1	1	3	0
NO	2047799413	73	F	0	34566-0603	34565-0003	34571-0101	2047803101	Ag	0.75	ISO	LPD	1	72	2047811101	2	ISO	LPD	1	1	3	0
NO	2047789333	80	G	0	34566-0703	34565-0003	34571-0301	2047803003	Ag	0.75	ISO	PGTL	3	80	N/A	N/A	N/A	N/A	N/A	N/A	6	0
NO	2047789233	80	H	0	34566-0803	34565-0003	34571-0301	2047803003	Ag	0.75	ISO	PGTL	3	80	N/A	N/A	N/A	N/A	N/A	N/A	6	0

### PRODUCTION PART # FOR HARNESS ASSEMBLY (WITH WIRES) XXXXX-KKLW

XXXXXX- SERIES NUMBER			
SERIES #	CKT SIZE	WIRE TYPE	WIRE DRESS
204778	80/73/66	ISO*	PGTL
204779	80/73/66	ISO*	LPD

KK- HARNESS CONNECTOR KEY	
#	73/80 KEY
99	A
98	B
97	C
96	D
95	E
94	F
93	G
92	H
91	J
90	K
89	L
88	M
#	66 KEY
87	A
86	B
85	C

L - MX64 CRIMPED LEAD WIRE LENGTH (m)  
W - MX64 CRIMPED LEAD WIRE WIDTH (mm<sup>2</sup>)  
1 - 0.35  
2 - 0.50  
3 - 0.75

NOTES: UNLESS OTHERWISE SPECIFIED APPLIES TO "HRNS ASSY" ONLY  
1. REFER TO: PACKAGING DRAWING # PK-31300-078  
2. FOR HRNS ASSY WITH WIRE ASSY SEE NEXT PAGE

SYMBOLS	THIS DRAWING CONTAINS INFORMATION THAT IS PROPRIETARY TO MOLEX ELECTRONIC TECHNOLOGIES, LLC AND SHOULD NOT BE USED WITHOUT WRITTEN PERMISSION		CURRENT REV DESC:	
	DIMENSION UNITS	SCALE		
▽ = 0	MM			<p>EC NO: 605052 DRWN: HKLIANG 2018/09/27 CHK'D: JDENG02 2018/10/10 APPR: JDENG02 2018/10/10</p> <p>INITIAL REVISION: DRWN: TYE 2016/05/06 APPR: SKRAJENDRANA 2016/08/22</p>
▽ = 0	GENERAL TOLERANCES (UNLESS SPECIFIED)		<p><b>molex</b></p> <p>MX123 66/73/80CKT HRNS CONN ASSY</p> <p>PRODUCT CUSTOMER DRAWING</p>	
▽ = 0	ANGULAR TOL ± °			
▽ = 0	4 PLACES ±			
▽ = 0	3 PLACES ±			
▽ = 0	2 PLACES ±			
▽ = 0	1 PLACE ±			
▽ = 0	0 PLACES ±		<p>DOCUMENT NUMBER: <b>SD-34566-001</b></p> <p>DOC TYPE: PSD DOC PART: 000 REVISION: G63</p>	
▽ = 0	DRAFT WHERE APPLICABLE MUST REMAIN WITHIN DIMENSIONS			
⊕	THIRD ANGLE PROJECTION	DRAWING	SERIES	MATERIAL NUMBER
⊕		D-SIZE	34566	SEE TABLE
⊕		GENERAL MARKET		SHEET NUMBER
⊕				7 OF 8

# ISO WIRE HRNS ASSY TABLE

TESTED	HRNS ASSY				HRNS CONN ASSY	DRESS COVER	GROMMET CAP	MX64 WIRE ASSY PER E-33468-001						2.8mm YESC SEALED FEMALE TERMINAL TIN					TY-RAP	RUBBER BAND		
	MATERIAL #	CIRCUIT ID	KEY OPTION	WIRE DRESS OPTION	MATERIAL #	MATERIAL #	MATERIAL #	MATERIAL #	RCPT PLATING	WIRE SIZE # mm²	WIRE TYPE	PIGTAIL OR LOOPED	"LMX" IN METERS 10%	QTY	MATERIAL #	WIRE SIZE # mm²	WIRE TYPE	PIGTAIL OR LOOPED	"LMX" IN METERS 10%	QTY	QTY	QTY
NO	2047789331	80	G	0	34566-0703	34565-0003	34571-0301	2047801003	Ag	0.35	ISO	PGTL	3	80	2047811003	2	ISO	PGTL	3	N/A	6	0
NO	2047789231	80	H	0	34566-0803	34565-0003	34571-0301	2047801003	Ag	0.35	ISO	PGTL	3	80	2047811003	2	ISO	PGTL	3	N/A	6	0
NO	2047789332	80	G	0	34566-0703	34565-0003	34571-0301	2047802003	Ag	0.50	ISO	PGTL	3	80	2047811003	2	ISO	PGTL	3	N/A	6	0
NO	2047789232	80	H	0	34566-0803	34565-0003	34571-0301	2047802003	Ag	0.50	ISO	PGTL	3	80	2047811003	2	ISO	PGTL	3	N/A	6	0
NO	2047789333	80	G	0	34566-0703	34565-0003	34571-0301	2047803003	Ag	0.75	ISO	PGTL	3	80	2047811003	2	ISO	PGTL	3	N/A	6	0
NO	2047789233	80	H	0	34566-0803	34565-0003	34571-0301	2047803003	Ag	0.75	ISO	PGTL	3	80	2047811003	2	ISO	PGTL	3	N/A	6	0
NO	2047799311	80	G	0	34566-0703	34565-0003	N/A	2047801101	Ag	0.35	ISO	LPD	1	80	2047811101	2	ISO	LPD	1	N/A	3	0
NO	2047799211	80	H	0	34566-0803	34565-0003	N/A	2047801101	Ag	0.35	ISO	LPD	1	80	2047811101	2	ISO	LPD	1	N/A	3	0
NO	2047799312	80	G	0	34566-0703	34565-0003	N/A	2047802101	Ag	0.50	ISO	LPD	1	80	2047811101	2	ISO	LPD	1	N/A	3	0
NO	2047799212	80	H	0	34566-0803	34565-0003	N/A	2047802101	Ag	0.50	ISO	LPD	1	80	2047811101	2	ISO	LPD	1	N/A	3	0
NO	2047799313	80	G	0	34566-0703	34565-0003	N/A	2047803101	Ag	0.75	ISO	LPD	1	80	2047811101	2	ISO	LPD	1	N/A	3	0
NO	2047799213	80	H	0	34566-0803	34565-0003	N/A	2047803101	Ag	0.75	ISO	LPD	1	80	2047811101	2	ISO	LPD	1	N/A	3	0
NO	2047789931	66	A	0	34822-0013	34565-0003	34822-5011	2047801003	Ag	0.35	ISO	PGTL	3	64	2047811003	2	ISO	PGTL	3	2	6	0
NO	2047789731	66	C	0	34822-0033	34565-0003	34822-5011	2047801003	Ag	0.35	ISO	PGTL	3	64	2047811003	2	ISO	PGTL	3	2	6	0
NO	2047789932	66	A	0	34822-0013	34565-0003	34822-5011	2047802003	Ag	0.50	ISO	PGTL	3	64	2047811003	2	ISO	PGTL	3	2	6	0
NO	2047789732	66	C	0	34822-0033	34565-0003	34822-5011	2047802003	Ag	0.50	ISO	PGTL	3	64	2047811003	2	ISO	PGTL	3	2	6	0
NO	2047789933	66	A	0	34822-0013	34565-0003	34822-5011	2047803003	Ag	0.75	ISO	PGTL	3	64	2047811003	2	ISO	PGTL	3	2	6	0
NO	2047789733	66	C	0	34822-0033	34565-0003	34822-5011	2047803003	Ag	0.75	ISO	PGTL	3	64	2047811003	2	ISO	PGTL	3	2	6	0
NO	2047799911	66	A	0	34822-0013	34565-0003	N/A	2047801101	Ag	0.35	ISO	LPD	1	64	2047811101	2	ISO	LPD	1	2	3	0
NO	2047799711	66	C	0	34822-0033	34565-0003	N/A	2047801101	Ag	0.35	ISO	LPD	1	64	2047811101	2	ISO	LPD	1	2	3	0
NO	2047799912	66	A	0	34822-0013	34565-0003	N/A	2047802101	Ag	0.50	ISO	LPD	1	64	2047811101	2	ISO	LPD	1	2	3	0
NO	2047799712	66	C	0	34822-0033	34565-0003	N/A	2047802101	Ag	0.50	ISO	LPD	1	64	2047811101	2	ISO	LPD	1	2	3	0
NO	2047799913	66	A	0	34822-0013	34565-0003	N/A	2047803101	Ag	0.75	ISO	LPD	1	64	2047811101	2	ISO	LPD	1	2	3	0
NO	2047799713	66	C	0	34822-0033	34565-0003	N/A	2047803101	Ag	0.75	ISO	LPD	1	64	2047811101	2	ISO	LPD	1	2	3	0

SYMBOLS	THIS DRAWING CONTAINS INFORMATION THAT IS PROPRIETARY TO MOLEX ELECTRONIC TECHNOLOGIES, LLC AND SHOULD NOT BE USED WITHOUT WRITTEN PERMISSION									
▽ = 0	DIMENSION UNITS	SCALE	CURRENT REV DESC:							
▽ = 0	MM		EC NO: 605052 DRWN: HKLIANG 2018/09/27 CHK'D: JDENG02 2018/10/10 APPR: JDENG02 2018/10/10 INITIAL REVISION: DRWN: TYE 2016/05/06 APPR: SKRAJENDRANA 2016/08/22							
▽ = 0	GENERAL TOLERANCES (UNLESS SPECIFIED)									
▽ = 0	ANGULAR TOL	± °								
▽ = 0	4 PLACES	±								
▽ = 0	3 PLACES	±								
▽ = 0	2 PLACES	±								
▽ = 0	1 PLACE	±								
▽ = 0	0 PLACES	±								
■ = 0	DRAFT WHERE APPLICABLE MUST REMAIN WITHIN DIMENSIONS		THIRD ANGLE PROJECTION	DRAWING	SERIES	MATERIAL NUMBER	CUSTOMER	SHEET NUMBER		
▽ = 0				D-SIZE	34566	SEE TABLE	GENERAL MARKET	8 OF 8		

MX123  
66/73/80CKT HRNS CONN ASSY

PRODUCT CUSTOMER DRAWING

DOCUMENT NUMBER	DOC TYPE	DOC PART	REVISION
<b>SD-34566-001</b>	PSD	000	<b>G63</b>