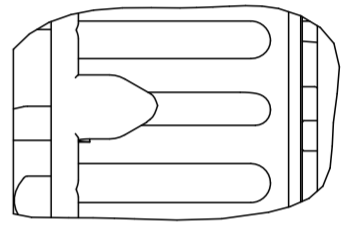
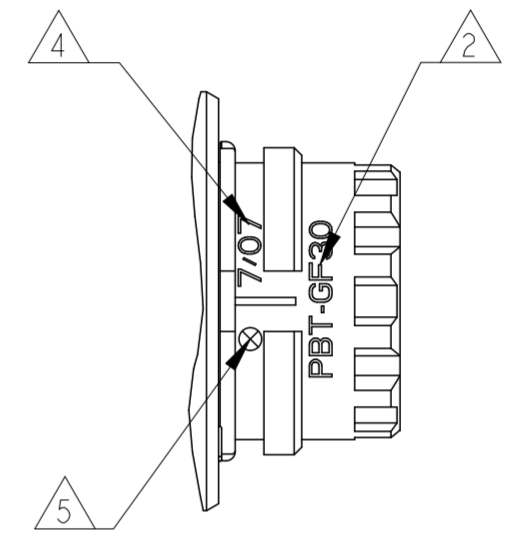
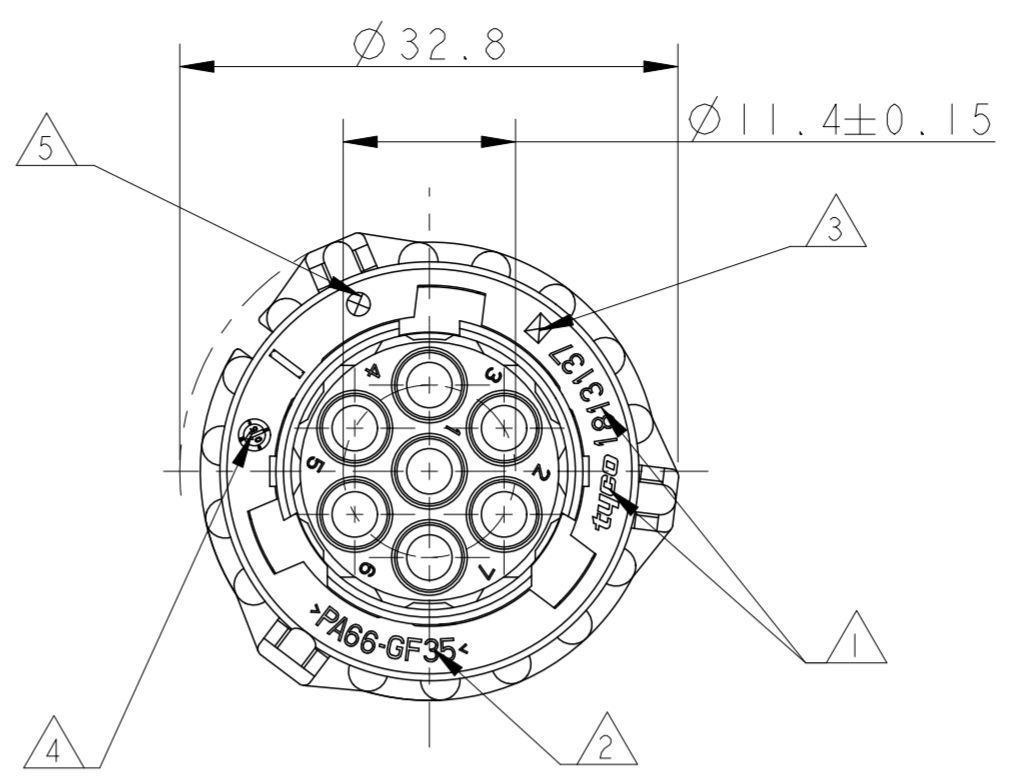
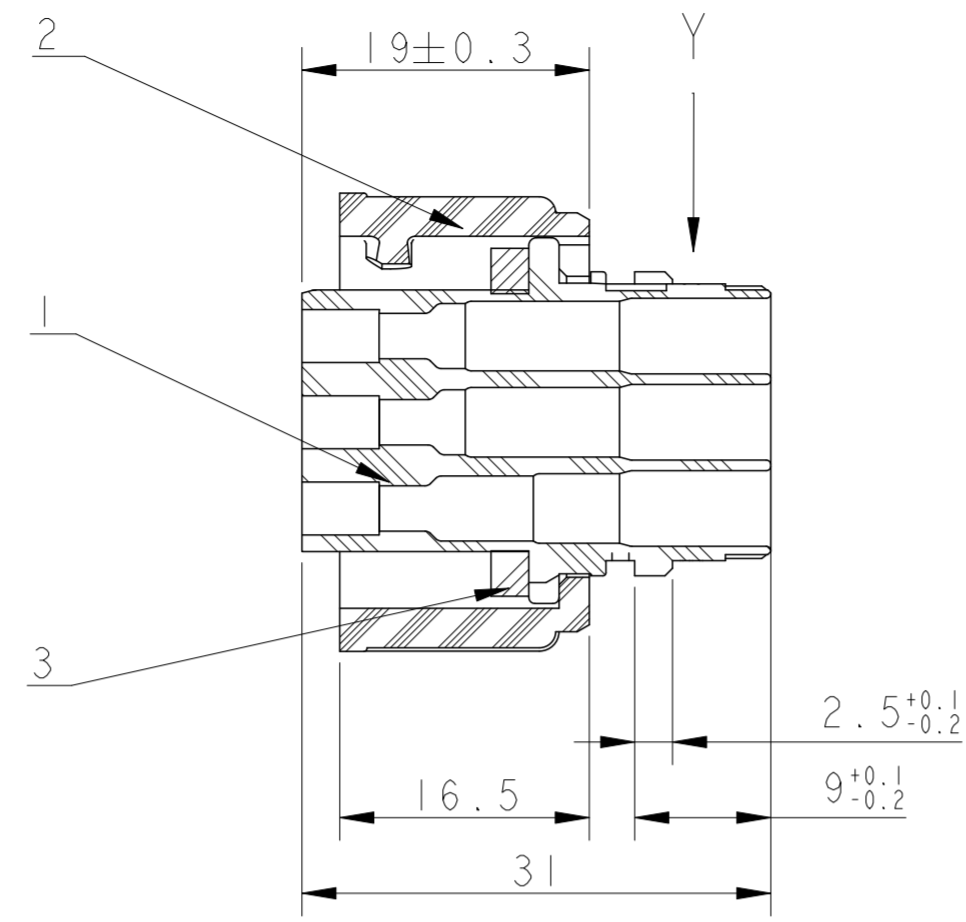
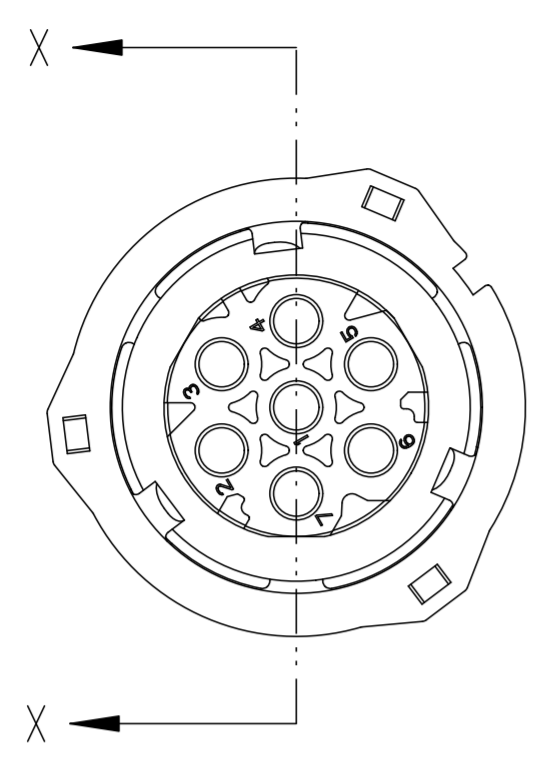
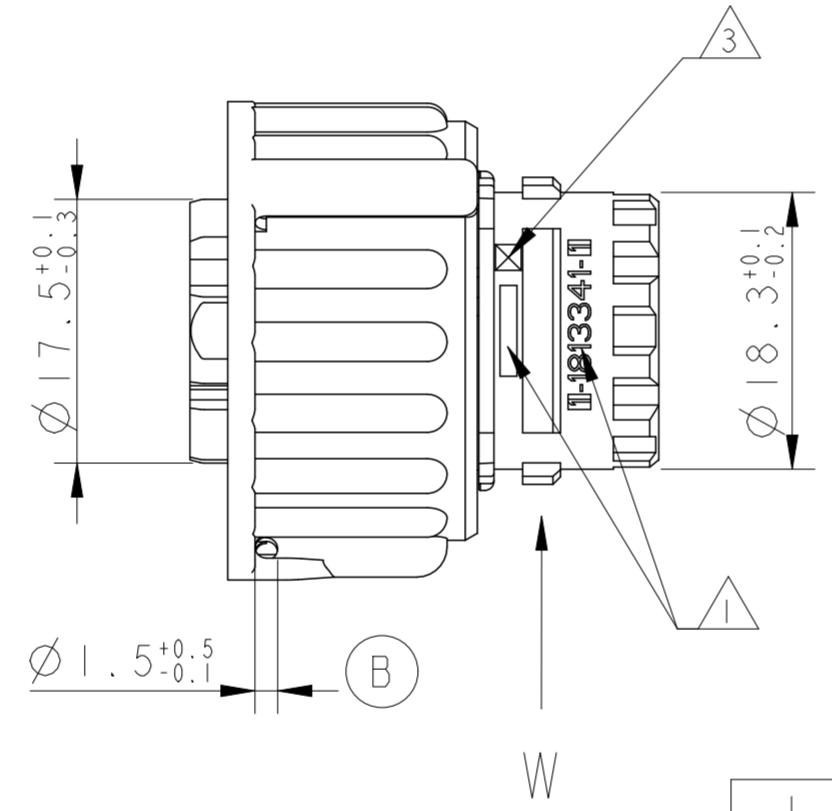


THIS DRAWING IS UNPUBLISHED. RELEASED FOR PUBLICATION 20  
 © COPYRIGHT 20 BY TYCO ELECTRONICS CORPORATION. ALL RIGHTS RESERVED.

LOC		DIST		REVISIONS			
P	LTR	DESCRIPTION	DATE	DWN	APVD		
ES	00						
	A	RELEASED	08OCT07	WY	KO		
	B	REVISED ECO-13-010505	10APR13	J.L	I.Y		

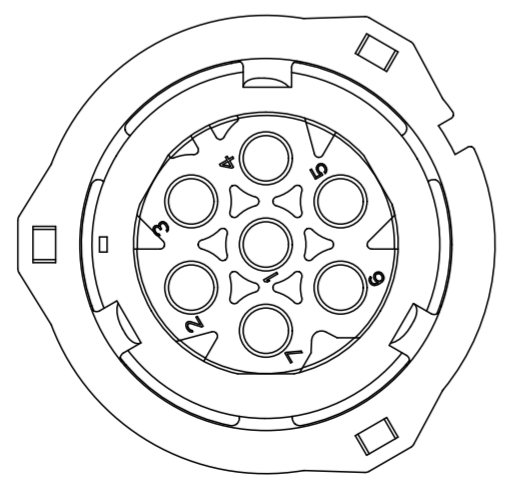
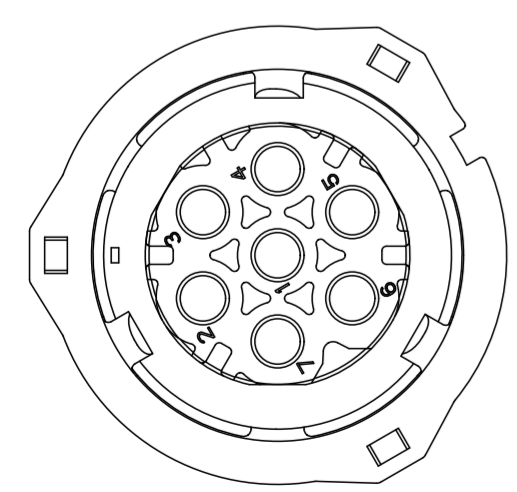


- NOTES:
- ① TE LOGO AND PART NUMBER.
  - ② MATERIAL MARKING.
  - ③ REVISION NUMBER.
  - ④ PRODUCTION DATE.
  - ⑤ CAVITY MARKING.
  - 6. FITS TO COMPONENT INTERFACE 7POS. ACC. TO TE SPEC. 114-18060-0 AND PIN HOUSING 7POS. TE PN 1718230.
  - 7. SUITABLE CONTACTS AND SEALS SEE TE DRAWING 1355063.



CLOSED CAVITY IN THE 5P. AND 6P. CONNECTOR

FURTHER CODINGS



3	2	1	4	3	2	1	1~7	1~7	1~7	2~7	1~5	1~6	1~7	USED CONTACT CAVITIES	COLOR	MATERIAL	DESCRIPTION	ITEM
															BLACK	PA66-GF35	COUPLE RING	3
															ORANGE	LSR	SEALING	2
															GREEN	PBT-GF30	7P SOCKET HOUSING, CODING C	1
															GREY	PBT-GF30	7P SOCKET HOUSING, CODING B	1
															BLUE	PBT-GF30	7P SOCKET HOUSING, CODING A	1
															BLACK	PBT-GF30	6P SOCKET HOUSING, CODING A	1
															BLACK	PBT-GF30	5P SOCKET HOUSING, CODING A	1
															BLACK	PBT-GF30	6P SOCKET HOUSING, CODING A	1
															BLACK	PBT-GF30	7P SOCKET HOUSING, CODING A	1

THIS DRAWING IS A CONTROLLED DOCUMENT FOR TYCO ELECTRONICS CORPORATION. IT IS SUBJECT TO CHANGE AND THE CONTROLLING ENGINEERING ORGANIZATION SHOULD BE CONTACTED FOR THE LATEST REVISION.

DIMENSIONS: mm	TOLERANCES UNLESS OTHERWISE SPECIFIED: ACC. TO ISO 8015	DWN: W.YUAN 08OCT07	Tyco Electronics Shanghai, China
		CHK: K.ODA 08OCT07	
		APVD: K.ODA 08OCT07	NAME: 1.5mm SOCKET CONNECTOR, 5~7POS.
		PRODUCT SPEC: 108-18622-0	SIZE: A2
		APPLICATION SPEC: 114-18255-0	CAGE CODE: 0779
MATERIAL: SEE TABLE	FINISH: SEE TABLE	WEIGHT: -	DRAWING NO: C-1813344
		CUSTOMER DRAWING	RESTRICTED TO: -

SCALE: 2:1 SHEET 1 OF 1 REV B