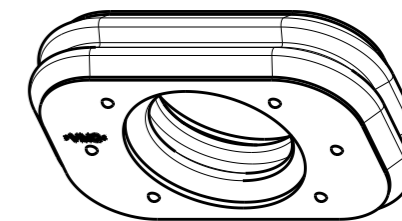
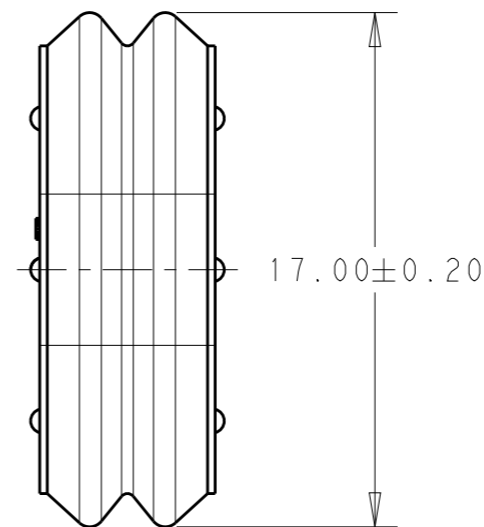
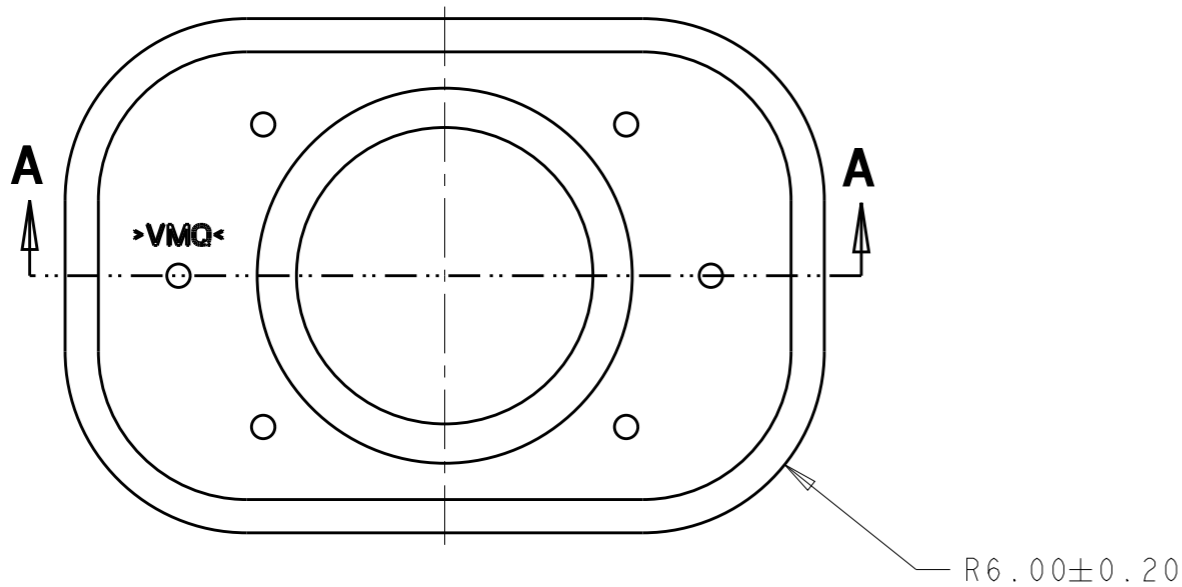


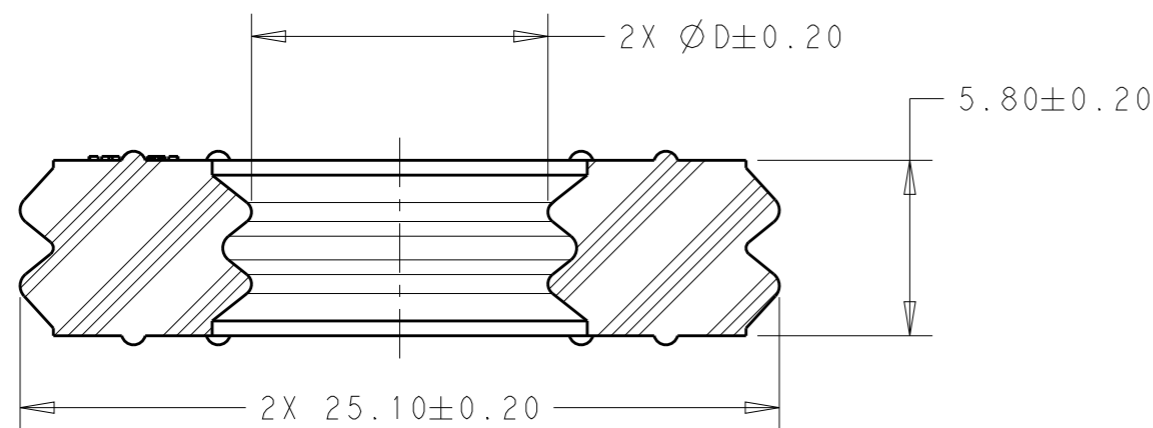
THIS DRAWING IS UNPUBLISHED. RELEASED FOR PUBLICATION 20
 © COPYRIGHT 20 BY TYCO ELECTRONICS CORPORATION ALL RIGHTS RESERVED.

REVISIONS

P	LTR	DESCRIPTION	DATE	DWN	APVD
	A3	ECO-14-004886	31MAR2014	DR	DR





SCALE 2:1



SECTION A-A

1. NO DAMAGES, SINK MARKS, CAVITIES AND FLOW LINES PERMITTED
- 2 MATERIAL: 30 DUROMETER INHERENTLY LUBRICATED SILICONE
COLOR: SEE TABLE
- 3 AROUND NO FLASH PERMITTED
4. NOTE DELETED

7.70	1.86 g	PURPLE	9.30-10.10	A	2103154-3
8.50	1.79 g	RED	9.80-10.50	A	2103154-2
9.80	1.63 g	YELLOW	10.70-11.40	A	2103154-1
D	WEIGHT	COLOR	CABLE DIAMETER	REV	PART NO

THIS DRAWING IS A CONTROLLED DOCUMENT.		DWN D. RHEIN 16MAR2011	 TE Connectivity		
DIMENSIONS: mm		CHK D. RHEIN 16MAR2011			
TOLERANCES UNLESS OTHERWISE SPECIFIED:		APVD J. BOLEWITZ 16MAR2011	NAME CABLE SEAL HVA280 MULTI-CORE		
0 PLC ± 1 PLC ±0.2 2 PLC ±0.16 3 PLC ± 4 PLC ± ANGLES ±2°		PRODUCT SPEC	RESTRICTED TO		
MATERIAL		APPLICATION SPEC	SIZE A3	CAGE CODE 00779	DRAWING NO C-2103154
FINISH		WEIGHT SEE TABLE	SCALE 4:1 SHEET 1 OF 1 REV A3		
		CUSTOMER DRAWING			