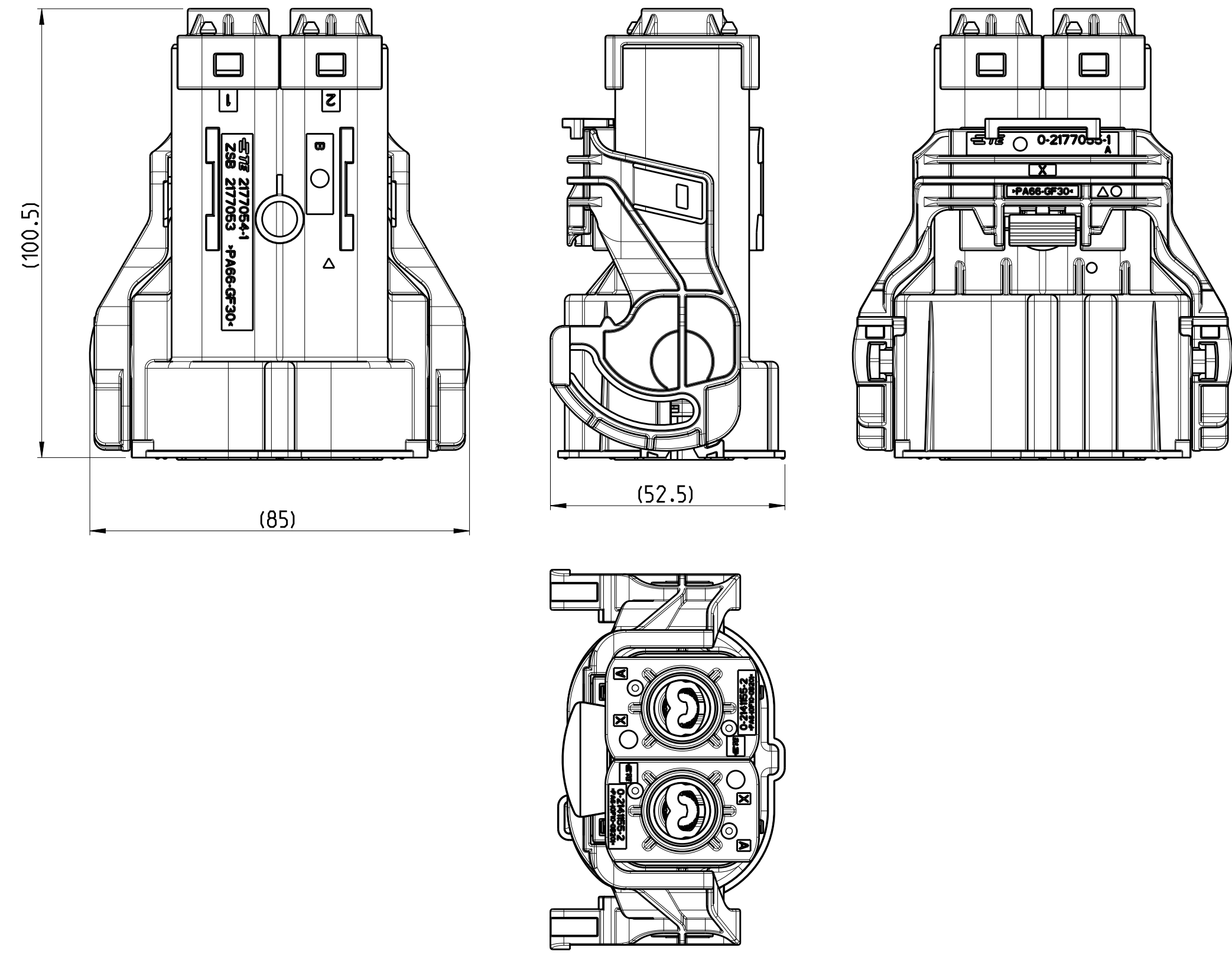
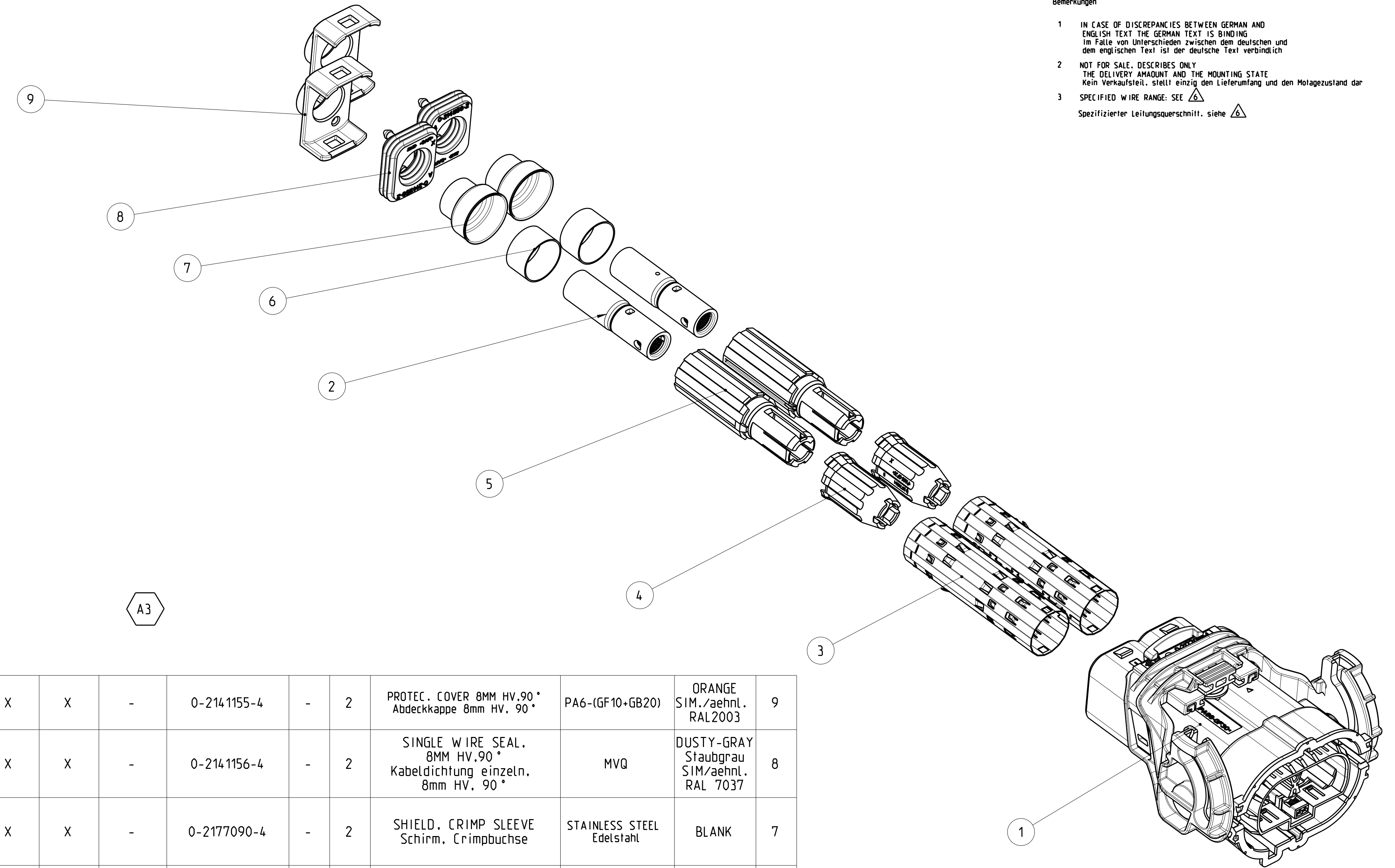
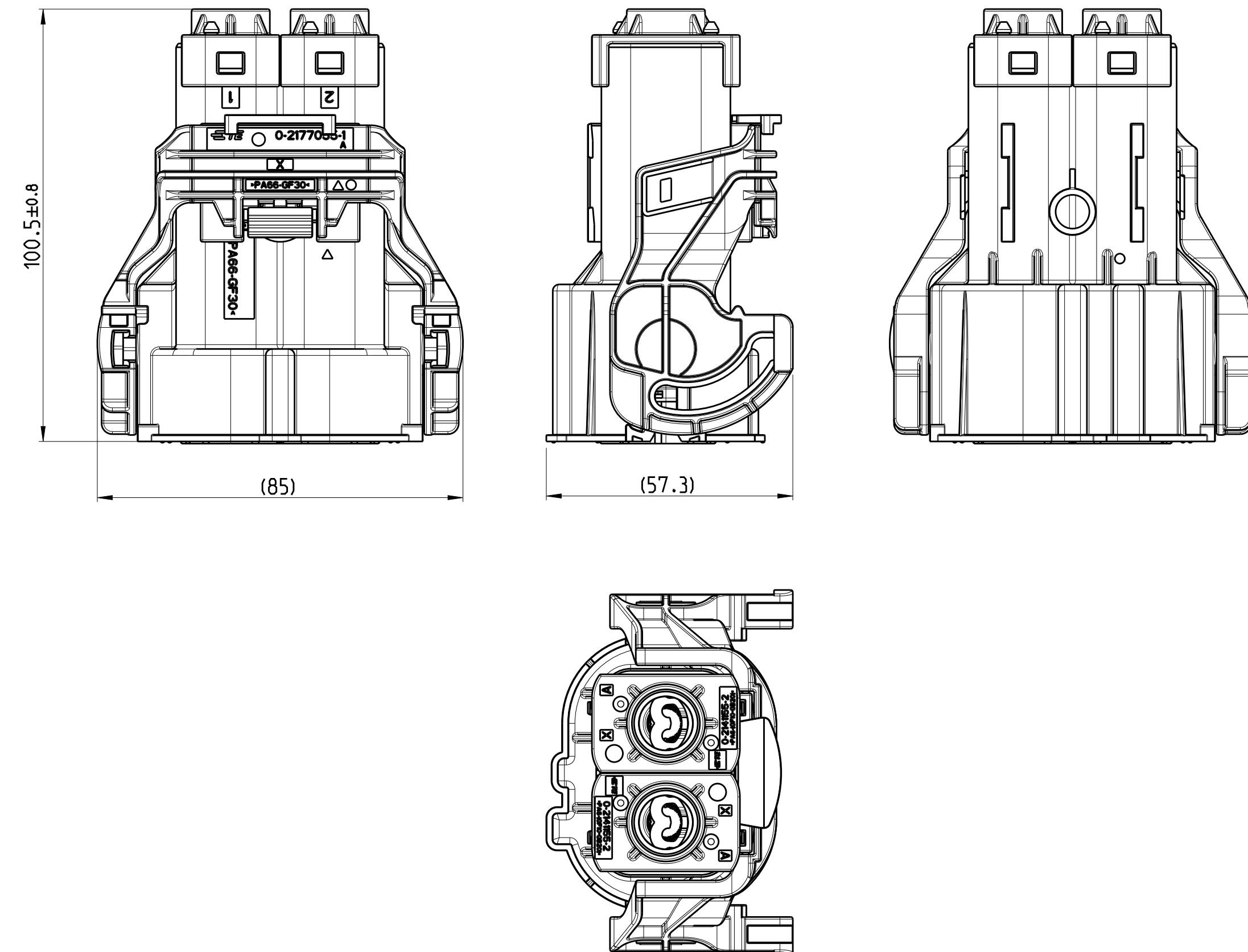


LEVER OPERATION SIDE ○  
Hebel Betaetigungsseite



LEVER OPERATION SIDE △  
Hebel Betaetigungsseite



| REV. | DATE                                      | DESCRIPTION     | BY  | APPV. |
|------|---|-----------------|-----|-------|
| A1   | 19062014                                  | New Drawing     | JTO | DHV   |
| A1   | 19M12015                                  | Drawing updated | WSA | DHV   |
| A2   | 09062015                                  | Table updated   | WSA | DHV   |
| A3   | 0-2177061-1 alternative 0-2177061-2 added |                 | TD  | DHV   |

- NOTES  
Bemerkungen
- IN CASE OF DISCREPANCIES BETWEEN GERMAN AND ENGLISH TEXT THE GERMAN TEXT IS BINDING. Im Falle von Unstimmigkeiten zwischen dem Deutschen und dem Englischen Text ist der Deutsche Text verbindlich.
  - NOT FOR SALE. DESCRIBES ONLY THE DELIVERY AMOUNT AND THE MOUNTING STATE. Kein Verkaufsstück. Stellt einzig den Lieferumfang und den Montagezustand dar.
  - SPECIFIED WIRE RANGE. SEE △. Spezifizierter Leitungsquerschnitt. siehe △.

CABLE DIMENSION 35MM²  
Leitungsquerschnitt 35mm²

VERSION

CABLE DIMENSION 50MM²  
Leitungsquerschnitt 50mm²

VERSION

| CODE A | CODE B | CODE C | CODE D | CODE A | CODE B | CODE C | CODE D | MASS (g)<br>Masse (g) | TE<br>ORDER-NO.<br>Bestell-Nr.:           | CODE | QTY | PART DESCRIPTION<br>Benennung Einzelteil   | MATERIAL<br>Werkstoff        | COLOUR<br>Farbe                  | ITEM |
|--------|--------|--------|--------|--------|--------|--------|--------|-----------------------|---|------|-----|--|------------------------------|----------------------------------|------|
| X      | X      | X      | X      | X      | X      | X      | X      | -                     | 0-2141155-2                               | -    | 2   | PROTEC. COVER 8MM HV.90°<br>Abdeckkappe 8mm HV. 90°                                    | PA6-(GF10-GB20)              | ORANGE<br>SIM./aehnl.<br>RAL2003 | 9    |
| X      | X      | X      | X      | X      | X      | X      | X      | -                     | 0-2141156-2                               | -    | 2   | SINGLE WIRE SEAL.<br>8MM HV.90°<br>Kabeldichtung einzeln.<br>8mm HV. 90°               | MVQ                          | NATURAL<br>Transparent           | 8    |
| X      | X      | X      | X      | X      | X      | X      | X      | -                     | 0-2177090-2                               | -    | 2   | SHIELD. CRIMP SLEEVE<br>Schirm. Crimpbuchse  | STAINLESS STEEL<br>Edelstahl | BLANK                            | 7    |
| X      | X      | X      | X      | X      | X      | X      | X      | -                     | 0-2177061-1<br>Alternative<br>0-2177061-2 | -    | 2   | SHIELD CRIMP FERRULE. INNER<br>Untercrimphülse   | STAINLESS STEEL<br>Edelstahl | BLANK                            | 6    |
| X      | X      | X      | X      | X      | X      | X      | X      | -                     | 0-2177058-1                               | -    | 2   | INSULATION INSERT 180°<br>isolationkörper 180°   | PA66-GF30                    |                                  | 5    |
| X      | X      | X      | X      | X      | X      | X      | X      | -                     | 0-2177059-1                               | -    | 2   | FINGER PROT CAP 8MM HV.180°<br>Fingerschutzkappe 8mm HV. 180°                          | PA66-GF30                    | ORANGE<br>SIM./aehnl.<br>RAL2003 | 4    |
| X      | X      | X      | X      | X      | X      | X      | X      | -                     | 0-2177060-3                               | -    | 2   | SHIELDING SLEEVE.180°<br>Schirmhülse.180°  | CU - ALLOY Cu -<br>Legierung | SELECTED<br>SILVER-<br>PLATED    | 3    |
| X      | X      | X      | X      | X      | X      | X      | X      | -                     | 0-2177590-1                               | -    | 2   | TURNED CONTACT 180°<br>Drehkontakt 180°  | siehe C-2177590              |                                  | 2    |
| -      | -      | -      | X      | -      | -      | -      | -      | -                     | 1-2177053-8                               | D    |     | 2POS. 8MM HV. REC HSG.<br>180°. ASSY. SEALED<br>2pol. gedichtete Assy.<br>8mm HV. 180° | siehe C-2177053              | siehe<br>C-2177053               | 1    |
| -      | -      | X      | -      | -      | -      | -      | -      | -                     | 1-2177053-6                               | C    |     |  |                              |                                  |      |
| -      | X      | -      | -      | -      | -      | -      | -      | -                     | 1-2177053-4                               | B    |     |  |                              |                                  |      |
| X      | -      | -      | -      | -      | -      | -      | -      | -                     | 1-2177053-2                               | A    |     |  |                              |                                  |      |
| -      | -      | -      | -      | -      | -      | X      | -      | -                     | 1-2177053-7                               | D    |     |  |                              |                                  |      |
| -      | -      | -      | -      | -      | X      | -      | -      | -                     | 1-2177053-5                               | C    |     |  |                              |                                  |      |
| -      | -      | -      | -      | X      | -      | -      | -      | -                     | 1-2177053-3                               | B    |     |  |                              |                                  |      |
| -      | -      | -      | -      | X      | -      | -      | -      | -                     | 1-2177053-1                               | A    |     |  |                              |                                  |      |
| -      | -      | -      | X      | -      | -      | -      | -      | -                     | 1-2177053-1                               | A    |     |  |                              |                                  |      |
| -      | -      | -      | X      | -      | -      | -      | -      | -                     | 1-2177053-1                               | A    |     |  |                              |                                  |      |

| CODE A | CODE B | CODE C | CODE D | CODE A | CODE B | CODE C | CODE D | MASS (g)<br>Masse (g) | TE<br>ORDER-NO.<br>Bestell-Nr.:           | CODE | QTY | PART DESCRIPTION<br>Benennung Einzelteil   | MATERIAL<br>Werkstoff        | COLOUR<br>Farbe                                     | ITEM |
|--------|--------|--------|--------|--------|--------|--------|--------|-----------------------|---|------|-----|--|------------------------------|---|------|
| X      | X      | X      | X      | X      | X      | X      | X      | -                     | 0-2141155-1                               | -    | 2   | PROTEC. COVER 8MM HV.90°<br>Abdeckkappe 8mm HV. 90°                                    | PA6-(GF10-GB20)              | ORANGE<br>SIM./aehnl.<br>RAL2003                    | 9    |
| X      | X      | X      | X      | X      | X      | X      | X      | -                     | 0-2141156-1                               | -    | 2   | SINGLE WIRE SEAL.<br>8MM HV.90°<br>Kabeldichtung einzeln.<br>8mm HV. 90°               | MVQ                          | GRASS GREEN<br>Grasgruen<br>SIM./aehnl.<br>RAL 6010 | 8    |
| X      | X      | X      | X      | X      | X      | X      | X      | -                     | 0-2177090-1                               | -    | 2   | SHIELD. CRIMP SLEEVE<br>Schirm. Crimpbuchse  | STAINLESS STEEL<br>Edelstahl | BLANK   | 7    |
| X      | X      | X      | X      | X      | X      | X      | X      | -                     | 0-2177061-1<br>Alternative<br>0-2177061-2 | -    | 2   | SHIELD CRIMP FERRULE. INNER<br>Untercrimphülse   | STAINLESS STEEL<br>Edelstahl | BLANK   | 6    |
| X      | X      | X      | X      | X      | X      | X      | X      | -                     | 0-2177058-1                               | -    | 2   | INSULATION INSERT 180°<br>isolationkörper 180°   | PA66-GF30                    |   | 5    |
| X      | X      | X      | X      | X      | X      | X      | X      | -                     | 0-2177059-1                               | -    | 2   | FINGER PROT CAP 8MM HV.180°<br>Fingerschutzkappe 8mm HV. 180°                          | PA66-GF30                    | ORANGE<br>SIM./aehnl.<br>RAL2003                    | 4    |
| X      | X      | X      | X      | X      | X      | X      | X      | -                     | 0-2177060-3                               | -    | 2   | SHIELDING SLEEVE.180°<br>Schirmhülse.180°  | CU - ALLOY Cu -<br>Legierung | SELECTED<br>SILVER-<br>PLATED                       | 3    |
| X      | X      | X      | X      | X      | X      | X      | X      | -                     | 0-2177592-1                               | -    | 2   | TURNED CONTACT 180°<br>Drehkontakt 180°  | siehe C-2177592              |   | 2    |
| -      | -      | -      | X      | -      | -      | -      | -      | -                     | 1-2177053-8                               | D    |     | 2POS. 8MM HV. REC HSG.<br>180°. ASSY. SEALED<br>2pol. gedichtete Assy.<br>8mm HV. 180° | siehe C-2177053              | siehe<br>C-2177053                                  | 1    |
| -      | -      | X      | -      | -      | -      | -      | -      | -                     | 1-2177053-6                               | C    |     |  |                              |   |      |
| -      | X      | -      | -      | -      | -      | -      | -      | -                     | 1-2177053-4                               | B    |     |  |                              |   |      |
| X      | -      | -      | -      | -      | -      | -      | -      | -                     | 1-2177053-2                               | A    |     |  |                              |   |      |
| -      | -      | -      | -      | -      | -      | X      | -      | -                     | 1-2177053-7                               | D    |     |  |                              |   |      |
| -      | -      | -      | -      | -      | X      | -      | -      | -                     | 1-2177053-5                               | C    |     |  |                              |   |      |
| -      | -      | -      | -      | X      | -      | -      | -      | -                     | 1-2177053-3                               | B    |     |  |                              |   |      |
| -      | -      | -      | -      | X      | -      | -      | -      | -                     | 1-2177053-1                               | A    |     |  |                              |   |      |
| -      | -      | -      | X      | -      | -      | -      | -      | -                     | 1-2177053-1                               | A    |     |  |                              |   |      |
| -      | -      | -      | X      | -      | -      | -      | -      | -                     | 1-2177053-1                               | A    |     |  |                              |   |      |

CABLE DIMENSION 16MM²  
Leitungsquerschnitt 16mm²

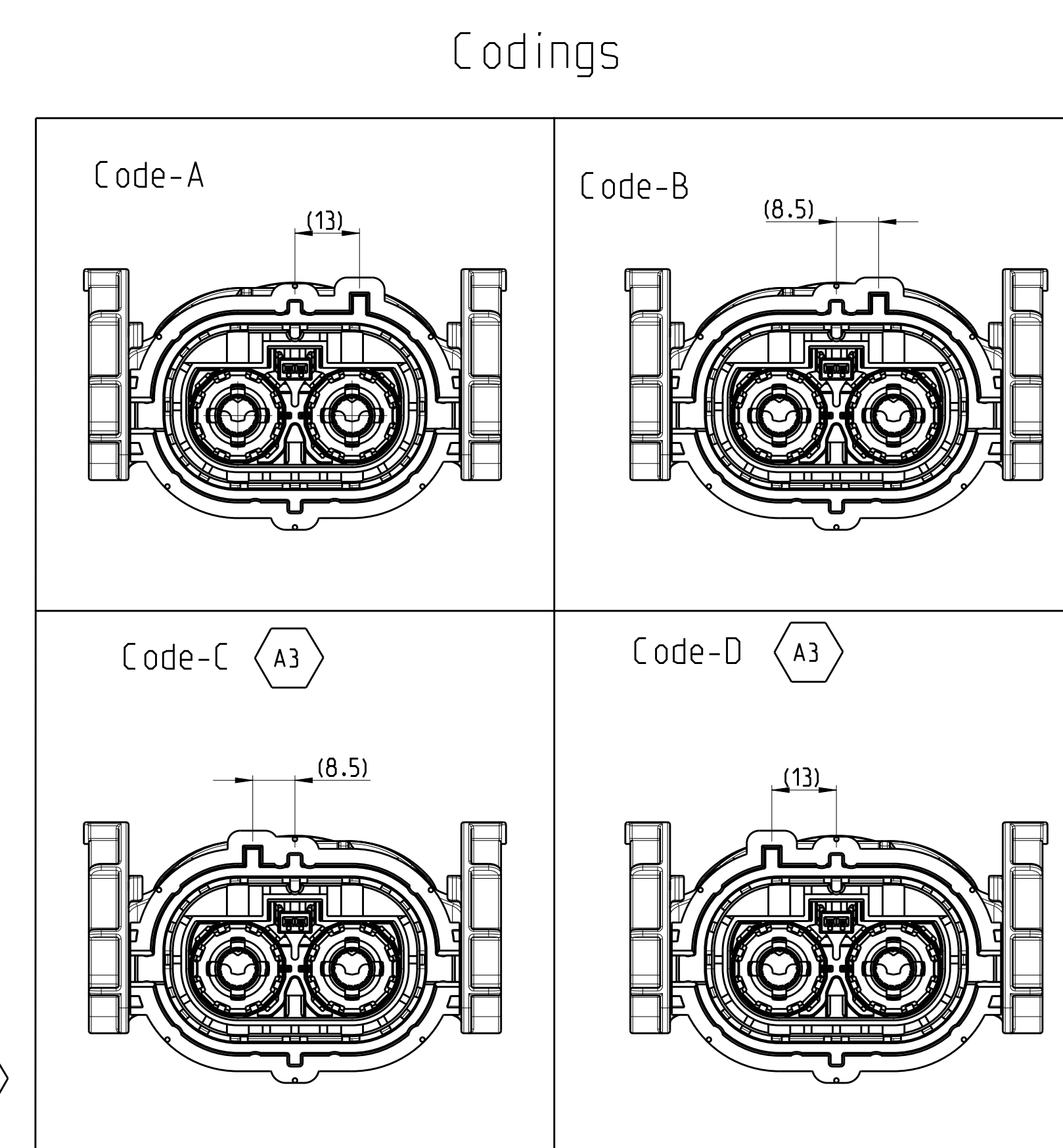
VERSION

CABLE DIMENSION 25MM²  
Leitungsquerschnitt 25mm²

VERSION

| CODE A | CODE B | CODE C | CODE D | CODE A | CODE B | CODE C | CODE D | MASS (g)<br>Masse (g) | TE<br>ORDER-NO.<br>Bestell-Nr.:           | CODE | QTY | PART DESCRIPTION<br>Benennung Einzelteil   | MATERIAL<br>Werkstoff        | COLOUR<br>Farbe                                    | ITEM |
|--------|--------|--------|--------|--------|--------|--------|--------|-----------------------|---|------|-----|--|------------------------------|--|------|
| X      | X      | X      | X      | X      | X      | X      | X      | -                     | 0-2141155-4                               | -    | 2   | PROTEC. COVER 8MM HV.90°<br>Abdeckkappe 8mm HV. 90°                                    | PA6-(GF10-GB20)              | ORANGE<br>SIM./aehnl.<br>RAL2003                   | 9    |
| X      | X      | X      | X      | X      | X      | X      | X      | -                     | 0-2141156-4                               | -    | 2   | SINGLE WIRE SEAL.<br>8MM HV.90°<br>Kabeldichtung einzeln.<br>8mm HV. 90°               | MVQ                          | DUSTY-GRAY<br>Staubgrau<br>SIM./aehnl.<br>RAL 7037 | 8    |
| X      | X      | X      | X      | X      | X      | X      | X      | -                     | 0-2177090-4                               | -    | 2   | SHIELD. CRIMP SLEEVE<br>Schirm. Crimpbuchse  | STAINLESS STEEL<br>Edelstahl | BLANK  | 7    |
| X      | X      | X      | X      | X      | X      | X      | X      | -                     | 0-2177061-1<br>Alternative<br>0-2177061-2 | -    | 2   | SHIELD CRIMP FERRULE. INNER<br>Untercrimphülse   | STAINLESS STEEL<br>Edelstahl | BLANK  | 6    |
| X      | X      | X      | X      | X      | X      | X      | X      | -                     | 0-2177058-1                               | -    | 2   | INSULATION INSERT 180°<br>isolationkörper 180°   | PA66-GF30                    |  | 5    |
| X      | X      | X      | X      | X      | X      | X      | X      | -                     | 0-2177059-1                               | -    | 2   | FINGER PROT CAP 8MM HV.180°<br>Fingerschutzkappe 8mm HV. 180°                          | PA66-GF30                    | ORANGE<br>SIM./aehnl.<br>RAL2003                   | 4    |
| X      | X      | X      | X      | X      | X      | X      | X      | -                     | 0-2177060-3                               | -    | 2   | SHIELDING SLEEVE.180°<br>Schirmhülse.180°  | CU - ALLOY Cu -<br>Legierung | SELECTED<br>SILVER-<br>PLATED                      | 3    |
| X      | X      | X      | X      | X      | X      | X      | X      | -                     | 0-2177594-1                               | -    | 2   | TURNED CONTACT 180°<br>Drehkontakt 180°  | siehe C-2177594              |  | 2    |
| -      | -      | -      | X      | -      | -      | -      | -      | -                     | 1-2177053-8                               | D    |     | 2POS. 8MM HV. REC HSG.<br>180°. ASSY. SEALED<br>2pol. gedichtete Assy.<br>8mm HV. 180° | siehe C-2177053              | siehe<br>C-2177053                                 | 1    |
| -      | -      | X      | -      | -      | -      | -      | -      | -                     | 1-2177053-6                               | C    |     |  |                              |  |      |
| -      | X      | -      | -      | -      | -      | -      | -      | -                     | 1-2177053-4                               | B    |     |  |                              |  |      |
| X      | -      | -      | -      | -      | -      | -      | -      | -                     | 1-2177053-2                               | A    |     |  |                              |  |      |
| -      | -      | -      | -      | -      | -      | X      | -      | -                     | 1-2177053-7                               | D    |     |  |                              |  |      |
| -      | -      | -      | -      | -      | X      | -      | -      | -                     | 1-2177053-5                               | C    |     |  |                              |  |      |
| -      | -      | -      | -      | -      | X      | -      | -      | -                     | 1-2177053-3                               | B    |     |  |                              |  |      |
| -      | -      | -      | -      | -      | X      | -      | -      | -                     | 1-2177053-1                               | A    |     |  |                              |  |      |
| -      | -      | -      | -      | X      | -      | -      | -      | -                     | 1-2177053-1                               | A    |     |  |                              |  |      |
| -      | -      | -      | X      | -      | -      | -      | -      | -                     | 1-2177053-1                               | A    |     |  |                              |  |      |

| CODE A | CODE B | CODE C | CODE D | CODE A | CODE B | CODE C | CODE D | MASS (g)<br>Masse (g) | TE<br>ORDER-NO.<br>Bestell-Nr.:           | CODE | QTY | PART DESCRIPTION<br>Benennung Einzelteil   | MATERIAL<br>Werkstoff        | COLOUR<br>Farbe                            | ITEM |
|--------|--------|--------|--------|--------|--------|--------|--------|-----------------------|---|------|-----|--|------------------------------|--|------|
| X      | X      | X      | X      | X      | X      | X      | X      | -                     | 0-2141155-3                               | -    | 2   | PROTEC. COVER 8MM HV.90°<br>Abdeckkappe 8mm HV. 90°                                    | PA6-(GF10-GB20)              | ORANGE<br>SIM./aehnl.<br>RAL2003           | 9    |
| X      | X      | X      | X      | X      | X      | X      | X      | -                     | 0-2141156-3                               | -    | 2   | SINGLE WIRE SEAL.<br>8MM HV.90°<br>Kabeldichtung einzeln.<br>8mm HV. 90°               | MVQ                          | WHITE/<br>Weiss<br>SIM./aehnl.<br>RAL 9010 | 8    |
| X      | X      | X      | X      | X      | X      | X      | X      | -                     | 0-2177090-3                               | -    | 2   | SHIELD. CRIMP SLEEVE<br>Schirm. Crimpbuchse  | STAINLESS STEEL<br>Edelstahl | BLANK                                      | 7    |
| X      | X      | X      | X      | X      | X      | X      | X      | -                     | 0-2177061-1<br>Alternative<br>0-2177061-2 | -    | 2   | SHIELD CRIMP FERRULE. INNER<br>Untercrimphülse   | STAINLESS STEEL<br>Edelstahl | BLANK                                      | 6    |
| X      | X      | X      | X      | X      | X      | X      | X      | -                     | 0-2177058-1                               | -    | 2   | INSULATION INSERT 180°<br>isolationkörper 180°   | PA66-GF30                    |  | 5    |
| X      | X      | X      | X      | X      | X      | X      | X      | -                     | 0-2177059-1                               | -    | 2   | FINGER PROT CAP 8MM HV.180°<br>Fingerschutzkappe 8mm HV. 180°                          | PA66-GF30                    | ORANGE<br>SIM./aehnl.<br>RAL2003           | 4    |
| X      | X      | X      | X      | X      | X      | X      | X      | -                     | 0-2177060-3                               | -    | 2   | SHIELDING SLEEVE.180°<br>Schirmhülse.180°  | CU - ALLOY Cu -<br>Legierung | SELECTED<br>SILVER-<br>PLATED              | 3    |
| X      | X      | X      | X      | X      | X      | X      | X      | -                     | 0-2177473-1                               | -    | 2   | TURNED CONTACT 180°<br>Drehkontakt 180°  | siehe C-2177473              |  | 2    |
| -      | -      | -      | X      | -      | -      | -      | -      | -                     | 1-2177053-8                               | D    |     | 2POS. 8MM HV. REC HSG.<br>180°. ASSY. SEALED<br>2pol. gedichtete Assy.<br>8mm HV. 180° | siehe C-2177053              | siehe<br>C-2177053                         | 1    |
| -      | -      | X      | -      | -      | -      | -      | -      | -                     | 1-2177053-6                               | C    |     |  |                              |  |      |
| -      | X      | -      | -      | -      | -      | -      | -      | -                     | 1-2177053-4                               | B    |     |  |                              |  |      |
| X      | -      | -      | -      | -      | -      | -      | -      | -                     | 1-2177053-2                               | A    |     |  |                              |  |      |
| -      | -      | -      | -      | -      | -      | X      | -      | -                     | 1-2177053-7                               | D    |     |  |                              |  |      |
| -      | -      | -      | -      | -      | X      | -      | -      | -                     | 1-2177053-5                               | C    |     |  |                              |  |      |
| -      | -      | -      | -      | -      | X      | -      | -      | -                     | 1-2177053-3                               | B    |     |  |                              |  |      |
| -      | -      | -      | -      | -      | X      | -      | -      | -                     | 1-2177053-1                               | A    |     |  |                              |  |      |
| -      | -      | -      | -      | X      | -      | -      | -      | -                     | 1-2177053-1                               | A    |     |  |                              |  |      |
| -      | -      | -      | X      | -      | -      | -      | -      | -                     | 1-2177053-1                               | A    |     |  |                              |  |      |



| NOTE<br>Bem. | FEATURE<br>Merkmal                                |
|--------------|---|
| △            | PRODUCT-SPEC. 108-94297<br>Produkt-Spez.          |
| △            | APPLICATION SPEC. 114-94130<br>Verarbeitungsspez. |

TE Connectivity

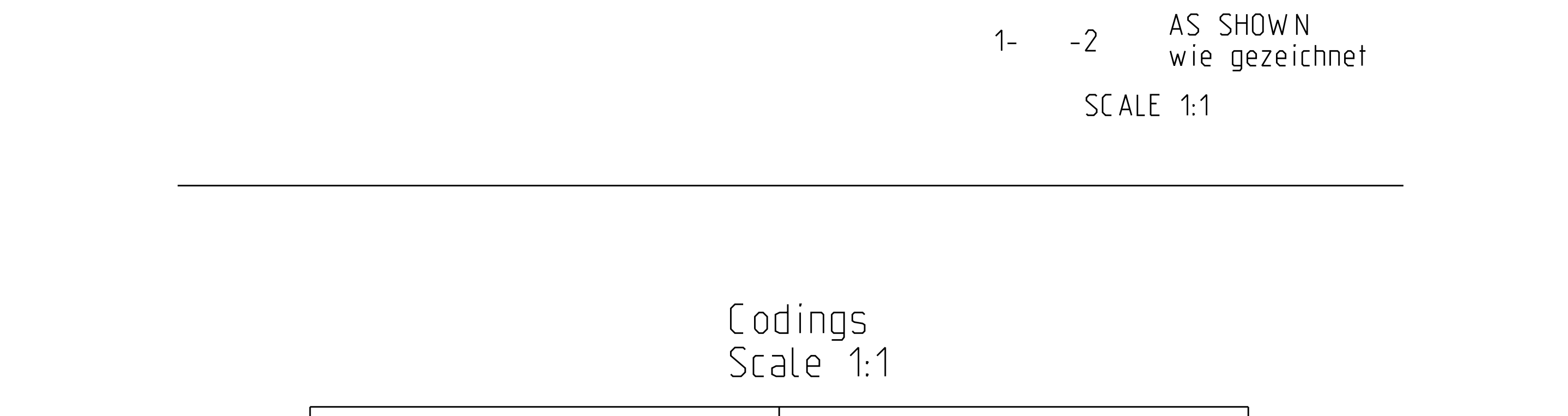
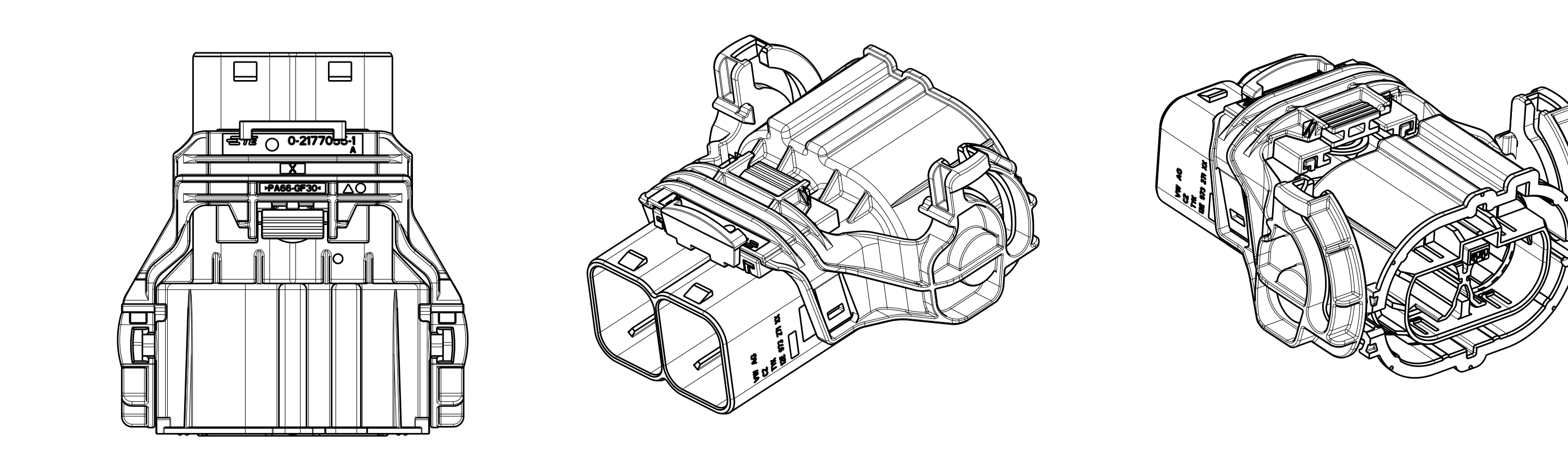
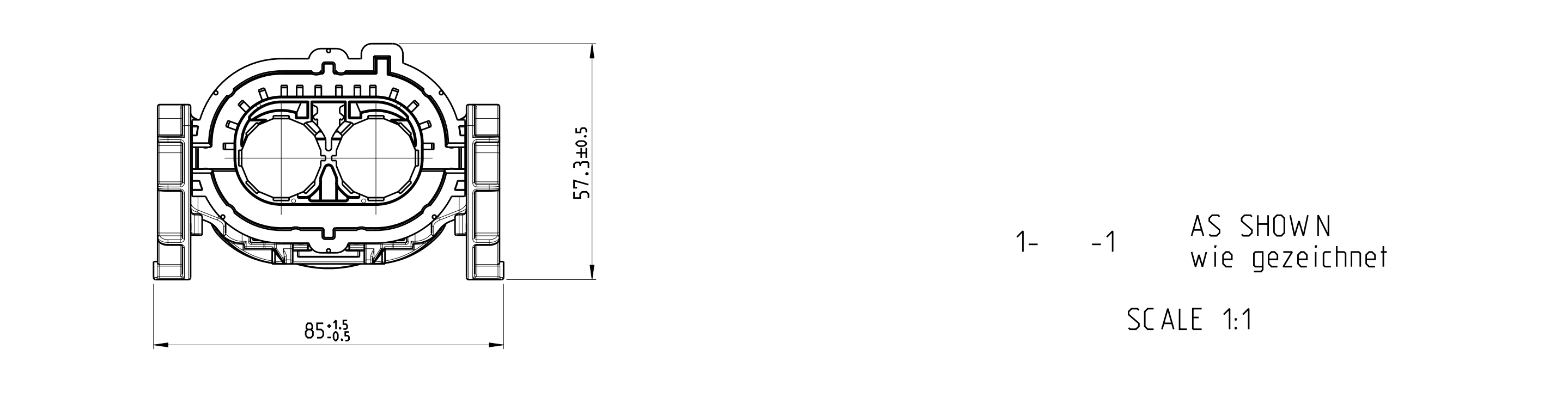
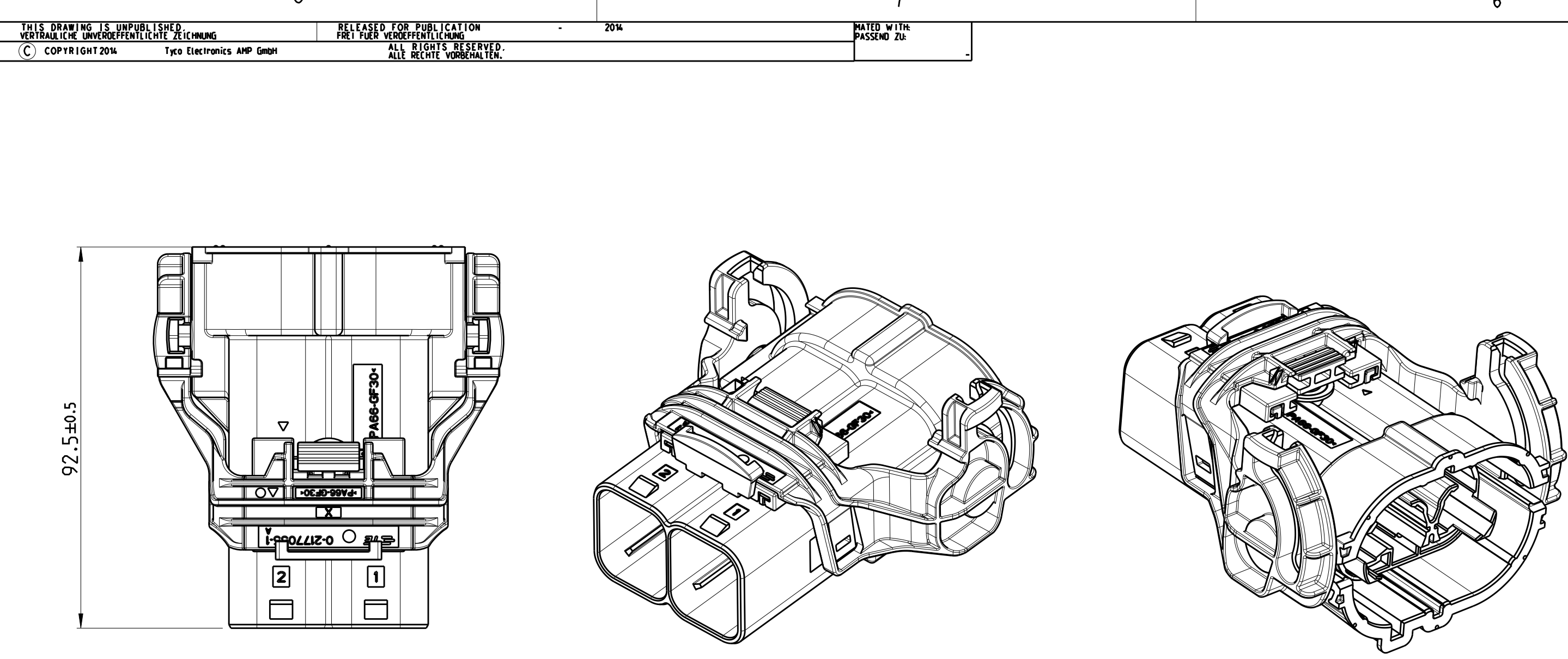
2POS 8MM HV KIT. 180DEG. SEALED  
2pol 8mm HV Kit. 180Grad. gedichtet  
OVERVIEW / Uebersicht. ASSY

Customer Drawing

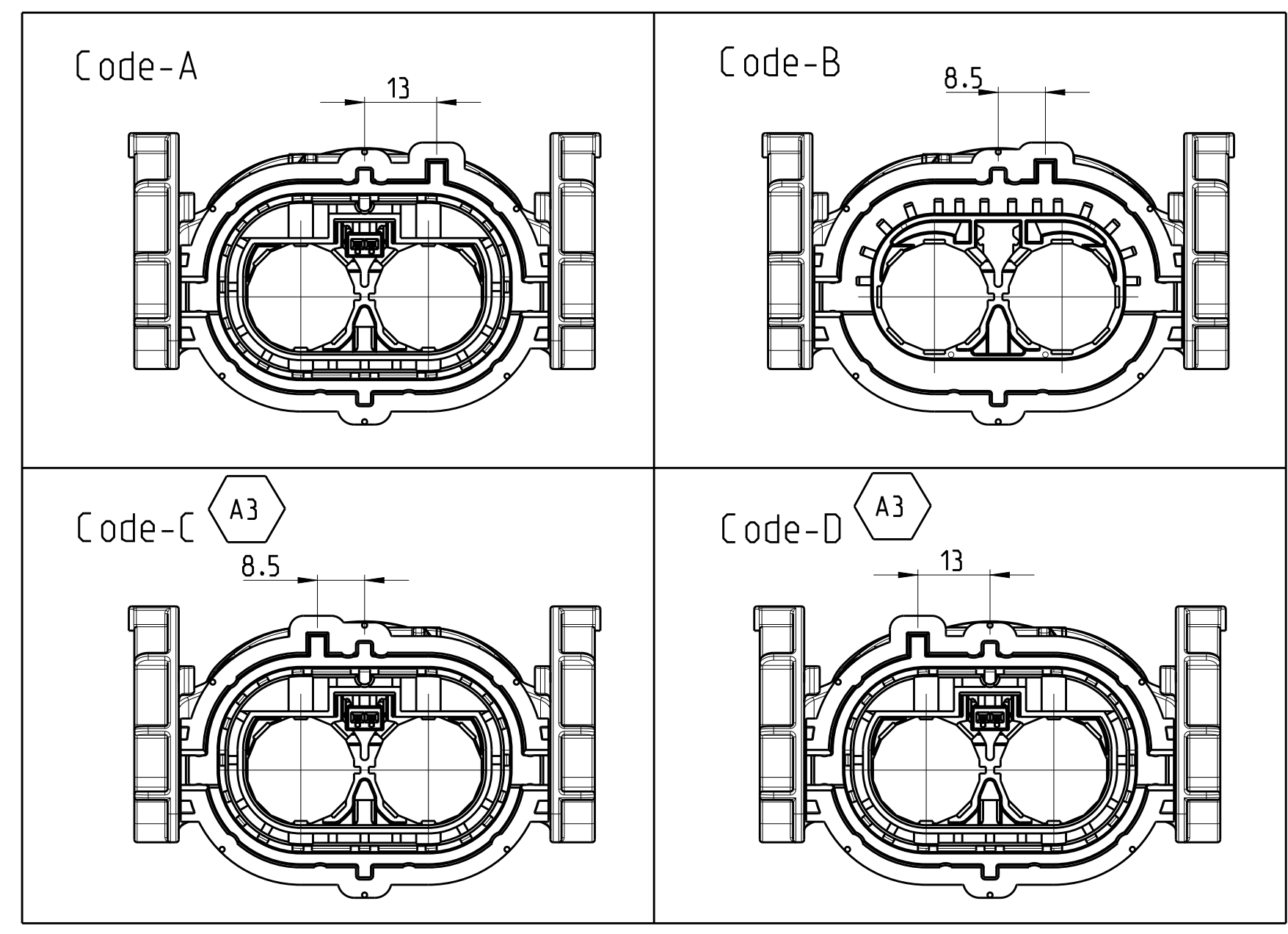
00779 2177052

Customer Drawing

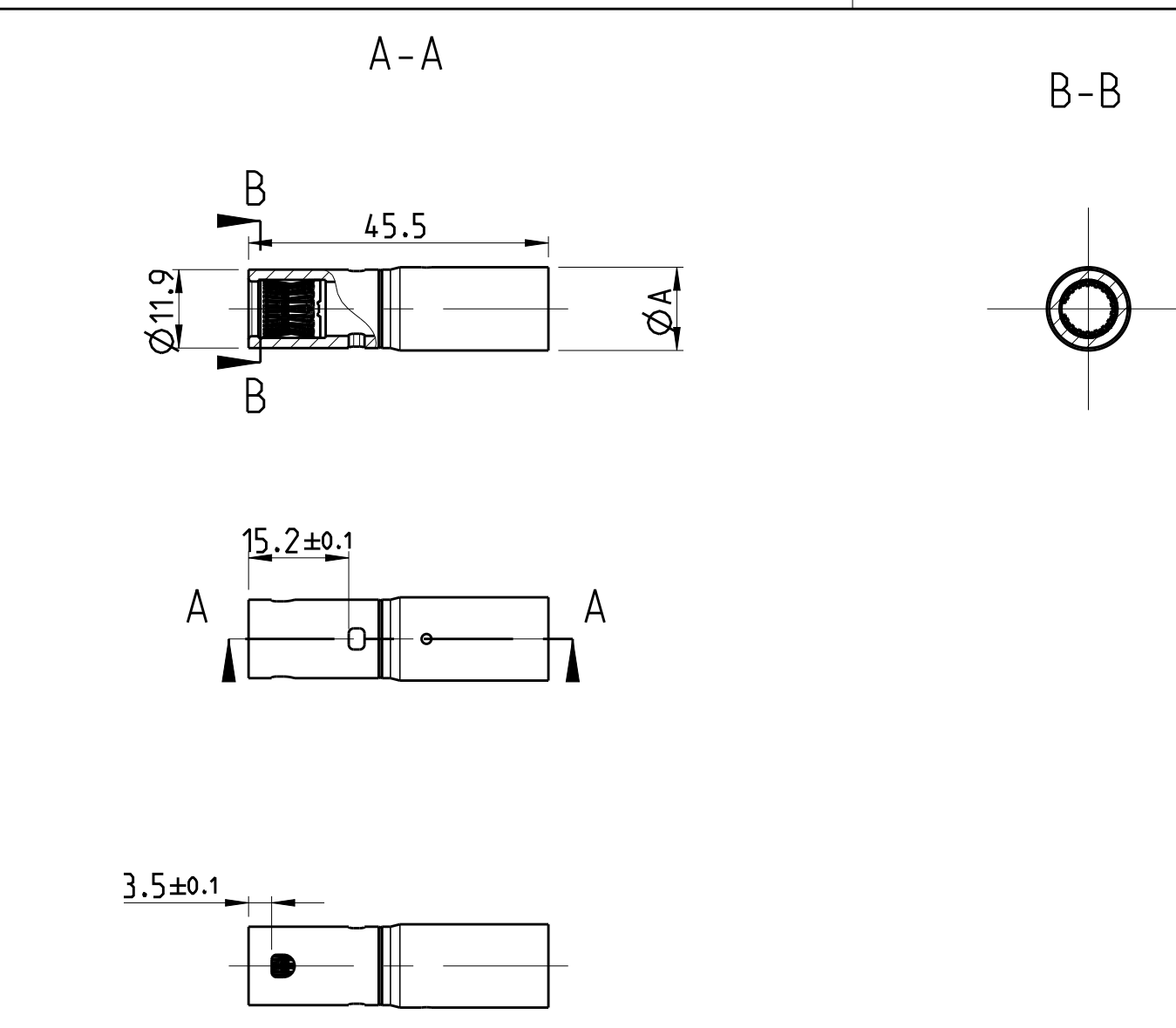




Codings  
Scale 1:1

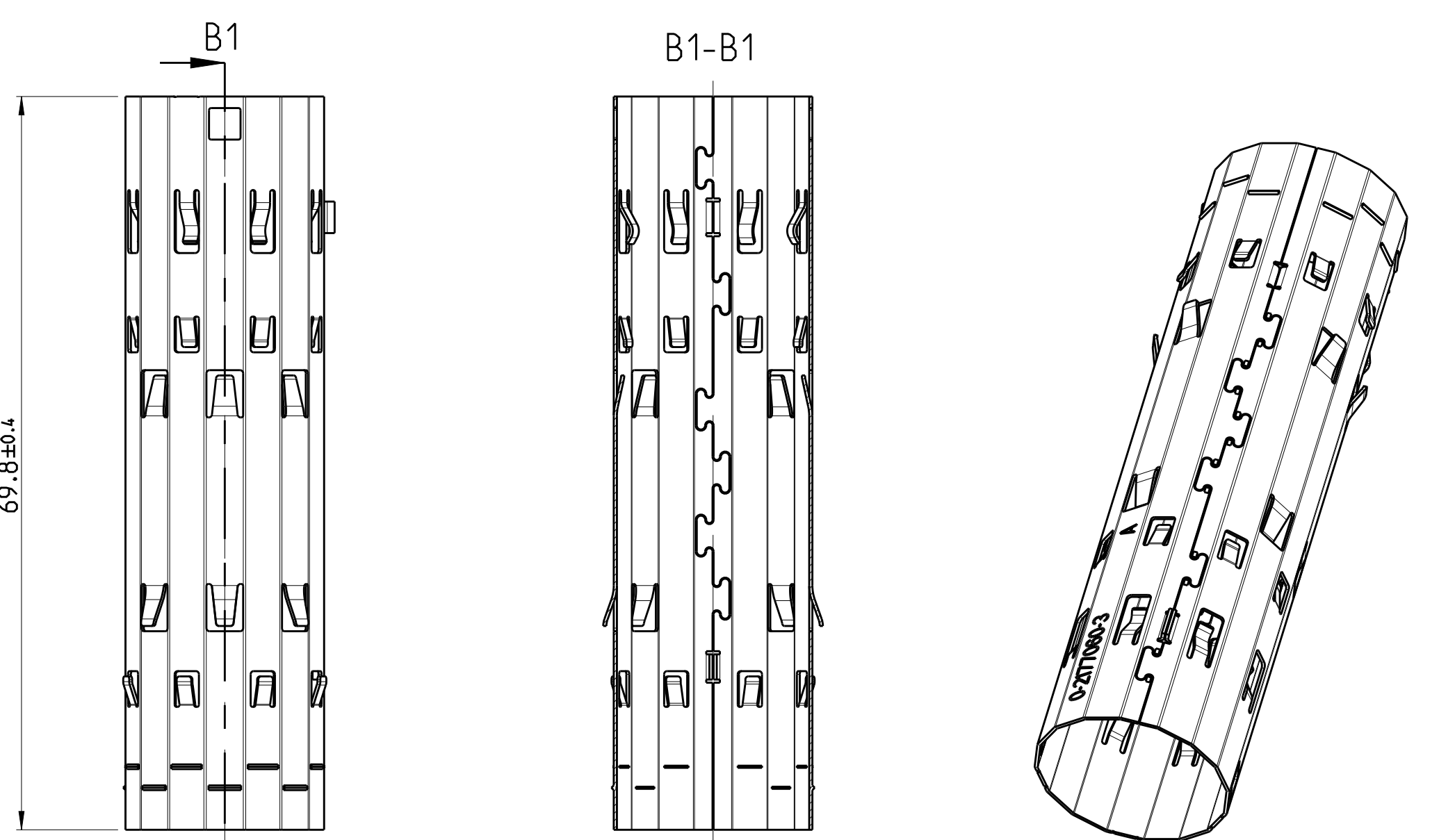


| POS | DESCRIPTION  |
|-----|--|
| 1   | 2POS, 8MM HV, REC HSG, 180°, ASSY, SEALED<br>2pol. gedichtete Assy, 8mm HV, 180° |

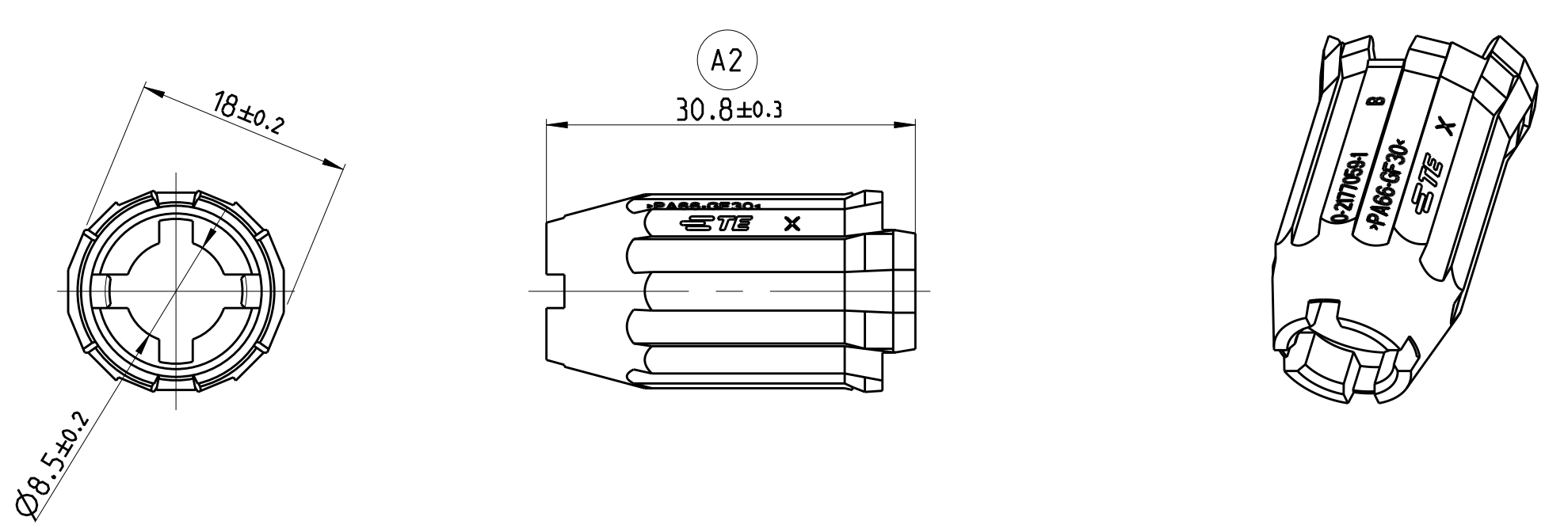


|                |             |
|----------------|-------------|
| 0-2177592-1    | 13.7        |
| 0-2177590-1    | 12.63       |
| 0-2177473-1    | 10.3        |
| 0-2177594-1    | 8.85        |
| TE-ORDER-NO.   | DIMENSION A |
| TE-Bestell-Nr. | Mass A      |

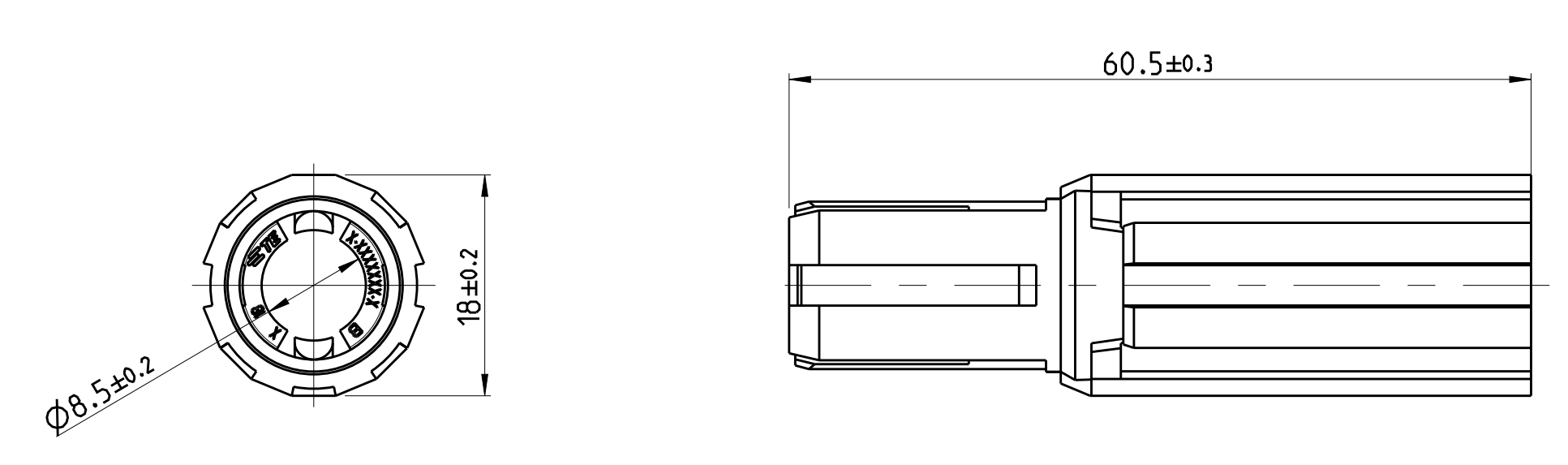
| POS | DESCRIPTION                             |
|-----|---|
| 2   | TURNED CONTACT 180°<br>Drehkontakt 180° |



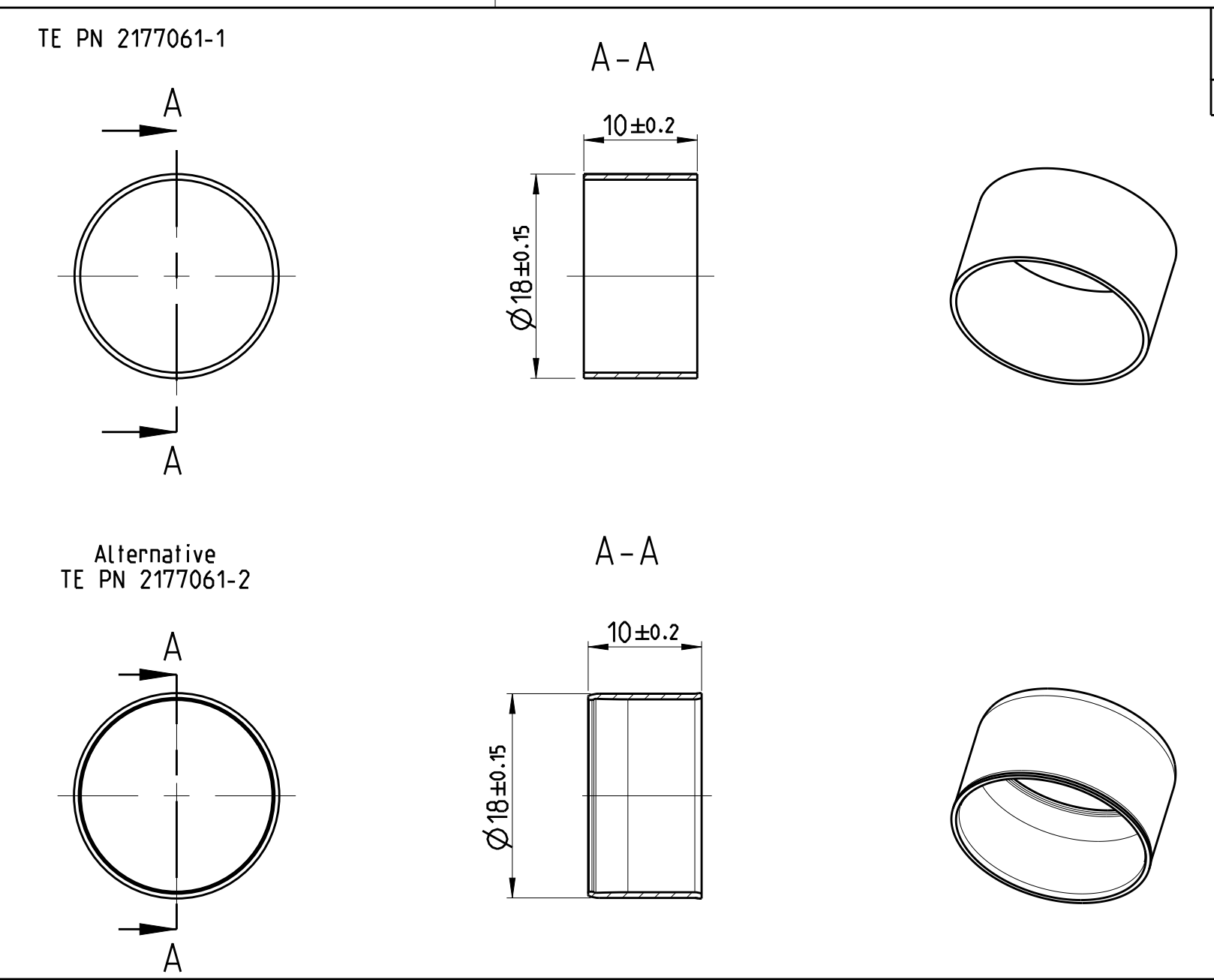
| POS | DESCRIPTION                                 |
|-----|---|
| 3   | SHIELDING SLEEVE, 180°<br>Schirmhülse, 180° |



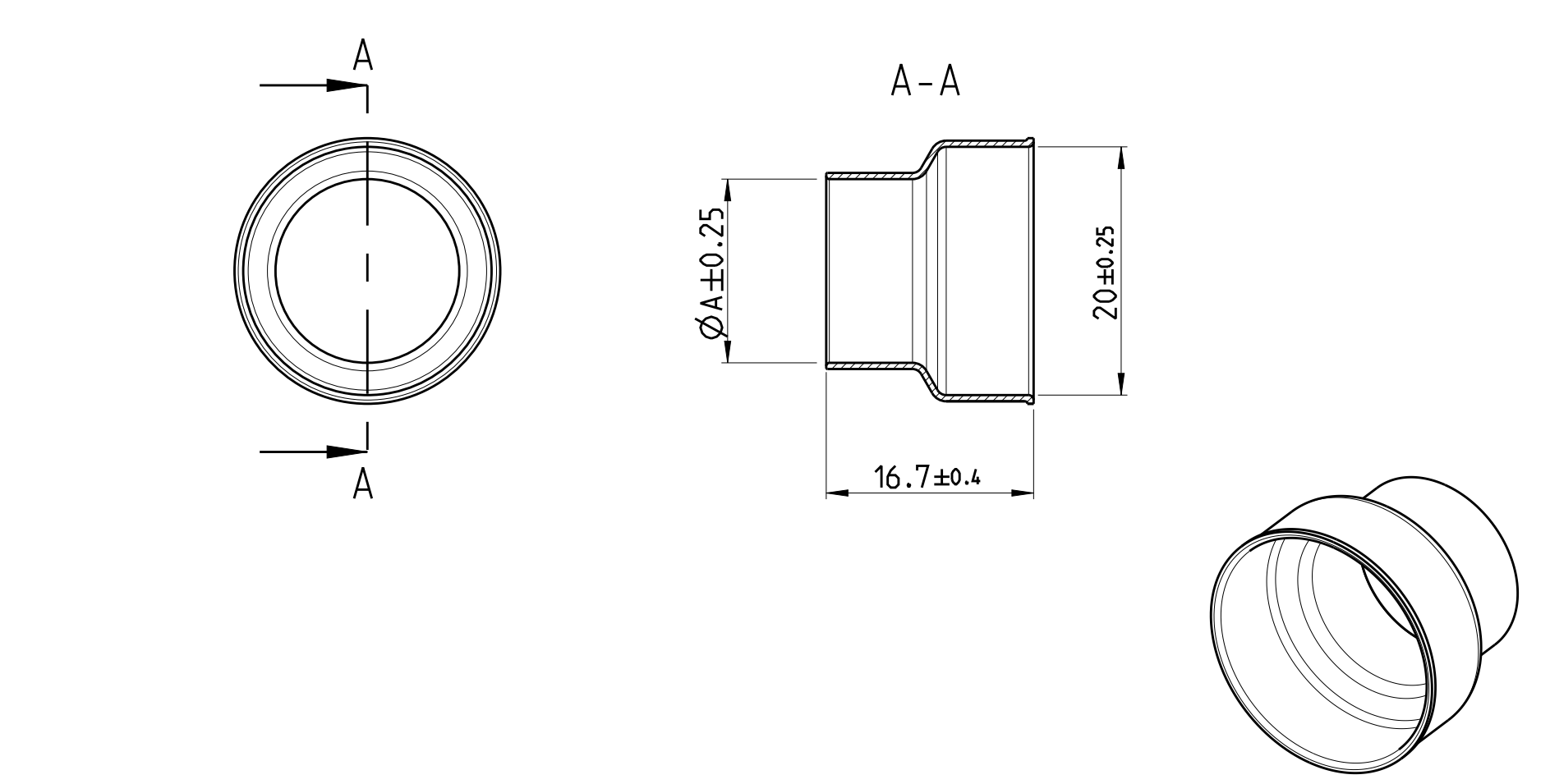
| POS | DESCRIPTION  |
|-----|--|
| 4   | FINGER PROT CAP 8MM HV, 180°<br>Fingerschutzkappe 8mm HV, 180° |



| POS | DESCRIPTION                                     |
|-----|---|
| 5   | INSULATION INSERT 180°<br>Isolationskörper 180° |

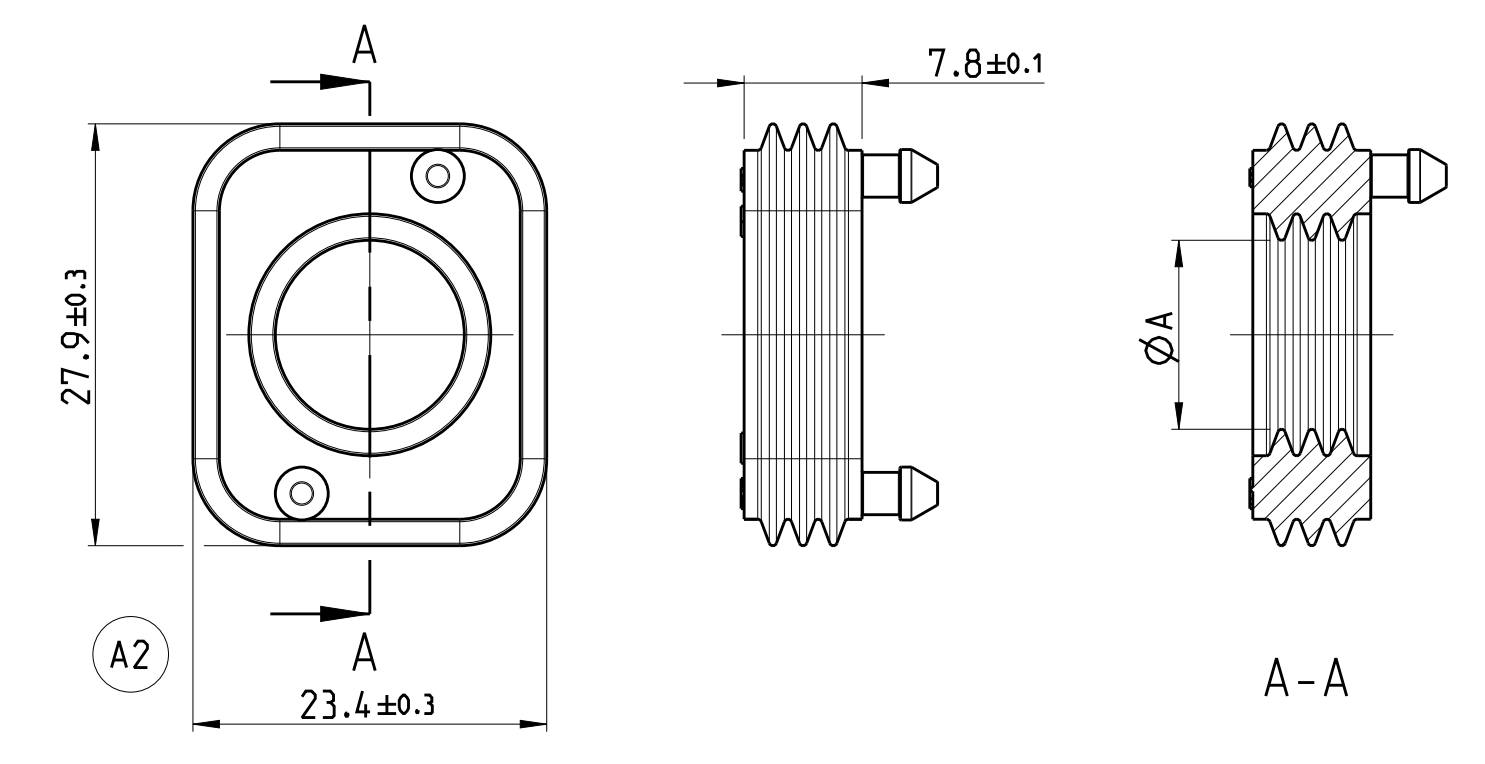


| POS | DESCRIPTION                                     |
|-----|---|
| 6   | SHIELD CRIMP FERRULE, INNER<br>Untercrimpbüchse |



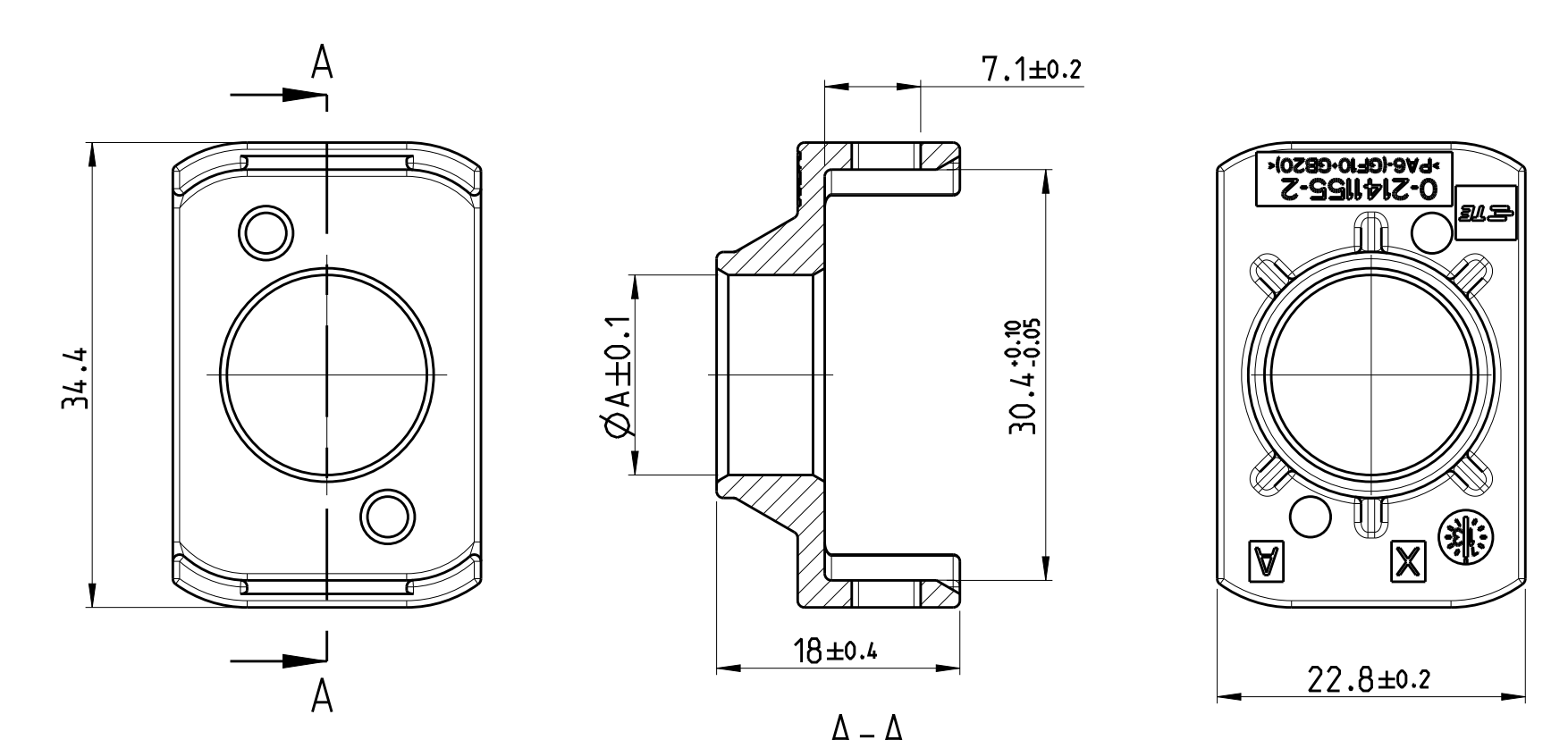
|                |             |
|----------------|-------------|
| 0-2177090-3    | 12.5        |
| 0-2177090-2    | 14.8        |
| 0-2177090-1    | 16.2        |
| TE-ORDER-NO.   | DIMENSION A |
| TE-Bestell-Nr. | Mass A      |

| POS | DESCRIPTION                                |
|-----|--|
| 7   | SHIELD CRIMP SLEEVE<br>Schirm, Crimpbüchse |



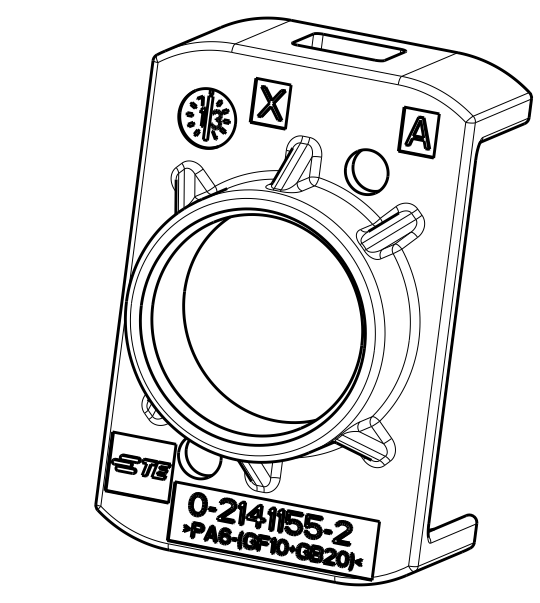
|                |             |
|----------------|-------------|
| 0-2141156-4    | 8.6         |
| 0-2141156-3    | 10.6        |
| 0-2141156-2    | 12.8        |
| 0-2141156-1    | 13.6        |
| TE-ORDER-NO.   | DIMENSION A |
| TE-Bestell-Nr. | Mass A      |

| POS | DESCRIPTION   |
|-----|---|
| 8   | SINGLE WIRE SEAL, 8MM HV, 90°<br>Kabeldichtung einzeln, 8mm HV, 90° |



|                |             |
|----------------|-------------|
| 0-2141155-4    | 10.6        |
| 0-2141155-3    | 12.6        |
| 0-2141155-2    | 14.8        |
| 0-2141155-1    | 16.2        |
| TE-ORDER-NO.   | DIMENSION A |
| TE-Bestell-Nr. | Mass A      |

| POS | DESCRIPTION  |
|-----|--|
| 9   | PROTEC. COVER 8MM HV, 90°<br>Abdeckkappe 8mm HV, 90° |



TOLERANZ EN ISO 8015  
TOLERANZ EN ISO 8015

THIS DRAWING IS A CONTROLLED DOCUMENT.  
DIMENSIONING AND TOLERANCING PER GPS ISO STANDARDS.

DATE: 19DEC2014  
BY: J. Tobochnik  
CHK: D. H. Vu  
APP: A. Kellert  
PRODUCT SPEC: 19DEC2014  
REVISION: 1  
APPLICATION SPEC: VERMINTUNGSPROT.  
MATERIAL: -  
REQUISIT: -  
FIRST APPROVAL: -  
Customer Drawing

TE Connectivity  
2POS 8MM HV KIT, 180DEG, SEALED  
2pol 8mm HV Kit, 180Grad, gedichtet  
OVERVIEW / Ubersicht, ASSY

SCALE: 1:1  
SHEET: 2 OF 2  
REV: A3