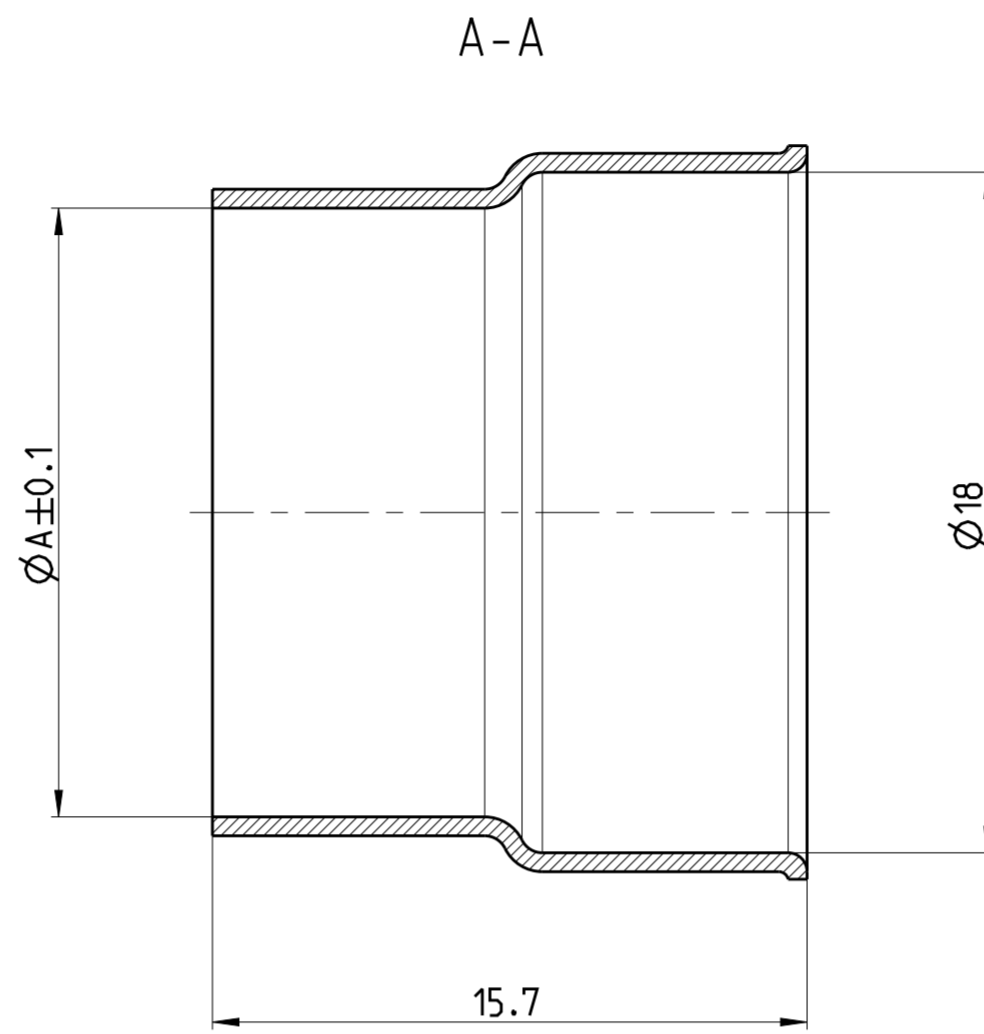
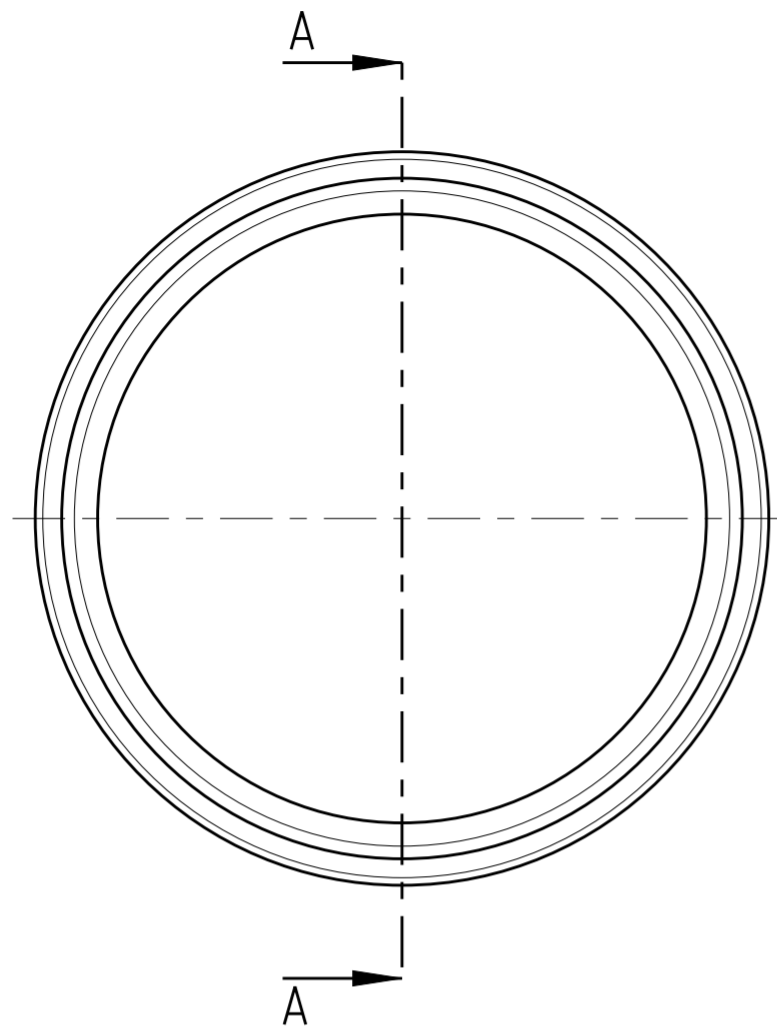


REVISIONS					
P	LTR	DESCRIPTION	DATE	DWN	APVD
A2		DRAWING UPDATED	01OCT2013	W SA	W BA
B		TABLE UPDATED	19AUG2015	W SA	DHV
B1		TABLE UPDATED	02MAR2016	W SA	DHV
B2		New PN 9-2141157-6 added in table	08MAY2019	JJH	TSV

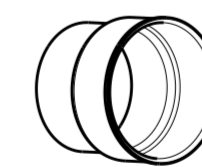


- 1 ONLY THE GERMAN LANGUAGE IS AUTHORITATIVE
Massgebend ist der deutsche Text
- 2 PACKAGING: BULK PACKAGING IN PLASTIC BAG AND SHIPPING BOX
Verpackung: Schuetftgut in Folienbeutel und Versandkarton

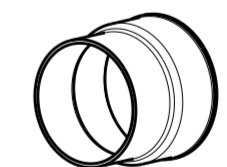
NOTE Bem.	FEATURE Merkmal	TE-PART-NO. TE-Teile-Nr.
3	PART OF 2 POS. 8MM HV. REC HSG. KIT. 90DEG. SEALED Komponente von 2 pol. gedichtetes KIT. 8mm HV. 90Grad	2141160 2282334
4	PART OF 3 POS. 8MM HV. REC HSG. KIT. 90DEG. SEALED Komponente von 3 pol. gedichtetes KIT. 8mm HV. 90Grad	2141167 2282335
5	PRODUCT-SPEC. Produkt-Spez.	108-94268
6	APPLICATION SPEC. Verarbeitungsspez.	114-94052

9-2141157-6	SHIELD CRIMP FERRULE.90DEG Crimphuelse. 90Grad	15.6	50mm ² General Cable Prestolite ES-2364 for FCA Specific	CU - ALLOY	4.41	BLANK blank
9-2141157-5	SHIELD CRIMP FERRULE.90 DEG FOR HUBER & SUHNER CABLE Crimphuelse. 90 Grad fuer HUBER & SUHNER Kabel	13.1	35mm ² HUBER & SUHNER	CU - ALLOY	3.8	BLANK blank
9-2141157-4	SHIELD CRIMP FERRULE.90DEG Crimphuelse. 90Grad	10.5	16	CU - ALLOY	3.8	BLANK blank
9-2141157-3	SHIELD CRIMP FERRULE.90DEG Crimphuelse. 90Grad	12.5	25	CU - ALLOY	3.8	BLANK blank
9-2141157-2	SHIELD CRIMP FERRULE.90DEG Crimphuelse. 90Grad	14.7	35	CU - ALLOY	3.8	BLANK blank
9-2141157-1	SHIELD CRIMP FERRULE.90DEG Crimphuelse. 90Grad	16.1	50	CU - ALLOY	3.8	BLANK blank
TE-PART NO. TE-Teile-Nr.	DESCRIPTION Benennung	DIMENSION $\varnothing A$ Mass $\varnothing A$	FOR/fuer WIRE SIZE (mm ²) ACCORDING LV216 Leitungsquerschnitt (mm ²)	MATERIAL	WEIGHT Gewicht [g]	SURFACE Oberflaeche

B2



1:1



1:1

9- -1 AS SHOWN
wie gezeichnet

THIS DRAWING IS A CONTROLLED DOCUMENT.

DWN	W. Saenger	28 JUN 2011
CHK	U. Hoepfner	29 JUL 2011
APVD	W. Balles	25 JUL 2011

TE Connectivity

NAME SHIELD CRIMP FERRULE.90DEG
Crimphuelse. 90Grad

SIZE A2 CAGE CODE 00779 DRAWING NO. C-2141157 RESTRICTED TO

CUSTOMER DRAWING SCALE 5:1 SHEET 1 OF 1 REV B2