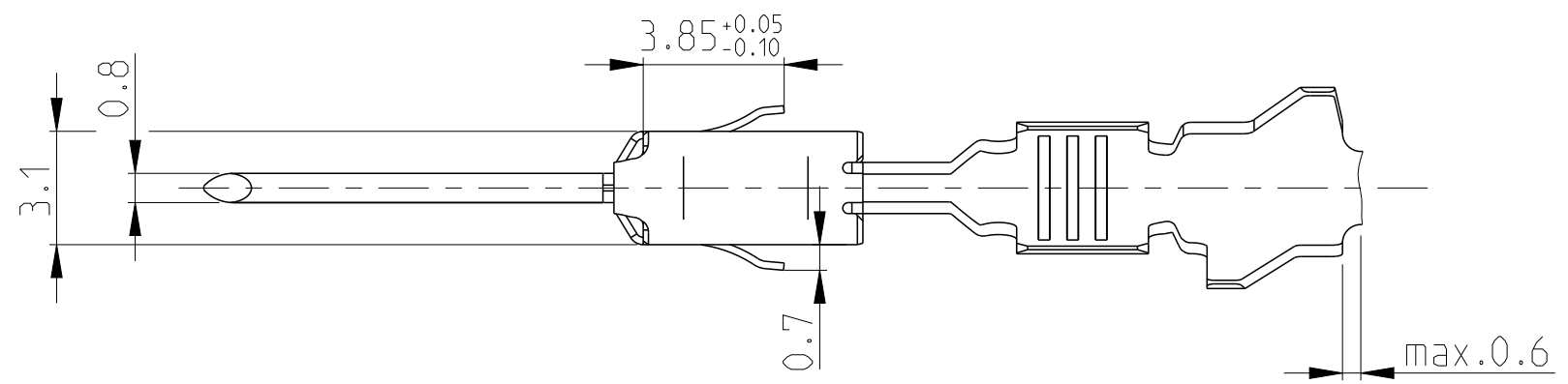
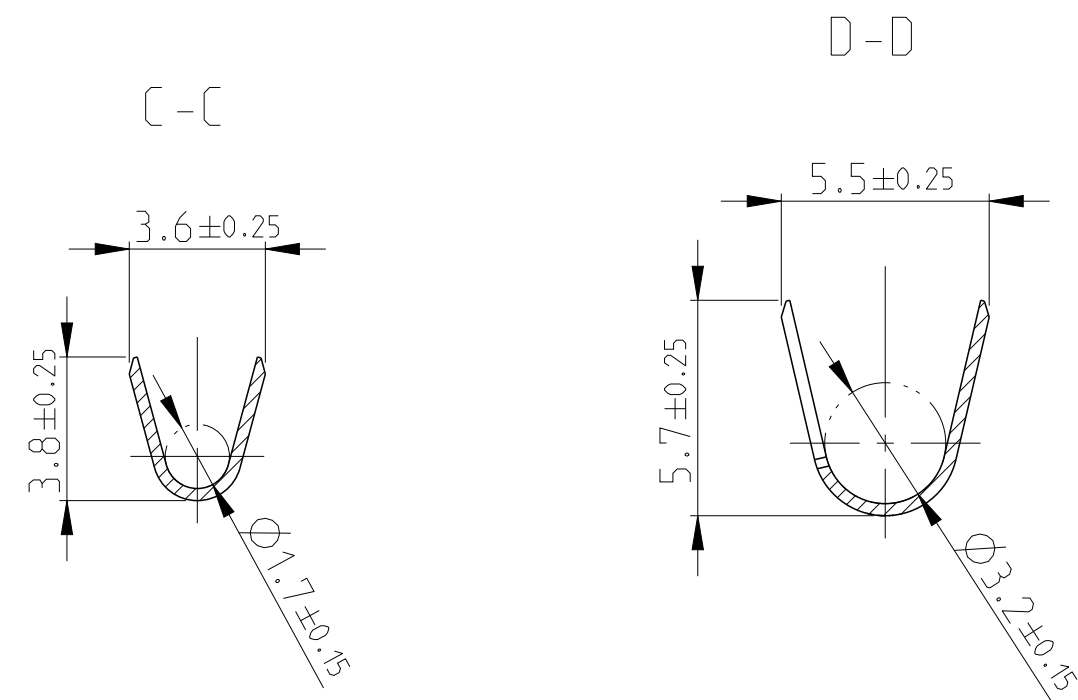
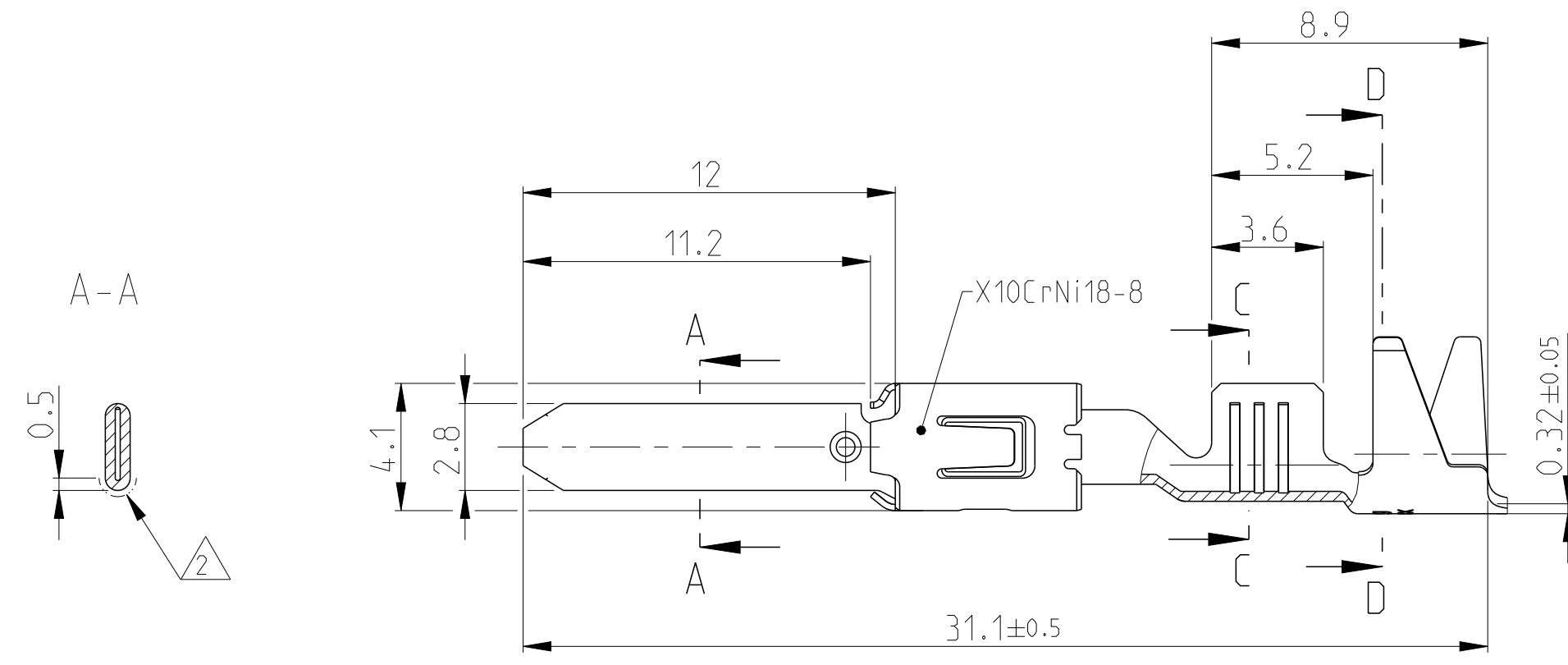


THIS DRAWING IS UNPUBLISHED. RELEASED FOR PUBLICATION 2011
 © COPYRIGHT 2011 Tyco Electronics AMP GmbH ALL RIGHTS RESERVED.

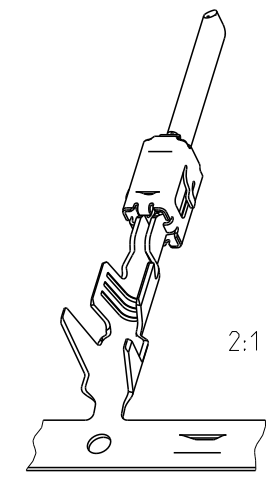
| LOC | | DIST | | REVISIONS | | | |
|-----|-----|----------------------|-----------|-----------|-------|--|--|
| P | LTR | DESCRIPTION | DATE | DWN | APVD | | |
| A | - | New drawing created. | 07DEC2011 | Kirs. | Schus | | |
| A1 | - | Loose Piece removed | 12SEP2016 | BREN | MERZ | | |



NOTES
 Bemerkungen

1 CONTACT AREA PRE SILVER MIN. 3µm
 CANTILEVER SPRING PLAIN
 Kontaktzone vorversilbert min. 3µm
 Ueberfeder blank

2 ----- IN THIS AREA CRACK SHAPING AT THE SURFACE PERMISSIBLE
 In diesem Bereich Rissbildung in der Oberflaeche zulaessig



| | | | | | | | |
|---|--|--|--|----------------------------------|---------------------------|--------------------|--------------------------|
| WIRE RANGE >1.0-2.5 mm ² | | INS. RANGE 2.4-3.7 mm | | 1 | CuFe | 2-2141598-2 | A |
| | | | | SURFACE | MATERIAL | PART NO. | REV |
| THIS DRAWING IS A CONTROLLED DOCUMENT. | | | | DWN J.Kirschbaum 23MAY2011 | TE Connectivity | | |
| DIMENSIONS: mm | | TOLERANCES UNLESS OTHERWISE SPECIFIED: | | CHK M.Schuster 23MAY2011 | | | |
| | | 0-PLC 1-PLC 2-PLC 3-PLC 4-PLC ANGLES FINISH | | APVD M.Bleicher 24MAY2011 | PRODUCT SPEC 108-18063 | | RESTRICTED TO |
| MATERIAL | | | | APPLICATION SPEC 114-18051 | SIZE A2 | CAGE CODE 00779 | DRAWING NO. C-2141598 |
| | | | | WEIGHT - | SCALE 5:1 | | SHEET 1 OF 1 |
| | | | | CUSTOMER DRAWING | | REV A1 | |