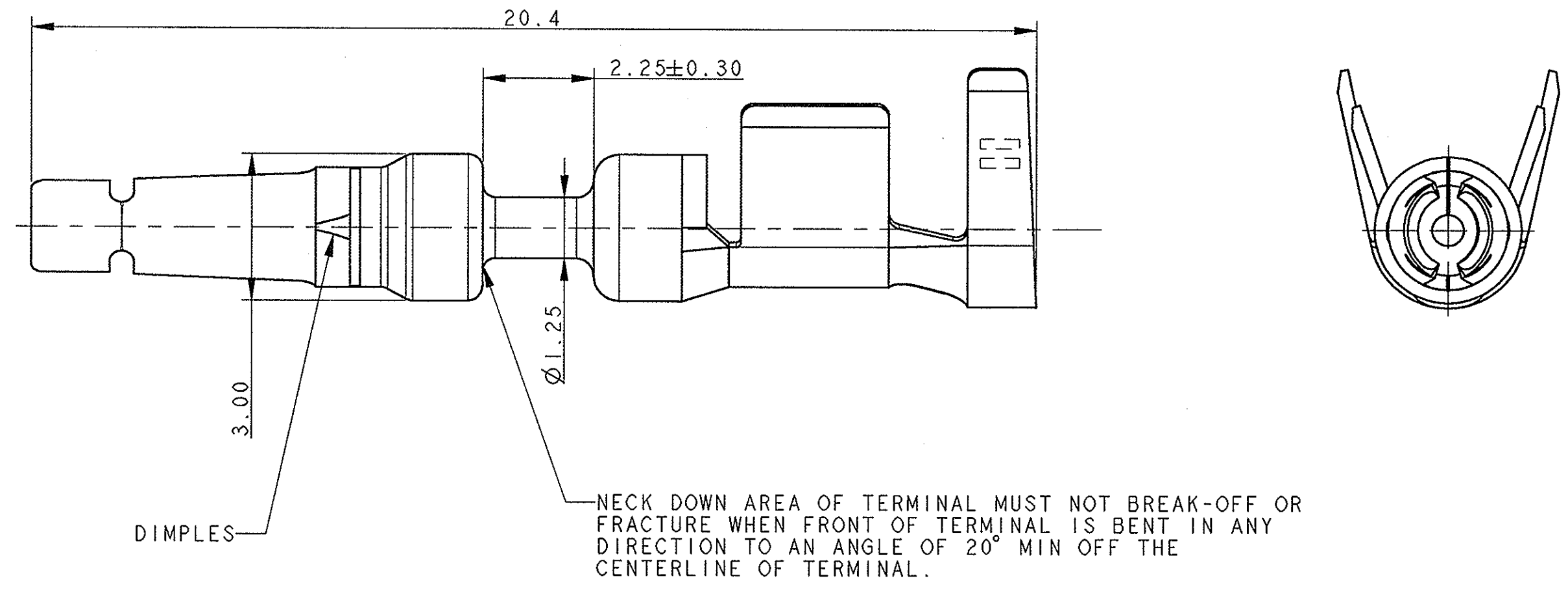


| LOC | DIST | REVISIONS                             |           |      |      |
|-----|------|---------------------------------------|-----------|------|------|
| P   | LF#  | DESCRIPTION                           | DATE      | OWN  | APVD |
| P   |      | REVISED AND REDRAWN FOR ECR-07-014697 | 02JUL2007 | M.P. | R.M  |
| P1  |      | REVISED PER ECO-19-008278             | 30MAY19   | AP   | WN   |

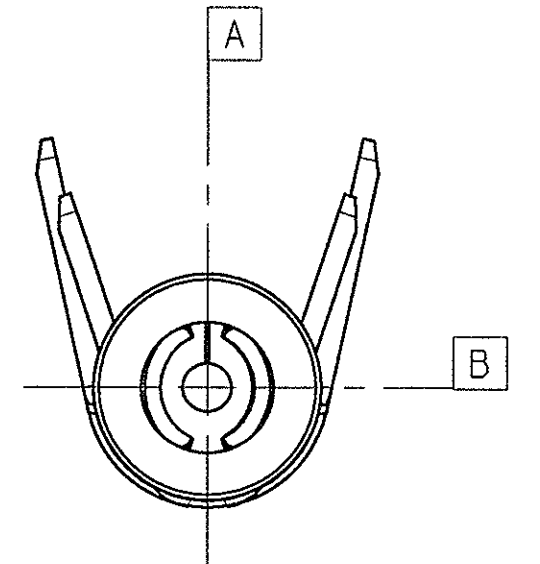
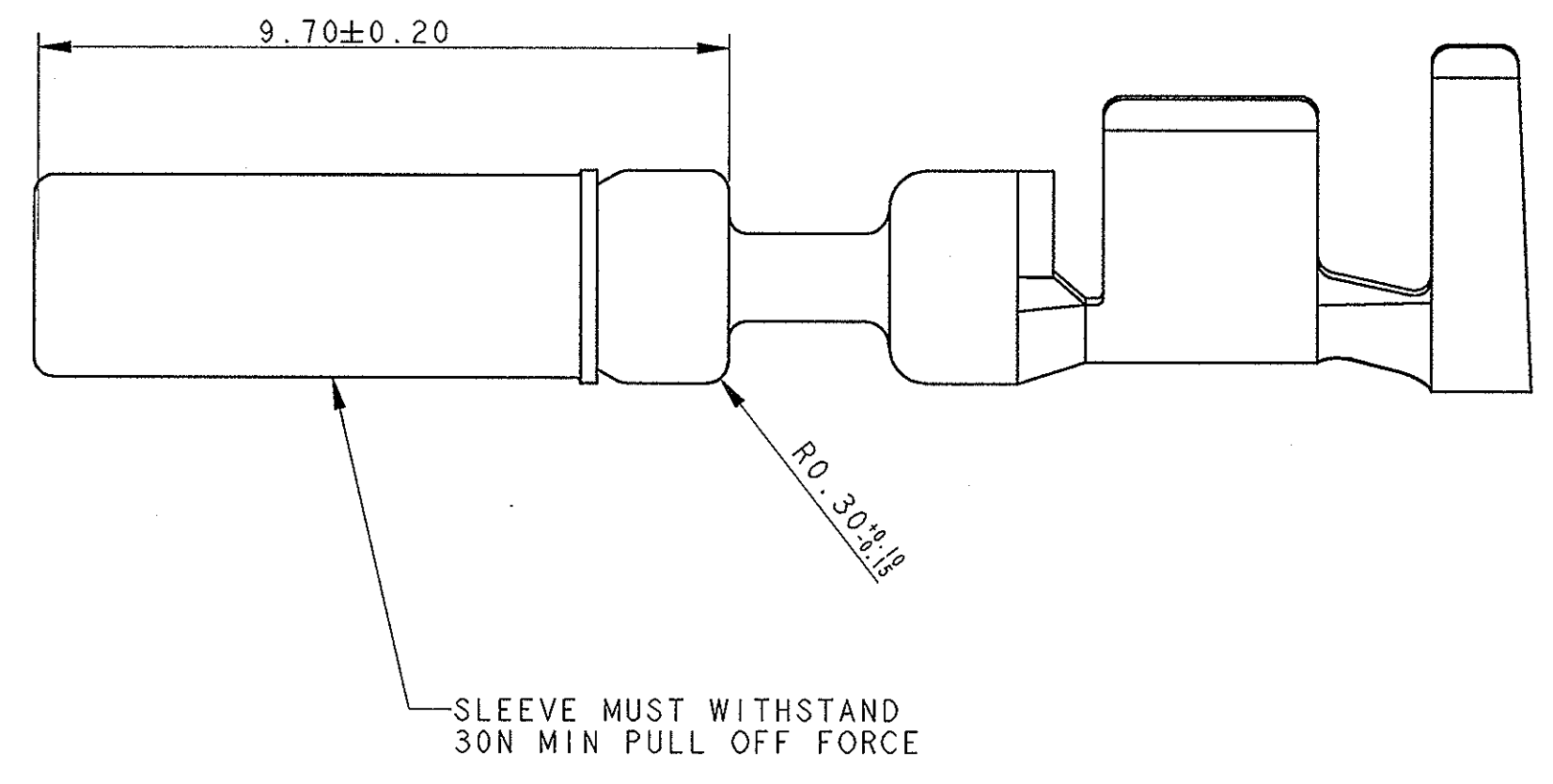
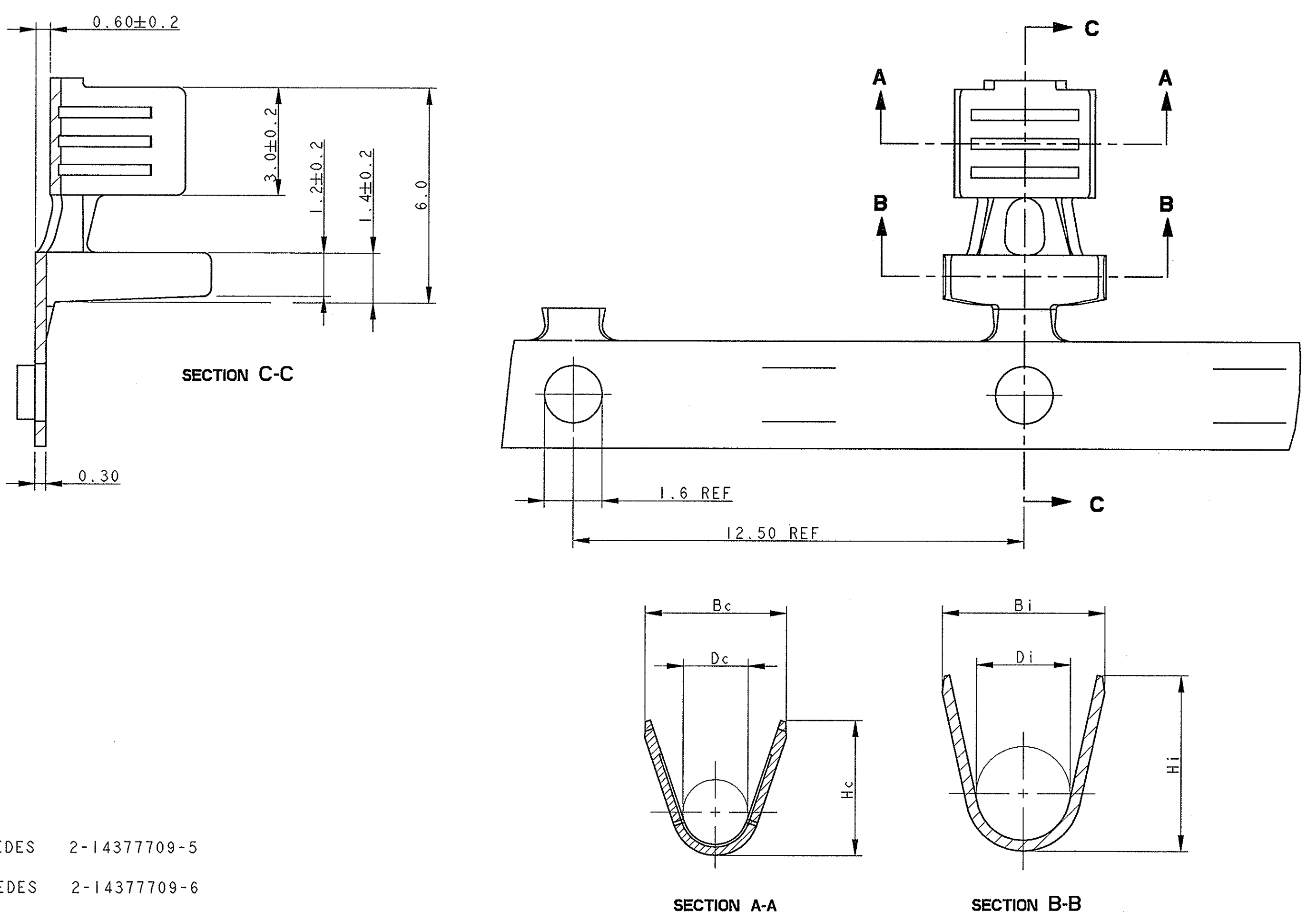
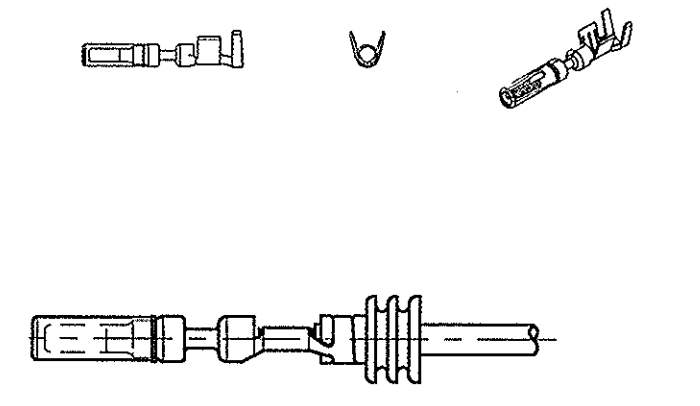


VIEW WITHOUT SLEEVE

| CRIMP TYPE | Bc            | Dc           | Hc            | Bi            | Di           | Hi            | CRIMP CODE |
|------------|---------------|--------------|---------------|---------------|--------------|---------------|------------|
| c          | 3.70<br>±0.15 | 1.80<br>±0.2 | 3.90<br>±0.15 | 4.70<br>±0.15 | 2.60<br>±0.2 | 4.90<br>±0.15 | ☐          |
| b          | 2.60<br>±0.15 | 1.20<br>±0.2 | 2.90<br>±0.15 | 3.60<br>±0.15 | 2.00<br>±0.2 | 4.00<br>±0.15 | ☐          |
| a          | 2.00<br>±0.15 | 0.80<br>±0.2 | 2.20<br>±0.15 | 2.80<br>±0.15 | 1.60<br>±0.2 | 3.00<br>±0.15 | ☐          |

FULL SIZE VIEWS  
SCALE 1.000

FULL ASSY VIEW  
WATERPROOF  
SCALE 2.000



- 1 SUPERSEDES 2-1437709-5
- 2 SUPERSEDES 2-1437709-6
- 3 SUPERSEDES 2-1437709-7

| PART AS SUPPLIED |           |                          |            |                          |            |             | COMPONENTS |          |        | MATERIALS |                                     |                          | COMPONENTS SUPPLIED APART |                               | TO FIT IN CAVITY |                        |
|------------------|-----------|--------------------------|------------|--------------------------|------------|-------------|------------|----------|--------|-----------|-------------------------------------|--------------------------|---------------------------|-------------------------------|------------------|------------------------|
| P/N              | PART REV. | DESCRIPTION              | WATERPROOF | WIRE CROSS SEC. AREA     | CRIMP CODE | CRIMP SPEC. | WEIGHT     | TERMINAL | SLEEVE | WIRE SEAL | TERMINAL                            | SLEEVE                   | GREASE                    | WIRE SEAL                     | TYPE             | DESCRIPTION            |
| 1-1437709-4      |           | TERMINAL FEMALE TIN PLT. | YES        | 0.22-0.35mm <sup>2</sup> | ☐          |             | 0.402gr.   | I        | I      | SEE CHART | DIN 17670 (CuSn6) TIN PLATED BRIGHT | ALLOY 230 RICH LOW BRASS | LITHIUM SOAP ZINC OXIDE   | 1-1437713-1 (0.22-0.35) BLACK | AC/T/19/95       | CAVITY TERMINAL FEMALE |
| 1-1437709-5      | B         | TERMINAL FEMALE TIN PLT. |            | 0.50-1.00mm <sup>2</sup> | ☐          |             | 0.422gr.   | I        | I      |           |                                     |                          |                           | 1-1437713-2 (0.50-1.00) RED   |                  |                        |
| 1-1437709-6      |           | TERMINAL FEMALE TIN PLT. |            | 1.50-2.50mm <sup>2</sup> | ☐          |             | 0.443gr.   | I        | I      |           |                                     |                          |                           | 1-1437713-3 (1.50) BLUE       |                  |                        |
| 1-1437709-4      | B         | TERMINAL FEMALE TIN PLT. | NO         | 0.22-0.35mm <sup>2</sup> | ☐          | AC/T/18/95  | 0.402gr.   | I        | I      | NOT USED  |                                     |                          |                           |                               |                  |                        |
| 2-1437709-8      | P         | TERMINAL FEMALE TIN PLT. |            | 0.50-1.00mm <sup>2</sup> | ☐          |             | 0.422gr.   | I        | I      |           |                                     |                          |                           |                               |                  |                        |
| 1-1437709-5      | B         | TERMINAL FEMALE TIN PLT. |            | 0.50-1.00mm <sup>2</sup> | ☐          |             | 0.422gr.   | I        | I      |           |                                     |                          |                           |                               |                  |                        |
| 1-1437709-6      | B         | TERMINAL FEMALE TIN PLT. |            | 1.50-2.50mm <sup>2</sup> | ☐          |             | 0.443gr.   | I        | I      |           |                                     |                          |                           |                               |                  |                        |

TE Connectivity

1,6 SYSTEM TERMINAL FEMALE TIN PLATED

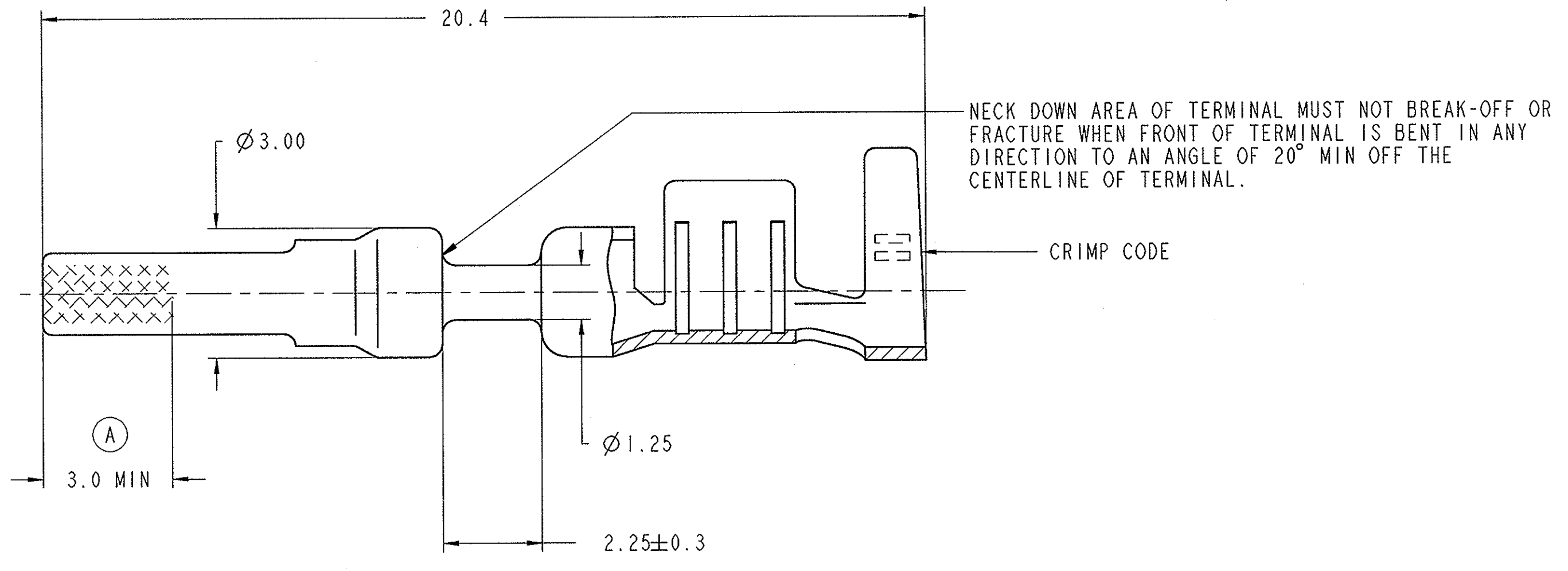
DATE: 20JUN2007  
 DWN: M. PALMA  
 CHK: R. MARTINI  
 APVD: A. GENTA

PRODUCT SPEC: 108-20260  
 APPLICATION SPEC: 114-20121

SIZE: A11  
 CAGE CODE: 00779  
 DRAWING NO: 1418069

SCALE: 10:1  
 SHEET: 1 of 2  
 REV: P1

| LOC | DIST | REV | DESCRIPTION   | DATE | BY | APPV |
|-----|------|-----|---------------|------|----|------|
| A1  | -    | -   | -SEE SHEET 1- | -    | -  | -    |

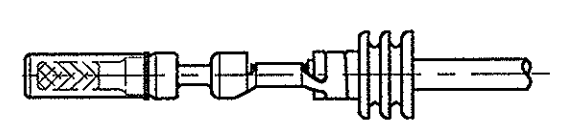


| CRIMP TYPE | CRIMP AREA DIMENSION |               |              |               |               |              | CRIMP CODE    |  |
|------------|----------------------|---------------|--------------|---------------|---------------|--------------|---------------|--|
|            | Bc                   | Dc            | Hc           | Bi            | Di            | Hi           |               |  |
| I          | c                    | 3.70<br>±0.15 | 1.80<br>±0.2 | 3.90<br>±0.15 | 4.70<br>±0.15 | 2.60<br>±0.2 | 4.90<br>±0.15 |  |
|            | b                    | 2.60<br>±0.15 | 1.20<br>±0.2 | 2.90<br>±0.15 | 3.60<br>±0.15 | 2.00<br>±0.2 | 4.00<br>±0.15 |  |
|            | a                    | 2.00<br>±0.15 | 0.80<br>±0.2 | 2.20<br>±0.15 | 2.80<br>±0.15 | 1.60<br>±0.2 | 3.00<br>±0.15 |  |

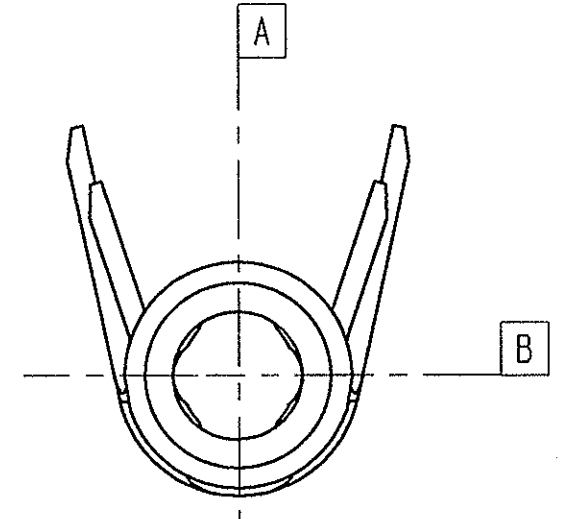
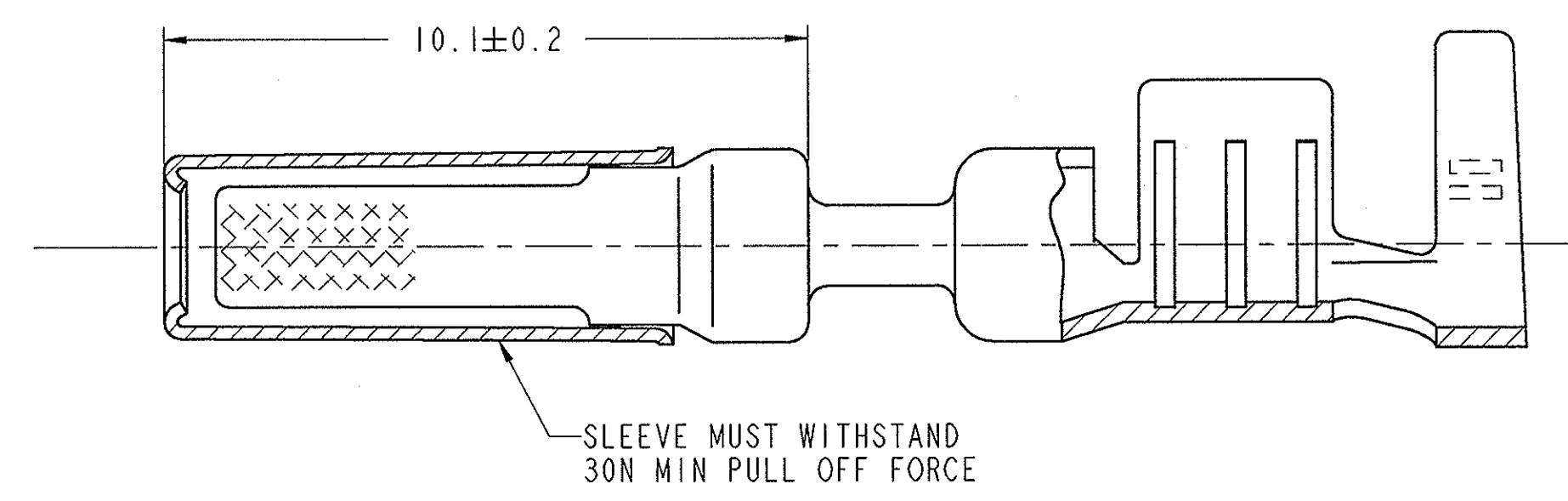
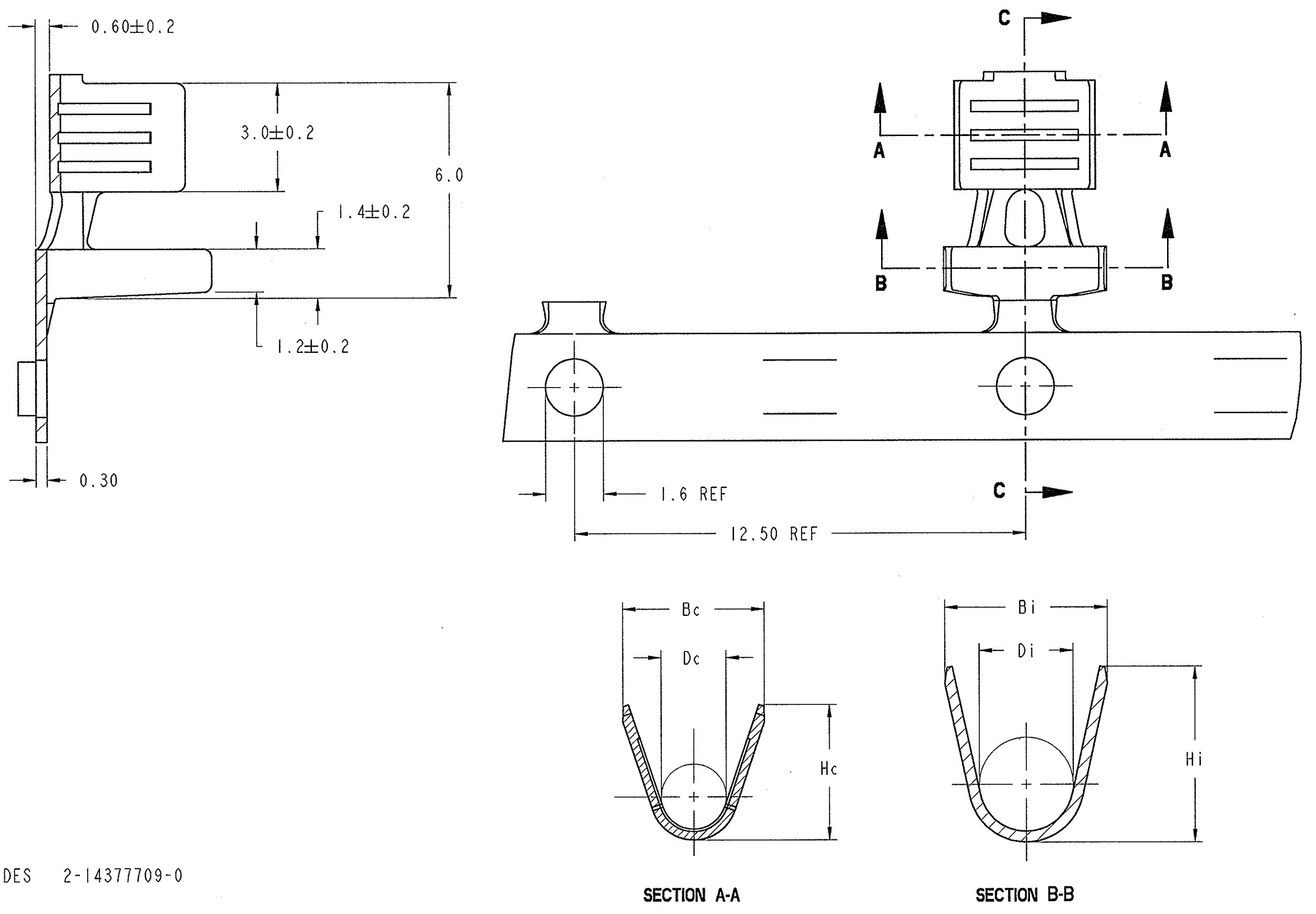
**FULL SIZE VIEWS**  
SCALE 1.000



**FULL ASSY VIEW WATERPROOF**  
SCALE 2.000



**SECTION C-C**



- 1 SUPERSEDES 2-1437709-0
- 2 SUPERSEDES 2-1437709-1
- 3 1-1437709-7 - OBSOLETE

| PART AS SUPPLIED |           |                           |            |                          |            |             |          | COMPONENTS |        |           | MATERIALS                   |                          |  | COMPONENTS SUPPLIED APART     |            | TO FIT IN CAVITY       |  |
|------------------|-----------|---------------------------|------------|--------------------------|------------|-------------|----------|------------|--------|-----------|-----------------------------|--------------------------|--|-------------------------------|------------|------------------------|--|
| P/N              | PART REV. | DESCRIPTION               | WATERPROOF | WIRE CROSS SEC. AREA     | CRIMP CODE | CRIMP SPEC. | WEIGHT   | TERMINAL   | SLEEVE | WIRE SEAL | TERMINAL                    | SLEEVE                   | GREASE                                     | WIRE SEAL                     | TYPE       | DESCRIPTION            |  |
| 0-1437709-9      |           | TERMINAL FEMALE GOLD PLT. |            | 0.22-0.35mm <sup>2</sup> |            |             | 0.402gr. | I          | I      | SEE CHART | DIN 17670 (CuSn6)           | ALLOY 230 RICH LOW BRASS | INORGANIC GELLED SYNTHETIC HYDROCARBON OIL | 1-1437713-1 (0.22-0.35) BLACK | AC/T/19/95 | CAVITY TERMINAL FEMALE |  |
| 1-1437709-0      | A         | TERMINAL FEMALE GOLD PLT. | YES        | 0.50-1.00mm <sup>2</sup> |            | AC/T/18/95  | 0.422gr. | I          | I      |           | 1-1437713-2 (0.50-1.00) RED |                          |  |                               |            |                        |  |
| 1-1437709-7      |           | TERMINAL FEMALE GOLD PLT. |            | 1.50-2.50mm <sup>2</sup> |            |             | 0.443gr. | I          | I      |           | 1-1437713-3 (1.50) BLUE     |                          |  |                               |            |                        |  |
| 0-1437709-9      |           | TERMINAL FEMALE GOLD PLT. |            | 0.22-0.35mm <sup>2</sup> |            |             | 0.402gr. | I          | I      | NOT USED  | (A)                         | ALLOY 230 RICH LOW BRASS | INORGANIC GELLED SYNTHETIC HYDROCARBON OIL |                               | AC/T/19/95 | CAVITY TERMINAL FEMALE |  |
| 1-1437709-0      | A         | TERMINAL FEMALE GOLD PLT. | NO         | 0.50-1.00mm <sup>2</sup> |            | AC/T/18/95  | 0.422gr. | I          | I      |           | TIN PLATED MATTE            |                          |  |                               |            |                        |  |
| 1-1437709-7      |           | TERMINAL FEMALE GOLD PLT. |            | 1.50-2.50mm <sup>2</sup> |            |             | 0.443gr. | I          | I      |           |                             |                          |  |                               |            |                        |  |

|                 |  |   |  |   |   |   |                  |
|-----------------|--|---|--|---|---|---|------------------|
| DIMENSIONS:<br> |  | TOLERANCES UNLESS OTHERWISE SPECIFIED:<br>0 PLC ±<br>1 PLC ±0.3<br>2 PLC ±0.1<br>3 PLC ±<br>4 PLC ±<br>ANGLES ±1°<br>FINISH - |  | OWN: M. PALMA 20 JUN 2007<br>CHK: R. MARTINI 20 JUN 2007<br>APVD: A. GENTA 20 JUN 2007<br>PRODUCT SPEC: 108-20260<br>APPLICATION SPEC: 114-20121<br>WEIGHT: -<br>CUSTOMER DRAWING | NAME:<br>SIZE: A1<br>CAGE CODE: 00779<br>DRAWING NO: 1418069<br>SCALE: 10:1<br>SHEET: 2 OF 2<br>REV: P1 | TE Connectivity<br>1,6 SYSTEM TERMINAL FEMALE GOLD PLATED | RESTRICTED TO: - |
|-----------------|--|---|--|---|---|---|------------------|